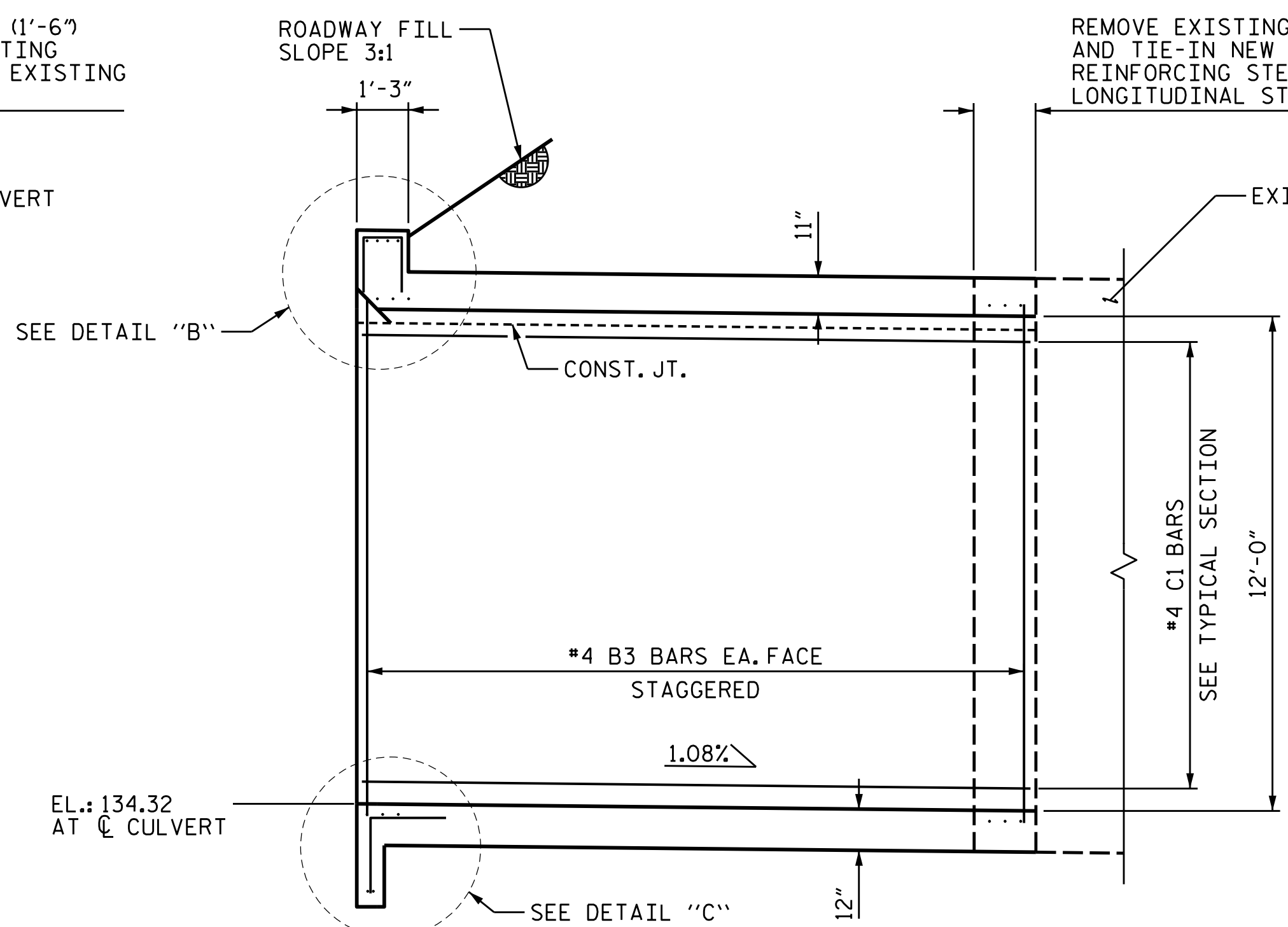
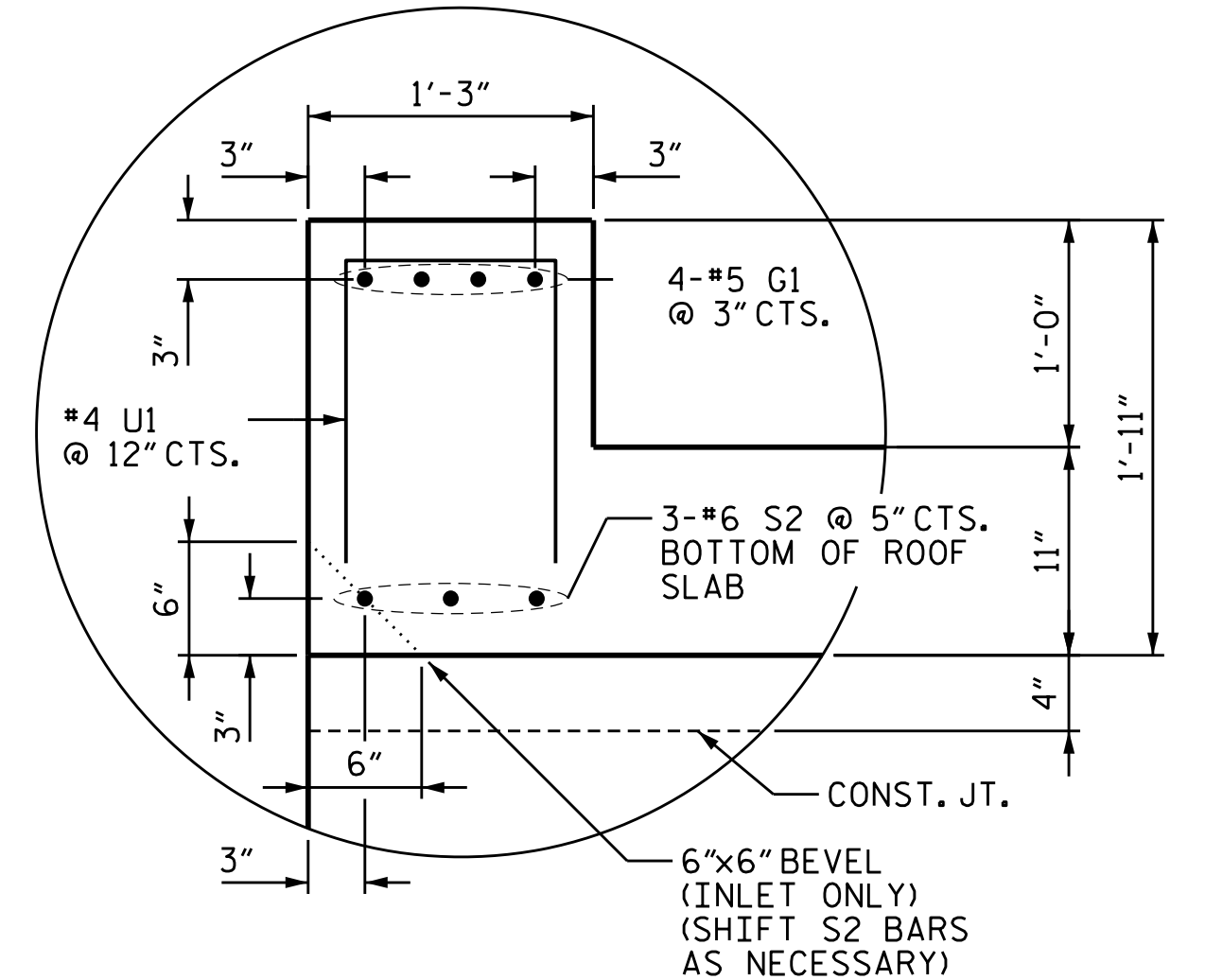


EXTERIOR WALL
CHAIN LINK FENCE NOT SHOWN FOR CLARITY

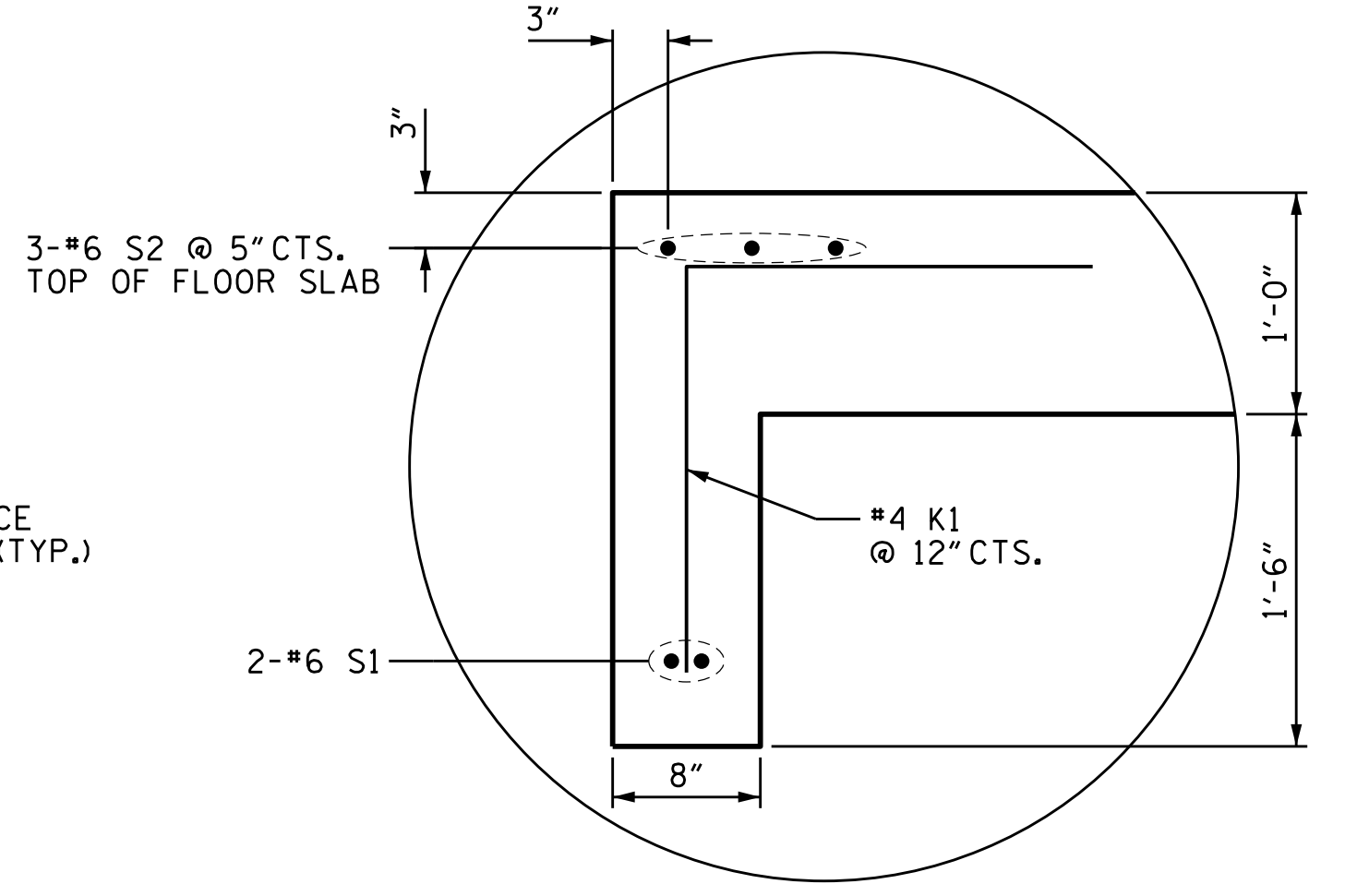


INTERIOR WALL
CHAIN LINK FENCE NOT SHOWN FOR CLARITY

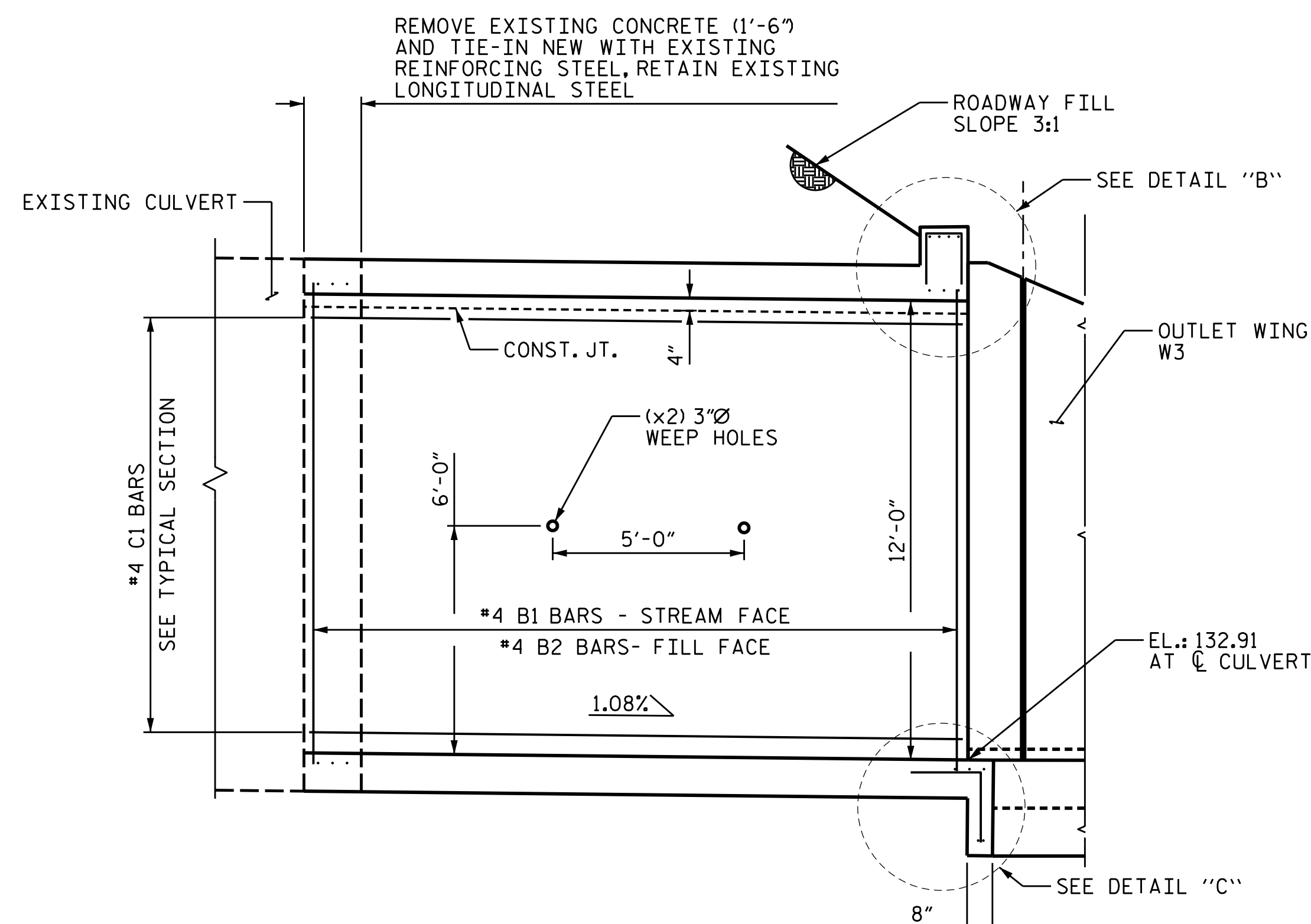
CULVERT SECTION NORMAL TO HEADWALL - INLET



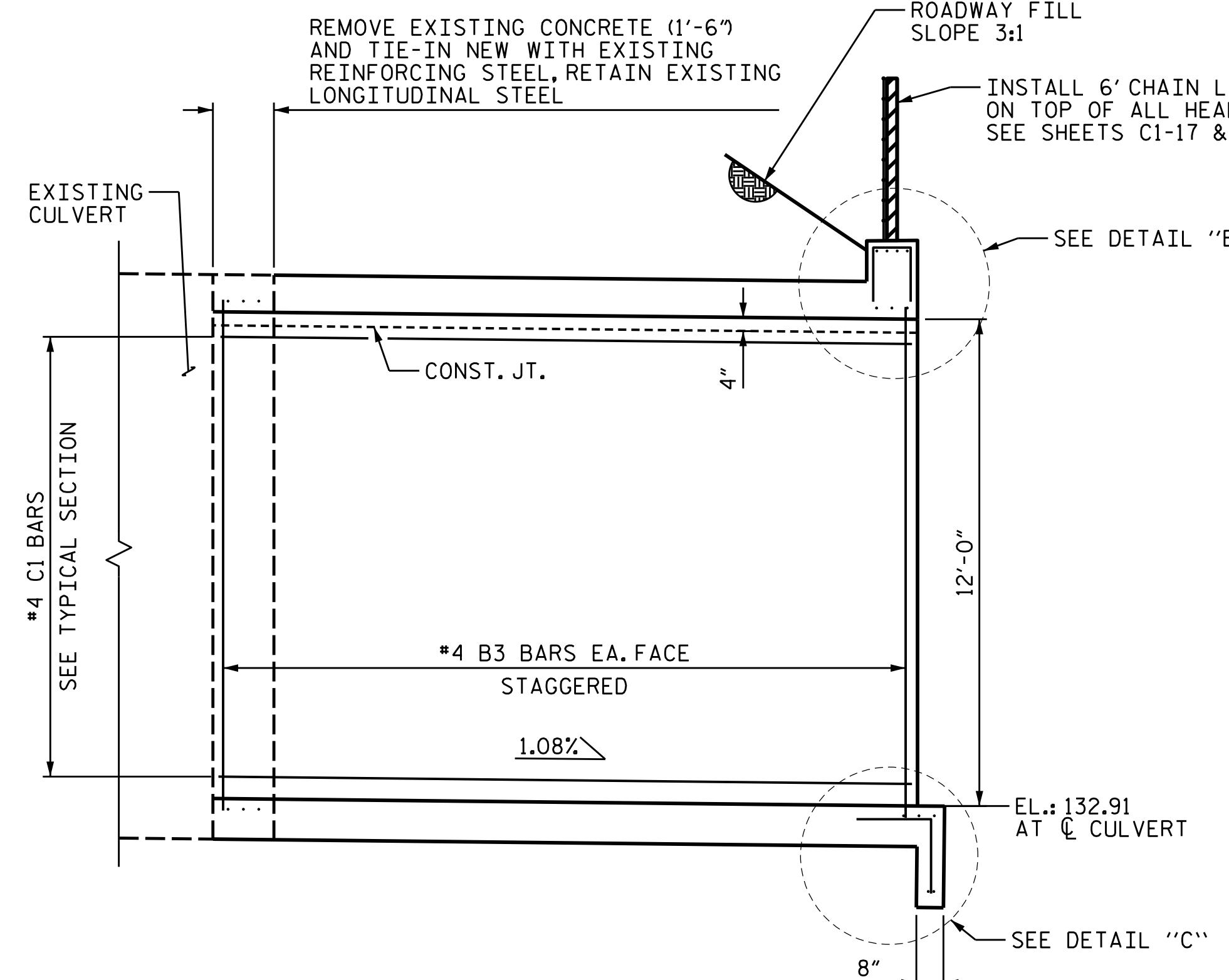
DETAIL "B"
HEADWALL REINFORCEMENT



DETAIL "C"
END CURTAIN WALL REINFORCEMENT



EXTERIOR WALL
CHAIN LINK FENCE NOT SHOWN FOR CLARITY



INTERIOR WALL

CULVERT SECTION NORMAL TO HEADWALL - OUTLET

I HEREBY CERTIFY THESE PLANS ARE THE AS-BUILT PLANS



DocuSigned by:
Jacob H. Duke
6/12/2018 1:26:37 PM PDT

PROJECT NO. U-4405
CUMBERLAND COUNTY
STATION: 137+99.59 -L-
SHEET 5 OF 18

STATE OF NORTH CAROLINA
DEPARTMENT OF TRANSPORTATION
RALEIGH
CULVERT EXTENSION
QUADRUPLE 10 FT. X 12 FT.
CONCRETE BOX CULVERT
CULVERT SECTION
NORMAL TO HEADWALL

| REVISIONS | | | | | | SHEET NO. |
|-----------|-----|-------|-----|-----|-------|--------------|
| NO. | BY: | DATE: | NO. | BY: | DATE: | C1-5 |
| 1 | | | 3 | | | TOTAL SHEETS |
| 2 | | | 4 | | | 18 |

KCA 4800 SIX FORKS ROAD SUITE 120
KISINGER CAMPO & ASSOCIATES RALEIGH, NC 27609
(919) 882-7839

DRAWN BY : DIEGO A. AGUIRRE DATE : 5-18-18
CHECKED BY : JACOB H. DUKE DATE : 5-22-18
DESIGN ENGINEER OF RECORD : JACOB H. DUKE DATE : 5-25-18

DOCUMENT NOT CONSIDERED
FINAL UNLESS ALL
SIGNATURES COMPLETED