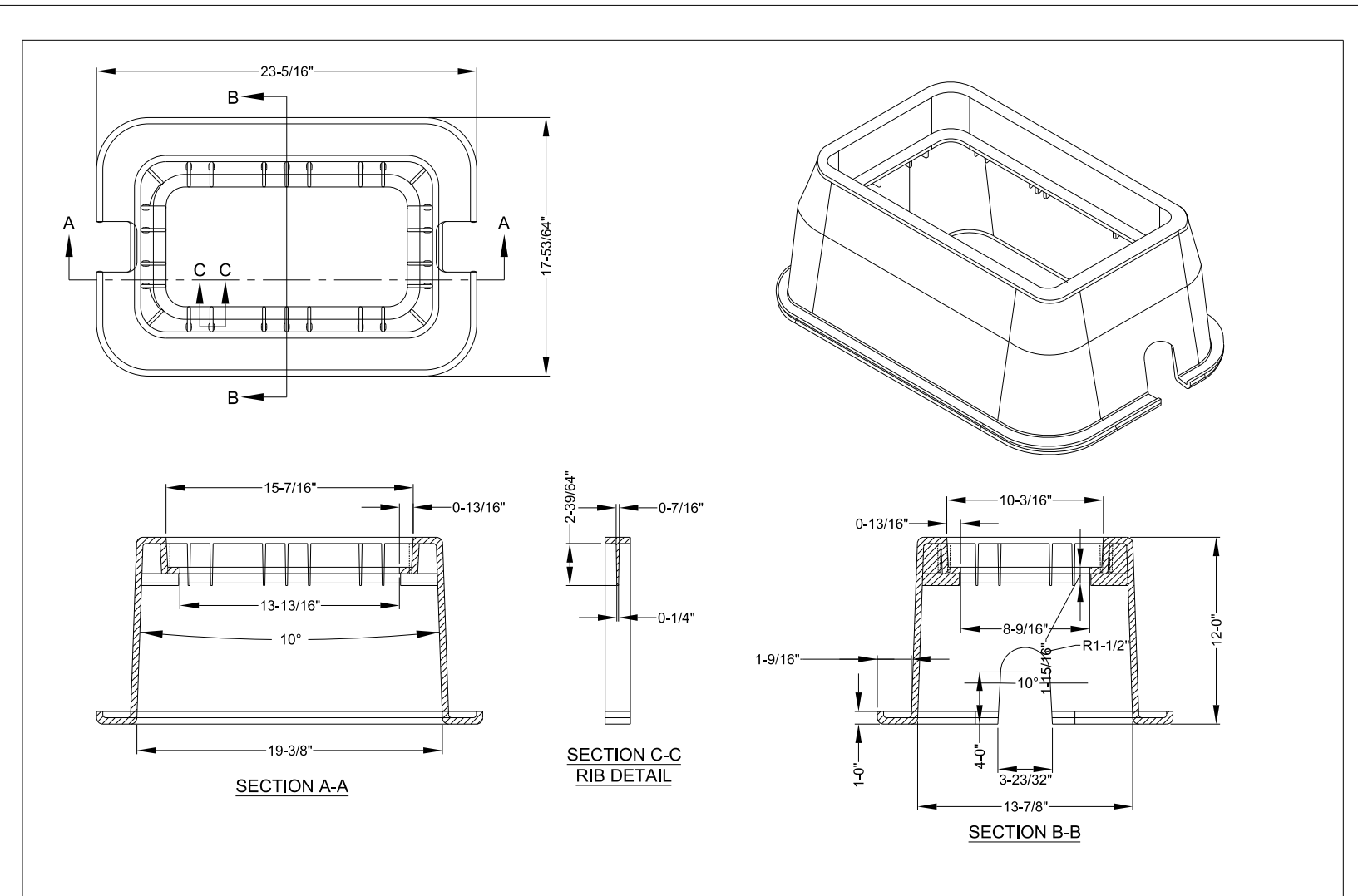
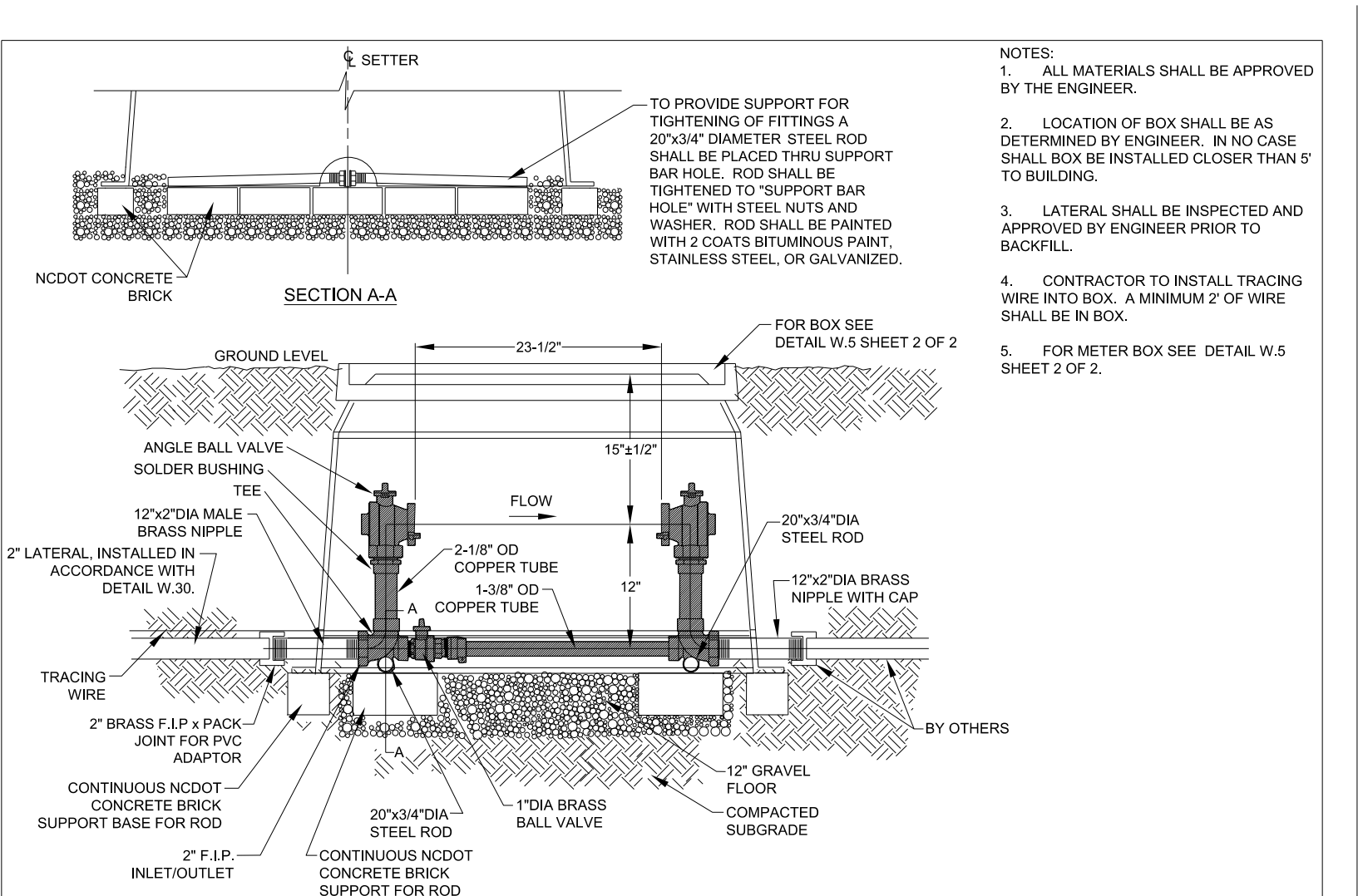


UTILITY CONSTRUCTION

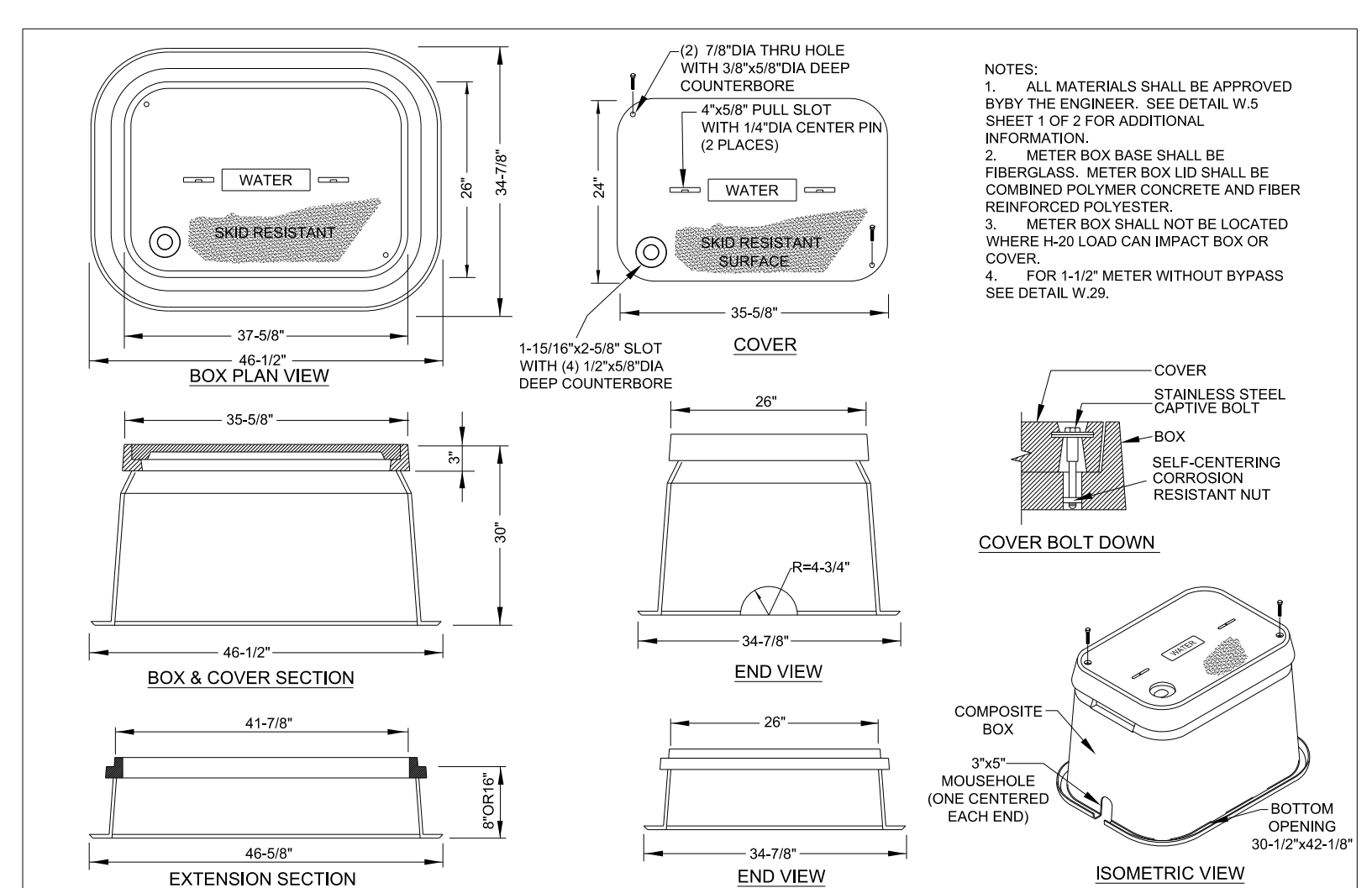


1-INCH COMPOSITE METER BOX & COVER N.T.S.		FAYETTEVILLE PUBLIC WORKS COMMISSION FAYETTEVILLE, N.C.	NO.	DATE	REVISION
SHEET NO. 2 OF 2		WATER RESOURCES DEPARTMENT	1	12/15	REPLACED CI BOX WITH COMPOSITE BOX
DWG. NO. W.4B	DWG. BY: FAYPWC	FAYETTEVILLE PUBLIC WORKS COMMISSION FAYETTEVILLE, N.C.	NO.	DATE	REVISION
DATE: JAN. 01, 2018	APPROVED BY: J.E.G.	WATER RESOURCES DEPARTMENT	1	12/15	REPLACED CI BOX WITH COMPOSITE BOX

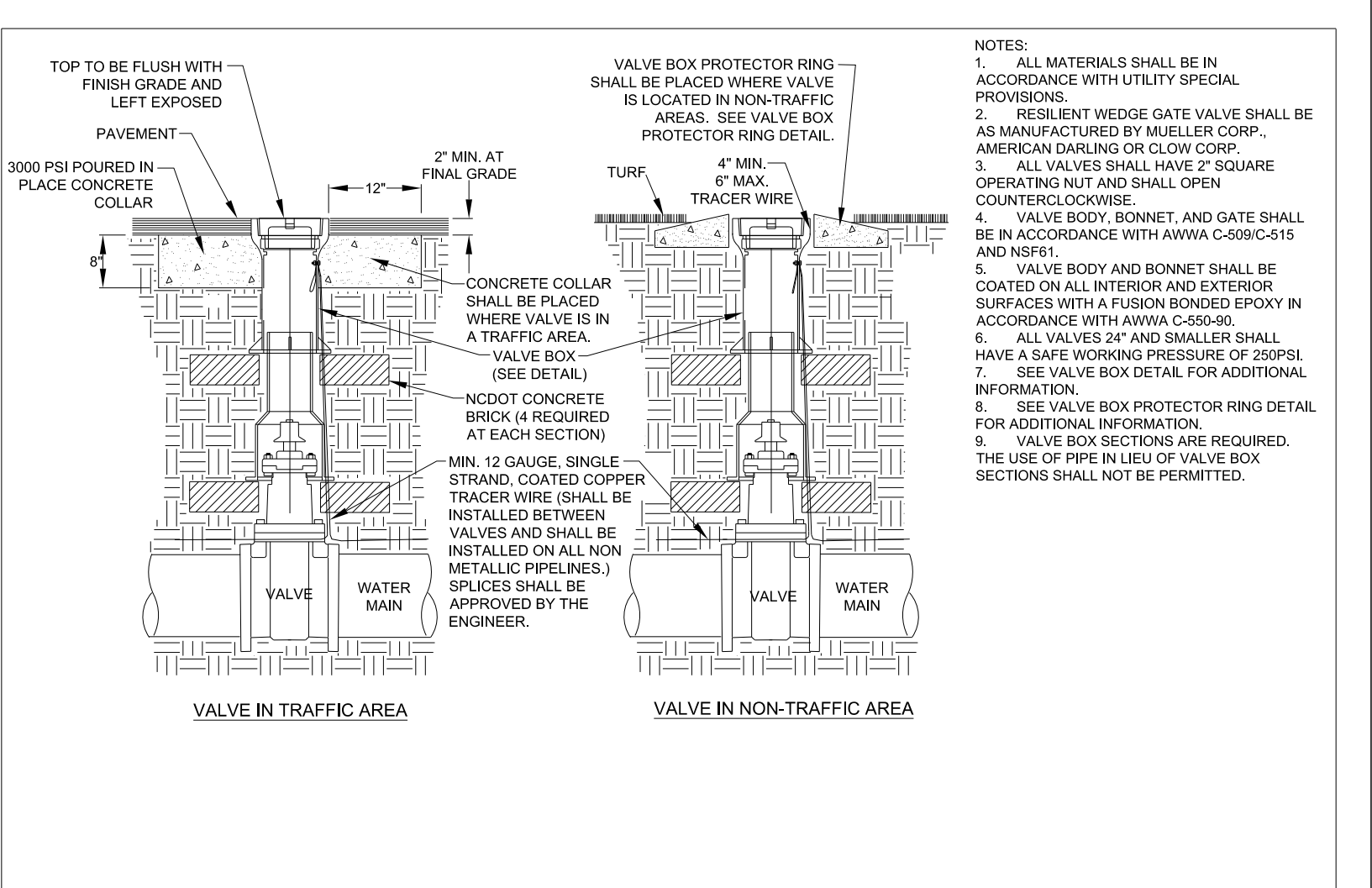


2" COPPER SETTER w/BYPASS 23-1/2" METER SPACING N.T.S.		FAYETTEVILLE PUBLIC WORKS COMMISSION FAYETTEVILLE, N.C.	NO.	DATE	REVISION
SHEET NO. 1 OF 2		WATER RESOURCES ENGINEERING DEPARTMENT	1	07/13	REVISED, UPDATED NOTES
DWG. NO. W.5	DWG. BY: FAYPWC	FAYETTEVILLE PUBLIC WORKS COMMISSION FAYETTEVILLE, N.C.	NO.	DATE	REVISION
DATE: JAN. 01, 2018	APPROVED BY: J.E.G.	WATER RESOURCES ENGINEERING DEPARTMENT	1	07/13	REVISED, UPDATED NOTES

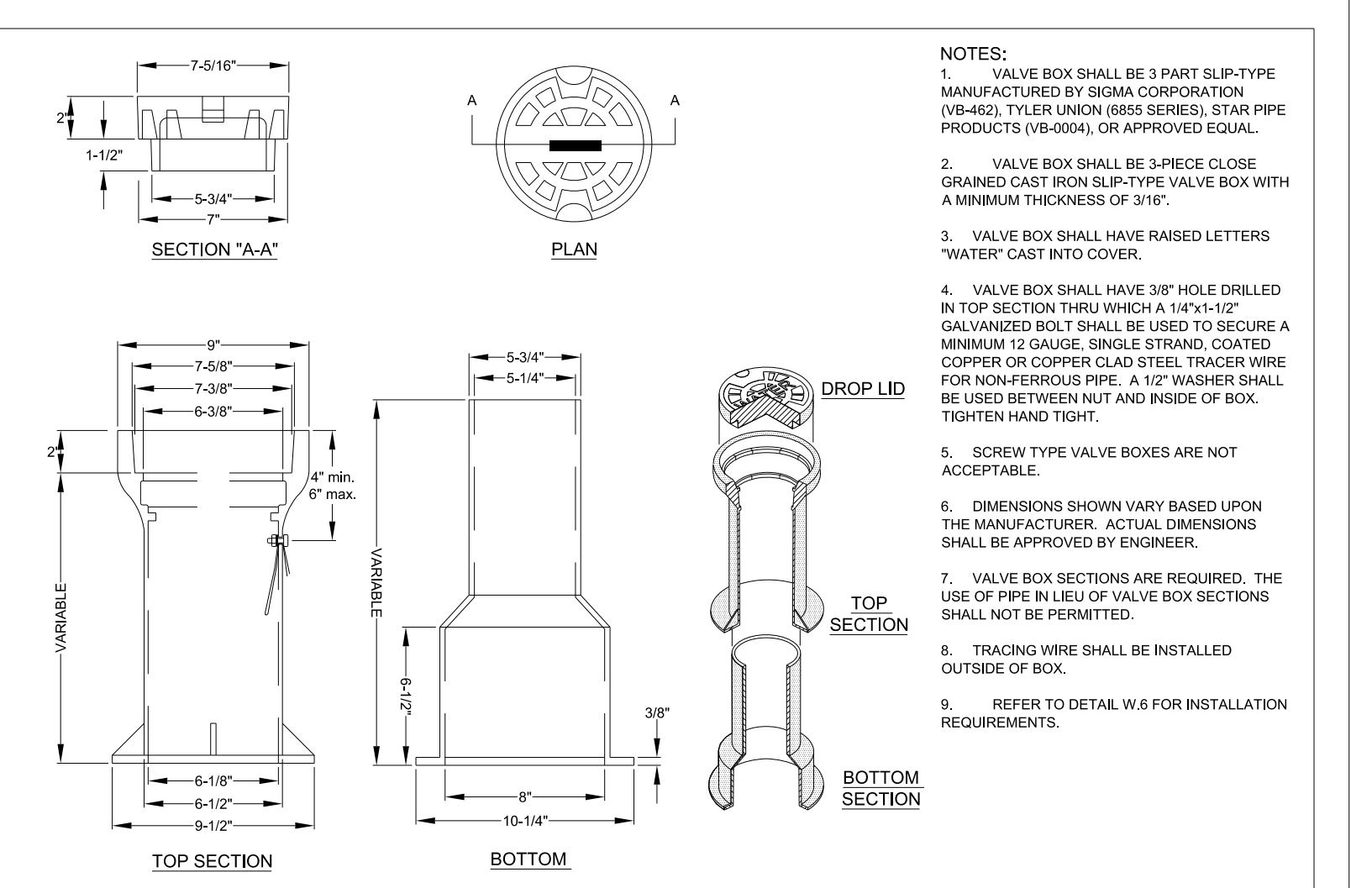
NOTE:  
 ANY REFERENCE TO FAYPWC PROJECT COORDINATOR, PWC COORDINATOR OR FAYPWC (FAYETTEVILLE PUBLIC WORKS COMMISSION) SHALL BE INTERPRETTED AS A REFERENCE TO THE ENGINEER.



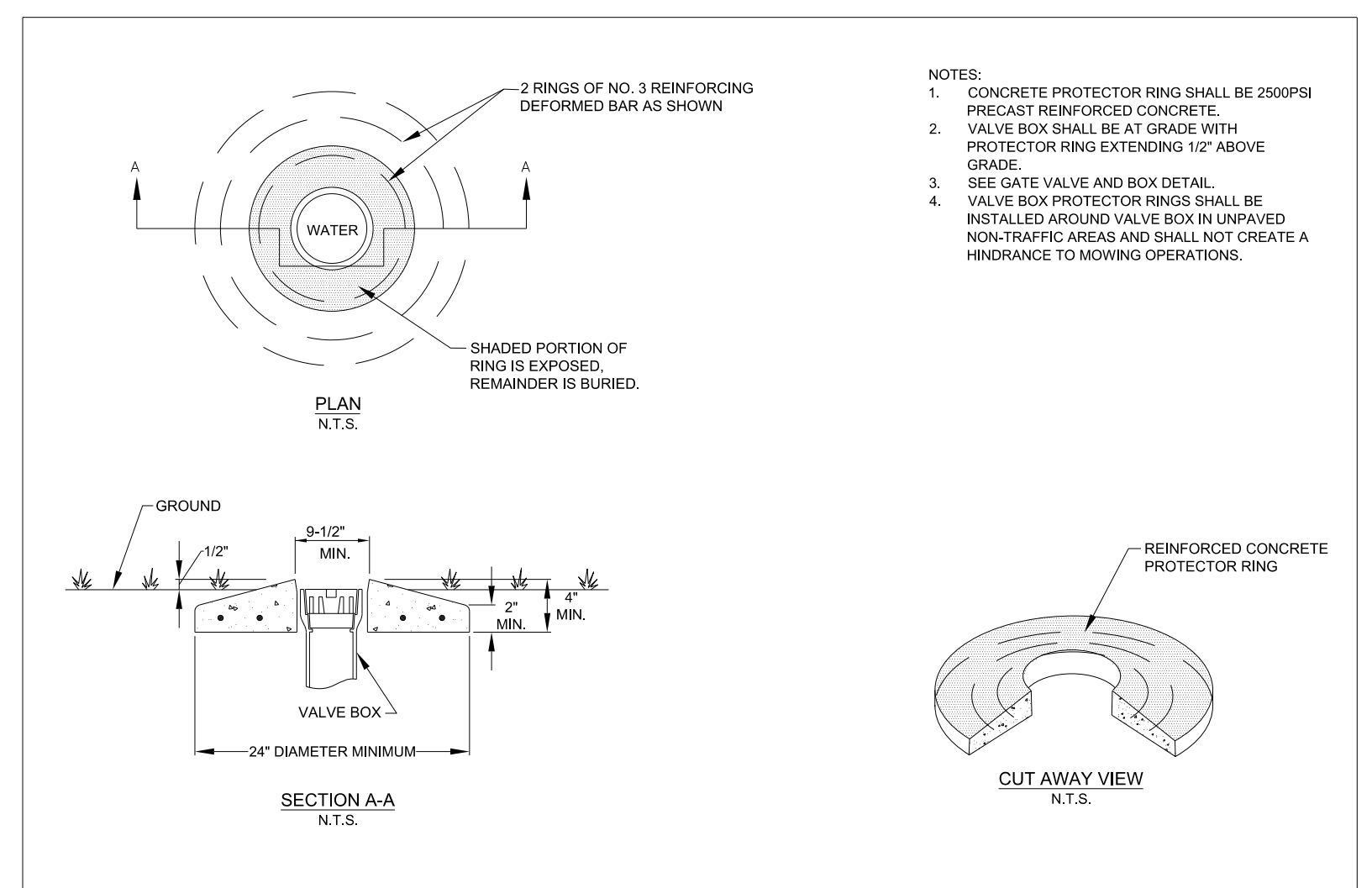
1-1/2" & 2" BY-PASS METER BOX N.T.S.		FAYETTEVILLE PUBLIC WORKS COMMISSION FAYETTEVILLE, N.C.	NO.	DATE	REVISION
SHEET NO. 2 OF 2		WATER RESOURCES ENGINEERING DEPARTMENT	1	12/15	REVISED LID
DWG. NO. W.5	DWG. BY: FAYPWC	FAYETTEVILLE PUBLIC WORKS COMMISSION FAYETTEVILLE, N.C.	NO.	DATE	REVISION
DATE: JAN. 01, 2018	APPROVED BY: J.E.G.	WATER RESOURCES ENGINEERING DEPARTMENT	2	07/24/18	REVISED PER NCDOT COMMENTS (U-4405)



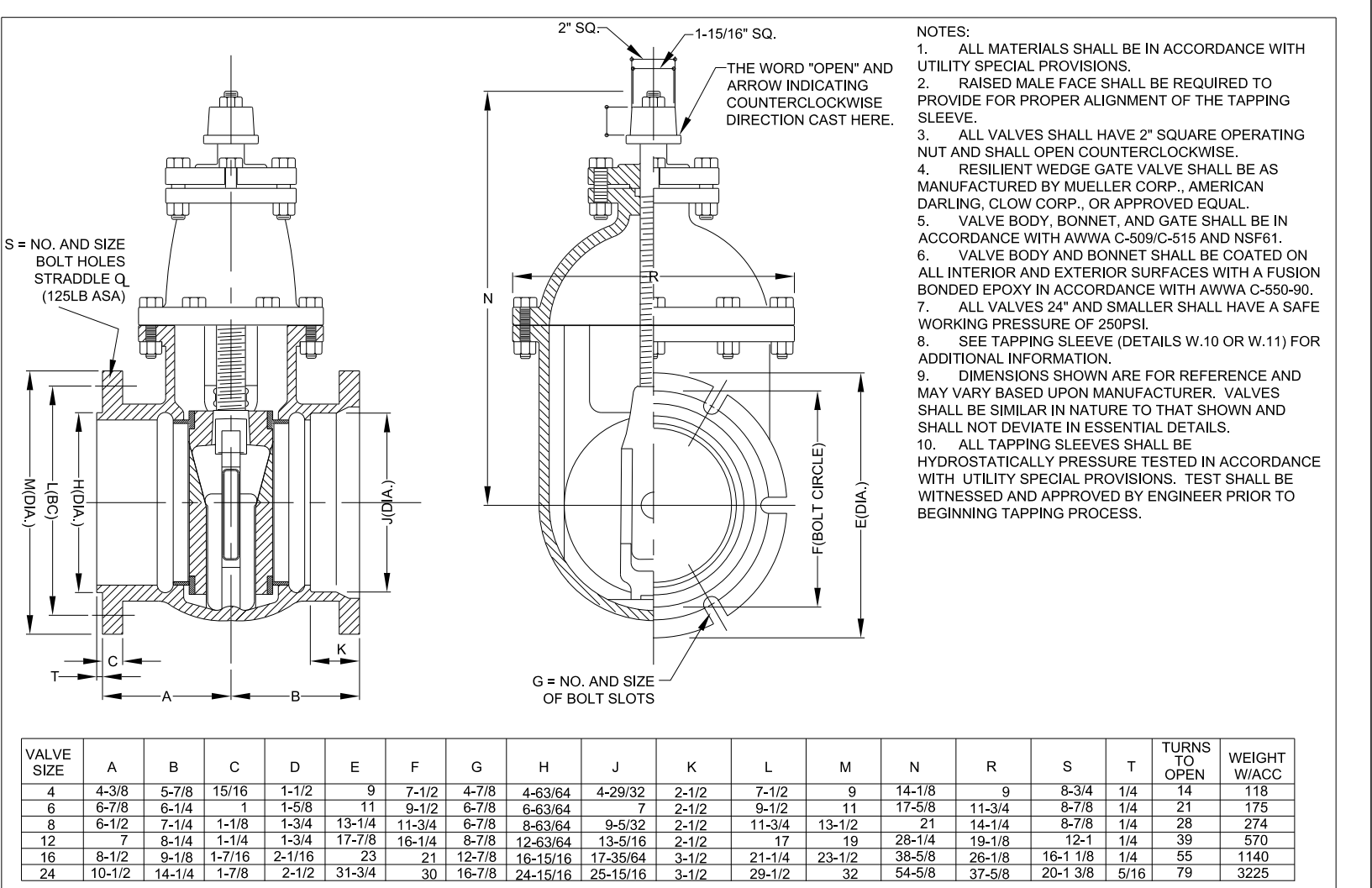
GATE VALVE N.T.S.		FAYETTEVILLE PUBLIC WORKS COMMISSION FAYETTEVILLE, N.C.	NO.	DATE	REVISION
SHEET NO. 1 OF 1		WATER RESOURCES ENGINEERING DEPARTMENT	1	6/06	ADDED NOTE NO. 9
DWG. NO. W.6	DWG. BY: FAYPWC	FAYETTEVILLE PUBLIC WORKS COMMISSION FAYETTEVILLE, N.C.	NO.	DATE	REVISION
DATE: JAN. 01, 2018	APPROVED BY: J.E.G.	WATER RESOURCES ENGINEERING DEPARTMENT	2	7/09	CLARIFIED NOTES



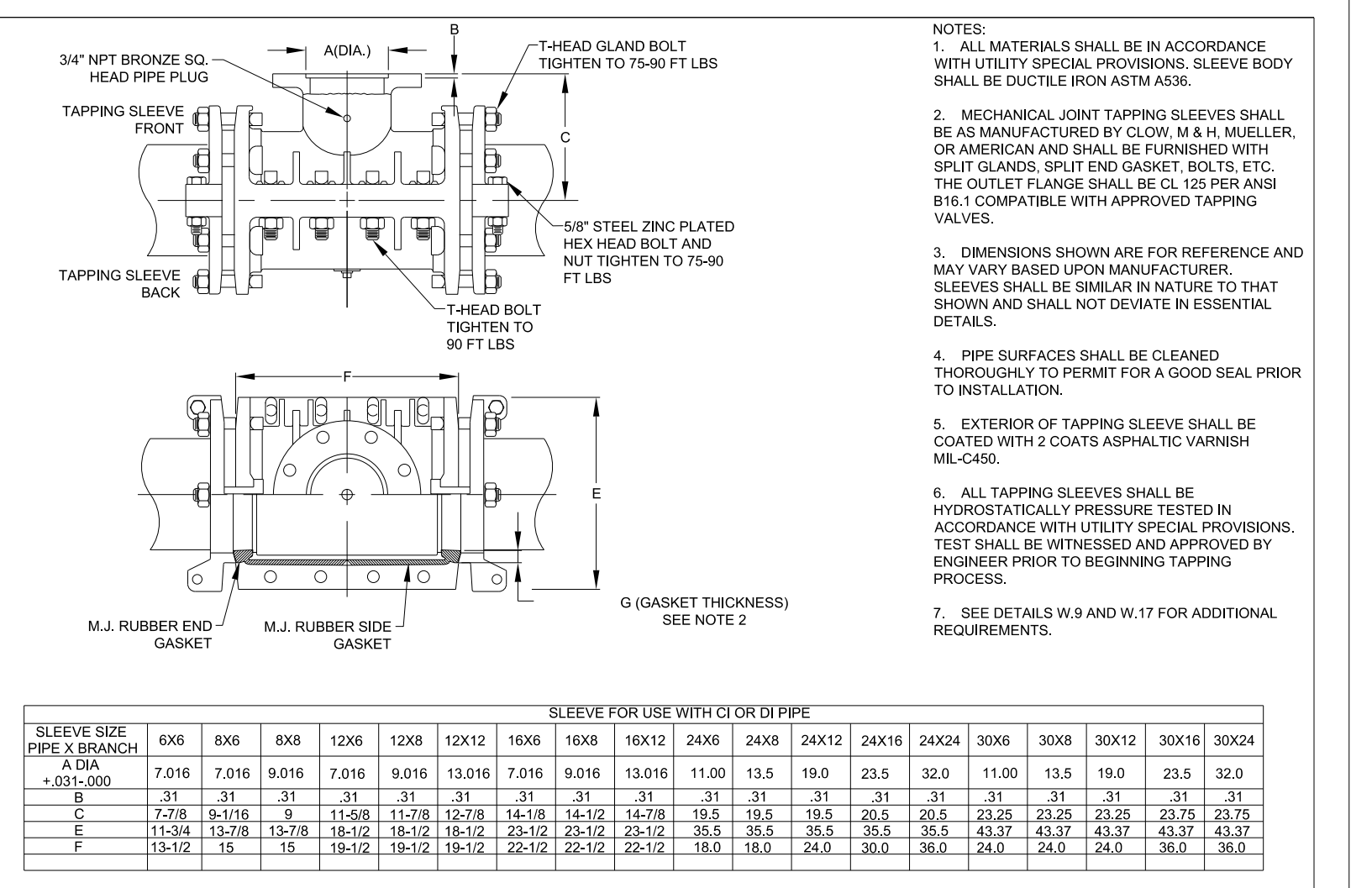
VALVE BOX N.T.S.		FAYETTEVILLE PUBLIC WORKS COMMISSION FAYETTEVILLE, N.C.	NO.	DATE	REVISION
SHEET NO. 1 OF 1		WATER RESOURCES ENGINEERING DEPARTMENT	1	07/09	ADDED NOTES 7, 8, AND CLARIFIED NOTES
DWG. NO. W.7	DWG. BY: FAYPWC	FAYETTEVILLE PUBLIC WORKS COMMISSION FAYETTEVILLE, N.C.	NO.	DATE	REVISION
DATE: JAN. 01, 2018	APPROVED BY: J.E.G.	WATER RESOURCES ENGINEERING DEPARTMENT	2	01/14	REVISED NOTES 1, 4, 6



VALVE BOX PROTECTOR RING N.T.S.		FAYETTEVILLE PUBLIC WORKS COMMISSION FAYETTEVILLE, N.C.	NO.	DATE	REVISION
SHEET NO. 1 OF 1		WATER RESOURCES ENGINEERING DEPARTMENT	NO.	DATE	REVISION
DWG. NO. W.8	DWG. BY: FAYPWC	FAYETTEVILLE PUBLIC WORKS COMMISSION FAYETTEVILLE, N.C.	NO.	DATE	REVISION
DATE: JAN. 01, 2018	APPROVED BY: J.E.G.	WATER RESOURCES ENGINEERING DEPARTMENT	NO.	DATE	REVISION



TAPPING VALVE N.T.S.		FAYETTEVILLE PUBLIC WORKS COMMISSION FAYETTEVILLE, N.C.	NO.	DATE	REVISION
SHEET NO. 1 OF 1		WATER RESOURCES ENGINEERING DEPARTMENT	1	07/09	ADDED NOTE 10, REVISED 4 AND 5
DWG. NO. W.9	DWG. BY: FAYPWC	FAYETTEVILLE PUBLIC WORKS COMMISSION FAYETTEVILLE, N.C.	NO.	DATE	REVISION
DATE: JAN. 01, 2018	APPROVED BY: J.E.G.	WATER RESOURCES ENGINEERING DEPARTMENT	2	07/13	REVISED NOTES 4, 8, 10



DUCTILE IRON TAPPING SLEEVE N.T.S.		FAYETTEVILLE PUBLIC WORKS COMMISSION FAYETTEVILLE, N.C.	NO.	DATE	REVISION
SHEET NO. 1 OF 1		WATER RESOURCES ENGINEERING DEPARTMENT	1	07/09	REVISED NOTE 6 REMOVED NOTE 8
DWG. NO. W.10	DWG. BY: FAYPWC	FAYETTEVILLE PUBLIC WORKS COMMISSION FAYETTEVILLE, N.C.	NO.	DATE	REVISION
DATE: JAN. 01, 2018	APPROVED BY: J.E.G.	WATER RESOURCES ENGINEERING DEPARTMENT	2	07/13	REVISED NOTES 6, 7

SLEEVE SIZE PIPE X BRANCH	6X6	8X8	8X8	12X8	12X8	12X12	16X8	16X8	16X12	24X8	24X8	24X12	24X16	24X24	30X6	30X8	30X12	30X16	30X24
A DIA	7.016	7.016	9.016	7.016	9.016	13.016	7.016	9.016	13.016	11.000	13.5	19.0	23.5	32.0	11.000	13.5	19.0	23.5	32.0
B	31	31	31	31	31	31	31	31	31	31	31	31	31	31	31	31	31	31	31
C	7-7/8	9-1/8	9	11-5/8	11-7/8	12-7/8	14-1/8	14-1/2	14-7/8	19.5	19.5	19.5	20.5	20.5	23.25	23.25	23.25	23.75	23.75
E	11-3/4	13-7/8	13-7/8	18-1/2	18-1/2	18-1/2	22-1/2	22-1/2	22-1/2	35.5	35.5	35.5	43.37	43.37	43.37	43.37	43.37	43.37	43.37
F	13-1/2	15	15	19-1/2	19-1/2	19-1/2	22-1/2	22-1/2	22-1/2	35.0	35.0	35.0	43.0	43.0	43.0	43.0	43.0	43.0	43.0

02-AUG-2018 10:32 U:\Projects\Utility\Public Works Commission\2015\017\000A ReforRoad NCDOT U 4405\CADD\NCDOT PLANS\Utilities\Engineering\UC\Proj\Detail Sheets\U4405.ut\_dtl\_UC031-0.dgn

REVISIONS

UTILITY REV. - JULY 24, 2018 - REVISIONS TO DETAIL SHEETS