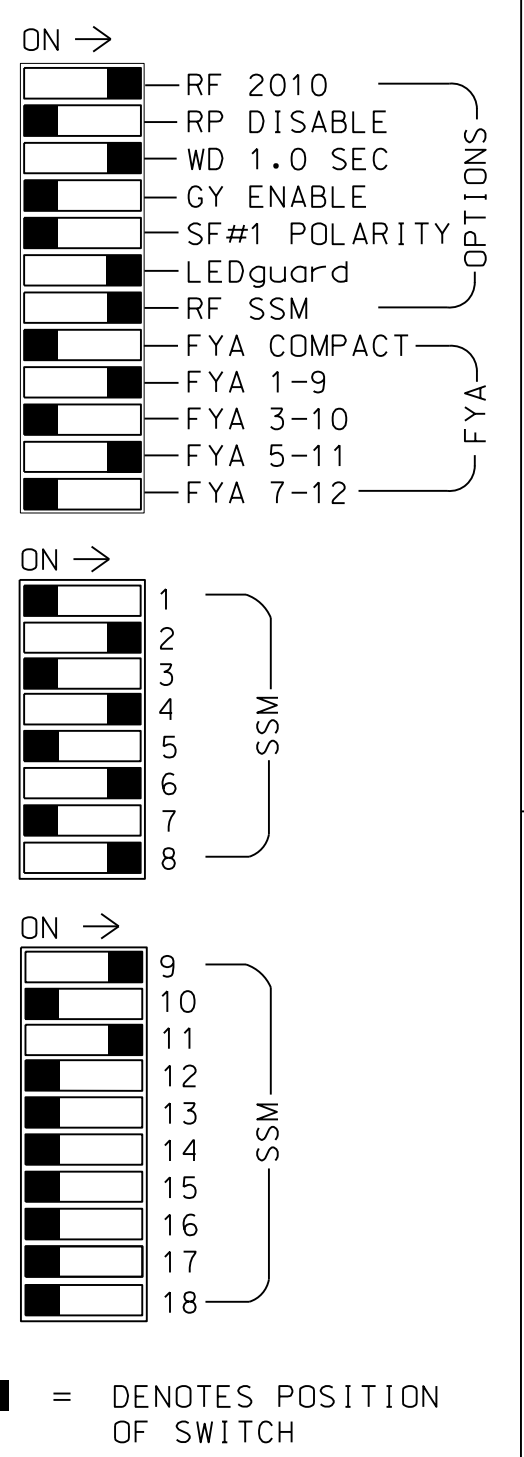
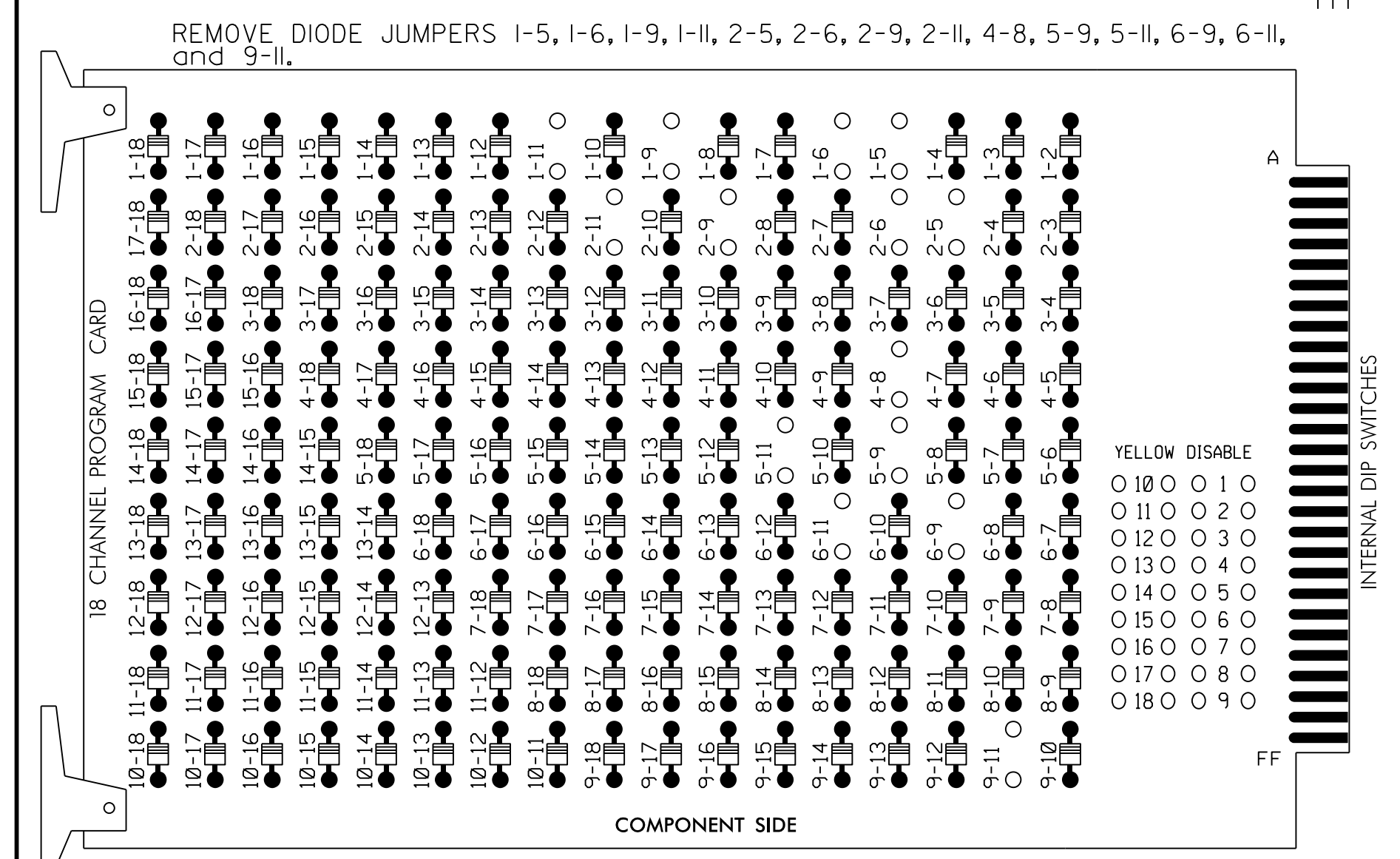


EDI MODEL 2018EClip-NC CONFLICT MONITOR PROGRAMMING DETAIL

(remove jumpers and set switches as shown)



NOTES:

- Card is provided with all diode jumpers in place. Removal of any jumper allows its channels to run concurrently.
- Ensure jumpers SEL2-SEL5 and SEL9 are present on the monitor board.
- Ensure that Red Enable is active at all times during normal operation.
- Integrate monitor with Ethernet network in cabinet.

NOTES

- To prevent "flash-conflict" problems, insert red flash program blocks for all unused vehicle load switches in the output file. The installer shall verify that signal heads flash in accordance with the Signal Plans.
- Program controller to start up in phase 2 Green and 6 Green.
- The cabinet and controller are part of the Fayetteville Signal System.

EQUIPMENT INFORMATION

CONTROLLER.....2070
 CABINET.....332 W/AUX
 SOFTWARE.....ECONOLITE ASC/3-2070
 CABINET MOUNT.....BASE
 OUTPUT FILE POSITIONS...18 WITH AUX. OUTPUT FILE
 LOAD SWITCHES USED.....S1,S2,S5,S7,S8,S11,AUX S1,AUX S4
 PHASES USED.....1,2,4,5,6,8
 OVERLAP "A".....*
 OVERLAP "B".....NOT USED
 OVERLAP "C".....*
 OVERLAP "D".....NOT USED
 * See overlap programming detail on sheet 2

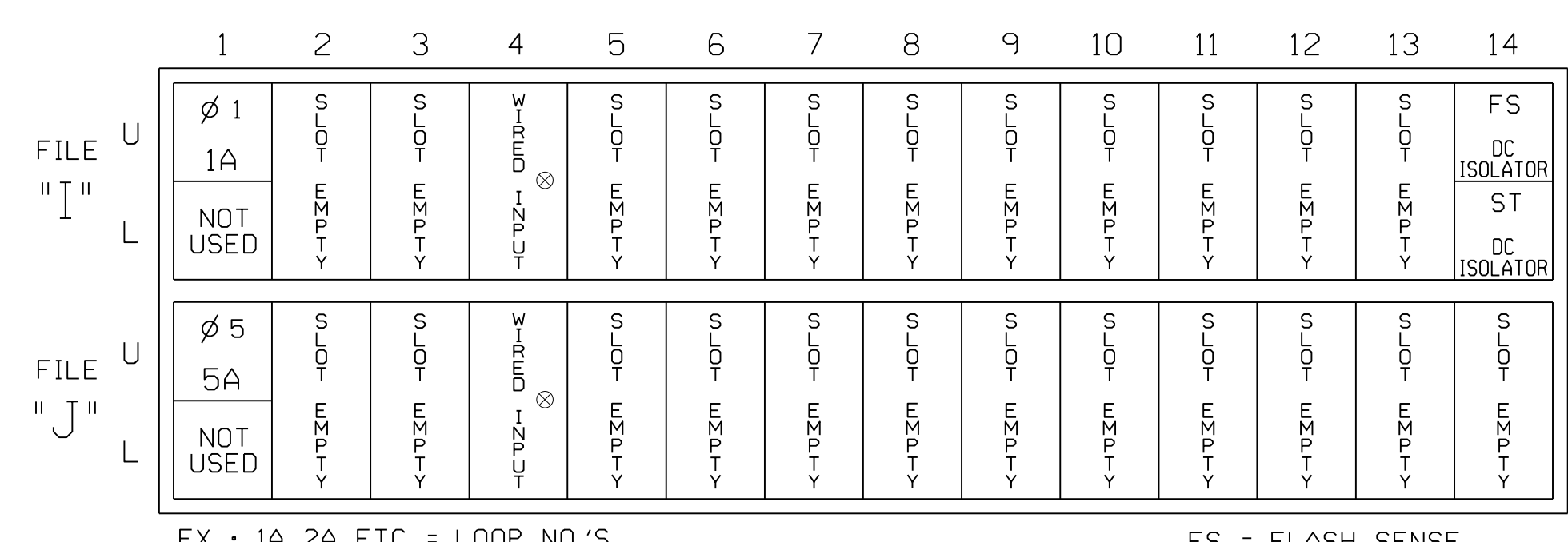
SIGNAL HEAD HOOK-UP CHART

LOAD SWITCH NO.	S1	S2	S3	S4	S5	S6	S7	S8	S9	S10	S11	S12	AUX S1	AUX S2	AUX S3	AUX S4	AUX S5	AUX S6
CHU CHANNEL NO.	1	2	13	3	4	14	5	6	15	7	8	16	9	10	17	11	12	18
PHASE	1	2	2 PED	3	4	4 PED	5	6	6 PED	7	8	8 PED	OLA	OLB	SPARE	OLC	OLD	SPARE
SIGNAL HEAD NO.	11	21,22,23	NU	NU	41,42	NU	51	61,62	NU	NU	81,82	NU	11	NU	NU	51	NU	NU
RED	128				101				134			107						
YELLOW	*	129			102		*	135			108							
GREEN		130			103			136			109							
RED ARROW													A121			A114		
YELLOW ARROW																A122		A115
FLASHING YELLOW ARROW													A123			A116		
GREEN ARROW	127							133										

NU = Not Used
 * Denotes install load resistor. See load resistor installation detail this sheet.
 ★ See pictorial of head wiring in detail this sheet.

INPUT FILE POSITION LAYOUT

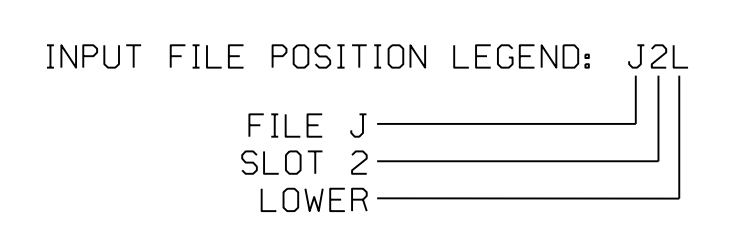
(front view)



INPUT FILE CONNECTION & PROGRAMMING CHART

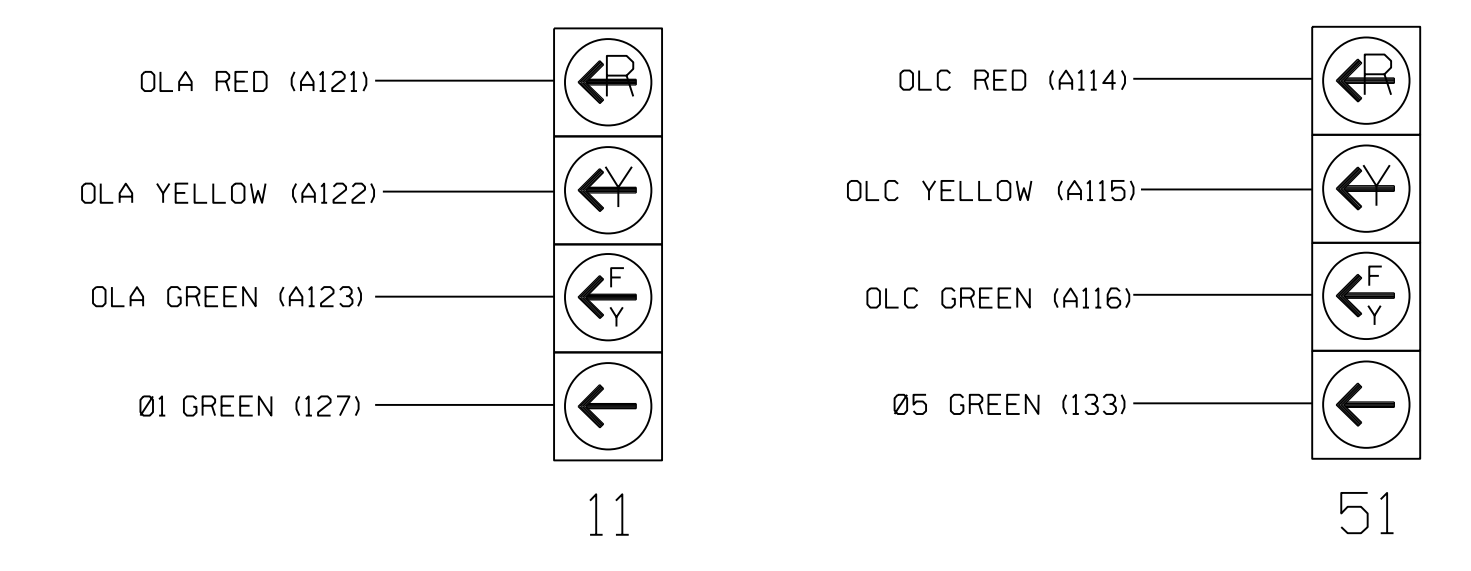
LOOP NO.	LOOP TERMINAL	INPUT FILE POS.	PIN NO.	DETECTOR NO.	NEMA PHASE	CALL	EXTEND TIME	DELAY TIME	ADDED INITIAL	DETECTOR TYPE
1A ¹	-	I1U	56	1 ★	1	YES		15		S
	-	J4U	48	26 ★	6	YES		3		G
5A ²	-	J1U	55	5 ★	5	YES		15		S
	-	I4U	47	22 ★	2	YES		3		G

- Add jumper from I1-W to J4-W, on rear of input file.
 - Add jumper from J1-W to I4-W, on rear of input file.
- ★ See vehicle detector setup programming detail for alternate phasing on sheet 3.



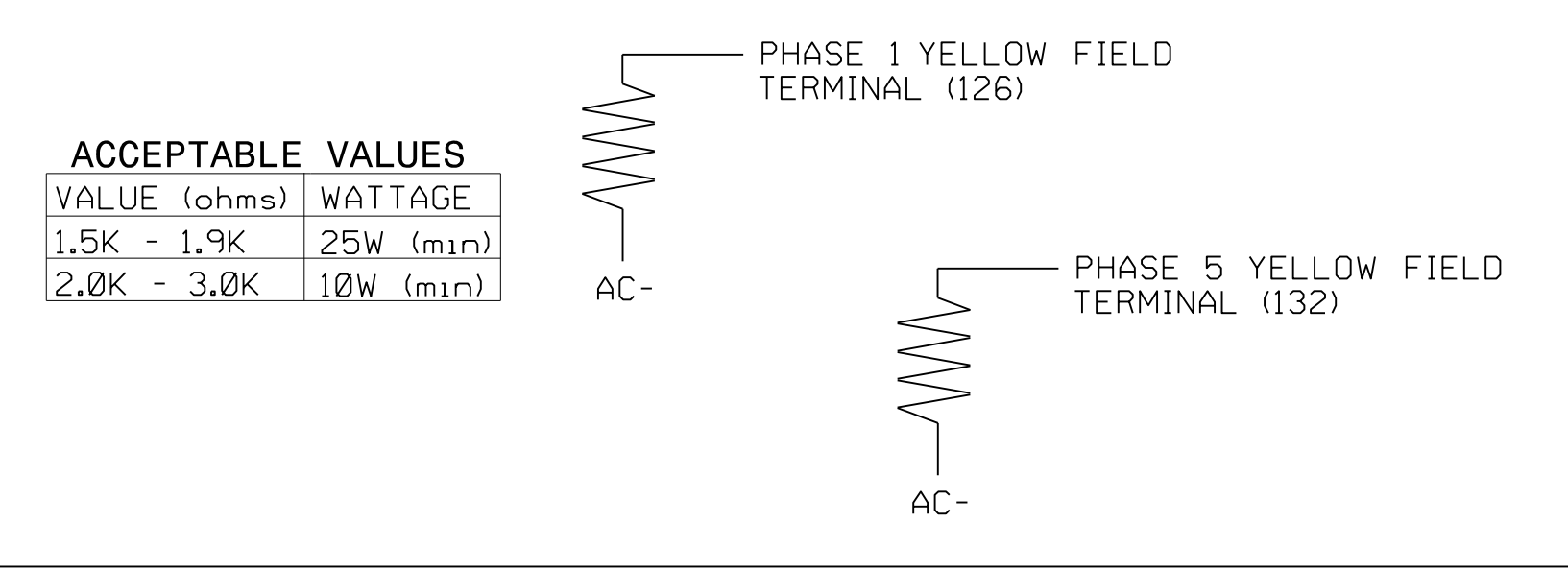
FYA SIGNAL WIRING DETAIL

(wire signal heads as shown)



LOAD RESISTOR INSTALLATION DETAIL

(install resistors as shown)



DETECTOR NOTES

- For all loops, install a video detection system for vehicle detection. Perform installation according to manufacturer's directions and NCDOT engineer-approved mounting locations to accomplish the detection schemes shown on the Signal Design Plans.
- For loops 1A and 5A detector card placements and slots reserved for wired inputs are typical for a NCDOT installation. Inputs associated with these slots are compatible with time of day instructions located on sheets 2 and 3 of this electrical detail.

Temporary Design 2 - TMP Phase II Electrical Detail - Sheet 1 of 3

US 401 Business (Raeford Road) at Brighton Road/ Fred Anderson Nissan

Division 6 Cumberland County Fayetteville

PLAN DATE: March 2018 REVIEWED BY: L Overn

PREPARED BY: R W Muncey REVIEWED BY:

REVISIONS	INIT.	DATE

SEAL

THIS ELECTRICAL DETAIL IS FOR THE SIGNAL DESIGN: 06-0328T2
 DESIGNED: March 2018
 SEALED: 03-29-2018
 REVISED: N/A

DATE: 3/29/2018

SIG. INVENTORY NO. 06-0328T2