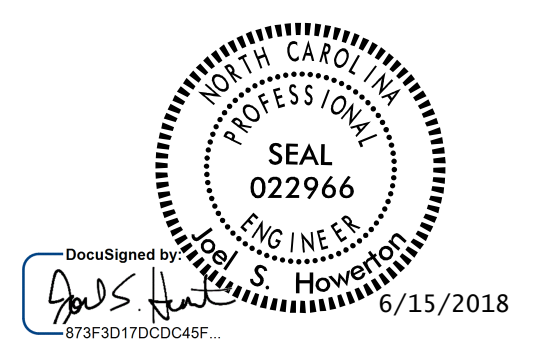
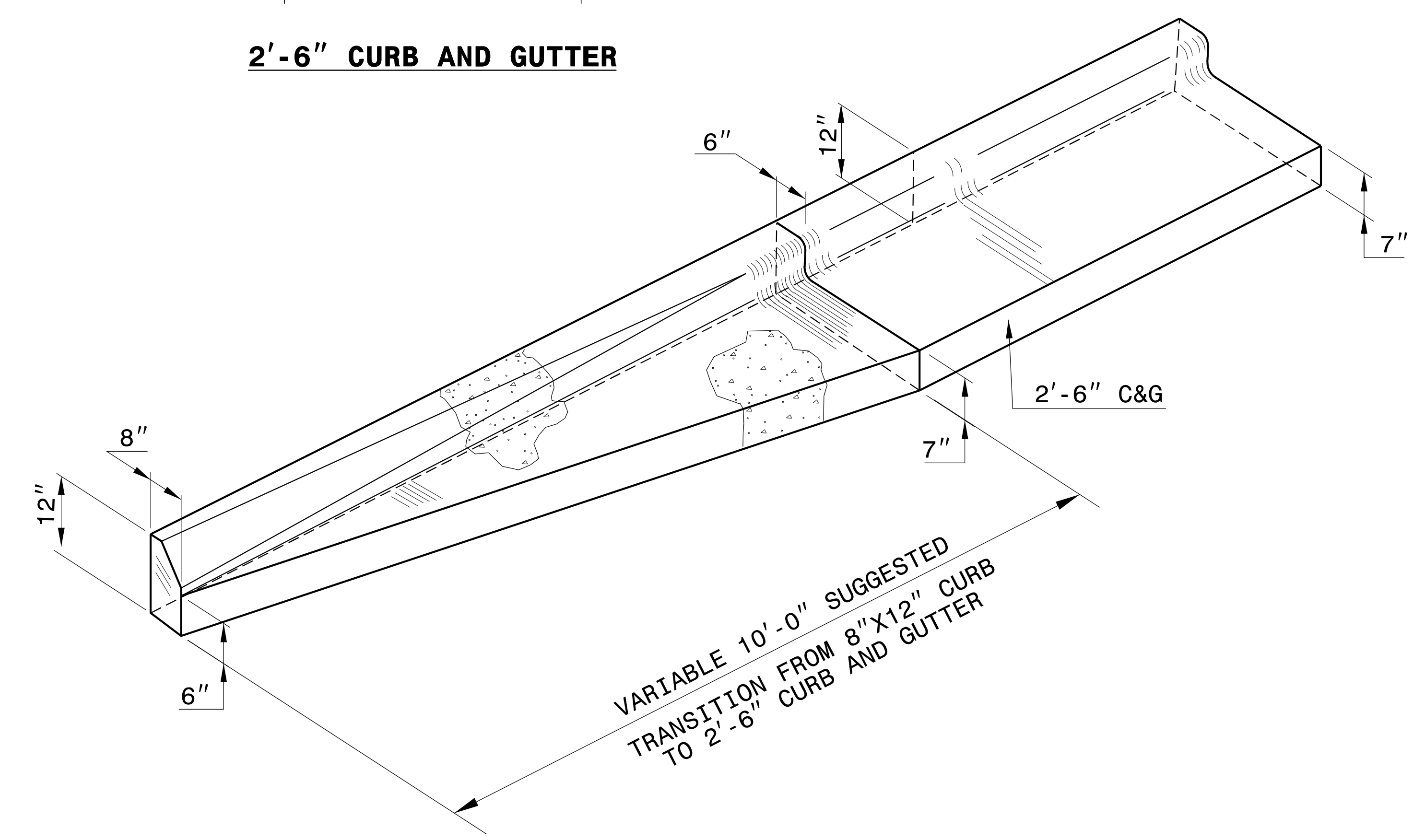


*NOTE: SEE STD. DWG. 846.01 FOR GENERAL NOTES



DOCUMENT NOT CONSIDERED FINAL UNLESS ALL SIGNATURES COMPLETED

PROJECT SERVICES UNIT STANDARDS AND SPECIAL DESIGN	
Office 919-250-4128	FAX 919-250-4119
DETAIL OF 8"X12" CURB TO 2'-6" CURB & GUTTER TRANSITION SECTION	
ORIGINAL BY: _____	DATE: _____
MODIFIED BY: K. KEMPF	DATE: 10-20-09
CHECKED BY: _____	DATE: _____
FILE SPEC.: details/ericward/usr/details/stand/cgtransit.dgn	

08-FEB-2018 07:22 S:\Contracts\Contractors\Special Details\ericward\usr\details\stand\c&g transition sections.dgn JHowerton AT USD-292595

5/14/99