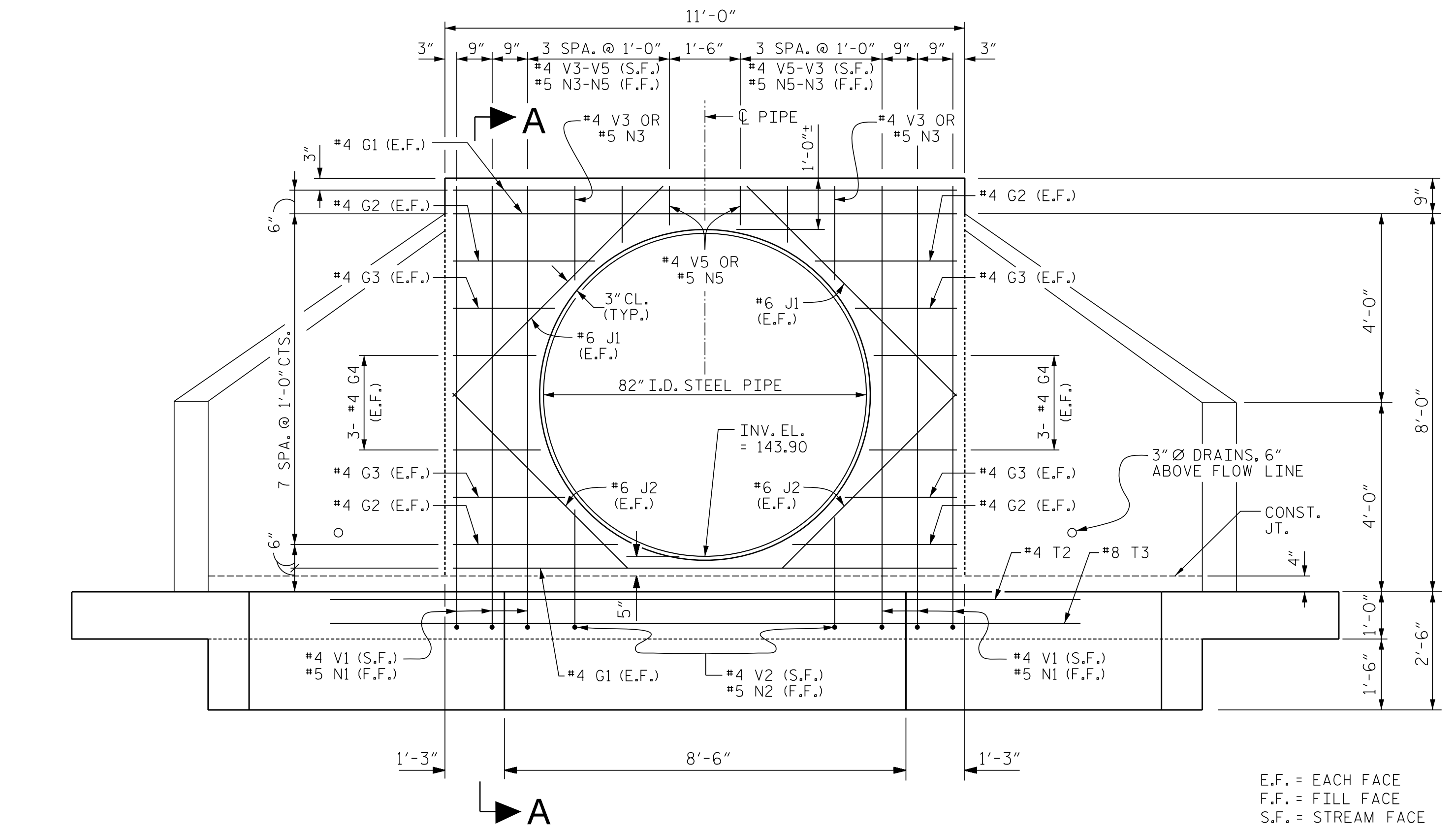


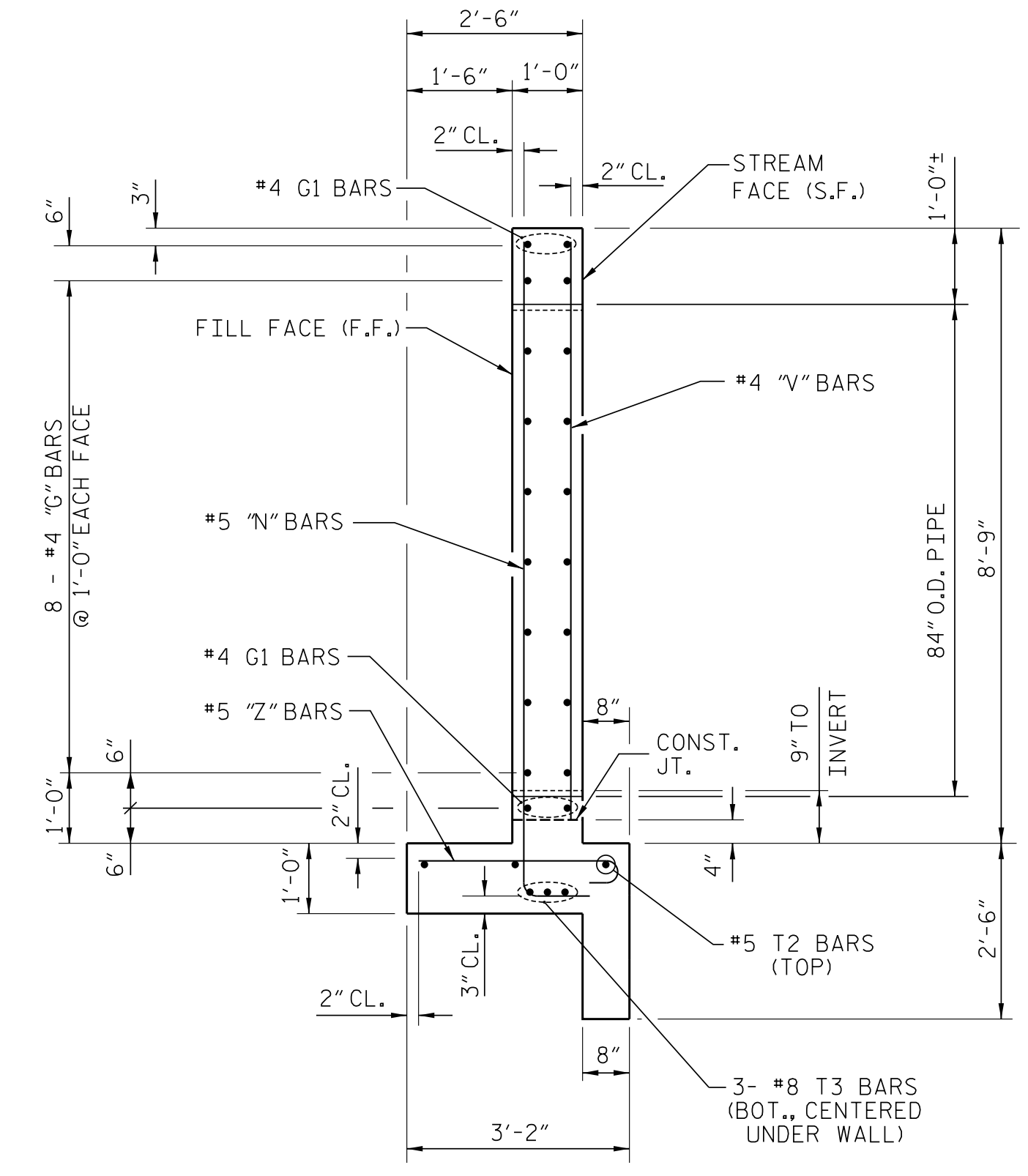
HEADWALL PLAN VIEW AT PIPE OUTLET



HEADWALL ELEVATION VIEW AT PIPE OUTLET

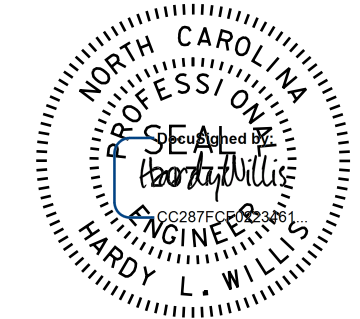
E.F. = EACH FACE
 F.F. = FILL FACE
 S.F. = STREAM FACE

NOTE: DETAILS SCALED TO MATCH NCDOT 838.39.



SECTION A-A AT PIPE OUTLET

PROJECT NO. R-3825B
 JOHNSTON COUNTY
 STATION: 114+23.00 -L-
 SHEET 6 OF 7



7/17/2018 8:15:56 AM EDT

DOCUMENT NOT CONSIDERED
 FINAL UNLESS ALL
 SIGNATURES COMPLETED

V&M
 Vaughn & Melton
 Consulting Engineers
 Asheville, North Carolina
 828-253-2796

- Boone, NC 828-355-9933
- Tri-Cities, TN 423-467-8401
- Knoxville, TN 865-546-5800
- Spartanburg, SC 864-574-4715
- Charleston, SC 843-934-5550
- Middleboro, KY 606-248-6600
- Atlanta, GA 770-627-3590
- Raleigh, NC 919-977-9455
- Charlotte, NC 704-357-0488

Copyright © 2006 Vaughn & Melton, Inc. All Rights Reserved

DSG. ENG. OF RECORD: CB
 DWN. BY: MAF DATE: 3/18
 CHKD. BY: HLW DATE: 3/18

STATE OF NORTH CAROLINA DEPARTMENT OF TRANSPORTATION RALEIGH					
84" OD WELDED STEEL PIPE W/ RISER STRUCTURE ON UT TO NEUSE RIVER UNDER NC 42 BETWEEN SR 1704 AND SR 2677					
REVISIONS					
NO.	BY:	DATE:	NO.	BY:	DATE:
1			3		
2			4		
SHEET NO. C2-6					TOTAL SHEETS 7

V & M PROJECT NO.: 31740-03