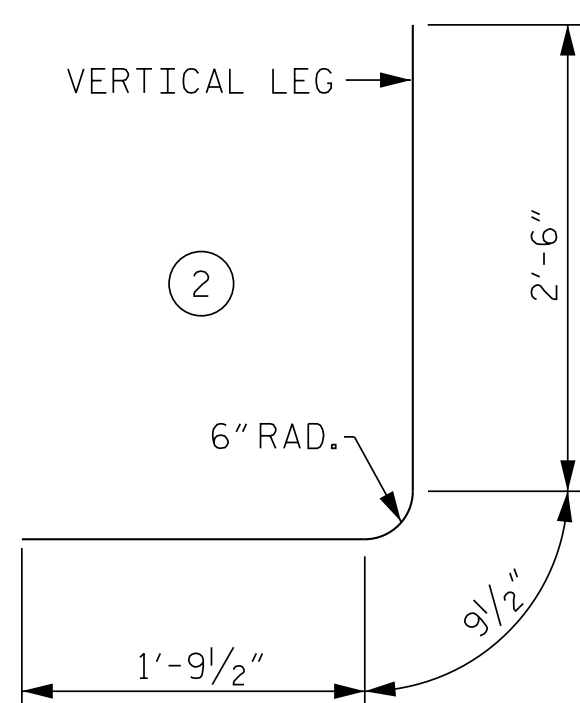


### 2GI RISER BILL OF MATERIAL

BAR	NO.	SIZE	TYPE	LENGTH	WEIGHT
A1	20	5	STR.	12'-4"	257
A2	44	5	STR.	5'-4"	245
A3	34	5	2	5'-1"	180
A4	3	8	STR.	12'-4"	99
B1	82	5	STR.	22'-8"	1939
B2	48	5	STR.	3'-4"	167
C1	92	4	STR.	4'-8"	287
C2	92	4	STR.	11'-8"	717
D1	12	4	STR.	11'-8"	94
D2	26	4	STR.	4'-8"	81

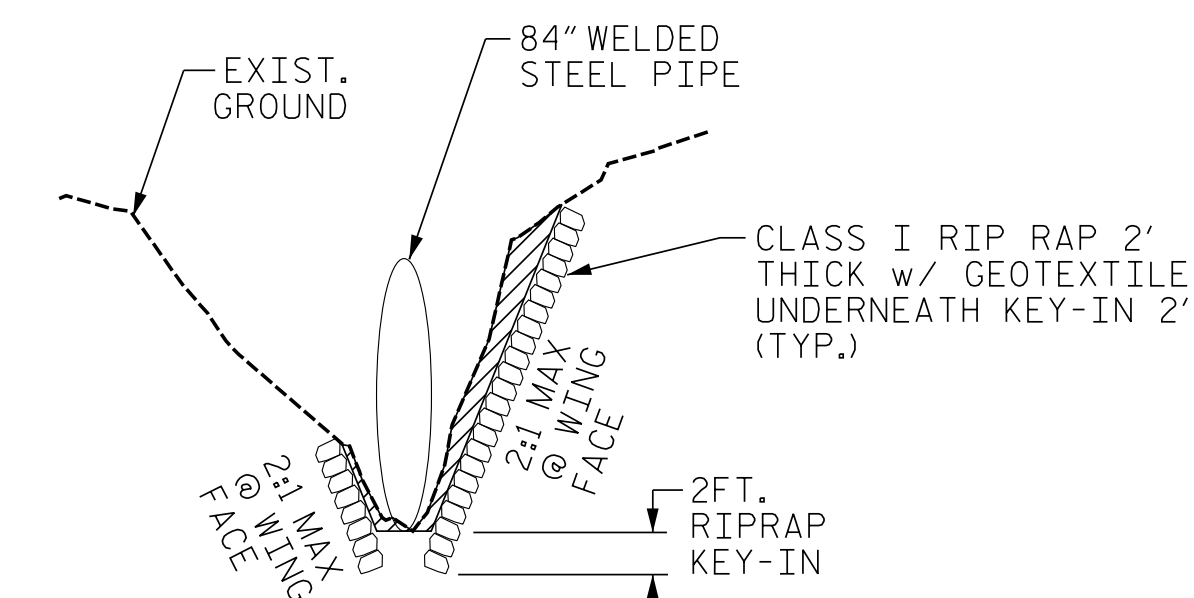
TOTAL REINFORCING STEEL: 4,065 LBS.

CLASS 'A' CONCRETE: 29.1 C.Y.



### SPLICE LENGTH CHART

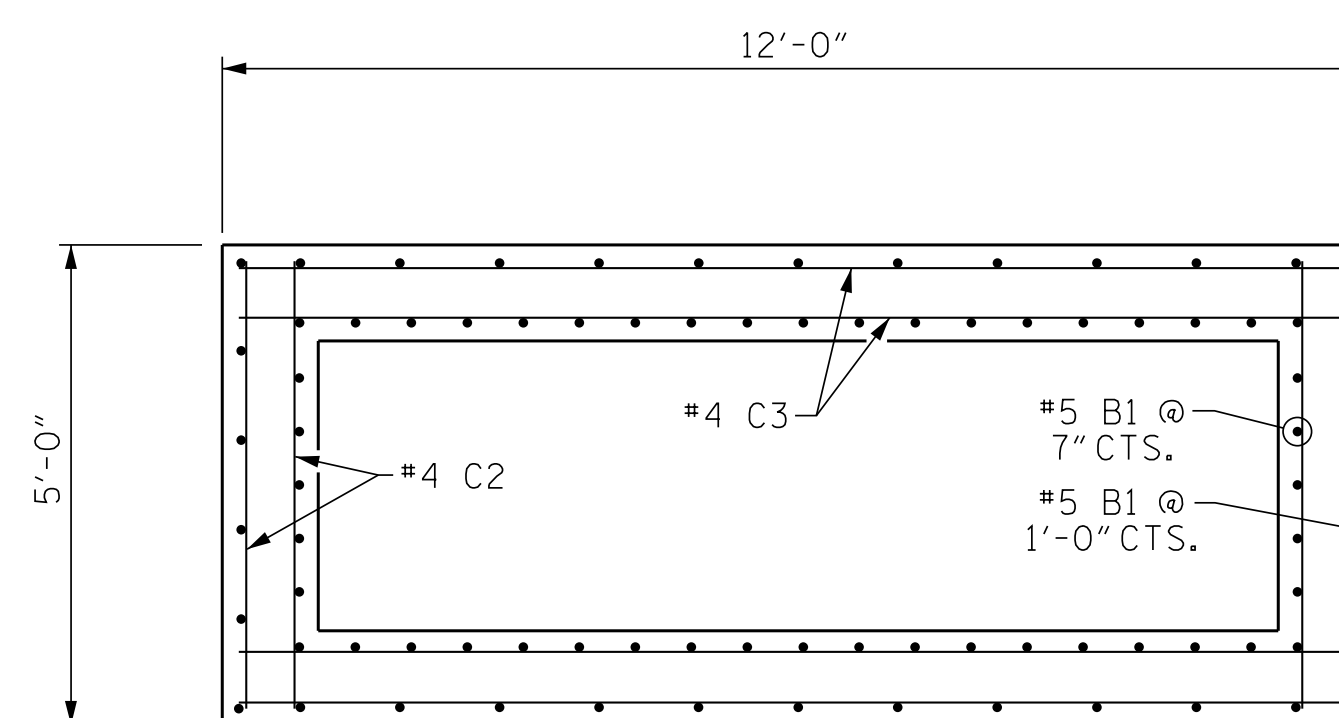
BAR SIZE	SPLICE LENGTH
#4	1'-9"
#5	2'-2"
#6	2'-9"



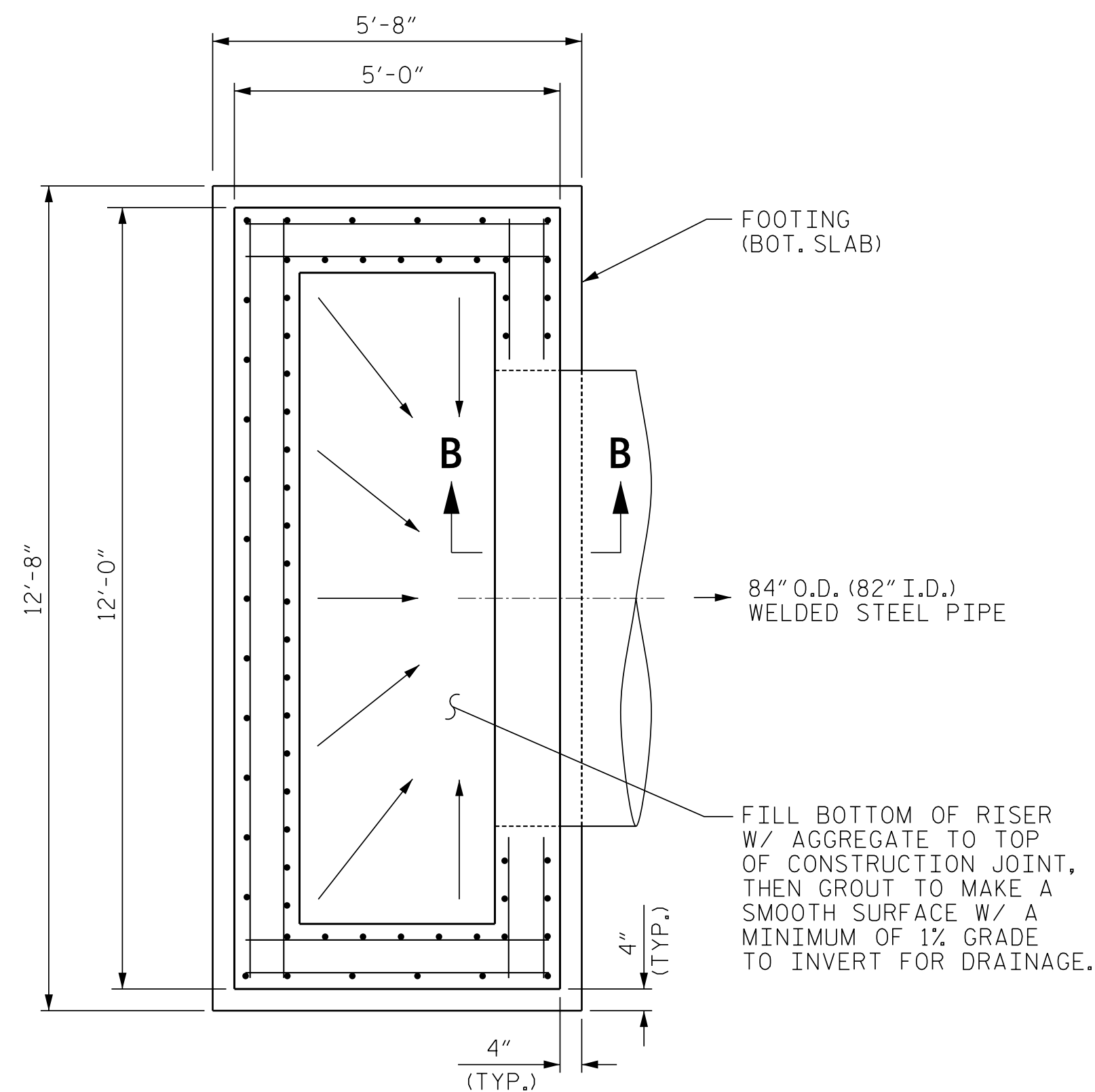
CHANNEL EXCAVATION: =10 CY DOWNSTREAM

BED MATERIALS: SAND, SMALL TO MEDIUM ROCKS, SMALL BOULDERS

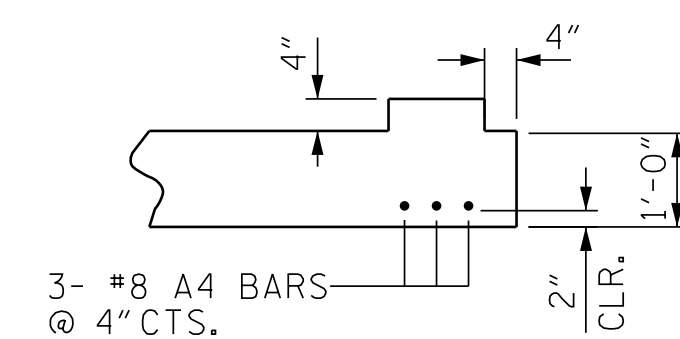
### OUTLET BENCH FACING DOWNSTREAM



SECTION A-A  
(SEE SHEET C2-4 FOR LOCATION)

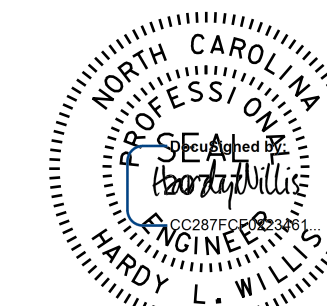


PLAN AT JUNCTION OF 2GI RISER AND 84" O.D. WELDED STEEL PIPE



SECTION B-B

PROJECT NO. R-3825B  
JOHNSTON COUNTY  
STATION: 114+23.00 -L-  
SHEET 5 OF 7



7/17/2018 8:15:56 AM EDT

DOCUMENT NOT CONSIDERED FINAL UNLESS ALL SIGNATURES COMPLETED

**V&M**  
Vaughn & Melton  
Consulting Engineers  
Asheville, North Carolina  
828-253-2796

Boone, NC 828-355-9933  
Tri-Cities, TN 423-467-8401  
Knoxville, TN 865-546-5800  
Spartanburg, SC 864-574-4715  
Charleston, SC 843-934-5650  
Middleboro, KY 606-248-6600  
Atlanta, GA 770-627-3590

Copyright © 2006 Vaughn & Melton, Inc. All Rights Reserved

STATE OF NORTH CAROLINA  
DEPARTMENT OF TRANSPORTATION  
RALEIGH  
84" OD WELDED STEEL PIPE W/ RISER STRUCTURE  
ON UT TO NEUSE RIVER UNDER NC 42 BETWEEN SR 1704 AND SR 2677

REVISIONS						SHEET NO.
NO.	BY:	DATE:	NO.	BY:	DATE:	C2-5
1			3			TOTAL SHEETS
2			4			7

DSG. ENG. OF RECORD: CB  
DWN. BY: MAF DATE: 3/18  
CHKD. BY: HLW DATE: 3/18