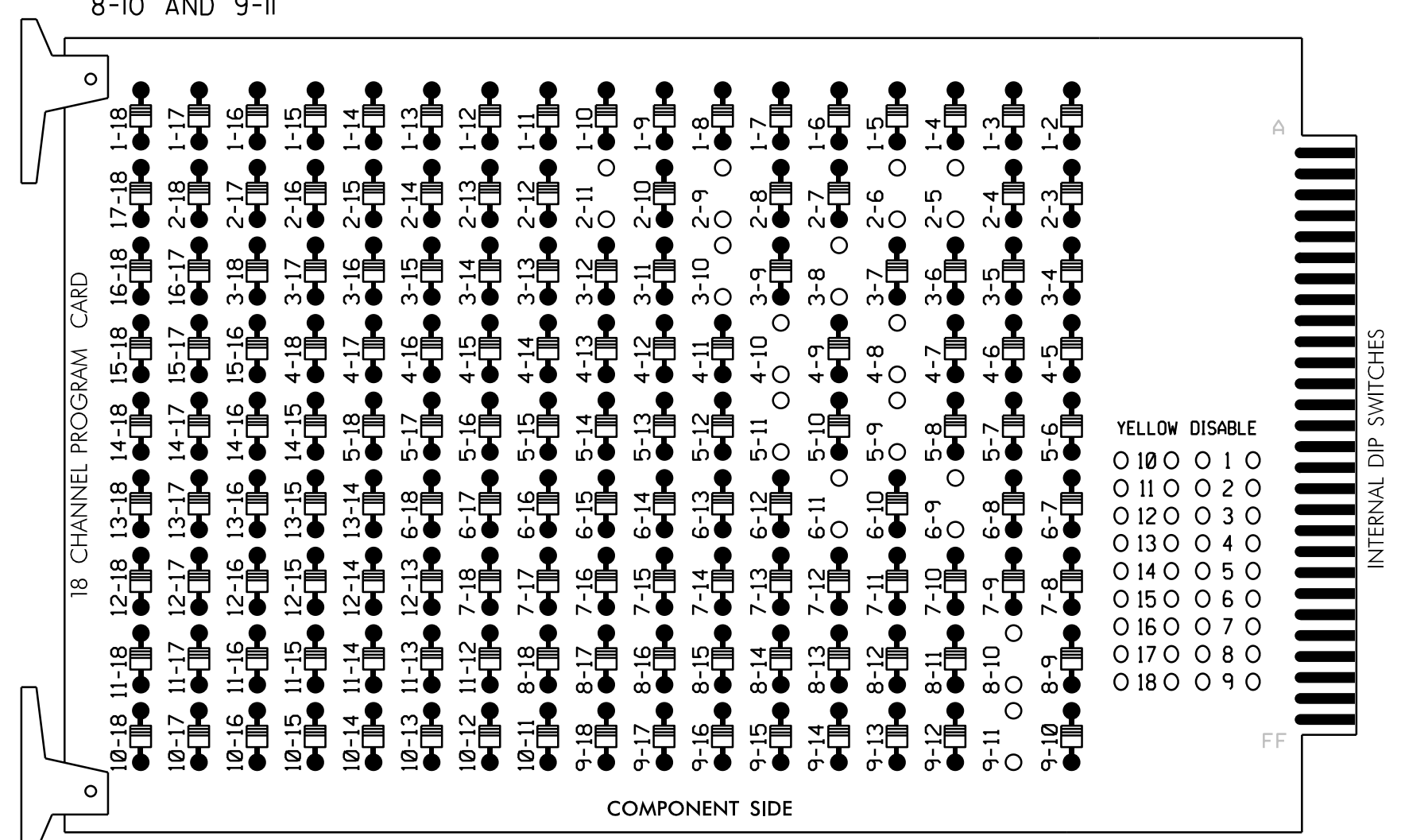


EDI MODEL 2018ECL-NC CONFLICT MONITOR PROGRAMMING DETAIL

(remove jumpers and set switches as shown)

REMOVE DIODE JUMPERS 2-5, 2-6, 2-9, 2-II, 3-8, 3-10, 4-8, 4-10, 5-9, 5-II, 6-9, 6-II, 8-10 AND 9-II



REMOVE JUMPERS AS SHOWN

NOTES:

- Card is provided with all diode jumpers in place. Removal of any jumper allows its channels to run concurrently.
- Ensure jumpers SEL2-SEL5 and SEL9 are present on the monitor board.
- Ensure that Red Enable is active at all times during normal operation.
- Connect serial cable from conflict monitor to comm. port 1 of 2070 controller. Ensure conflict monitor communicates with 2070.

■ = DENOTES POSITION OF SWITCH

NOTES

- To prevent "flash-conflict" problems, insert red flash program blocks for all unused vehicle load switches in the output file. The installer shall verify that signal heads flash in accordance with the Signal Plans.
- Program phases 4 and 8 for Dual Entry.
- Enable Simultaneous Gap-Out for all Phases.
- Program phases 2 and 6 for Gap Reduction.
- Program phases 2 and 6 for Startup In Green.
- Program phases 2 and 6 for Yellow Flash and overlaps 1 and 2 as Wag Overlaps.
- If this signal will be managed by an ATMS software, enable controller and detector logging for all enabled detectors.
- The cabinet and controller are part of the NC 42 (East of Clayton) Closed Loop System, Signal System #10411.

EQUIPMENT INFORMATION

CONTROLLER.....2070
 CABINET332 W/ AUX
 SOFTWAREECONOLITE OASIS
 CABINET MOUNT.....BASE
 OUTPUT FILE POSITIONS...18 WITH AUX. OUTPUT FILE
 LOAD SWITCHES USED.....S2,S4,S5,S7,S8,S11,AUX S1,AUX S2,AUX S4
 PHASES USED.....2,3,4,5,6,8
 OVERLAP "A".....2
 OVERLAP "B".....3+4
 OVERLAP "C".....5+6
 OVERLAP "D".....NOT USED

SIGNAL HEAD HOOK-UP CHART

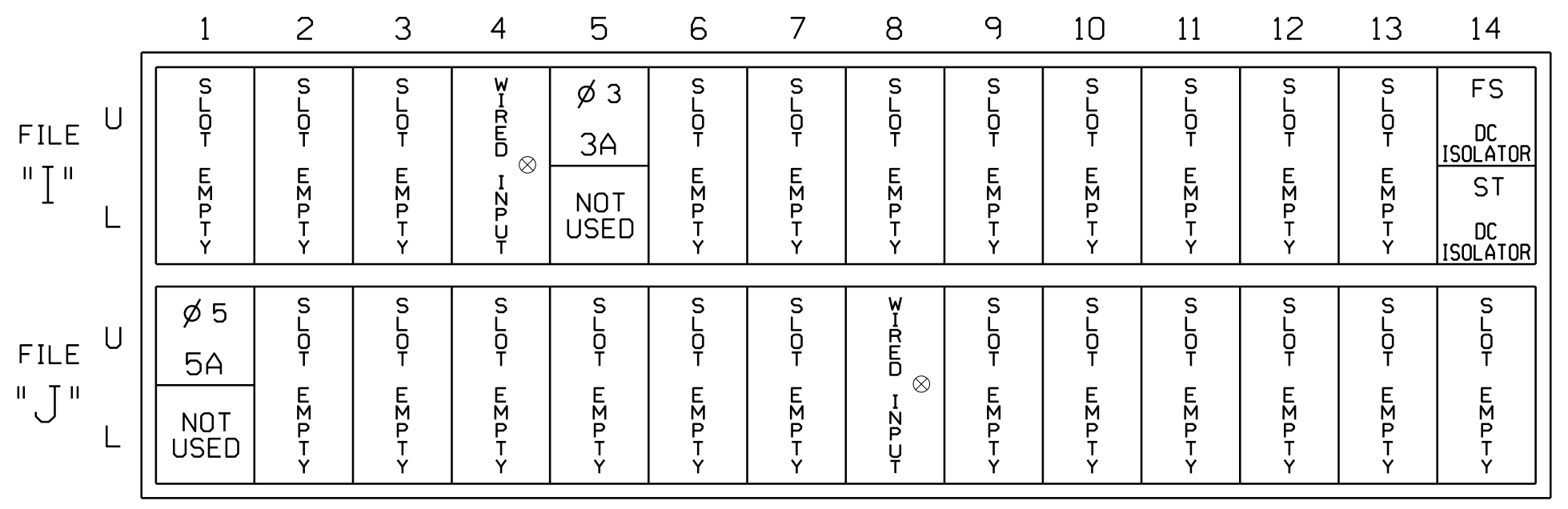
LOAD SWITCH NO.	S1	S2	S3	S4	S5	S6	S7	S8	S9	S10	S11	S12	AUX S1	AUX S2	AUX S3	AUX S4	AUX S5	AUX S6
CMU CHANNEL NO.	1	2	13	3	4	14	5	6	15	7	8	16	9	10	17	11	12	18
PHASE	1	2	2 PED	3	4	4 PED	5	6	6 PED	7	8	8 PED	OLA	OLB	SPARE	OLC	OLD	SPARE
SIGNAL HEAD NO.	NU	21,22	NU	31*	41,42	NU	51*	62,63	NU	NU	81,82	NU	61*	31*	NU	51*	NU	NU
RED		128			101			134			107							
YELLOW		129		*	102		*	135			108							
GREEN		130			103			136			109							
RED ARROW													A121	A124		A114		
YELLOW ARROW													A122	A125		A115		
FLASHING YELLOW ARROW													A123	A126		A116		
GREEN ARROW					118			133										

NU = Not Used

* Denotes install load resistor. See load resistor installation detail this sheet.
 ★ See pictorial of head wiring in detail below.

INPUT FILE POSITION LAYOUT

(front view)



EX.: 1A, 2A, ETC. = LOOP NO.'S

FS = FLASH SENSE
 ST = STOP TIME

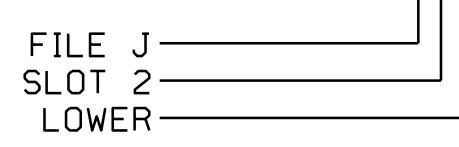
⊗ Wired Input - Do not populate slot with detector card

INPUT FILE CONNECTION & PROGRAMMING CHART

LOOP NO.	LOOP TERMINAL	INPUT FILE POS.	PIN NO.	INPUT ASSIGNMENT NO.	DETECTOR NO.	NEMA PHASE	CALL	EXTEND	FULL TIME DELAY	STRETCH TIME	DELAY TIME
3A ²	TB4-5,6	I5U	58	20	3	3	Y	Y			
	-	J8U	50	12	28	8	Y	Y			
5A ³	TB3-1,2	J1U	55	17	5	5	Y	Y			
	-	I4U	47	9	22	2	Y	Y			

- Add jumper from I5-W to J8-W, on rear of input file.
- Add jumper from J1-W to I4-W, on rear of input file.

INPUT FILE POSITION LEGEND: J2L



SPECIAL DETECTOR NOTE

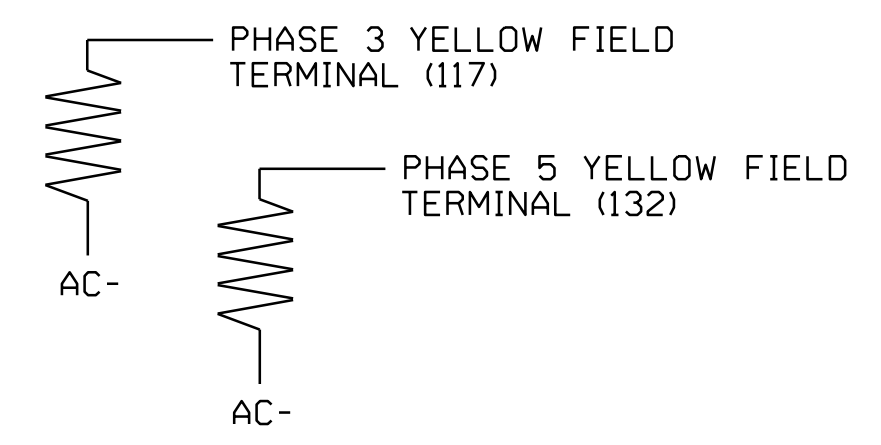
Install a video detection system for vehicle detection. Perform installation according to the manufacturer's directions and NCDOT engineer approved mounting locations to accomplish the detection schemes shown on the Signal Design Plans.

For Detection Zones 3A and 5A, the equipment placement and slots reserved for wired inputs are typical for a NCDOT installation.

LOAD RESISTOR INSTALLATION DETAIL

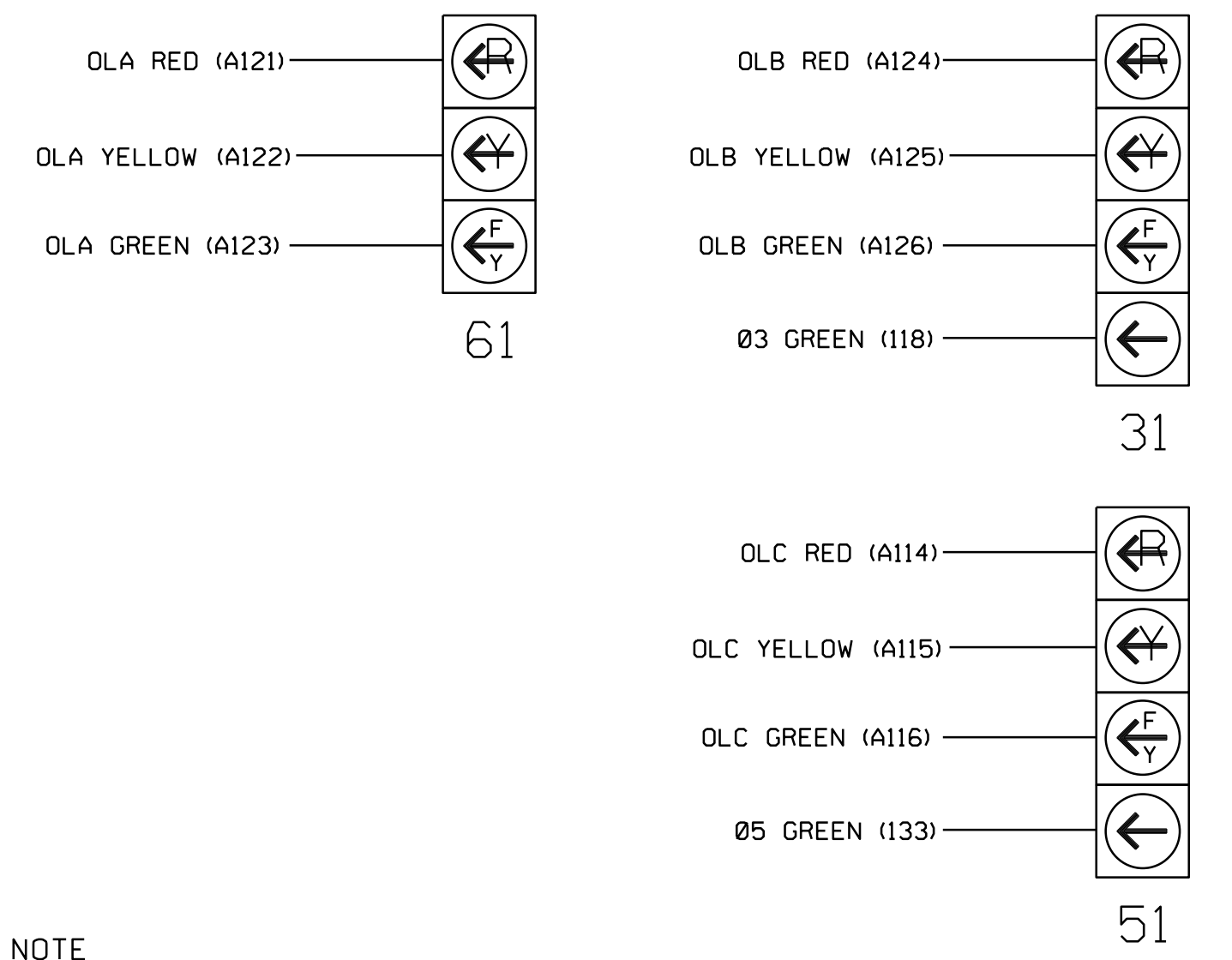
(install resistors as shown below)

ACCEPTABLE VALUES	
VALUE (ohms)	WATTAGE
1.5K - 1.9K	25W (min)
2.0K - 3.0K	10W (min)



FYA SIGNAL WIRING DETAIL

(wire signal heads as shown)



NOTE

- The sequence display for signal heads 31 and 51 requires special programming. See sheet 2 for programming instructions.

THIS ELECTRICAL DETAIL IS FOR THE SIGNAL DESIGN: 04-1432T1
 DESIGNED: Apr 2020
 SEALED: 4-30-2020
 REVISED: N/A

Electrical Detail - Sheet 1 of 2
 Temporary Design 1 - (TMP Phase 1, Step 1)

	NC 42 at Flowers Parkway		SEAL
	Division 4 Johnston County Clayton	NC 42 at Flowers Parkway	
ELECTRICAL AND PROGRAMMING DETAILS FOR:	PLAN DATE: April 2020 PREPARED BY: JT Stiff	REVIEWED BY: WJ Hamilton RKA PROJ. NO.: 19160 (040)	DATE: 4/30/20
REVISIONS	INIT.	DATE	SIGNATURE
DOCUMENT NOT CONSIDERED FINAL UNLESS ALL SIGNATURES COMPLETED			SIG. INVENTORY NO. 04-1432T1