

REVISION DESIGNED BY
ROADSIDE ENVIRONMENTAL UNIT
12/17/2020

Place Matting for Erosion Control on all Cut and Fill Slopes as Work Allows.
-L- Sta. 242+00 to Sta. 257+50 RT & LT
-Y13- Sta. 19+00 to Sta. 28+00 RT & LT

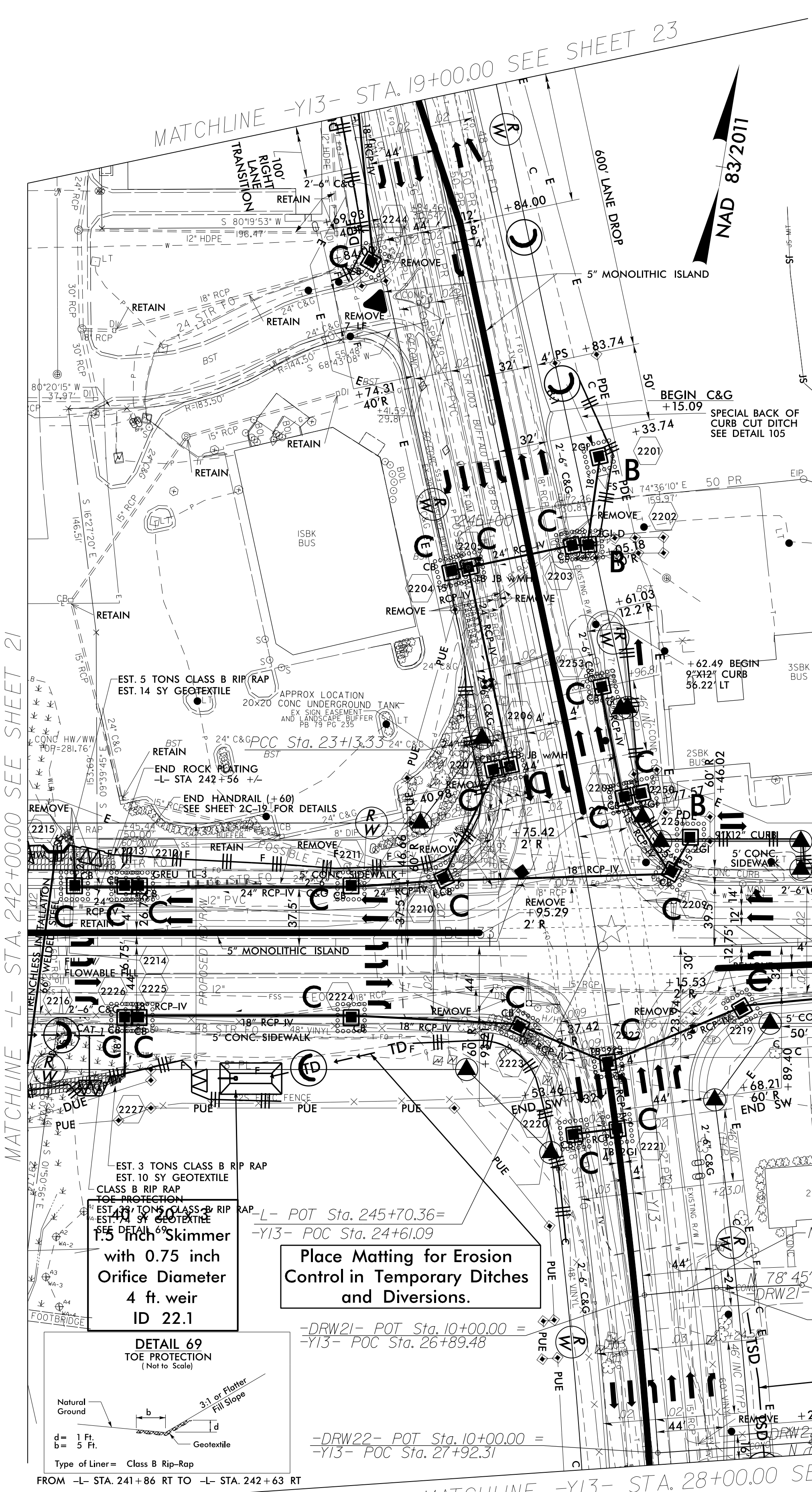
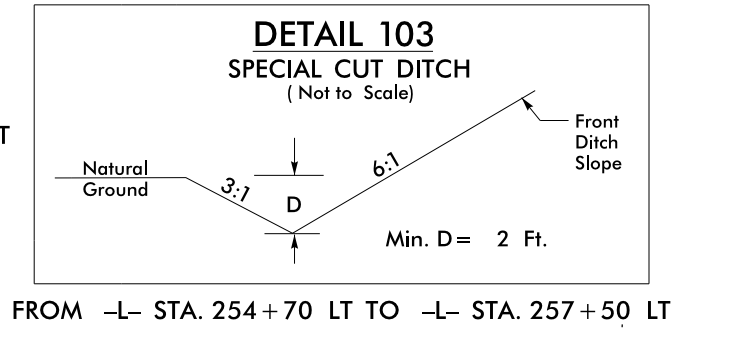
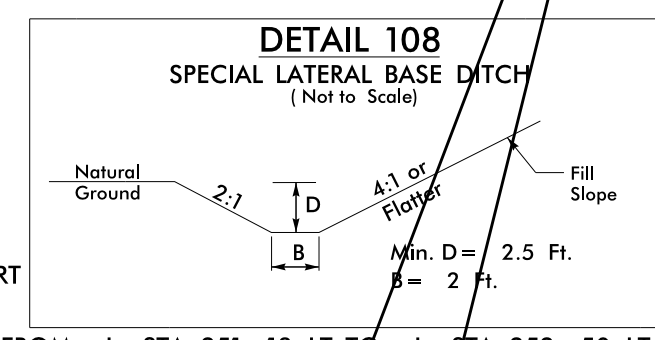
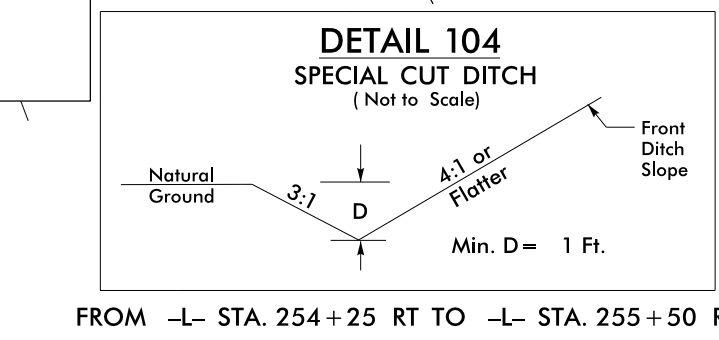
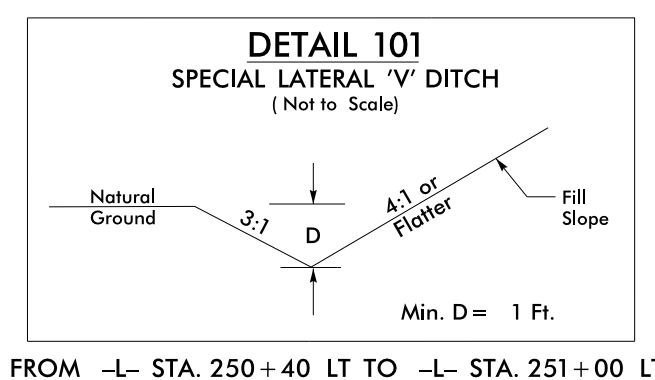
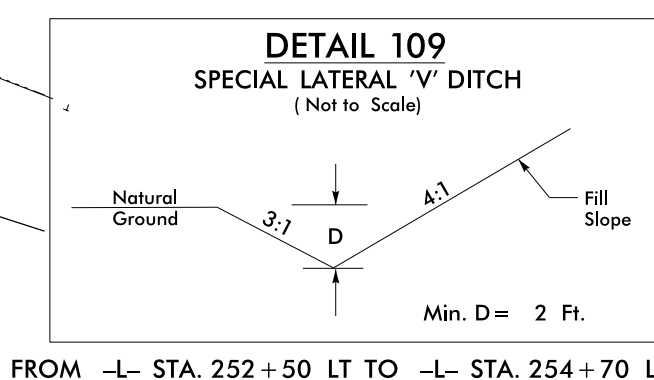
Place Matting for Erosion Control in Temporary Ditches and Diversions.

FOR ADDITIONAL DRAINAGE DITCH DETAILS SEE ROADWAY PLAN SHEET 22

END TIP PROJECT R-3825B -L- Sta. 257+50.00

Place Matting for Erosion Control in Temporary Ditches and Diversions.

INSTALL INLET PROTECTION IN ACCORDANCE WITH ENGINEER'S RECOMMENDATIONS



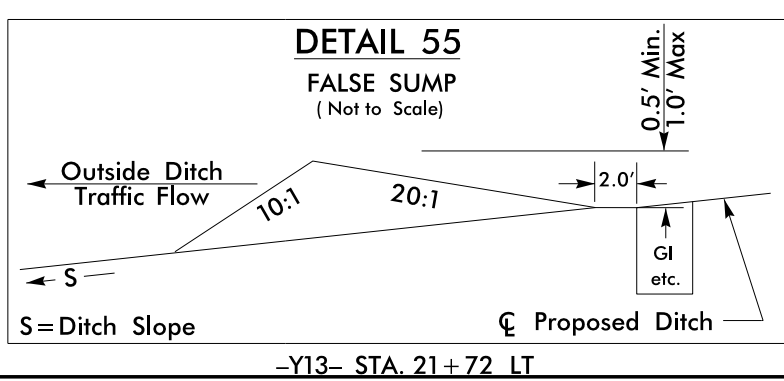
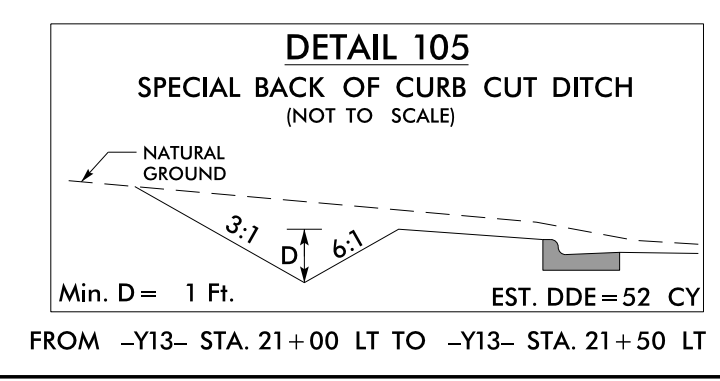
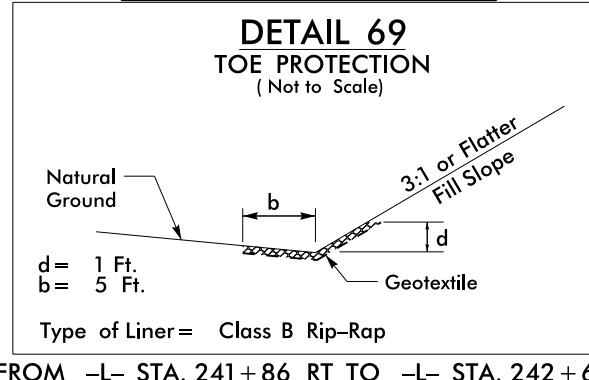
EST. 3 TONS CLASS B RIP RAP
EST. 10 SY GEOTEXTILE
CLASS B RIP RAP
EST. 10 SY GEOTEXTILE
EST. 10 TONS CLASS B RIP RAP
EST. 10 SY GEOTEXTILE
1.5 inch Skimmer
with 0.75 inch
Orifice Diameter
4 ft. weir
ID 22.1

Place Matting for Erosion Control in Temporary Ditches and Diversions.

Place Matting for Erosion Control in Temporary Ditches and Diversions.

Install Sod Strip Behind Guard Rail

32' x 16' x 3'
1.5 inch Skimmer
with 0.50 inch
Orifice Diameter
4 ft. weir
ID 22.3



REVISIONS
1 - ROW, PUE, PDE, AND EASEMENTS UPDATED ON PARCEL 100 FROM STA. 218+77 TO 244+77 (10/12/2018) TLH
2 - TCE ADDED TO PARCEL 105 FROM -Y13- STA. 20+81.91 TO 22+46.96, 59' RT (11/22/2019) HN

8/17/99

MATCHLINE -L- STA. 242+00.00 SEE SHEET 21

MATCHLINE -Y13- STA. 19+00.00 SEE SHEET 23

MATCHLINE -L- STA. 255+00.00 SEE THIS SHEET

MATCHLINE -L- STA. 255+00.00 SEE THIS SHEET

MATCHLINE -Y13- STA. 28+00.00 SEE SHEET 23