

CONFIDENTIAL AND PROPRIETARY PROPERTY OF
EBDG - NC, PLLC
 MAY NOT BE USED FOR CONSTRUCTION OR PROVIDED TO
 ANY THIRD PARTIES WITHOUT PRIOR WRITTEN CONSENT.
 © 2018 ELLIOTT BAY DESIGN GROUP.

REVISION HISTORY

REV	ZONE	DESCRIPTION	DWN	DATE	APVD

GENERAL NOTES

1. VESSEL TO BE CONSTRUCTED IN ACCORDANCE WITH 46 CFR SUBCHAPTER H REGULATIONS.
2. FRAME SPACING IS 24".
3. TRANSVERSE BULKHEAD STIFFENER SPACING = 24" UNO
4. MAIN DECK CURTAIN PLATE 5/16" PLATE UNO
STIFFENERS 3"x3"x1/4" L THROUGHOUT UNO
5. CONTRACTOR SHALL VERIFY STRUCTURE FOR ALL FOUNDATIONS PRIOR TO CONSTRUCTION. SEE REF 1.

REFERENCES

1. 18026-200-832-1 TECHNICAL SPECIFICATION
2. 18026-200-061-1 SCANTLING CALCULATIONS
3. 18026-200-101-1 PROFILES AND DECK ARRANGEMENTS
4. 18026-200-120-1 MIDSHIP SECTION
5. 18026-200-130-2 MAIN DECK
6. 18026-200-150-2 SUPERSTRUCTURE 01 DECK TO PILOT HOUSE TOP
7. 18026-200-150-3 MAIN DECK BULKHEADS
8. 18026-200-513-1 MACHINERY VENTILATION ARRANGEMENT
9. 18026-200-170-1 MASTS
10. 18026-200-526-1 DECK DRAIN PIPING SYSTEM
9. 18026-200-624-1 WINDOW SCHEDULE
10. 18026-200-624-3 DOOR SCHEDULE
11. 18026-200-624-3 HATCH SCHEDULE

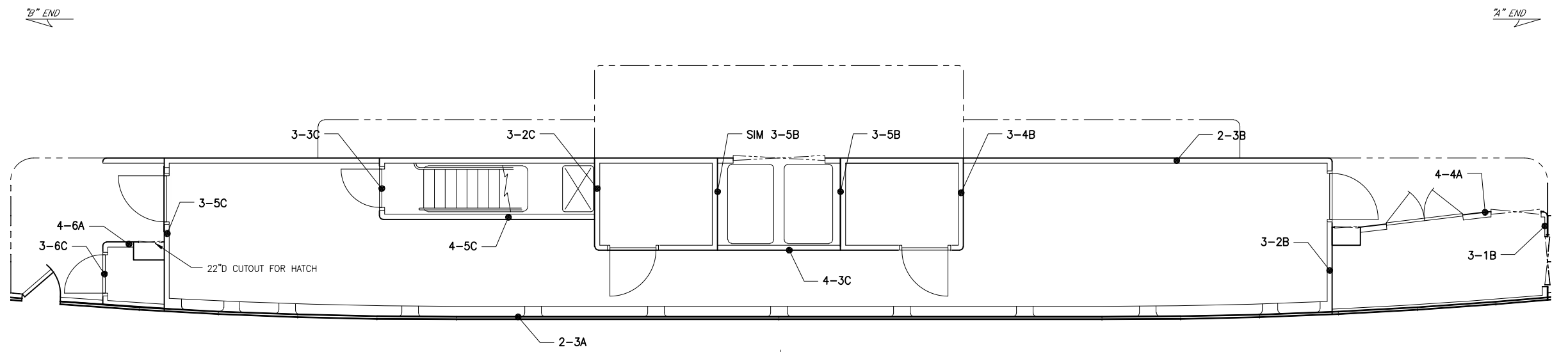
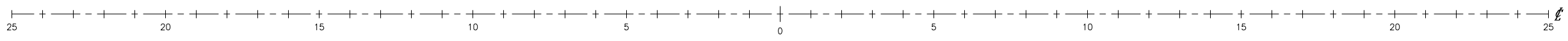


Elliott Bay Design Group
 North Carolina, PLLC

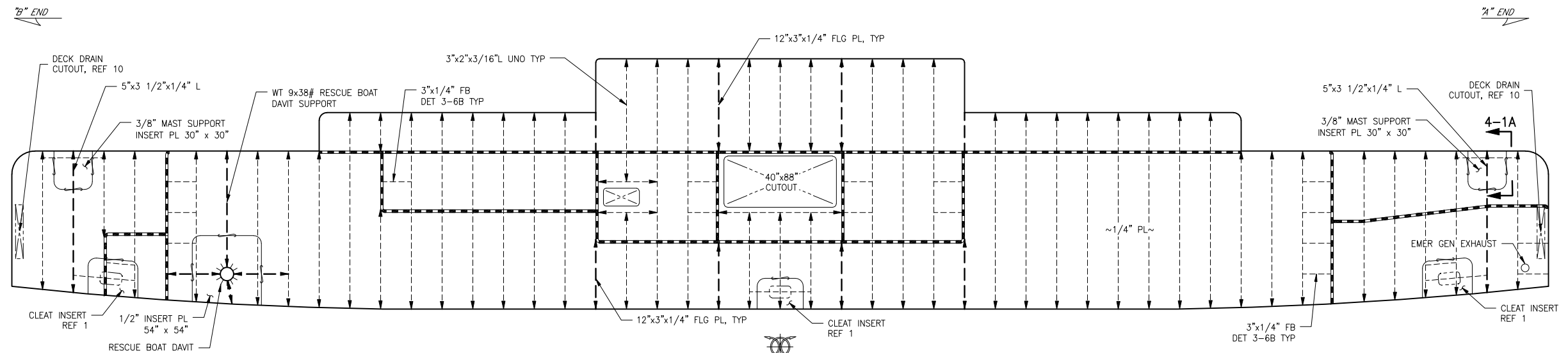
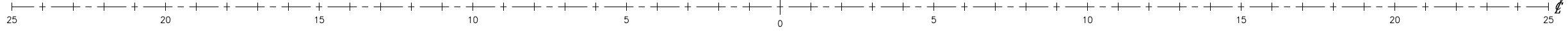
CLIENT: NORTH CAROLINA D.O.T.
 RALEIGH, NORTH CAROLINA
 PROJECT: DOUBLE-ENDED AZIMUTH DRIVE FERRY

TITLE: SUPERSTRUCTURE
 MAIN DECK TO 01 DECK

SIZE: D	DWG NO.: 18026-200-150-1	REV: -
SCALE: 1/4"=1'-0"	FILE NAME: 18026-200-150-1-	SHEET 1 OF 4
DWN: SKW	MOD: JCG	APVD: SKW
		APVD DATE: 7/26/2018



KEY PLAN 1-4C
 MAIN DECK BULKHEADS



DECK PLAN 1-4A
 01 DECK

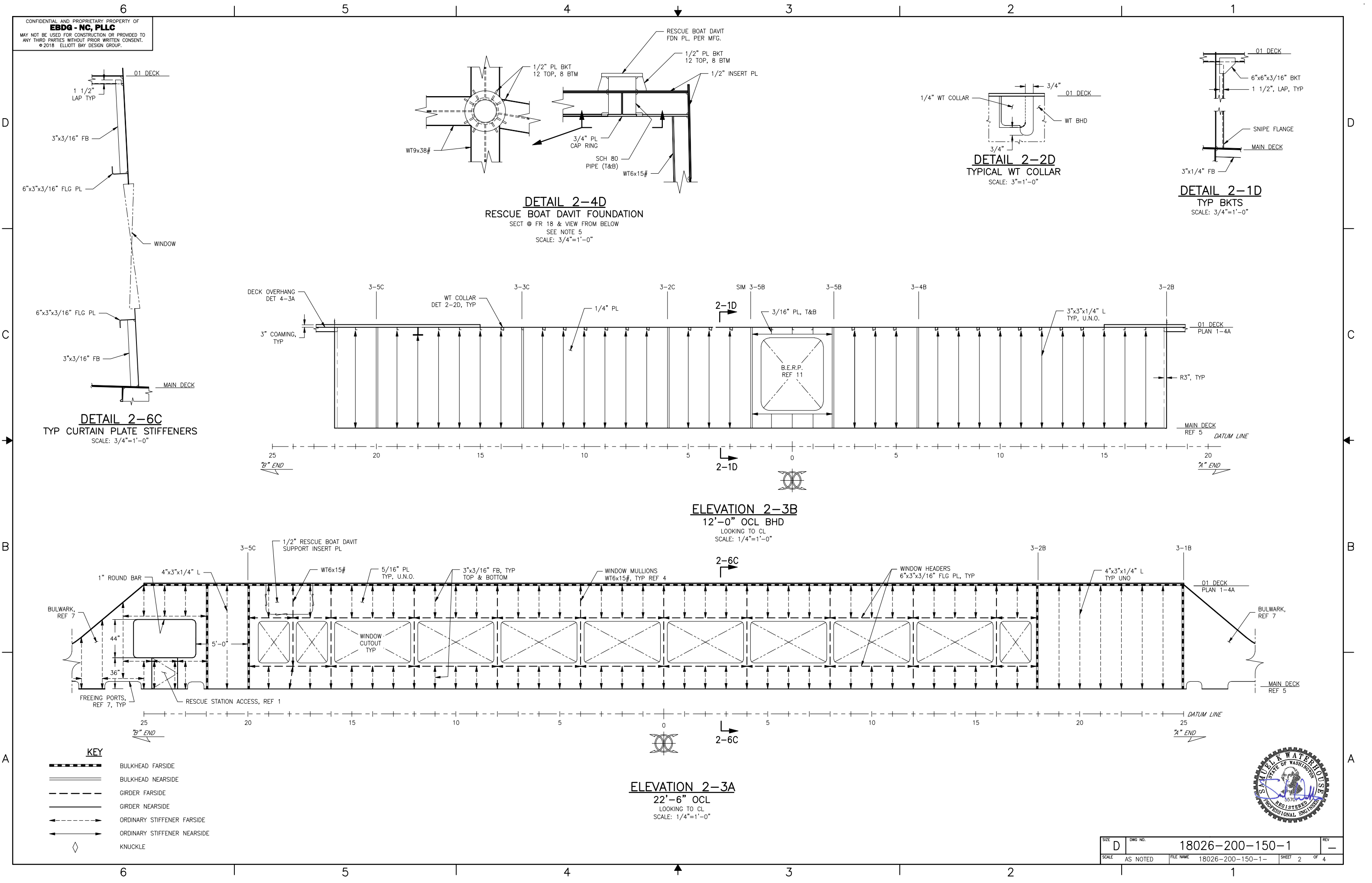
KEY

	BULKHEAD FAR SIDE
	BULKHEAD NEAR SIDE
	GIRDER FAR SIDE
	GIRDER NEAR SIDE
	ORDINARY STIFFENER FAR SIDE
	ORDINARY STIFFENER NEAR SIDE
	KNUCKLE



7/30/2018 4:10:41 PM

CONFIDENTIAL AND PROPRIETARY PROPERTY OF
EBDG - NC, PLLC
 MAY NOT BE USED FOR CONSTRUCTION OR PROVIDED TO
 ANY THIRD PARTIES WITHOUT PRIOR WRITTEN CONSENT.
 © 2018 ELLIOTT BAY DESIGN GROUP.



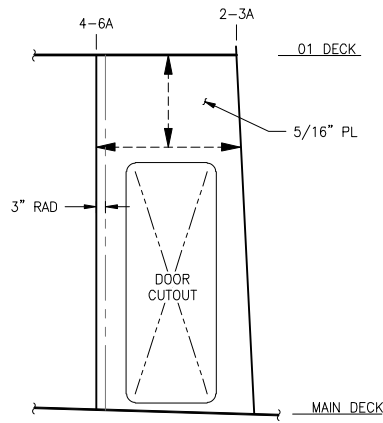
KEY

	BULKHEAD FAR SIDE
	BULKHEAD NEAR SIDE
	GIRDER FAR SIDE
	GIRDER NEAR SIDE
	ORDINARY STIFFENER FAR SIDE
	ORDINARY STIFFENER NEAR SIDE
	KNUCKLE

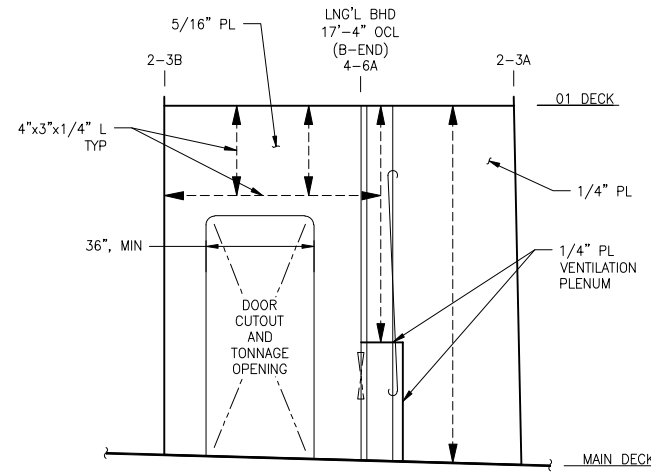


SIZE	D	DWG NO.	18026-200-150-1	REV	-
SCALE	AS NOTED	FILE NAME	18026-200-150-1-	SHEET	2 OF 4

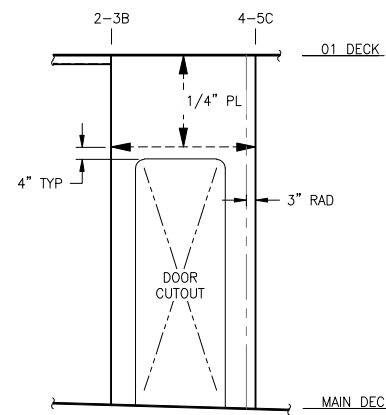
7/30/2018 4:10:46 PM



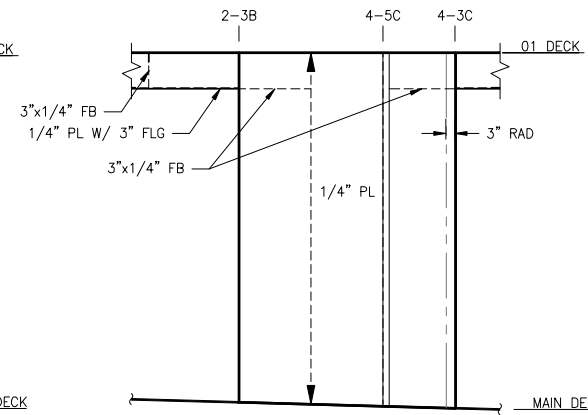
SECTION 3-6C
 FR 22, B-END
 LOOKING TO A-END
 3/8"=1'-0"



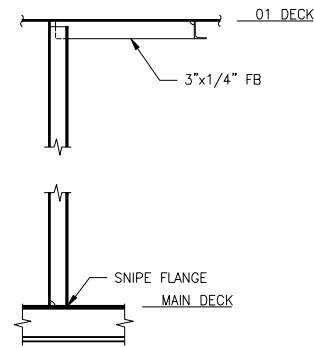
SECTION 3-5C
 FR 20, B-END
 LOOKING TO A-END
 3/8"=1'-0"



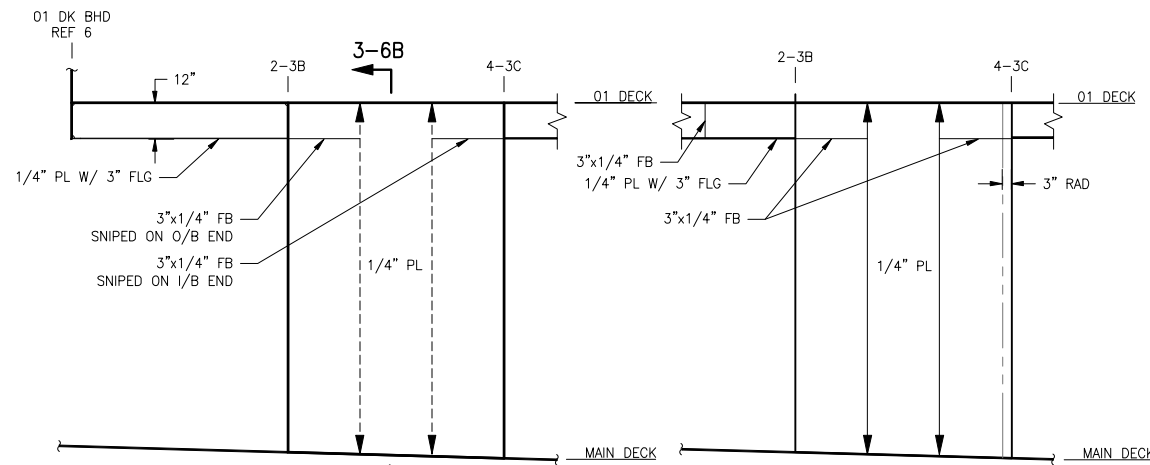
SECTION 3-3C
 FR 13, B-END
 LOOKING TO A-END
 3/8"=1'-0"



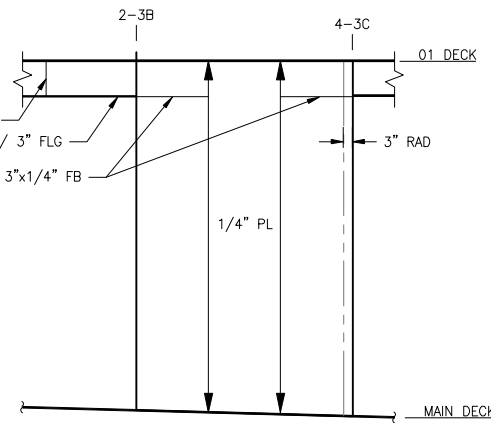
SECTION 3-2C
 FR 06, B-END
 LOOKING TO A-END
 3/8"=1'-0"



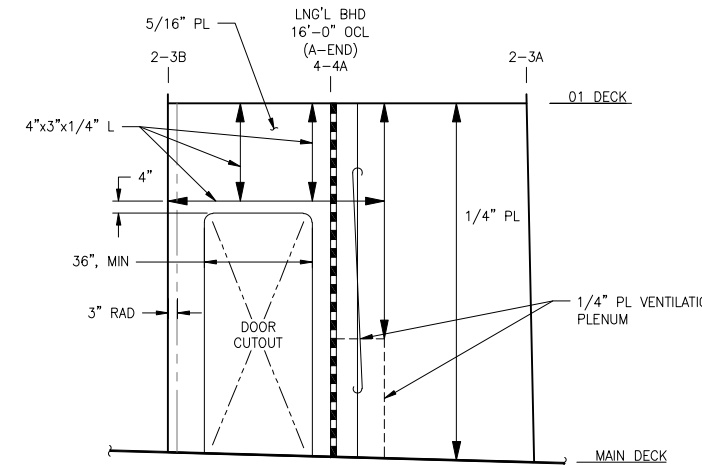
DETAIL 3-6B
 TYPICAL TRANSVERSE BHD STIFFENER
 SCALE: 3/4"=1'-0"



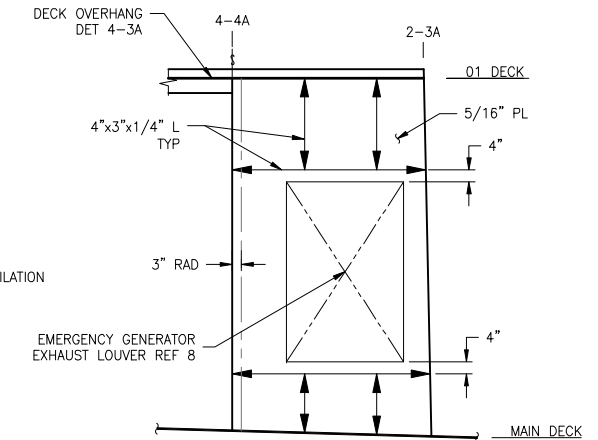
SECTION 3-5B
 FR 02, A-END
 LOOKING TO A-END
 B-END SIM/OPP
 3/8"=1'-0"



SECTION 3-4B
 FR 06, A-END
 LOOKING TO A-END
 3/8"=1'-0"



SECTION 3-2B
 FR 18, A-END
 LOOKING TO A-END
 3/8"=1'-0"



SECTION 3-1B
 FR 25, A-END
 LOOKING TO A-END
 3/8"=1'-0"

KEY

	BULKHEAD FAR SIDE
	BULKHEAD NEAR SIDE
	GIRDER FAR SIDE
	GIRDER NEAR SIDE
	ORDINARY STIFFENER FAR SIDE
	ORDINARY STIFFENER NEAR SIDE
	KNUCKLE

NOTE:
 BHD PLATE 1/4"
 STIFFENERS 3"x3"x1/4" L UNO



SIZE	D	DWG NO.	18026-200-150-1	REV	-
SCALE	AS NOTED	FILE NAME	18026-200-150-1-	SHEET	3 OF 4

7/30/2018 4:10:51 PM

6

5

4

3

2

1

D

D

C

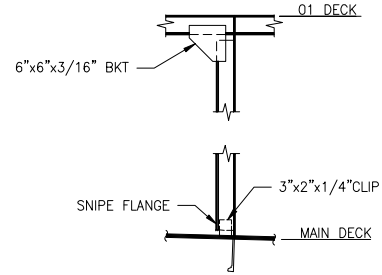
C

B

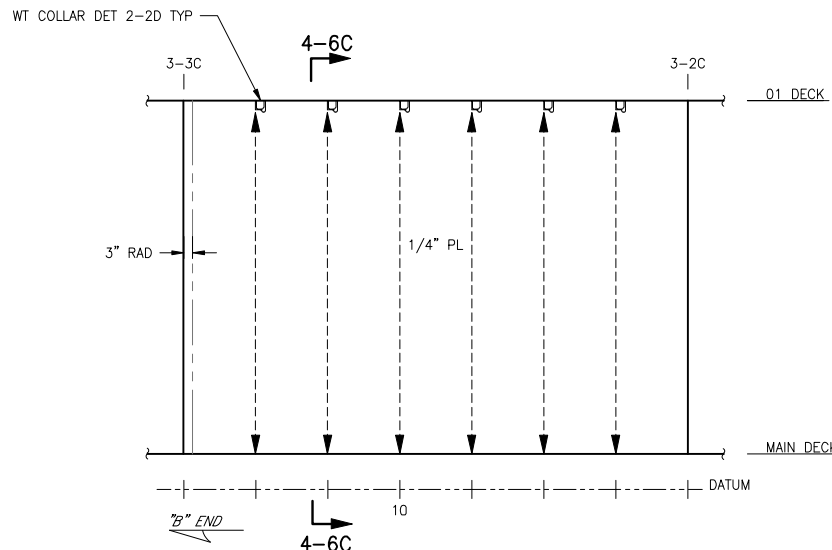
B

A

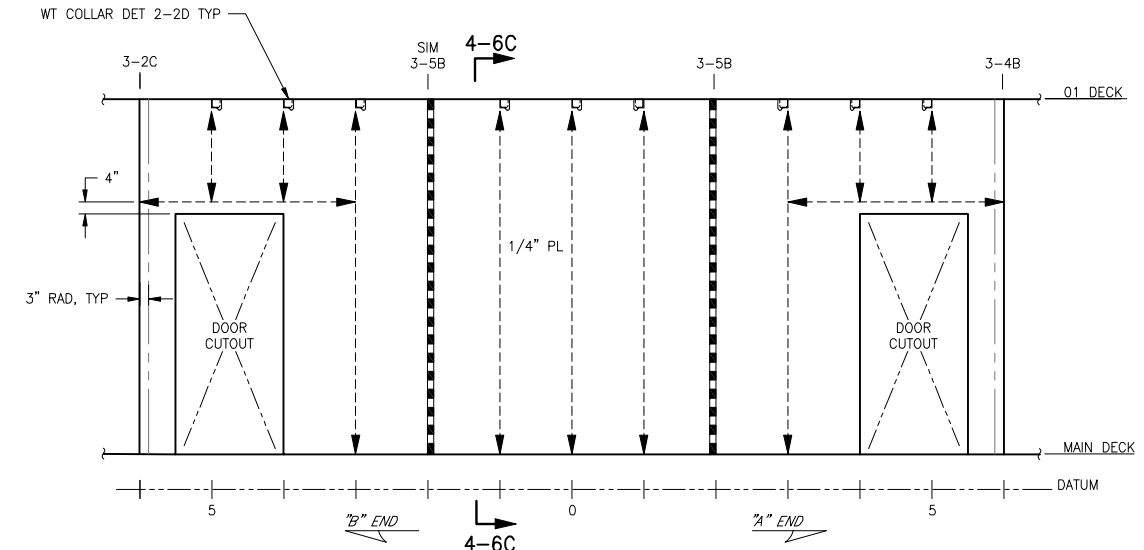
A



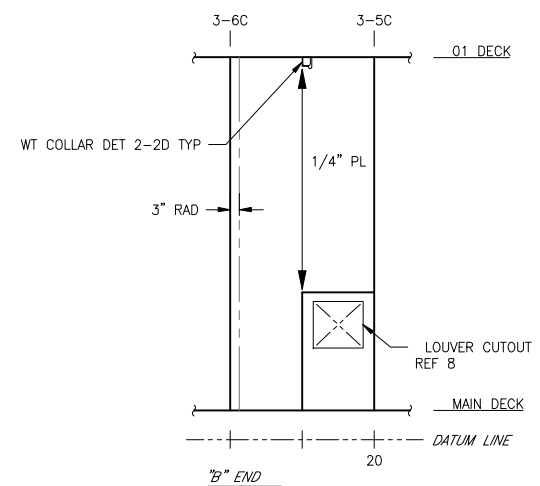
DETAIL 4-6C
 TYP BKT
 SCALE: 3/4"=1'-0"



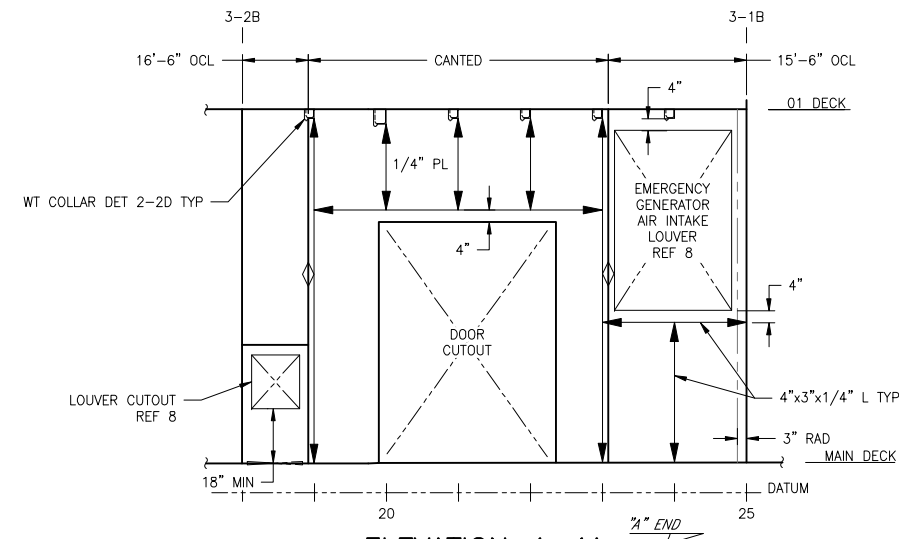
ELEVATION 4-5C
 16'-0" OCL BHD
 LOOKING TO CL
 SCALE: 3/8"=1'-0"



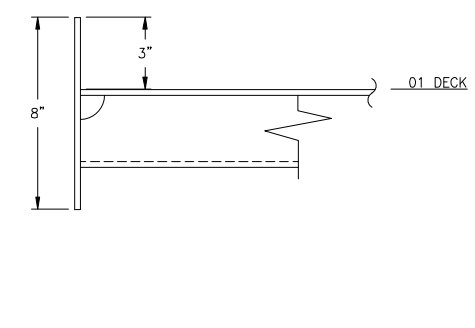
ELEVATION 4-3C
 18'-0" OCL BHD
 LOOKING TO CL
 SCALE: 3/8"=1'-0"



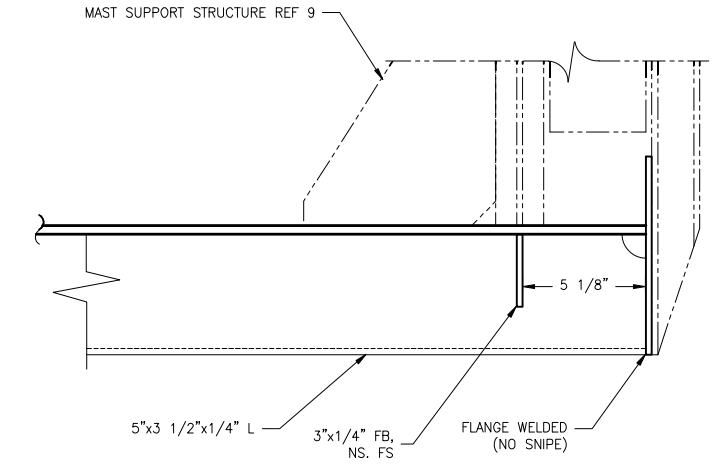
ELEVATION 4-6A
 17'-4" OCL BHD
 LOOKING TO CL
 SCALE: 3/8"=1'-0"



ELEVATION 4-4A
 16'-6" TO 15'-6" OCL BHD
 LOOKING TO CL
 SCALE: 3/8"=1'-0"



DETAIL 4-3A
 DECK EDGE AT OVERHANGS
 SCALE: 3"=1'-0"



DETAIL 4-1A
 MAST SUPPORT STIFFENER
 FRAME 23 A,B-END
 SCALE: 3"=1'-0"

KEY

	BULKHEAD FAR SIDE
	BULKHEAD NEAR SIDE
	GIRDER FAR SIDE
	GIRDER NEAR SIDE
	ORDINARY STIFFENER FAR SIDE
	ORDINARY STIFFENER NEAR SIDE
	KNUCKLE

NOTE:
 BHD PLATE 1/4"
 STIFFENERS 3"x3"x1/4" L UNO



SIZE	D	DWG NO.	18026-200-150-1	REV	
SCALE	AS NOTED	FILE NAME	18026-200-150-1-	SHEET	4 OF 4

6

5

4

3

2

1

7/30/2018 4:10:56 PM