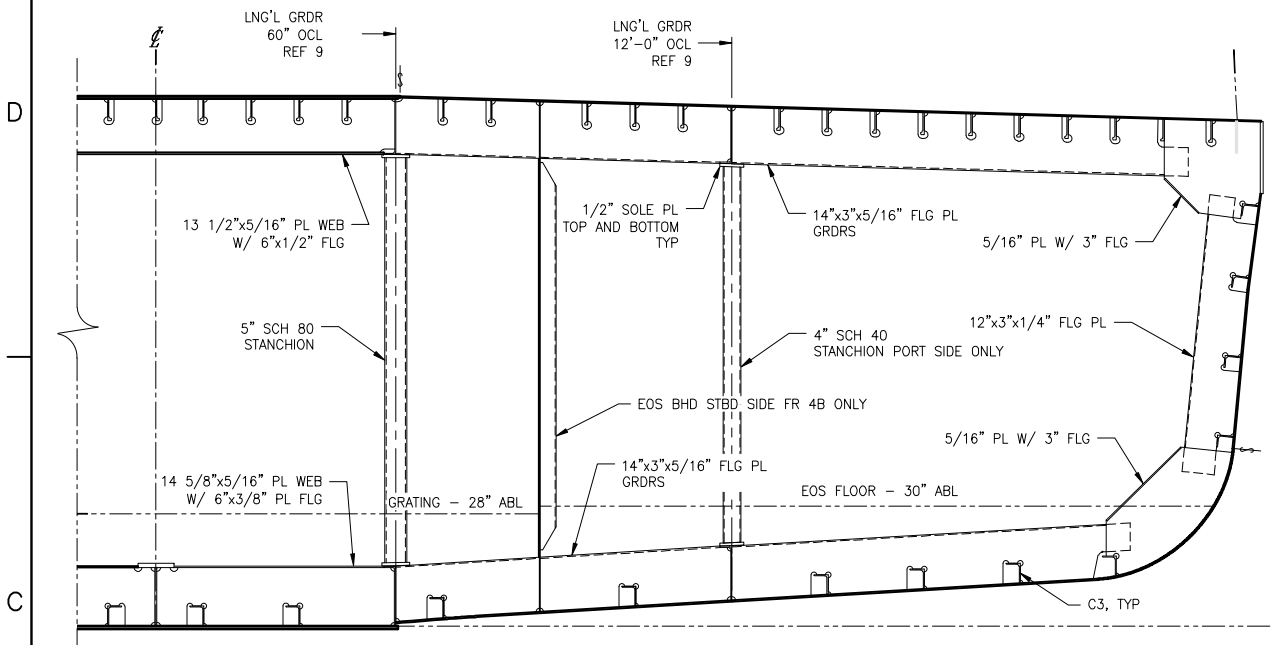
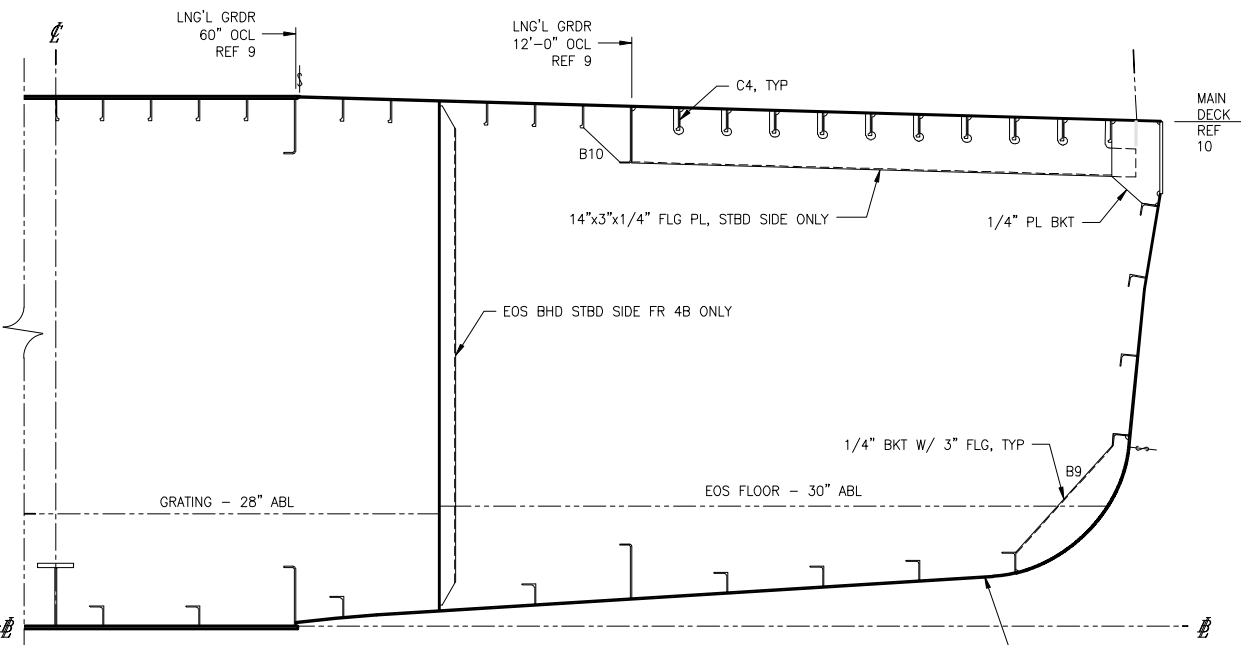


CONFIDENTIAL AND PROPRIETARY PROPERTY OF  
**EBDG - NC, PLLC**  
 MAY NOT BE USED FOR CONSTRUCTION OR PROVIDED TO  
 ANY THIRD PARTIES WITHOUT PRIOR WRITTEN CONSENT.  
 ©2018 ELLIOTT BAY DESIGN GROUP.

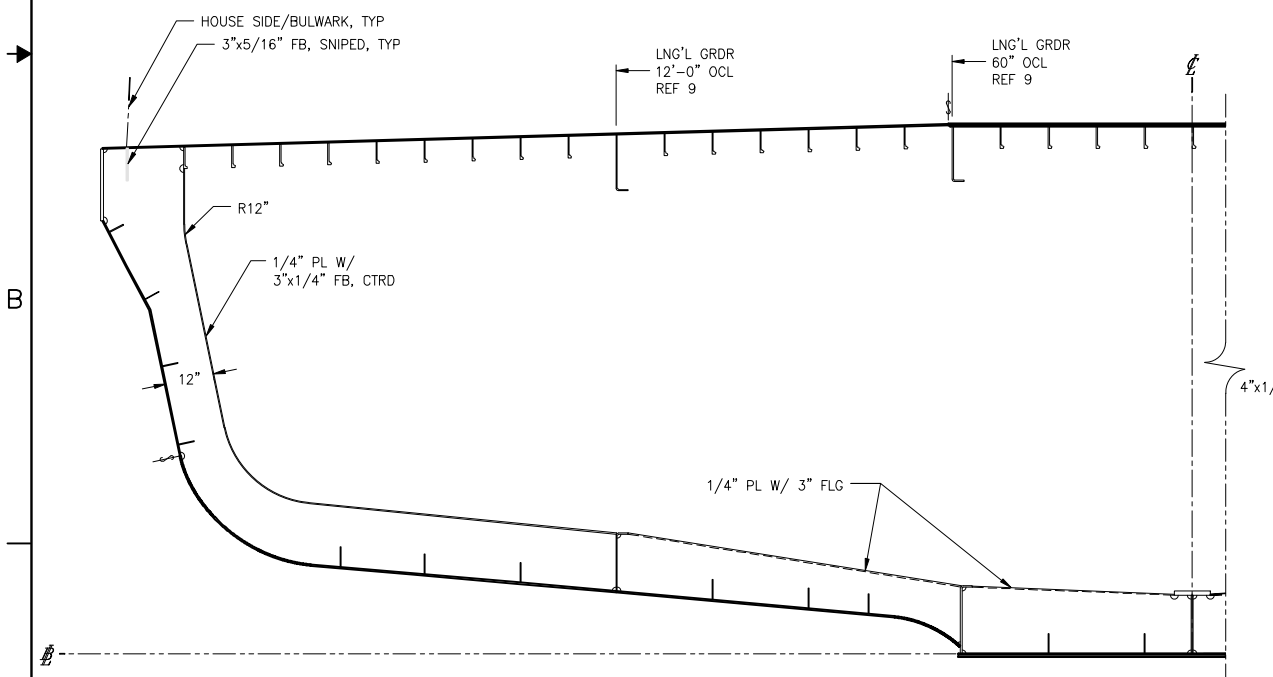
REVISION HISTORY					
REV	ZONE	DESCRIPTION	DWN	DATE	APVD



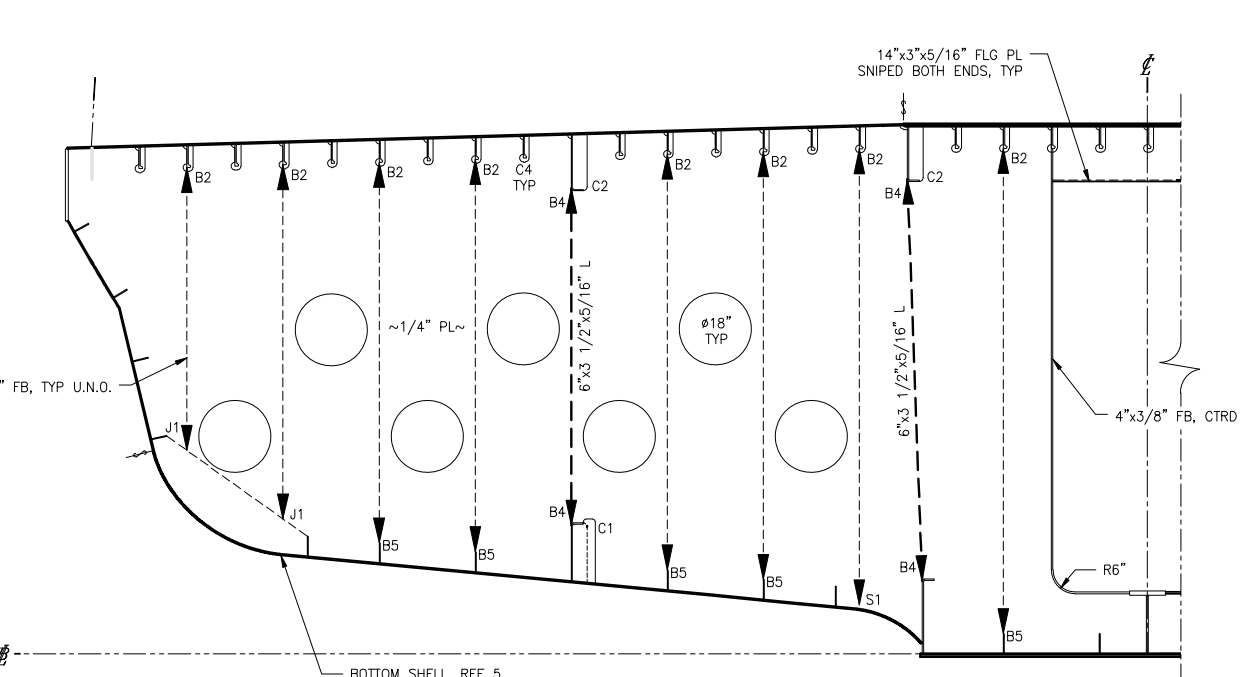
**SECTION 1-5C**  
**FRAME 04, 'B' END**  
 LOOKING FWD; STBD SIM/OPP  
 FRAMES 4A, BA, 12B SIM. U.N.O.



**SECTION 1-3C**  
**FRAME 06, 'B' END**  
 LOOKING FWD  
 'A' END SIM/OPP, U.N.O.



**SECTION 1-5A**  
**FRAME 18, 'B' END**  
 LOOKING FWD; STBD SIM/OPP  
 FRAMES 22, 26, 30, SIM. U.N.O.  
 'A' END SIM/OPP, INCLUDING 14A



**SECTION 1-3A**  
**FRAME 20 'B' END**  
 LOOKING FWD; STBD SIM/OPP  
 'A' END SIM/OPP, INCLUDING FR 12

**KEY**

	BULKHEAD FAR SIDE
	BULKHEAD NEAR SIDE
	GIRDER FAR SIDE
	GIRDER NEAR SIDE
	ORDINARY STIFFENER FAR SIDE
	ORDINARY STIFFENER NEAR SIDE
	KNUCKLE

**GENERAL NOTES**

- VESSEL TO BE CONSTRUCTED IN ACCORDANCE WITH 46 CFR SUBCHAPTER H REGULATIONS.
- FRAME SPACING IS 24" UNLESS NOTED OTHERWISE.

**REFERENCES**

- 18026-200-832-1 TECHNICAL SPECIFICATION
- 18026-200-061-1 SCANTLING CALCULATIONS
- 18026-200-100-1 LINES PLAN
- 18026-200-101-1 PROFILES AND DECK ARRANGEMENTS
- 18026-200-110-1 BOTTOM AND SIDE SHELL
- 18026-200-120-1 MIDSHIP SECTION
- 18026-200-120-3 HULL TRANSVERSE BULKHEADS
- 18026-200-120-4 HULL TRANSVERSE FRAMES
- 18026-200-120-5 HULL LONGITUDINAL BULKHEADS AND GIRDERS
- 18026-200-130-2 MAIN DECK
- 18026-200-180-1 PROPULSION UNIT FOUNDATIONS



**Elliott Bay Design Group**  
 North Carolina, PLLC

CLIENT: NORTH CAROLINA D.O.T.  
 RALEIGH, NORTH CAROLINA

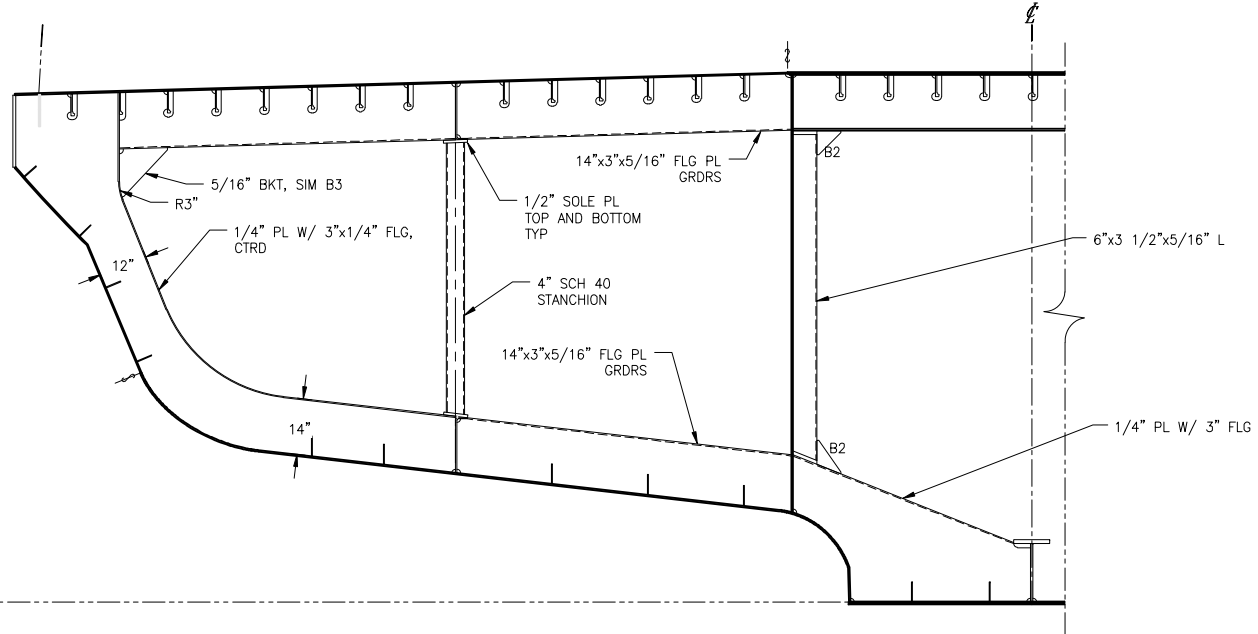
PROJECT: DOUBLE-ENDED AZIMUTH DRIVE FERRY



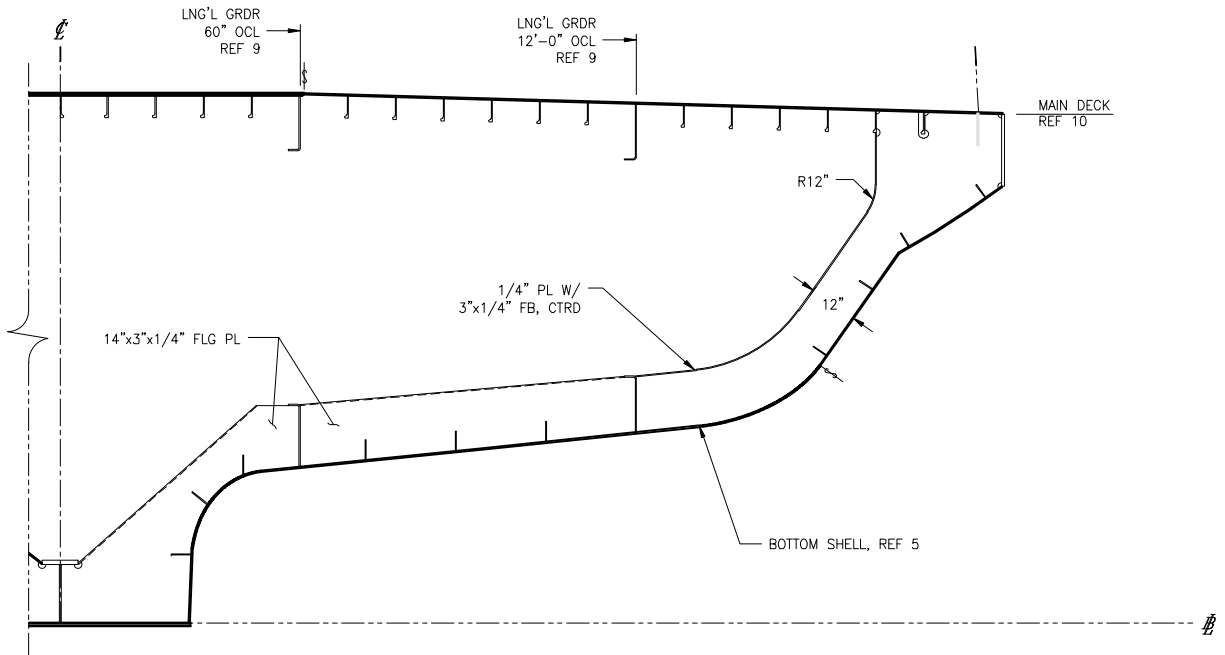
**HULL TRANSVERSE FRAMES**

SIZE: D	DWG NO.: 18026-200-120-4	REV: -
SCALE: 1/2" = 1'-0"	FILE NAME: 18026-200-120-4-	SHEET 1 OF 4
DWN: JCC	MOD: SKW	APVD: SKW
		APVD DATE: 7/26/2018

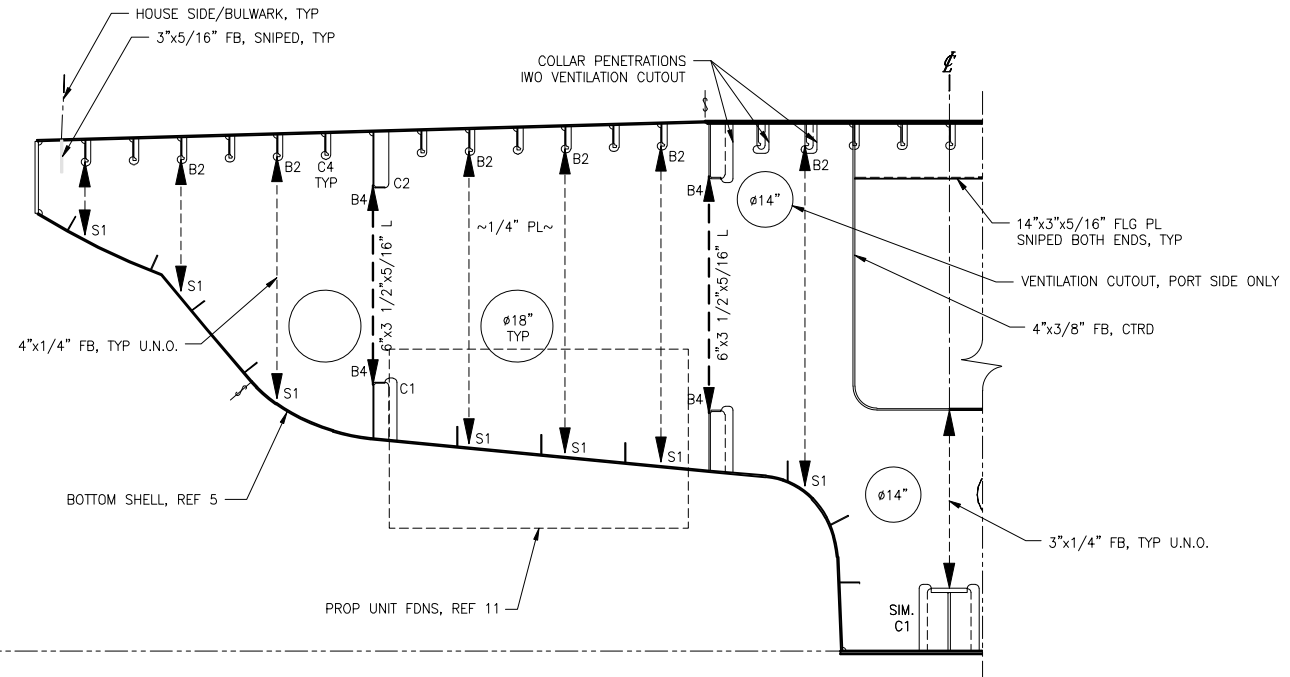
7/30/2018 4:08:19 PM



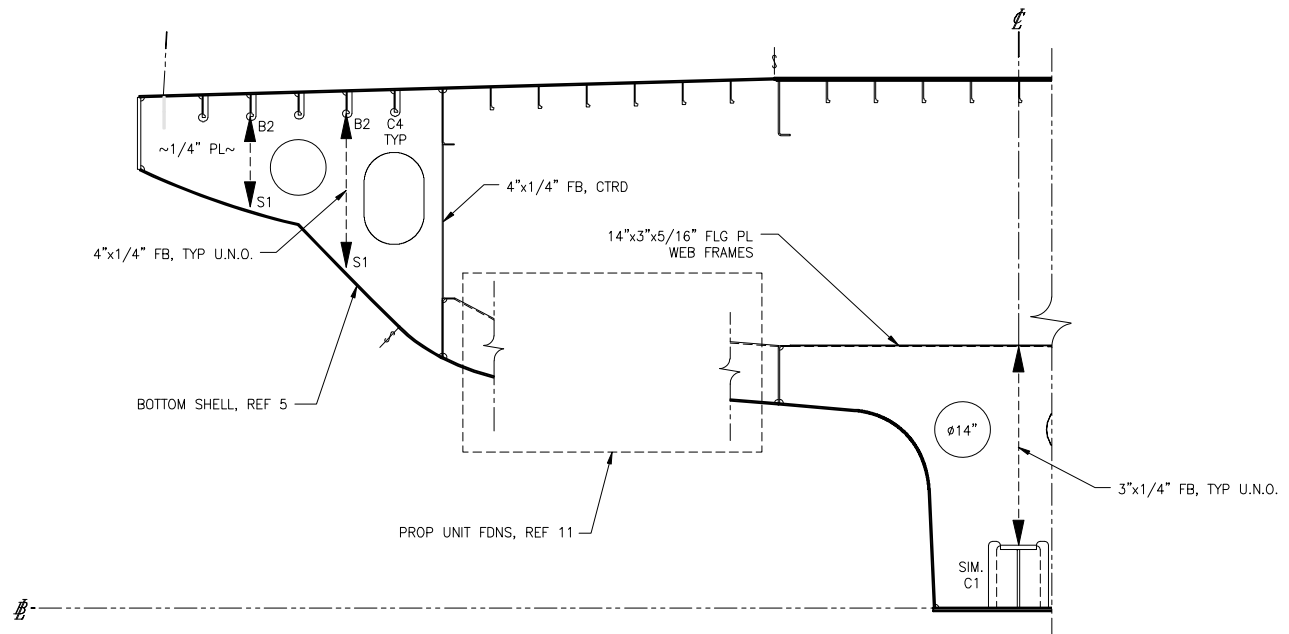
**SECTION 2-5C**  
**FRAME 28, 'B' END**  
 LOOKING FWD: STBD SIM/OPP  
 'A' END SIM/OPP



**SECTION 2-2C**  
**FRAME 34, 'B' END**  
 LOOKING FWD  
 'A' END SIM/OPP, U.N.O.



**SECTION 2-5A**  
**FRAME 36, 'B' END**  
 LOOKING FWD: STBD SIM/OPP  
 'A' END SIM/OPP



**SECTION 2-2A**  
**FRAME 38, 'B' END**  
 LOOKING FWD: STBD SIM/OPP  
 'A' END SIM/OPP

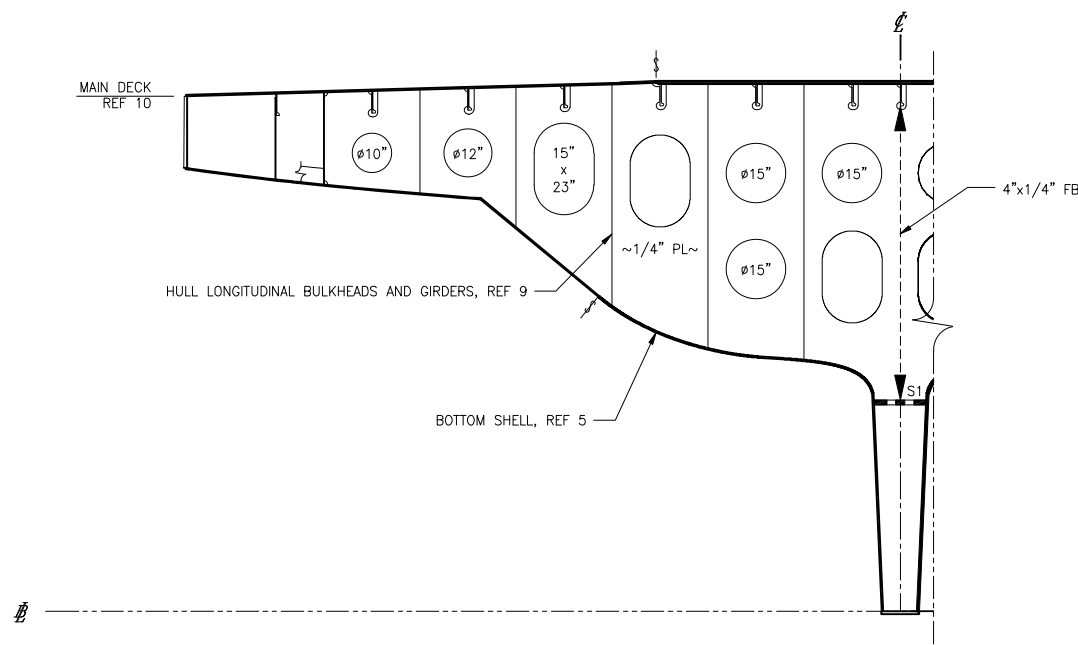


7/30/2018 4:08:23 PM

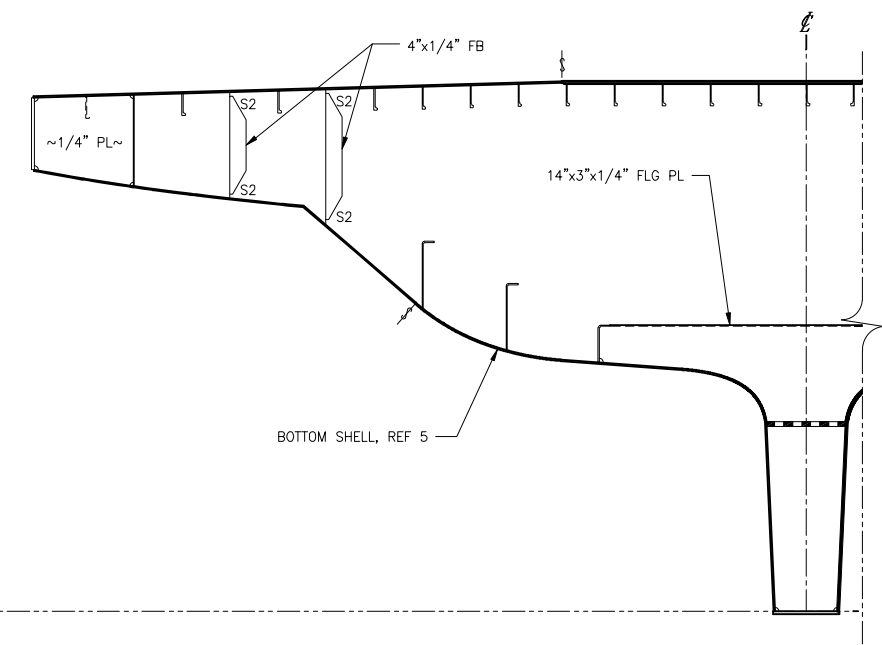
CONFIDENTIAL AND PROPRIETARY PROPERTY OF  
**EBDG - NC, PLLC**  
 MAY NOT BE USED FOR CONSTRUCTION OR PROVIDED TO  
 ANY THIRD PARTIES WITHOUT PRIOR WRITTEN CONSENT.  
 ©2018 ELLIOTT BAY DESIGN GROUP.

6 5 4 3 2 1

D  
C  
B  
A



**SECTION 3-5C**  
**FRAME 43, 'B' END**  
 LOOKING FWD; STBD SIM/OPP  
 'A' END SIM/OPP



**SECTION 3-2C**  
**FRAME 42, 'B' END**  
 LOOKING FWD; STBD SIM/OPP  
 FRAMES 41 SIM. U.N.O.  
 'A' END SIM/OPP

- KEY**
- BULKHEAD FAR SIDE
  - BULKHEAD NEAR SIDE
  - GIRDER FAR SIDE
  - GIRDER NEAR SIDE
  - ORDINARY STIFFENER FAR SIDE
  - ORDINARY STIFFENER NEAR SIDE
  - KNUCKLE



SIZE	D	DWG NO.	18026-200-120-4	REV	-
SCALE	1/2" = 1'-0"	FILE NAME	18026-200-120-4-	SHEET	3 OF 4

6 5 4 3 2 1

D  
C  
B  
A

7/30/2018 4:08:28 PM

CONFIDENTIAL AND PROPRIETARY PROPERTY OF  
**EBDG - NC, PLLC**  
 MAY NOT BE USED FOR CONSTRUCTION OR PROVIDED TO  
 ANY THIRD PARTIES WITHOUT PRIOR WRITTEN CONSENT.  
 ©2018 ELLIOTT BAY DESIGN GROUP.

6

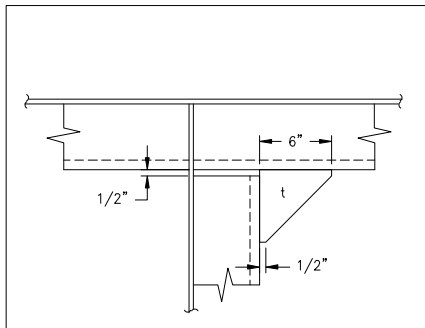
5

4

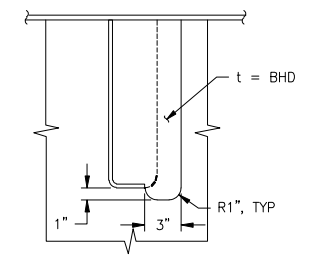
3

2

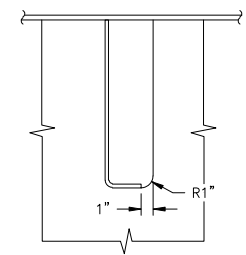
1



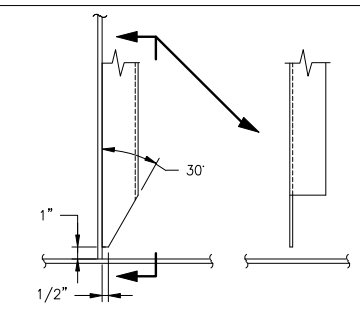
B2



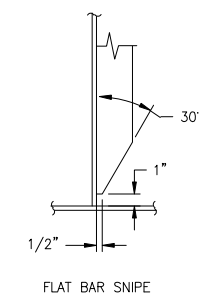
C1



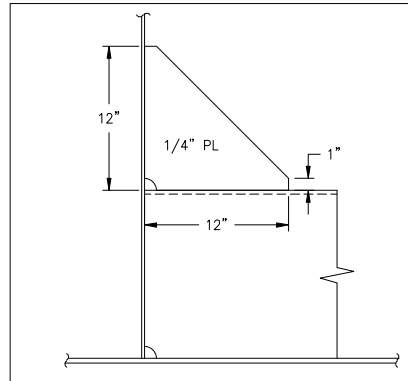
C2



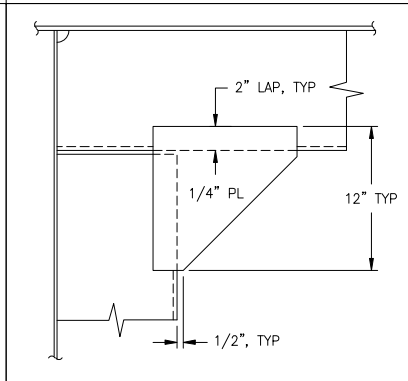
S1



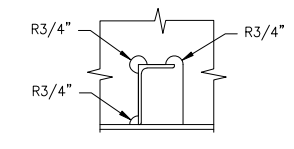
S2



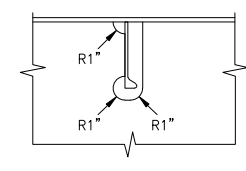
B3



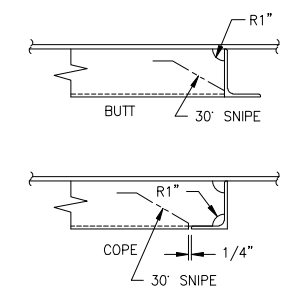
B4



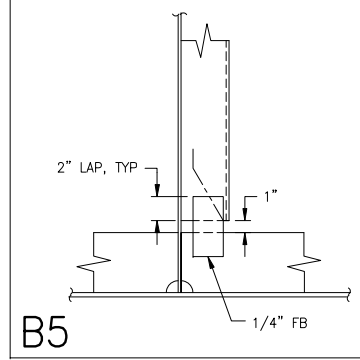
C3



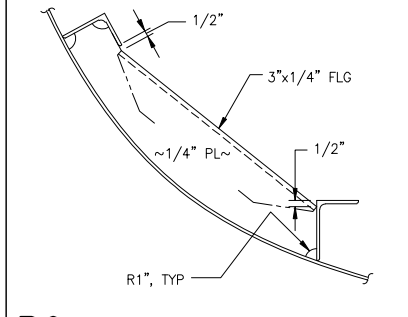
C4



J1



B5



B9



SIZE	D	DWG NO.	18026-200-120-4	REV	-
SCALE	1 1/2" = 1'-0"	FILE NAME	18026-200-120-4-	SHEET	4 OF 4

7/30/2018 4:08:33 PM