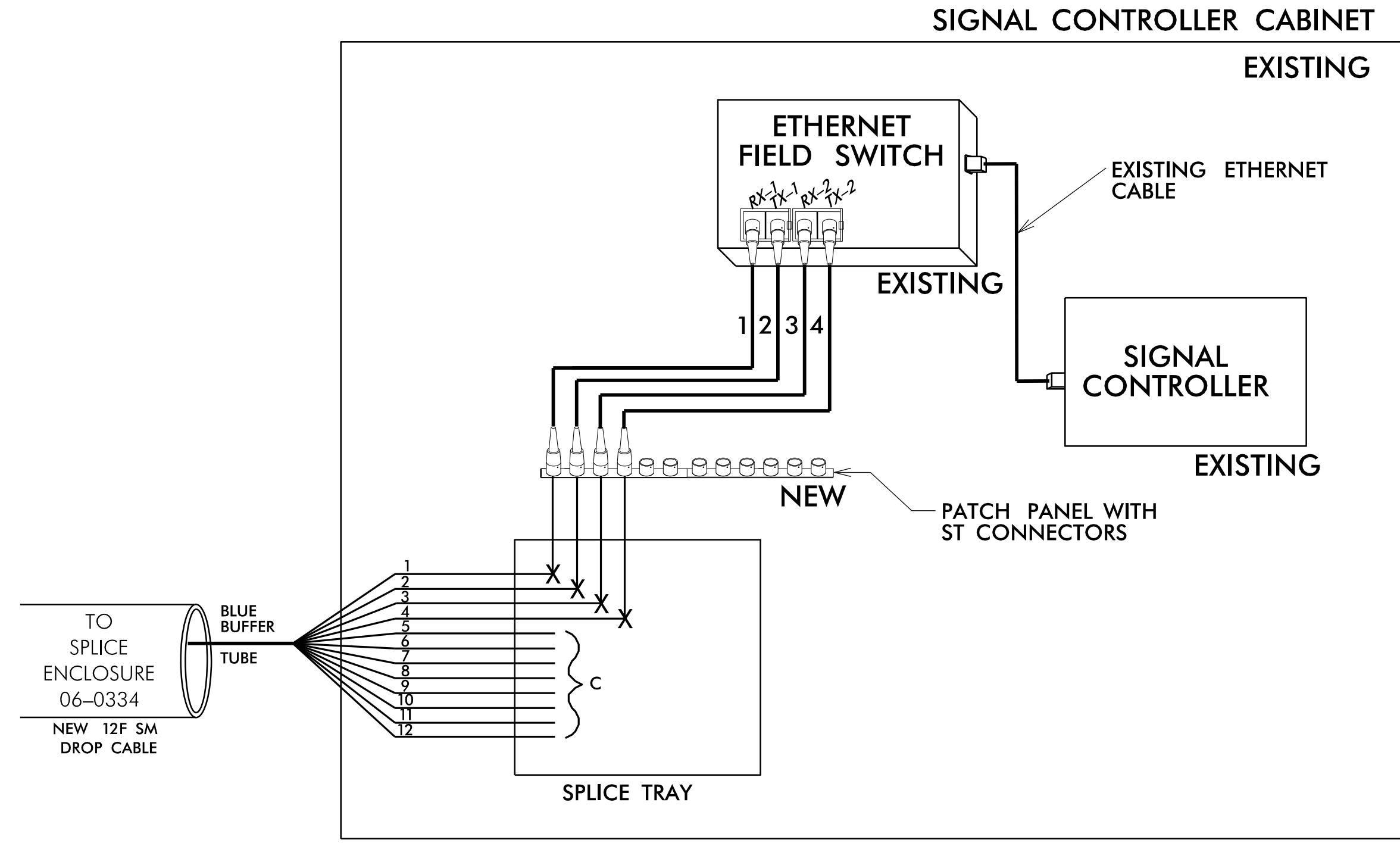


INTERSECTION 06-0334
US 401 Business (Raeford Road)
at Montclair Road
EXISTING CONTROLLER SIGNAL CABINET

LEGEND
X = FUSION SPlice
C = CAP IN TRAY
SM FIBER PATCH CORD WITH CONNECTORS

COLOR CODE
TIA/EIA 598-A

- (1) BLUE
- (2) ORANGE
- (3) GREEN
- (4) BROWN
- (5) SLATE
- (6) WHITE
- (7) RED
- (8) BLACK
- (9) YELLOW
- (10) VIOLET
- (11) ROSE
- (12) AQUA



1) FIVE (5) DAYS PRIOR TO BEGINNING WORK ON THE SIGNAL SYSTEM, CONTACT THE CITY OF FAYETTEVILLE'S, SIGNAL SYSTEMS MANAGEMENT ENGINEER, CARL MCCARTNEY AT (910) 433-1660 TO ARRANGE FOR THE DIVISION TO PROGRAM THE NEW FIELD ETHERNET SWITCHES WITH THE NECESSARY NETWORK CONFIGURATION DATA, INCLUDING BUT NOT LIMITED TO THE FOLLOWING:

- 1.) THE PROJECT IP ADDRESS, DEFAULT GATEWAY, SUBNET MASK AND VLAN ID INFORMATION.
- 2.) NOTIFY THE DEPUTY TRAFFIC ENGINEER AFTER ALL WORK IS PERFORMED TO ENSURE THAT ALL FIBER CIRCUITS ARE FUNCTIONING PROPERLY.
- 3.) WORK IS NOT COMPLETE UNTIL THE SYSTEM IS OPERATIONAL.

2) INCLUDE ON THE COVER OF EACH SPLICE TRAY THE FOLLOWING:

- REFERENCE SECTION 1731 "FIBER OPTIC SPLICE ENCLOSURE"
- 1.) SPLICE LOCATION
 - 2.) DATE
 - 3.) COMPANY NAME
 - 4.) NAME OF INDIVIDUAL PERFORMING THE SPLICING
- PRIOR TO INSTALLING THE COVER ON THE SPLICE TRAY TAKE A DIGITAL PHOTOGRAPH SHOWING THE SPLICE TRAY AND INFORMATION SHOWN ABOVE (1-4) AND SUBMIT PHOTOGRAPH ALONG WITH OTDR TEST RESULTS.

3) UNUSED FIBER SHALL BE LEFT COILED AND STORED IN THE SPLICE TRAY.

4) UNUSED BUFFER TUBES SHALL BE LEFT COILED AND STORED IN THE SPLICE TRAY.

5) ETHERNET SWITCH TERMINATION CONFIGURATIONS ARE GENERIC. CONTRACTOR IS RESPONSIBLE FOR DETERMINING AND ENSURING PROPER TERMINATIONS.

US 401 Business (Raeford Road)
at Montclair Road

FINAL

3/27/2018 U:\171001766*Transportation\Traffic\Signal\Des\gn\ITS U-4405*U-4405_Splicing_SCP-20 - SCP-42.dgn j.ingram

<p>Stantec Consulting Services Inc. 801 Jones Franklin Road Suite 300 Raleigh, NC 27606 Tel. (919) 851-6866 Fax. (919) 851-7024 www.stantec.com License No. F-0672</p>	<p>750 N. Greenfield Pkwy., Garner, NC 27529 SCALE N/A</p>	<p>FIBER CABLE SPLICING DETAILS INTERSECTION 06-0334</p>		<p>SEAL 045933 LAWRENCE E. OVERMAN DATE 3/29/2018</p>			
		<p>DIVISION 06 CUMBERLAND CO. FAYETTEVILLE</p> <p>PLAN DATE: MARCH 2018 REVIEWED BY: D. HARRIS</p> <p>PREPARED BY: J. INGRAM REVIEWED BY: B. WATSON</p>	<table border="1"> <thead> <tr> <th>REVISIONS</th> <th>INIT.</th> <th>DATE</th> </tr> </thead> <tbody> <tr> <td> </td> <td> </td> <td> </td> </tr> </tbody> </table>		REVISIONS	INIT.	DATE
REVISIONS	INIT.	DATE					