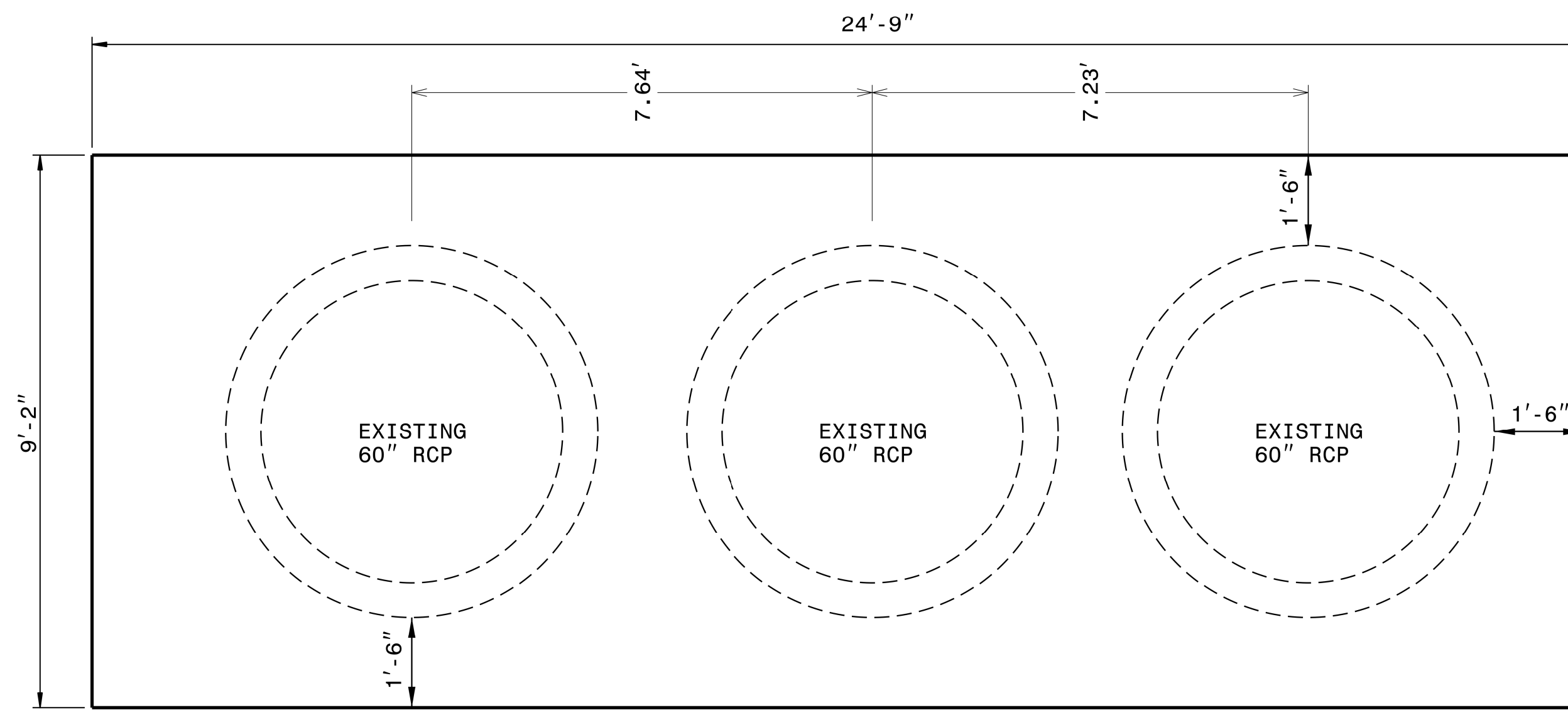
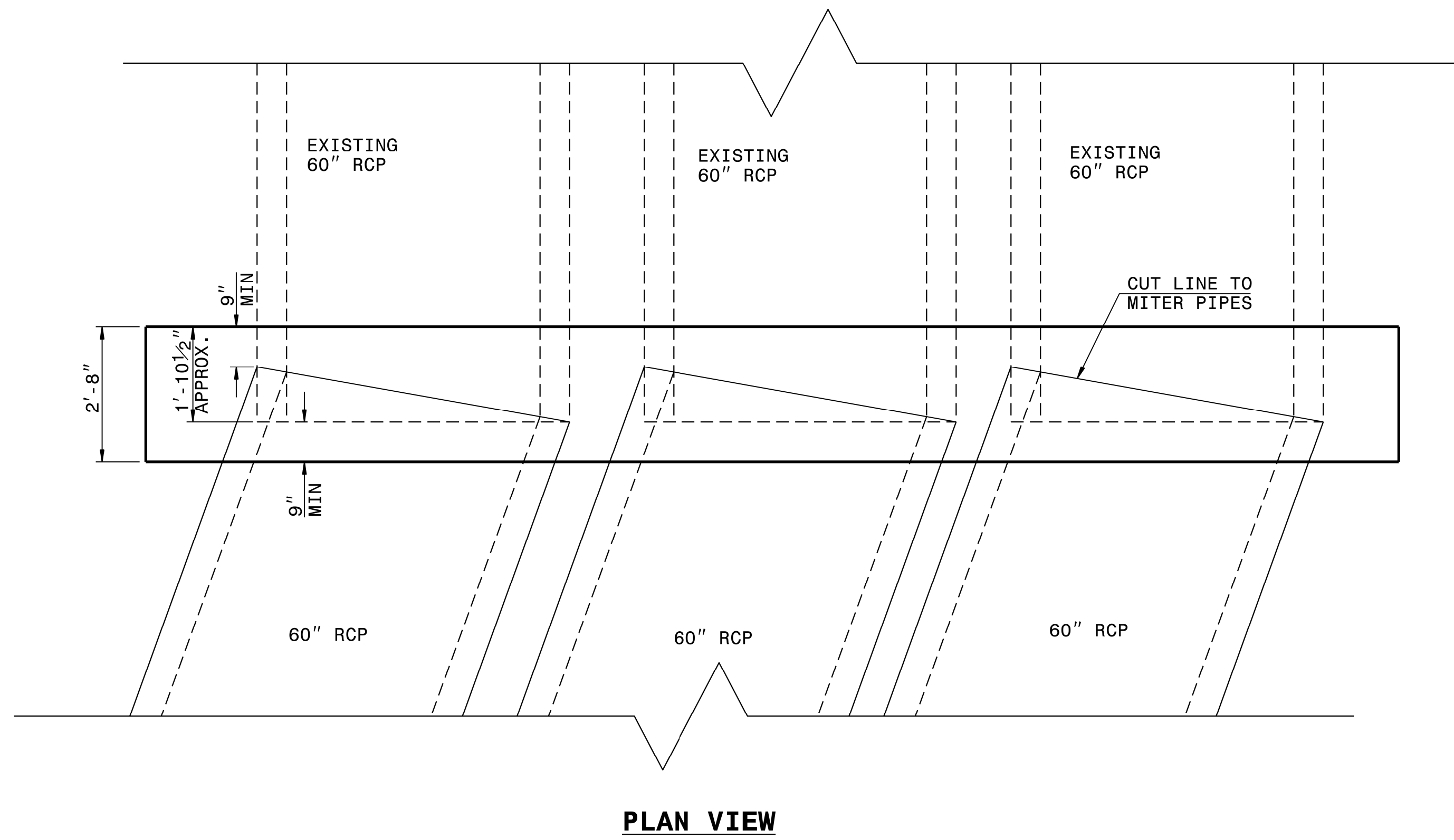


STATE OF
NORTH CAROLINA
DEPT. OF TRANSPORTATION
DIVISION OF HIGHWAYS
RALEIGH, N.C.

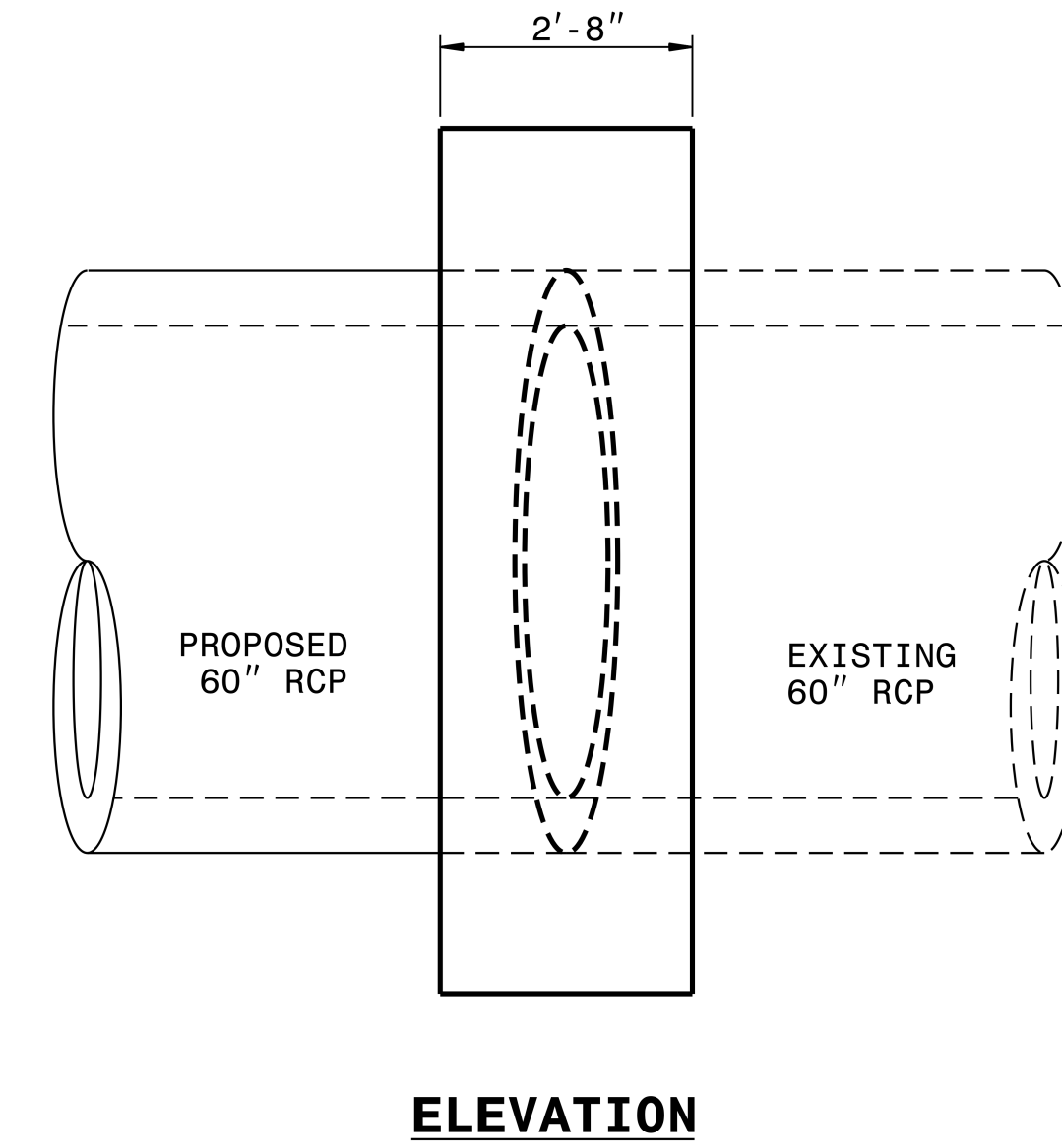
PIPE COLLAR

ENGLISH DETAIL DRAWING FOR

SHEET OF
840D72



SECTION THROUGH COLLAR



GENERAL NOTES:

USE PIPE COLLAR FOR EXTENDING EXISTING PIPE CULVERTS, AT LOCATIONS SHOWN ON PLANS OR AS DIRECTED BY THE ENGINEER. THIS INCLUDES EXTENDING EXISTING PIPES WITH PIPES OF DIFFERENT MATERIALS.

CUT PIPES AS DIRECTED BY THE ENGINEER TO INSURE TIGHT FIT.

CONSTRUCT THE PIPE COLLAR OF CLASS "B" OR BETTER CONCRETE.

DIMENSIONS MAY BE ADJUSTED IN THE FIELD AS DIRECTED BY THE ENGINEER.

BILL OF MATERIAL
CLASS "B" CONC. (Cu.Yds.) = 19.5

STATE OF
NORTH CAROLINA
DEPT. OF TRANSPORTATION
DIVISION OF HIGHWAYS
RALEIGH, N.C.

ENGLISH DETAIL DRAWING FOR

PIPE COLLAR

SHEET OF
840D72

DOCUMENT NOT CONSIDERED FINAL
UNLESS ALL SIGNATURES COMPLETED

CONTRACTS STANDARDS
AND DEVELOPMENT UNIT
Office 919-707-6950 FAX 919-250-4119

SEE PLATE FOR TITLE

ORIGINAL BY: _____ DATE: _____
 MODIFIED BY: *K.A. Kempf* DATE: *March 23, 2018*
 CHECKED BY: _____ DATE: _____
 FILE SPEC.: *details/kkempf/english/collar3@60.dgn*

