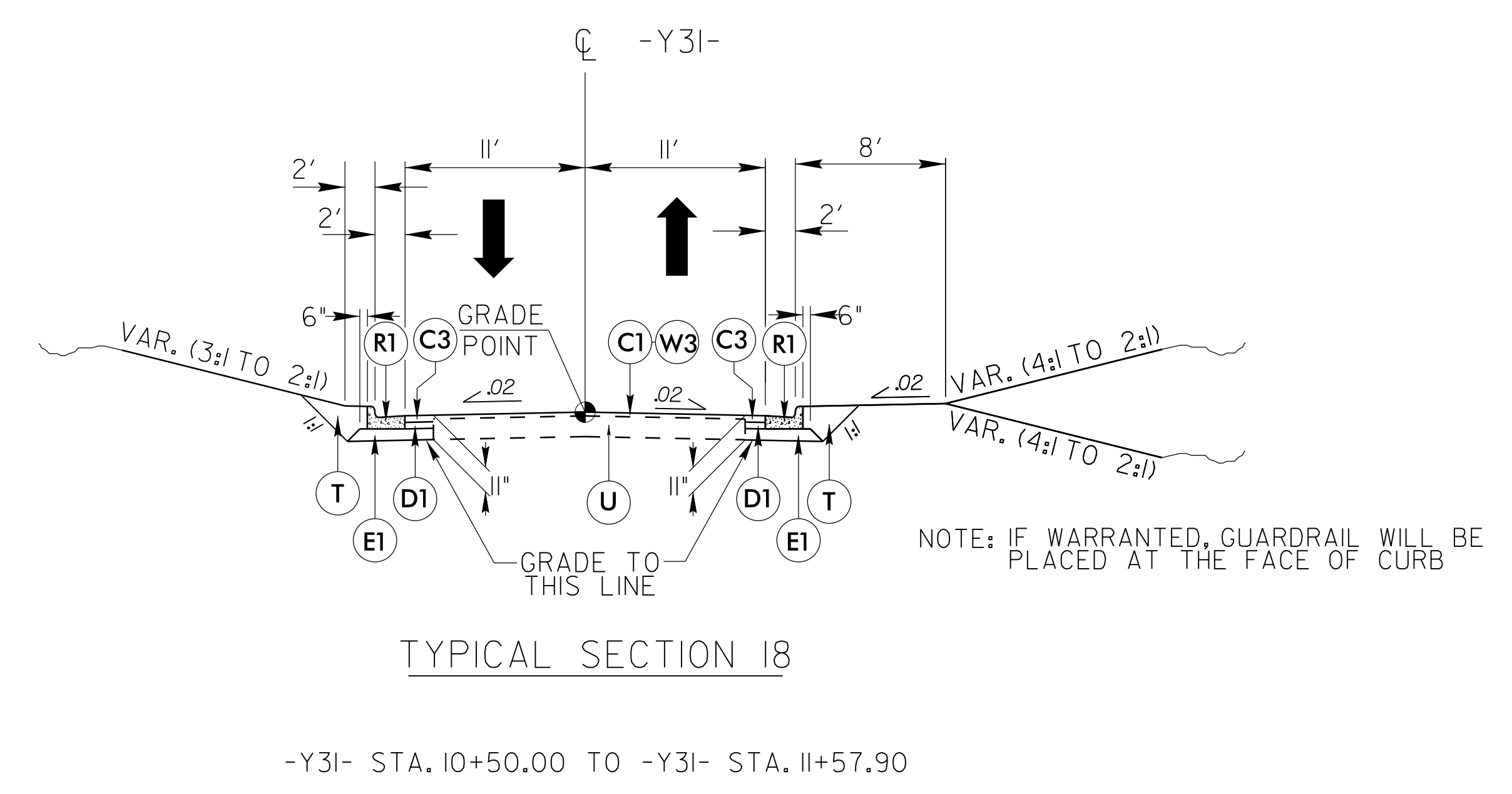
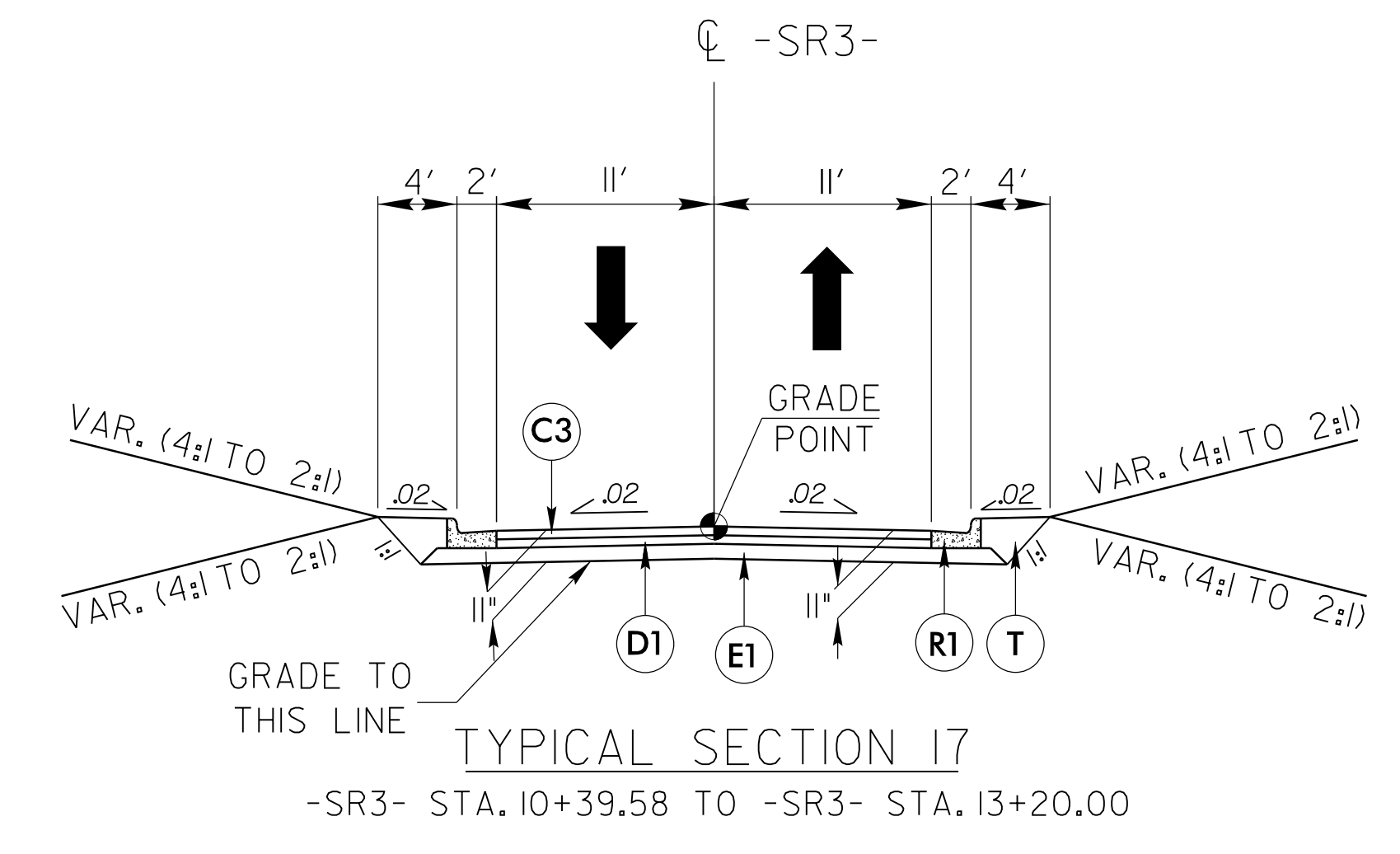
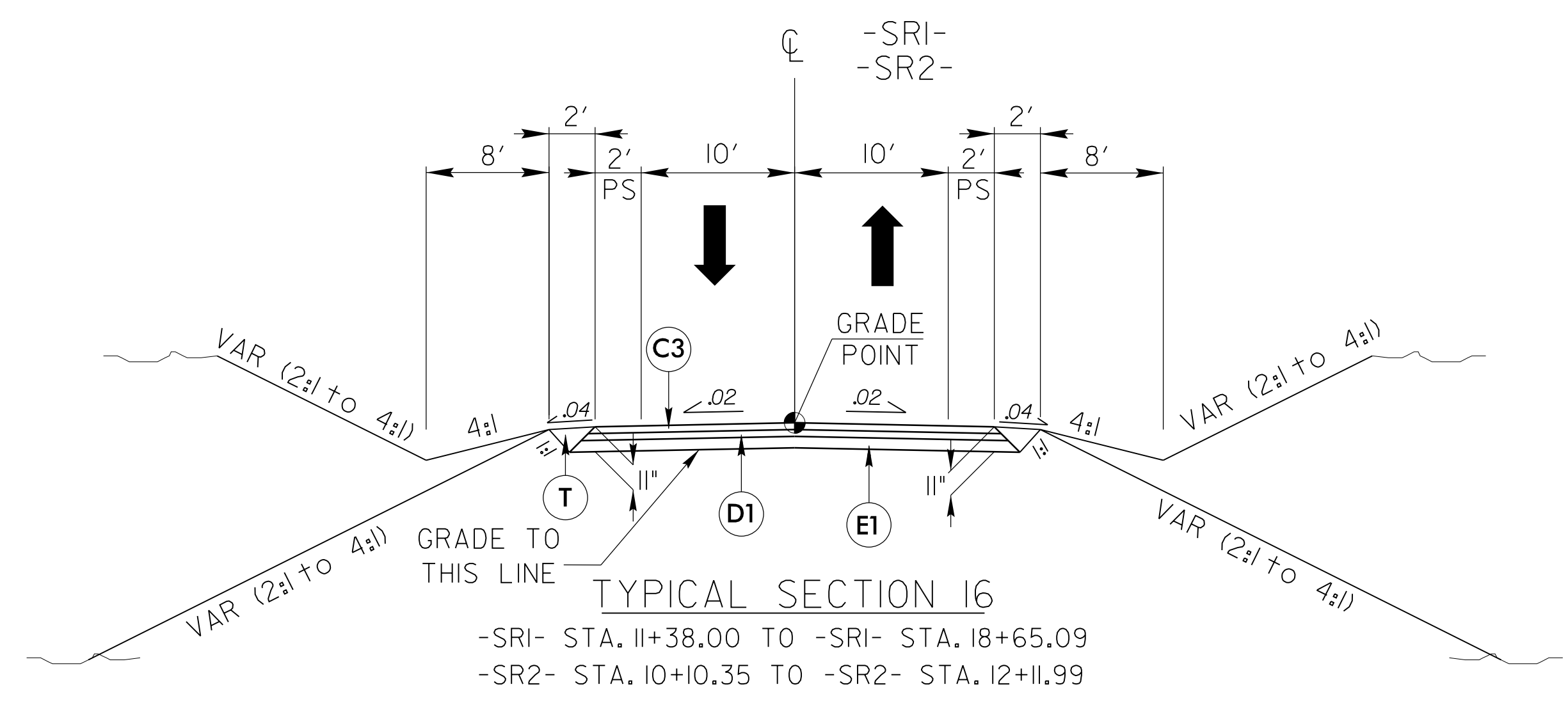


6/27/99

PROJECT REFERENCE NO. U-4405	SHEET NO. 2A-8
ROADWAY DESIGN ENGINEER CLAYTON J. MORGAN NORTH CAROLINA PROFESSIONAL SEAL 024929 EXPIRES 12/31/2018	PAVEMENT DESIGN ENGINEER CLARK W. HARRISON NORTH CAROLINA PROFESSIONAL SEAL 022896 EXPIRES 6/15/2018
<b>DOCUMENT NOT CONSIDERED FINAL UNLESS ALL SIGNATURES COMPLETED</b>	



NOTE: IF WARRANTED, GUARDRAIL WILL BE PLACED AT THE FACE OF CURB

PAVEMENT SCHEDULE	
C1	1.5" S9.5B
C3	3" S9.5B
D1	4" 119.0C
E1	4" B25.0C
R1	2'-6" CURB AND GUTTER
T	EARTH MATERIAL
W3	WEDGING

14-JUN-2018 2:47:30 P:\Roadway\HCO\U4405.rdw typ.dgn