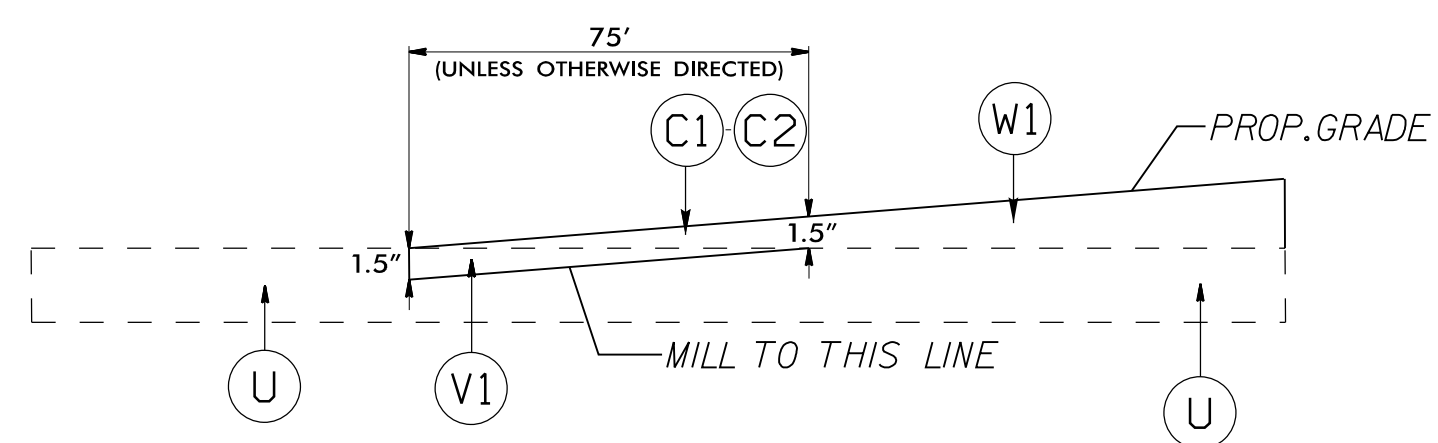


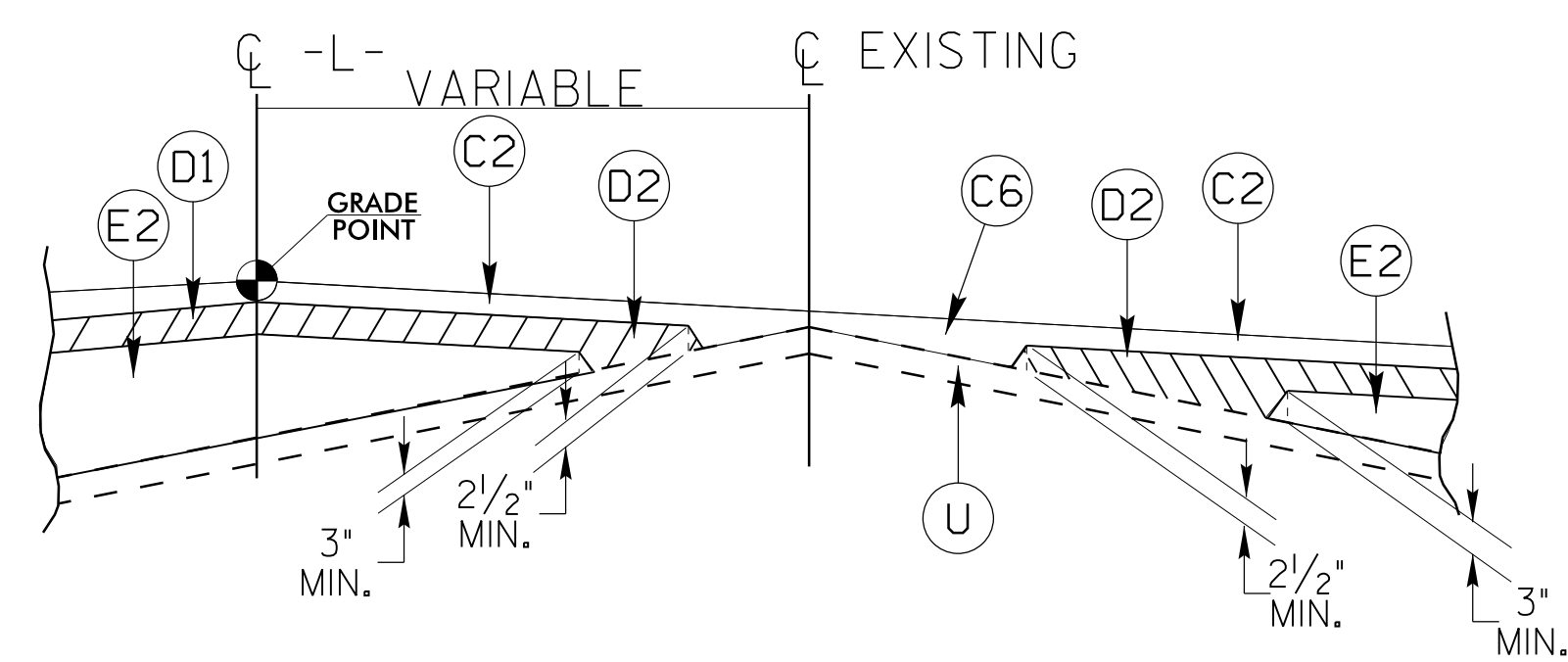
PROJECT REFERENCE NO. <i>U-4405</i>	SHEET NO. <i>2A-1</i>
ROADWAY DESIGN ENGINEER <i>Clark Williams</i> NORTH CAROLINA PROFESSIONAL SEAL 024929 EXPIRES 12/31/2018	PAVEMENT DESIGN ENGINEER <i>Clark Williams</i> NORTH CAROLINA PROFESSIONAL SEAL 022896 EXPIRES 12/31/2018
DOCUMENT NOT CONSIDERED FINAL UNLESS ALL SIGNATURES COMPLETED	

FINAL PAVEMENT SCHEDULE			
C1	PROP. APPROX. 1 1/2" ASPHALT CONCRETE SURFACE COURSE, TYPE S9.5B, AT AN AVERAGE RATE OF 165 LBS. PER SQ. YD.	N1	GEOTEXTILE FOR SOIL STABILIZATION
C2	PROP. APPROX. 1 1/2" ASPHALT CONCRETE SURFACE COURSE, TYPE S9.5C, AT AN AVERAGE RATE OF 168 LBS. PER SQ. YD.	R1	2'-6" CONCRETE CURB AND GUTTER
C3	PROP. APPROX. 3" ASPHALT CONCRETE SURFACE COURSE, TYPE S9.5B, AT AN AVERAGE RATE OF 165 LBS. PER SQ. YD. IN EACH OF TWO LAYERS.	R2	1'-6" CONCRETE CURB AND GUTTER
C4	PROP. APPROX. 3" ASPHALT CONCRETE SURFACE COURSE, TYPE S9.5C, AT AN AVERAGE RATE OF 168 LBS. PER SQ. YD. IN EACH OF TWO LAYERS.	R3	8" X 12" CONCRETE CURB
C5	PROP. VAR. DEPTH ASPHALT CONCRETE SURFACE COURSE, TYPE S9.5B, AT AN AVERAGE RATE OF 110 LBS. PER SQ. YD. PER 1" DEPTH TO BE PLACED IN LAYERS NOT LESS THAN 1" OR GREATER THAN 1 1/2" IN DEPTH.	R4	5" MONOLITHIC CONCRETE ISLAND (KEYED IN)
C6	PROP. VAR. DEPTH ASPHALT CONCRETE SURFACE COURSE, TYPE S9.5C, AT AN AVERAGE RATE OF 112 LBS. PER SQ. YD. PER 1" DEPTH TO BE PLACED IN LAYERS NOT LESS THAN 1 1/2" OR GREATER THAN 2" IN DEPTH.	S	4" CONCRETE SIDEWALK
D1	PROP. APPROX. 4" ASPHALT CONCRETE INTERMEDIATE COURSE, TYPE I19.0C, AT AN AVERAGE RATE OF 456 LBS. PER SQ. YD.	T	EARTH MATERIAL
D2	PROP. VAR. DEPTH ASPHALT CONCRETE INTERMEDIATE COURSE, TYPE I19.0C, AT AN AVERAGE RATE OF 114 LBS. PER SQ. YD. PER 1" DEPTH TO BE PLACED IN LAYERS NOT LESS THAN 2 1/2" OR GREATER THAN 4" IN DEPTH.	U	EXISTING PAVEMENT
E1	PROP. APPROX. 4" ASPHALT CONCRETE BASE COURSE, TYPE B25.0C, AT AN AVERAGE RATE OF 456 LBS. PER SQ. YD.	V1	INCIDENTAL MILLING
E2	PROP. VAR. DEPTH ASPHALT CONCRETE BASE COURSE, TYPE B25.0C, AT AN AVERAGE RATE OF 114 LBS. PER SQ. YD. PER 1" DEPTH TO BE PLACED IN LAYERS NOT LESS THAN 3" OR GREATER THAN 5 1/2" IN DEPTH.	V2	1.5" MILLING
L1	CLASS IV SUBGRADE STABILIZATION	W1	VARIABLE DEPTH ASPHALT PAVEMENT (SEE WEDGING DETAILS)
		W2	VARIABLE DEPTH ASPHALT PAVEMENT (SEE WEDGING DETAILS)
		W3	VARIABLE DEPTH ASPHALT PAVEMENT (SEE WEDGING DETAILS)

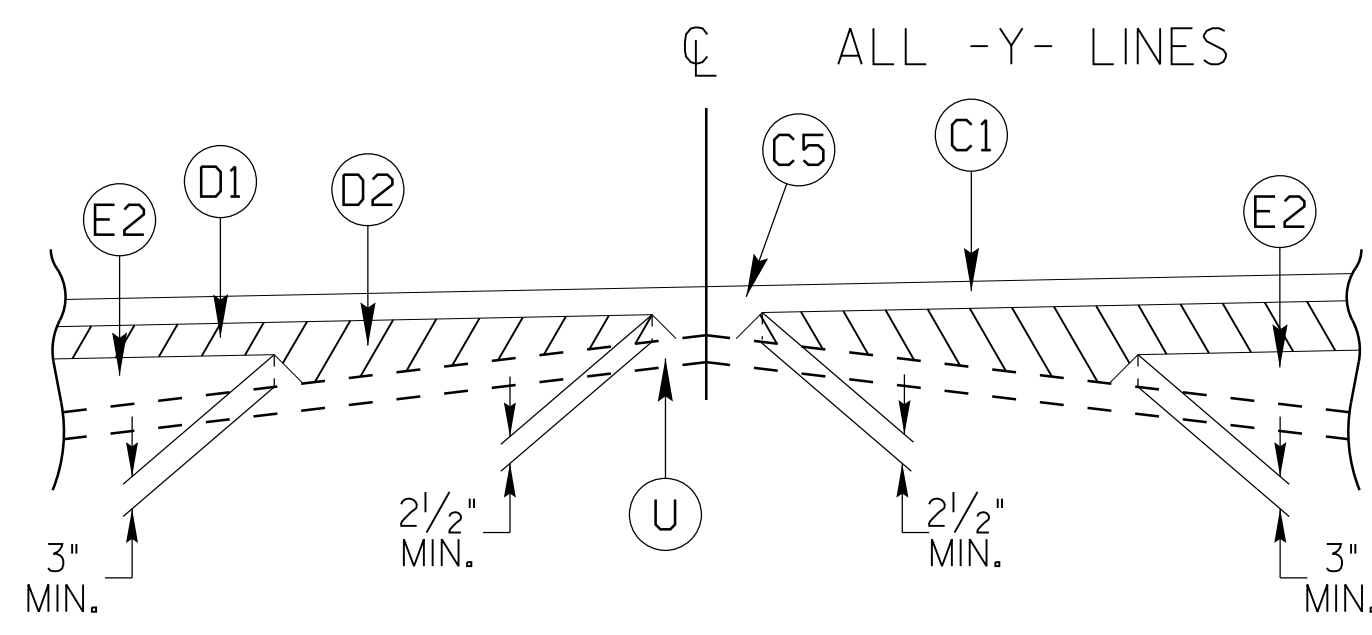
NOTE: PAVEMENT EDGE SLOPES ARE 1:1 UNLESS SHOWN OTHERWISE.



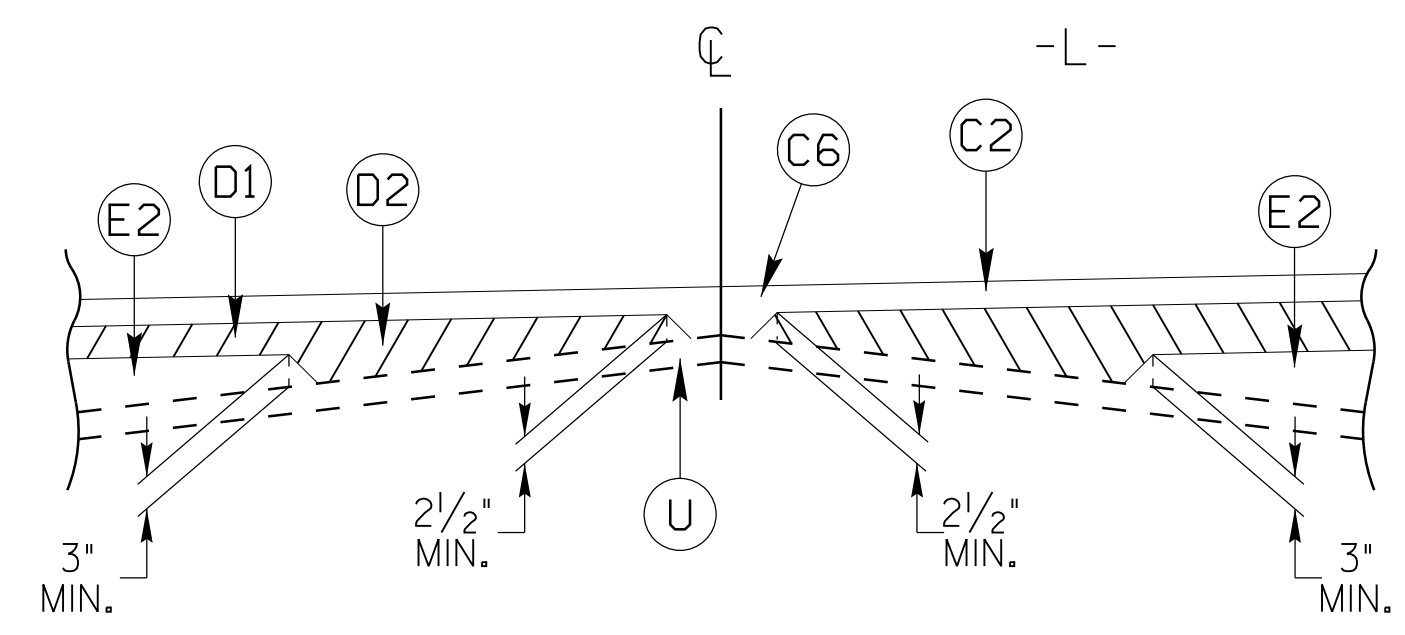
DETAIL FOR INCIDENTAL MILLING
-L- USE C2
ALL OTHER ALIGNMENTS USE C1



W1 DETAIL #1 SHOWING METHOD OF WEDGING



W3 DETAIL #2 SHOWING METHOD OF WEDGING



W2 DETAIL #2 SHOWING METHOD OF WEDGING