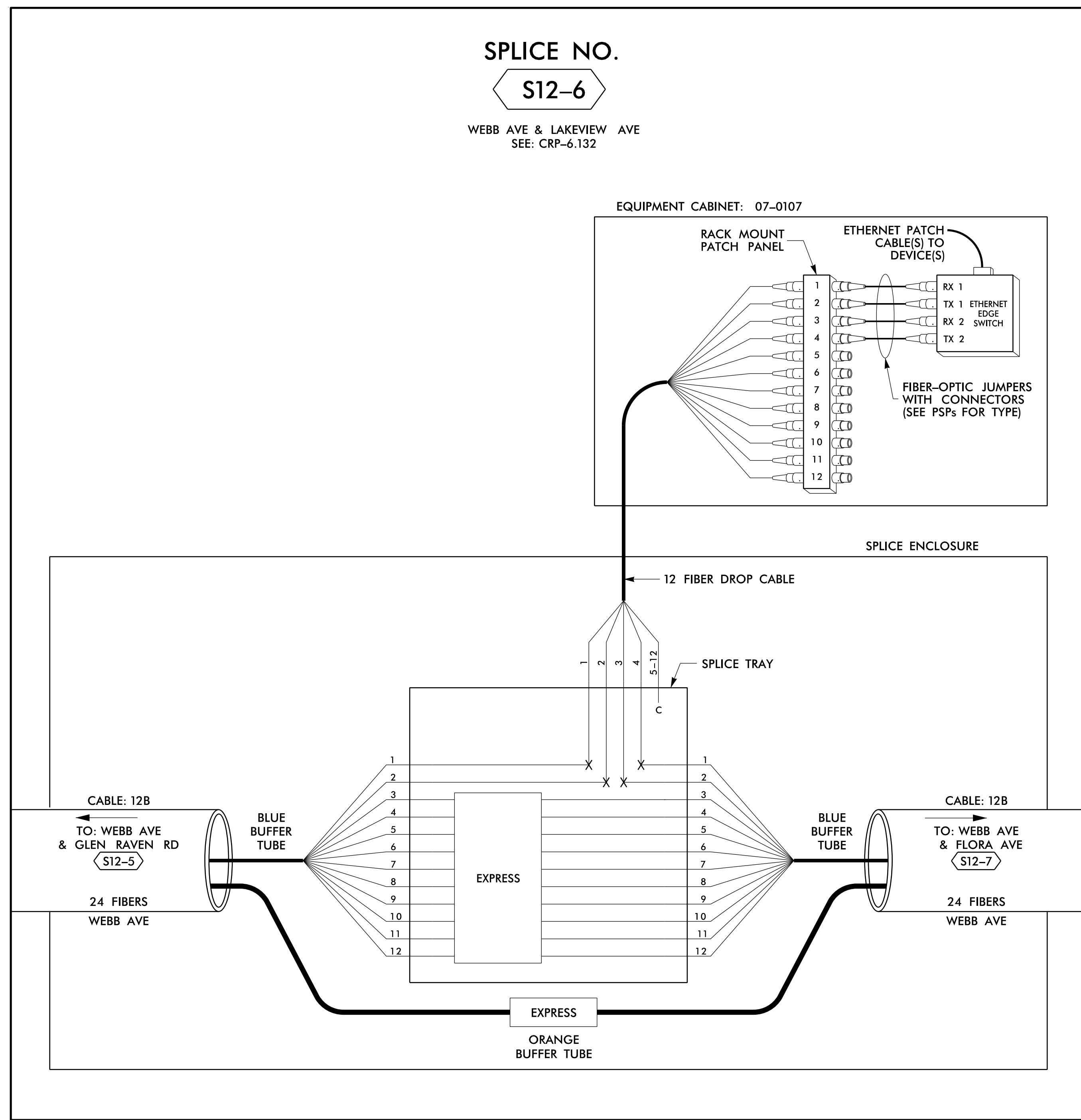


SPLICE NO.

S12-6

WEBB AVE & LAKEVIEW AVE
SEE: CRP-6.132



14-JUN-2018 12:29
 D:\Technical\Projects\U-6015 B-C Sig_Sys\Task 11_Comms\F5 4.076.dgn
 S:\DCS\653 AT_LUS355433

LEGEND

COLOR CODE TIA/EIA 598-B		X = FUSION SPlice INDIVIDUAL FIBER C = CAP AND SEAL
(1) BLUE	(7) RED	EXPRESS
(2) ORANGE	(8) BLACK	EXPRESS ENTIRE BUFFER TUBE / FIBERS THROUGH WITHOUT CUTTING
(3) GREEN	(9) YELLOW	BUFFER SPlice
(4) BROWN	(10) VIOLET	SPlice ALL FIBERS IN BUFFER TUBE COLOR TO COLOR
(5) SLATE	(11) ROSE	EXISTING
(6) WHITE	(12) AQUA	EXISTING BUFFER TUBE / FIBERS. DO NOT MODIFY EXISTING SPlices OR EXPRESSED FIBERS.

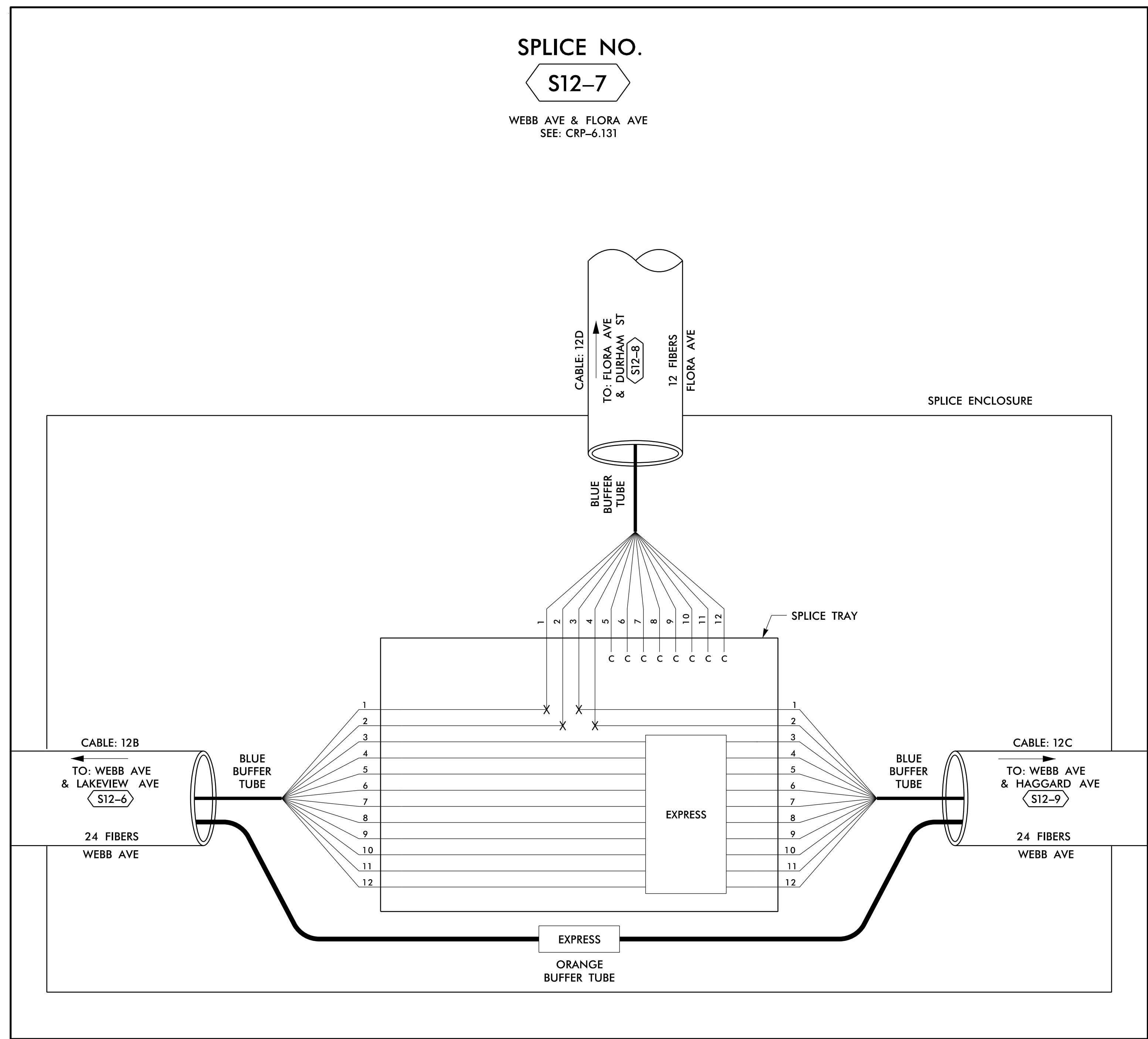
NOTES

- UNUSED FIBERS LEFT COILED AND STORED IN SPLICE TRAY
- UNUSED BUFFER TUBES LEFT COILED AND STORED IN SPLICE ENCLOSURE
- EDGE SWITCH CONFIGURATIONS ARE GENERIC. CONTRACTOR IS RESPONSIBLE FOR DETERMINING/ENSURING THE PROPER TERMINATIONS.

ATKINS 1616 EAST MILLBROOK ROAD, SUITE 160
 RALEIGH, NORTH CAROLINA 27609
 (919) 876-6888 NCBEEES #F-0326

DOCUMENT NOT CONSIDERED FINAL UNLESS ALL SIGNATURES COMPLETED

Prepared for the Offices of: 750 Greenfield Parkway, Garner, NC 27529	Burlington-Graham Signal System Fiber-Optic Splicing Details		SEAL NORTH CAROLINA PROFESSIONAL ENGINEER SEAL 040877 BRADFORD J. SLOCUM 15/2018 DATE
	Division 7 Alamance County PLAN DATE: June 2018 PREPARED BY: BJ SLOCUM	Burlington & Graham REVIEWED BY: HA BADGETT REVIEWED BY: DL JONES	
REVISIONS: _____ INIT. DATE _____			



14 JUN 2018 12:29
 D:\Technical\Information\Traffic\Cur*100056469 U=6015 B=C Sig Sys*Task 11_Corrs*FS 4.077.dgn
 S:\DCS\653 AT LUS355433

COLOR CODE		LEGEND	
(1) BLUE	(7) RED	X = FUSION SPlice INDIVIDUAL FIBER THROUGH WITHOUT CUTTING	EXPRESS ENTIRE BUFFER TUBE /FIBERS THROUGH WITHOUT CUTTING
(2) ORANGE	(8) BLACK	C = CAP AND SEAL	EXPRESS
(3) GREEN	(9) YELLOW		BUFFER SPlice
(4) BROWN	(10) VIOLET		EXISTING
(5) SLATE	(11) ROSE		
(6) WHITE	(12) AQUA		

- NOTES**
- UNUSED FIBERS LEFT COILED AND STORED IN SPlice TRAY
 - UNUSED BUFFER TUBES LEFT COILED AND STORED IN SPlice ENCLOSURE
 - EDGE SWITCH CONFIGURATIONS ARE GENERIC. CONTRACTOR IS RESPONSIBLE FOR DETERMINING/ENSURING THE PROPER TERMINATIONS.

ATKINS

1616 EAST MILLBROOK ROAD, SUITE 160
 RALEIGH, NORTH CAROLINA 27609
 (919) 876-6888 NCBEE# F-0326

**DOCUMENT NOT CONSIDERED FINAL
UNLESS ALL SIGNATURES COMPLETED**

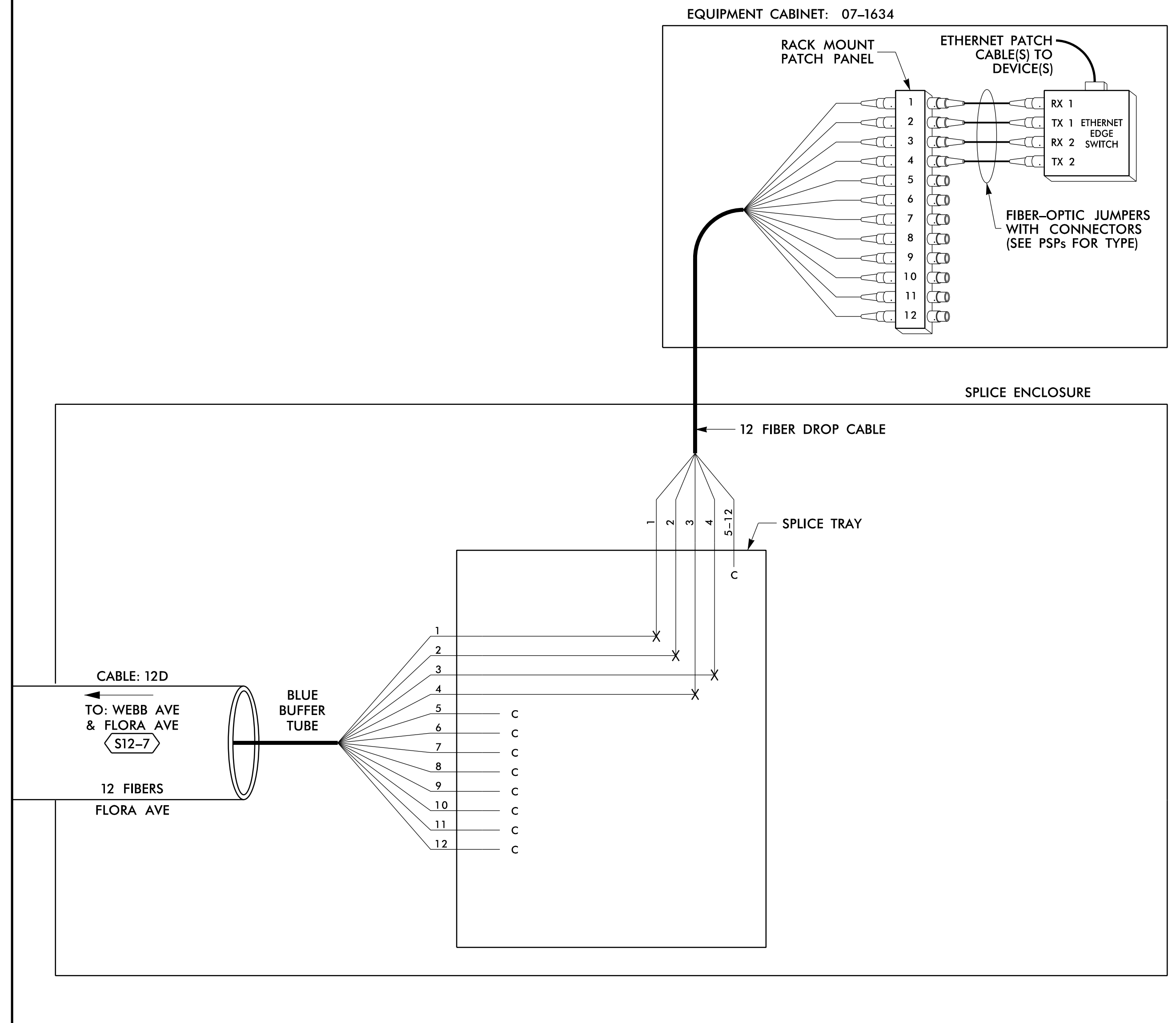
Prepared for the Offices of: DEPARTMENT OF TRANSPORTATION STATE OF NORTH CAROLINA		SEAL NORTH CAROLINA PROFESSIONAL SEAL 040877 ENGINEER BRADFORD J. SLOCUM 15/2018 DATE
Burlington-Graham Signal System Fiber-Optic Splicing Details		
Division 7 Alamance County Burlington & Graham		
PLAN DATE: June 2018	REVIEWED BY: HA BADGETT	
PREPARED BY: BJ SLOCUM	REVIEWED BY: DL JONES	
SCALE: N/A	REVISIONS	INIT. DATE

CAD00 File name: FS 4.077.dgn

SPLICE NO.

S12-8

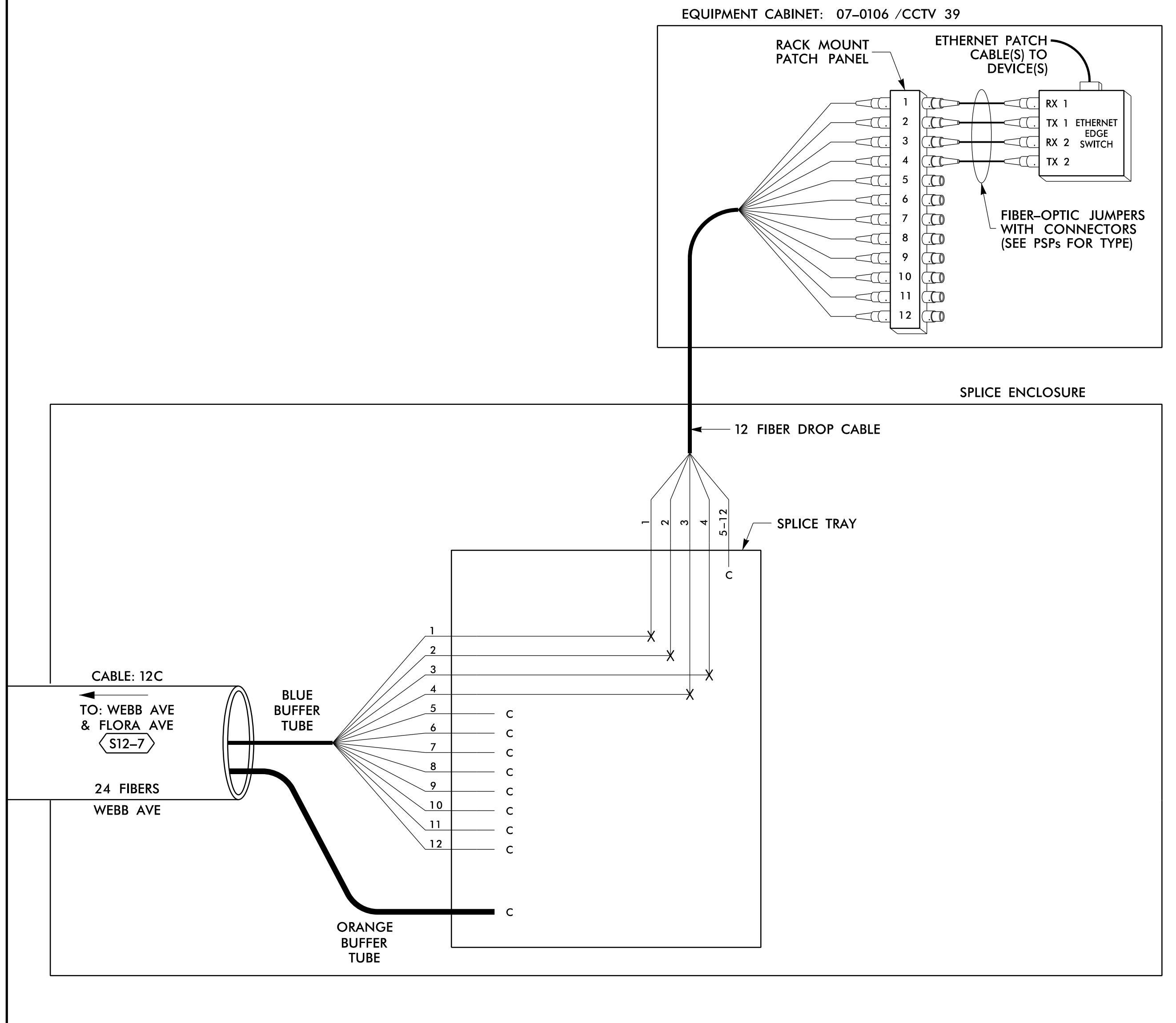
FLORA AVE & DURHAM ST
SEE: CRP-6.156



SPLICE NO.

S12-9

WEBB AVE & HAGGARD AVE
SEE: CRP-6.130



14 JUN 2018 12:29
 D:\projects\atkins\proj\11\11_00056469 U-6015 B-C Sig_Sys\Task 11_Comm\Fs 4.078.dgn
 S:\033633 AT_LUS355433

LEGEND

COLOR CODE TIA/EIA 598-B		X = FUSION SPlice INDIVIDUAL FIBER	
(1) BLUE	(7) RED	EXPRESS	EXPRESS ENTIRE BUFFER TUBE /FIBERS THROUGH WITHOUT CUTTING
(2) ORANGE	(8) BLACK	BUFFER SPlice	SPlice ALL FIBERS IN BUFFER TUBE COLOR TO COLOR
(3) GREEN	(9) YELLOW	EXISTING	EXISTING BUFFER TUBE /FIBERS DO NOT MODIFY EXISTING SPlices OR EXPRESSED FIBERS.
(4) BROWN	(10) VIOLET		
(5) SLATE	(11) ROSE		
(6) WHITE	(12) AQUA		
		C =	CAP AND SEAL

NOTES

1. UNUSED FIBERS LEFT COILED AND STORED IN SPLICE TRAY
2. UNUSED BUFFER TUBES LEFT COILED AND STORED IN SPLICE ENCLOSURE
3. EDGE SWITCH CONFIGURATIONS ARE GENERIC. CONTRACTOR IS RESPONSIBLE FOR DETERMINING/ENSURING THE PROPER TERMINATIONS.

ATKINS 1616 EAST MILLBROOK ROAD, SUITE 160
RALEIGH, NORTH CAROLINA 27609
(919) 876-6888 NCBEEs #F-0326

DOCUMENT NOT CONSIDERED FINAL UNLESS ALL SIGNATURES COMPLETED

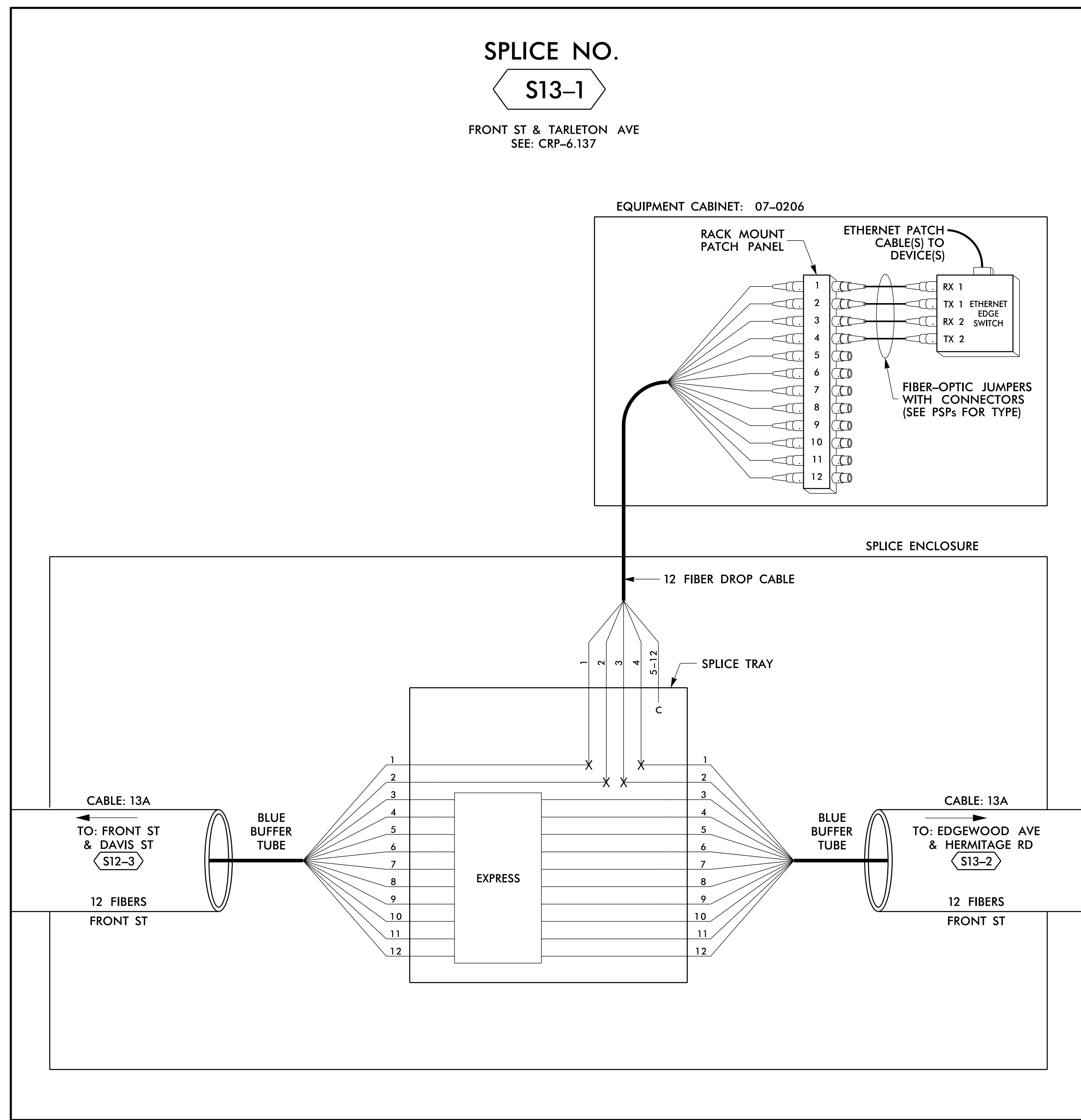
<p>Prepared for the Offices of: NORTH CAROLINA DEPARTMENT OF TRANSPORTATION Transportation Systems</p> <p>750 Greenfield Parkway, Garner, NC 27529</p>	Burlington-Graham Signal System Fiber-Optic Splicing Details			
	Division 7	Alamance County		Burlington & Graham
	PLAN DATE: June 2018	REVIEWED BY: HA BADGETT		
	PREPARED BY: BJ SLOCUM	REVIEWED BY: DL JONES		
SCALE: N/A	REVISIONS	INIT.	DATE	

DATE: 15/2018
 CAD00 File name: FS 4.078.dgn

SPLICE NO.

S13-1

FRONT ST & TARLETON AVE
SEE: CRP-6.137



LEGEND

COLOR CODE TIA/EIA 598-B		X = FUSION SPlice INDIVIDUAL FIBER	EXPRESS	EXPRESS ENTIRE BUFFER TUBE / FIBERS THROUGH WITHOUT CUTTING
(1) BLUE	(7) RED	C = CAP AND SEAL	BUFFER SPlice	SPlice ALL FIBERS IN BUFFER TUBE COLOR TO COLOR
(2) ORANGE	(8) BLACK		EXISTING	EXISTING BUFFER TUBE / FIBERS DO NOT MODIFY EXISTING SPlices OR EXPRESSED FIBERS.
(3) GREEN	(9) YELLOW			
(4) BROWN	(10) VIOLET			
(5) SLATE	(11) ROSE			
(6) WHITE	(12) AQUA			

NOTES

- UNUSED FIBERS LEFT COILED AND STORED IN SPLICE TRAY
- UNUSED BUFFER TUBES LEFT COILED AND STORED IN SPLICE ENCLOSURE
- EDGE SWITCH CONFIGURATIONS ARE GENERIC. CONTRACTOR IS RESPONSIBLE FOR DETERMINING/ENSURING THE PROPER TERMINATIONS.

ATKINS 1616 EAST MILLBROOK ROAD, SUITE 160
RALEIGH, NORTH CAROLINA 27609
(919) 876-6888 NCBEE# F-0326

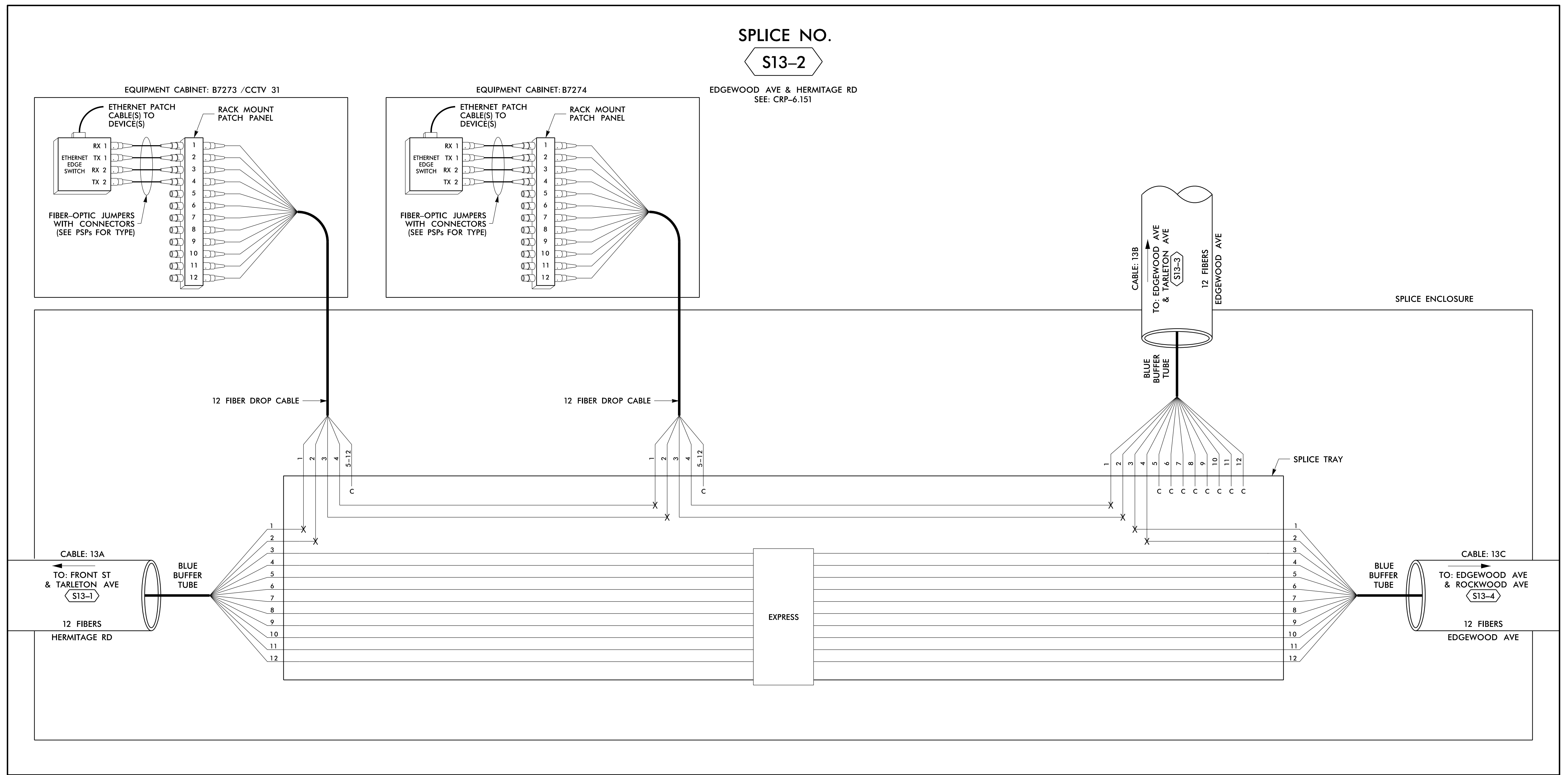
DOCUMENT NOT CONSIDERED FINAL UNLESS ALL SIGNATURES COMPLETED

<p>Prepared for the Offices of: DEPARTMENT OF TRANSPORTATION Division 7</p>	<p>Burlington-Graham Signal System Fiber-Optic Splicing Details</p>		
	<p>Division 7 Alamance County</p>	<p>Burlington & Graham</p>	
<p>750 Greenfield Parkway, Garner, NC 27529</p>	<p>PLAN DATE: June 2018</p>	<p>REVIEWED BY: HA BADGETT</p>	<p>DATE: 15/2018</p>
<p>SCALE: N/A</p>	<p>PREPARED BY: BJ SLOCUM</p>	<p>REVIEWED BY: DL JONES</p>	<p>DATE: 15/2018</p>
<p>REVISIONS</p>	<p>INIT.</p>	<p>DATE</p>	<p>DATE</p>
<p>SCALE: N/A</p>	<p>REVISIONS</p>	<p>INIT.</p>	<p>DATE</p>

14 JUN 2018 12:29
 D:\Technical\Projects\U-6015 B-C Sig. Sys\Task 11_Comms\F5 4.079.dgn
 S:\DCS\653 AT_LUS355433

SPLICE NO.
S13-2

EDGEWOOD AVE & HERMITAGE RD
 SEE: CRP-6.151



LEGEND

COLOR CODE TIA/EIA 598-B		X = FUSION SPLICE INDIVIDUAL FIBER	EXPRESS	EXPRESS ENTIRE BUFFER TUBE / FIBERS THROUGH WITHOUT CUTTING
(1) BLUE	(7) RED	C = CAP AND SEAL	BUFFER SPLICE	SPLICE ALL FIBERS IN BUFFER TUBE COLOR TO COLOR
(2) ORANGE	(8) BLACK		EXISTING	EXISTING BUFFER TUBE / FIBERS DO NOT MODIFY EXISTING SPLICES OR EXPRESSED FIBERS.
(3) GREEN	(9) YELLOW			
(4) BROWN	(10) VIOLET			
(5) SLATE	(11) ROSE			
(6) WHITE	(12) AQUA			

NOTES

- UNUSED FIBERS LEFT COILED AND STORED IN SPLICE TRAY
- UNUSED BUFFER TUBES LEFT COILED AND STORED IN SPLICE ENCLOSURE
- EDGE SWITCH CONFIGURATIONS ARE GENERIC. CONTRACTOR IS RESPONSIBLE FOR DETERMINING/ENSURING THE PROPER TERMINATIONS.

14 JUN 2018 12:29
 D:\Technical\Projects\U-6015 B-C Sig Sys\Task 11_Comms#FS 4_080.dgn
 S:\DCS\653 AT_LUS355433

ATKINS 1616 EAST MILLBROOK ROAD, SUITE 160
 RALEIGH, NORTH CAROLINA 27609
 (919) 876-6888 NCBES #F-0326

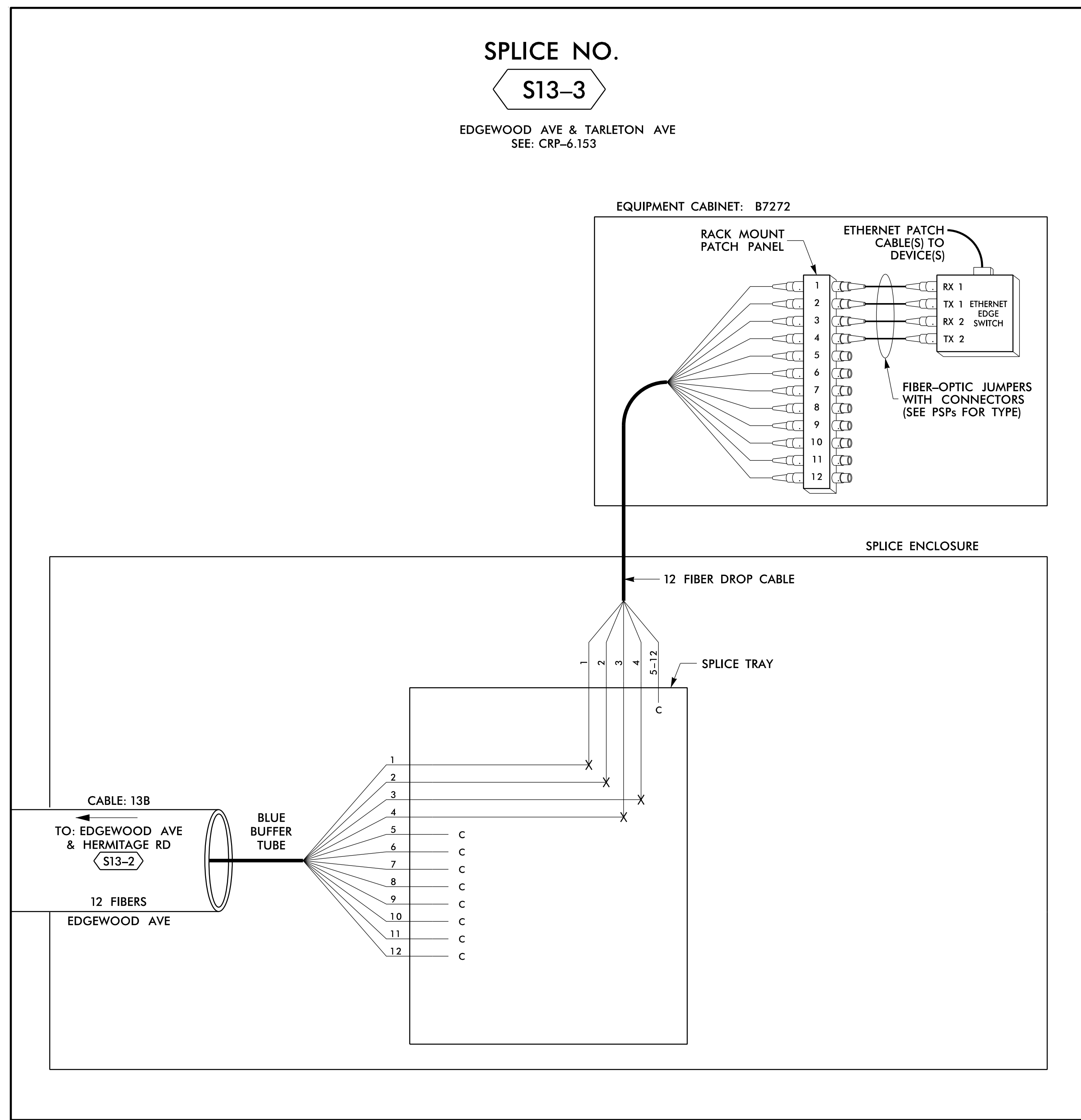
**DOCUMENT NOT CONSIDERED FINAL
 UNLESS ALL SIGNATURES COMPLETED**

	Prepared for the Offices of: NORTH CAROLINA DEPARTMENT OF TRANSPORTATION Transportation Systems		SEAL NORTH CAROLINA PROFESSIONAL SEAL 040877 ENGINEER Bradford J. Slocum 15/2018 DATE
	Burlington-Graham Signal System Fiber-Optic Splicing Details		
Division 7 Alamance County Burlington & Graham		PLAN DATE: June 2018 REVIEWED BY: HA BADGETT	
PREPARED BY: BJ SLOCUM REVIEWED BY: DL JONES		REVISIONS INIT. DATE	
SCALE: N/A		CAD File name: FS_4.080.dgn	

SPLICE NO.

S13-3

EDGEWOOD AVE & TARLETON AVE
SEE: CRP-6.153



14 JUN 2018 12:29
 D:\Technical\Projects\U-6015 B-C Sig. Sys\Task 11_Coms\F5 4.081.dgn
 S:\DCS\653 AT_LUS355433

LEGEND

COLOR CODE TIA/EIA 598-B		X = FUSION SPlice INDIVIDUAL FIBER	
(1) BLUE	(7) RED	EXPRESS	EXPRESS ENTIRE BUFFER TUBE / FIBERS THROUGH WITHOUT CUTTING
(2) ORANGE	(8) BLACK	BUFFER SPlice	SPlice ALL FIBERS IN BUFFER TUBE COLOR TO COLOR
(3) GREEN	(9) YELLOW	EXISTING	EXISTING BUFFER TUBE / FIBERS DO NOT MODIFY EXISTING SPlices OR EXPRESSED FIBERS.
(4) BROWN	(10) VIOLET		
(5) SLATE	(11) ROSE		
(6) WHITE	(12) AQUA		
		C = CAP AND SEAL	

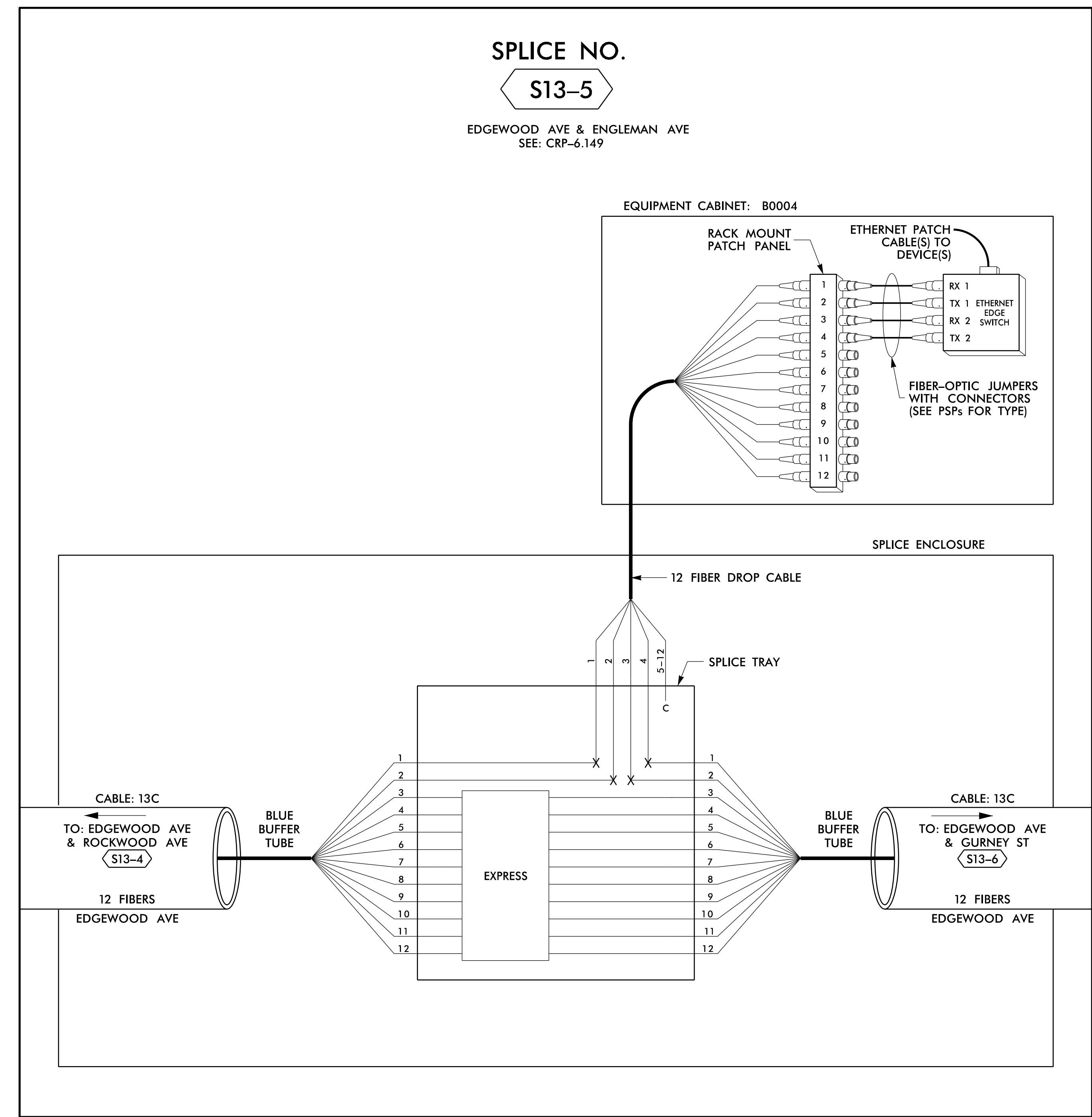
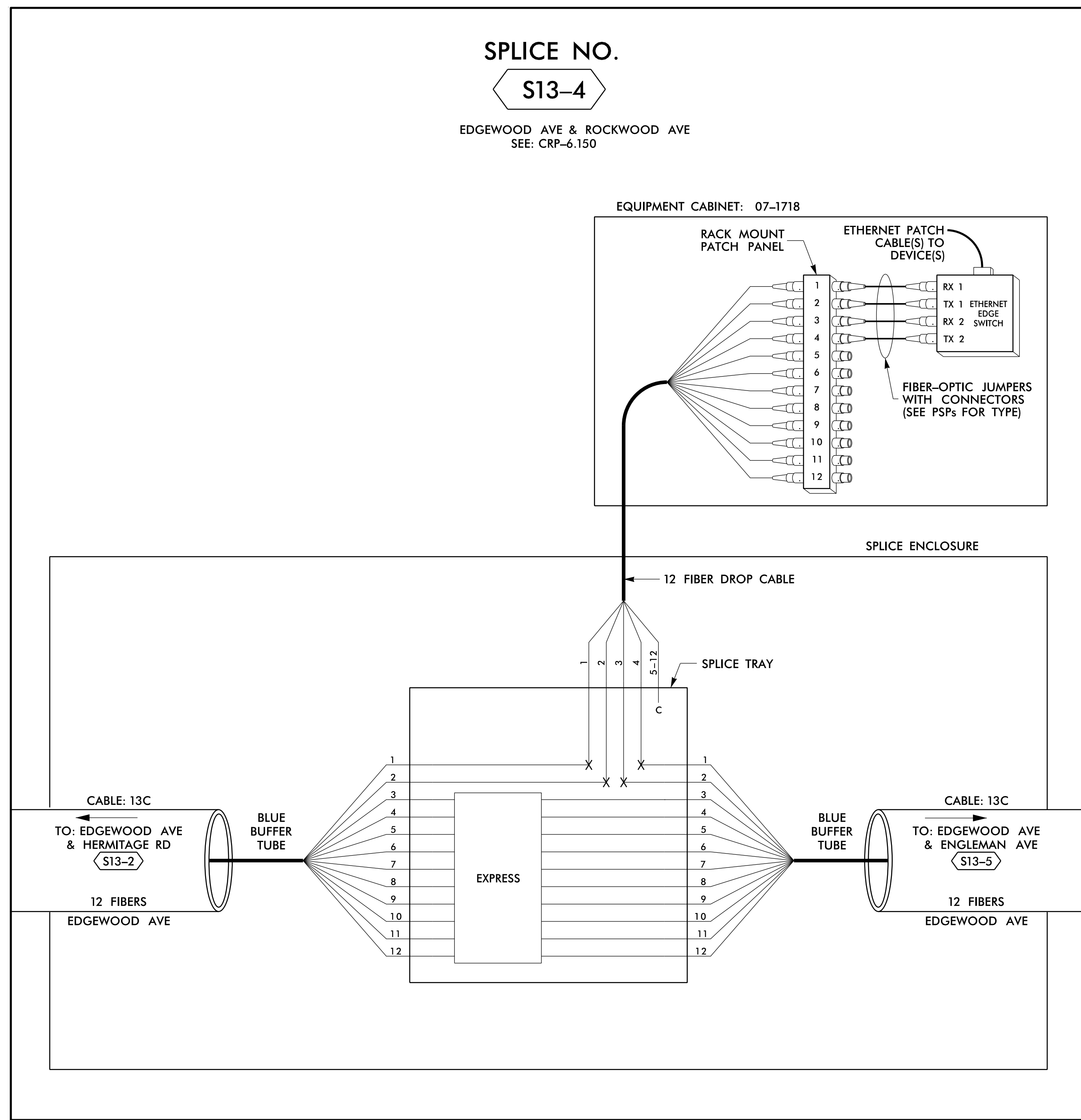
NOTES

1. UNUSED FIBERS LEFT COILED AND STORED IN SPLICE TRAY
2. UNUSED BUFFER TUBES LEFT COILED AND STORED IN SPLICE ENCLOSURE
3. EDGE SWITCH CONFIGURATIONS ARE GENERIC. CONTRACTOR IS RESPONSIBLE FOR DETERMINING/ENSURING THE PROPER TERMINATIONS.

ATKINS 1616 EAST MILLBROOK ROAD, SUITE 160
RALEIGH, NORTH CAROLINA 27609
(919) 876-6888 NCBES #F-0326

DOCUMENT NOT CONSIDERED FINAL UNLESS ALL SIGNATURES COMPLETED

	Prepared for the Offices of: NORTH CAROLINA DEPARTMENT OF TRANSPORTATION		
	Burlington-Graham Signal System Fiber-Optic Splicing Details		
Division 7 Alamance County Burlington & Graham		PLAN DATE: June 2018 REVIEWED BY: HA BADGETT	
PREPARED BY: BJ SLOCUM		REVIEWED BY: DL JONES	
SCALE: N/A		REVISIONS: _____ INIT. DATE _____	
750 Greenfield Parkway, Garner, NC 27529		DATE: 15/2018 CAD File Name: FS 4.081.dgn	



14 JUN 2018 12:29
 D:\projects\atkins\proj\11\11_00056469_U-6015_B-C_Sig_Sys\Task_11_Corrs\F_S_4_082.dgn
 S:\033633 AT_LUS355433

LEGEND

COLOR CODE TIA/EIA 598-B		X = FUSION SPlice INDIVIDUAL FIBER C = CAP AND SEAL
(1) BLUE	(7) RED	EXPRESS
(2) ORANGE	(8) BLACK	BUFFER SPlice
(3) GREEN	(9) YELLOW	EXISTING
(4) BROWN	(10) VIOLET	EXPRESS ENTIRE BUFFER TUBE / FIBERS THROUGH WITHOUT CUTTING
(5) SLATE	(11) ROSE	BUFFER SPlice
(6) WHITE	(12) AQUA	EXISTING
		SPlice ALL FIBERS IN BUFFER TUBE COLOR TO COLOR
		EXISTING BUFFER TUBE / FIBERS DO NOT MODIFY EXISTING SPlices OR EXPRESSED FIBERS.

NOTES

- UNUSED FIBERS LEFT COILED AND STORED IN SPlice TRAY
- UNUSED BUFFER TUBES LEFT COILED AND STORED IN SPlice ENCLOSURE
- EDGE SWITCH CONFIGURATIONS ARE GENERIC. CONTRACTOR IS RESPONSIBLE FOR DETERMINING/ENSURING THE PROPER TERMINATIONS.

ATKINS 1616 EAST MILLBROOK ROAD, SUITE 160
 RALEIGH, NORTH CAROLINA 27609
 (919) 876-6888 NCBEEs #F-0326

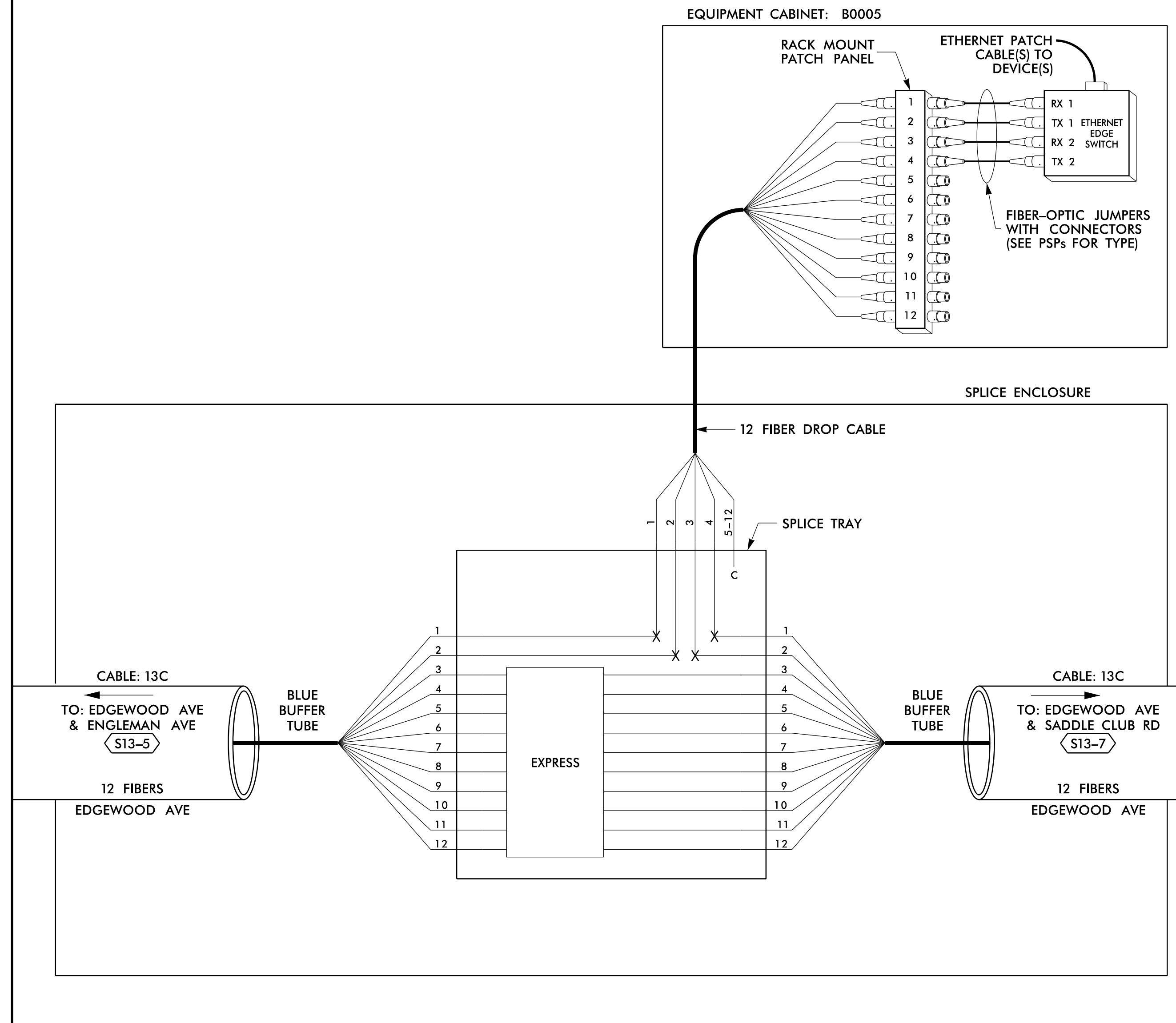
DOCUMENT NOT CONSIDERED FINAL UNLESS ALL SIGNATURES COMPLETED

Prepared for the Offices of: 750 Greenfield Parkway, Garner, NC 27529	Burlington-Graham Signal System Fiber-Optic Splicing Details		SEAL NORTH CAROLINA PROFESSIONAL ENGINEER SEAL 040877 BRADFORD J. SLOCUM 15/2018 DATE
	Division 7 Alamance County PLAN DATE: June 2018 PREPARED BY: BJ SLOCUM	Burlington & Graham REVIEWED BY: HA BADGETT REVIEWED BY: DL JONES	
SCALE N/A	REVISIONS INIT. DATE		DATE

CADD File name: FS_4.082.dgn

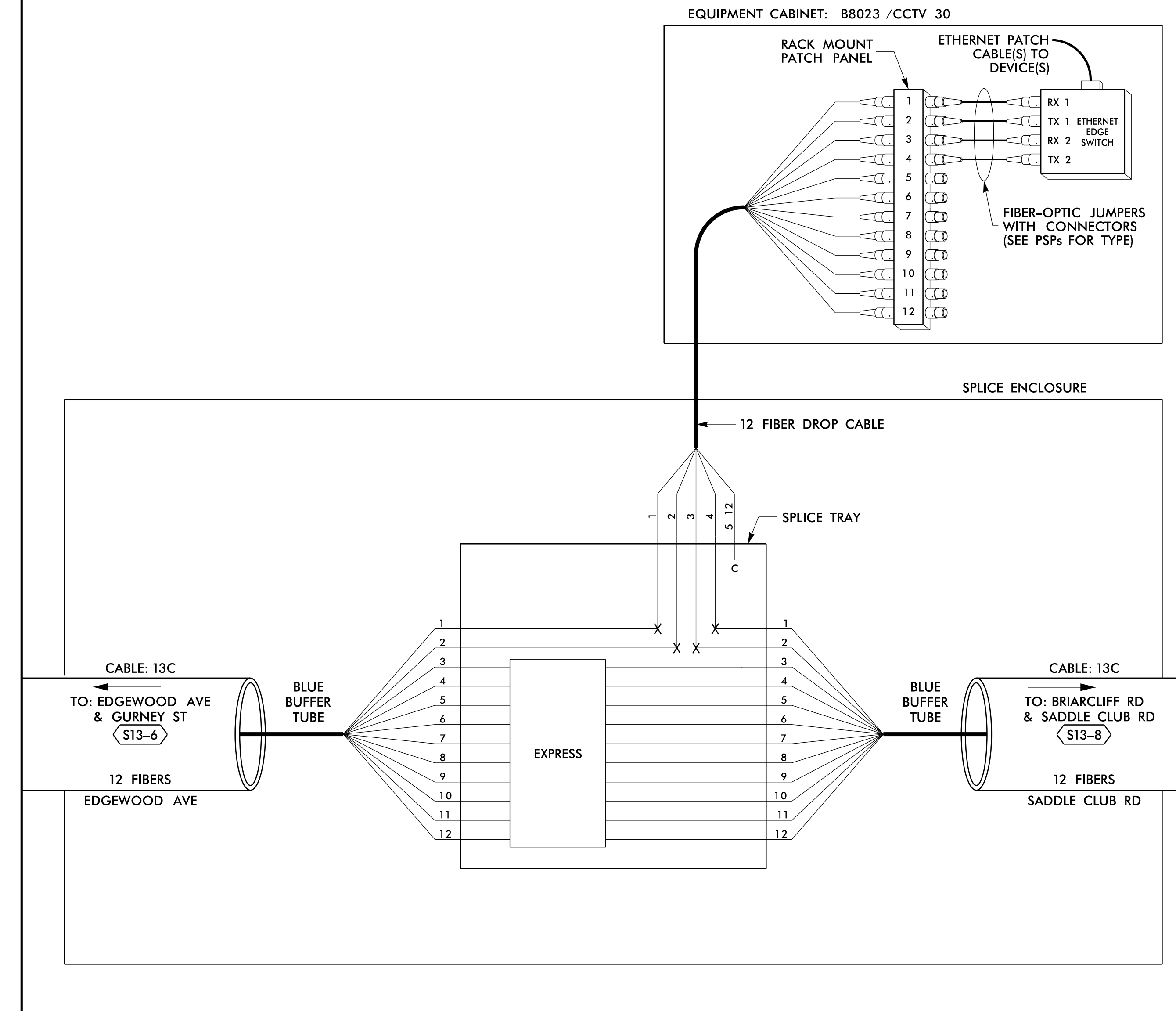
SPLICE NO. S13-6

EDGEWOOD AVE & GURNEY ST
SEE: CRP-6.148



SPLICE NO. S13-7

EDGEWOOD AVE & SADDLE CLUB RD
SEE: CRP-6.147



14-JUN-2018 12:30
D:\projects\100056463 U-6015 B-C Sig Sys\Task 11_Corrs\F_S 4.083.dgn
S:\DCS3633 AT_LUS355433

LEGEND

COLOR CODE TIA/EIA 598-B	X = FUSION SPlice INDIVIDUAL FIBER	EXPRESS	EXPRESS ENTIRE BUFFER TUBE /FIBERS THROUGH WITHOUT CUTTING
(1) BLUE	(7) RED	BUFFER SPlice	SPlice ALL FIBERS IN BUFFER TUBE COLOR TO COLOR
(2) ORANGE	(8) BLACK	EXISTING	EXISTING BUFFER TUBE /FIBERS DO NOT MODIFY EXISTING SPlices OR EXPRESSED FIBERS.
(3) GREEN	(9) YELLOW		
(4) BROWN	(10) VIOLET		
(5) SLATE	(11) ROSE		
(6) WHITE	(12) AQUA		

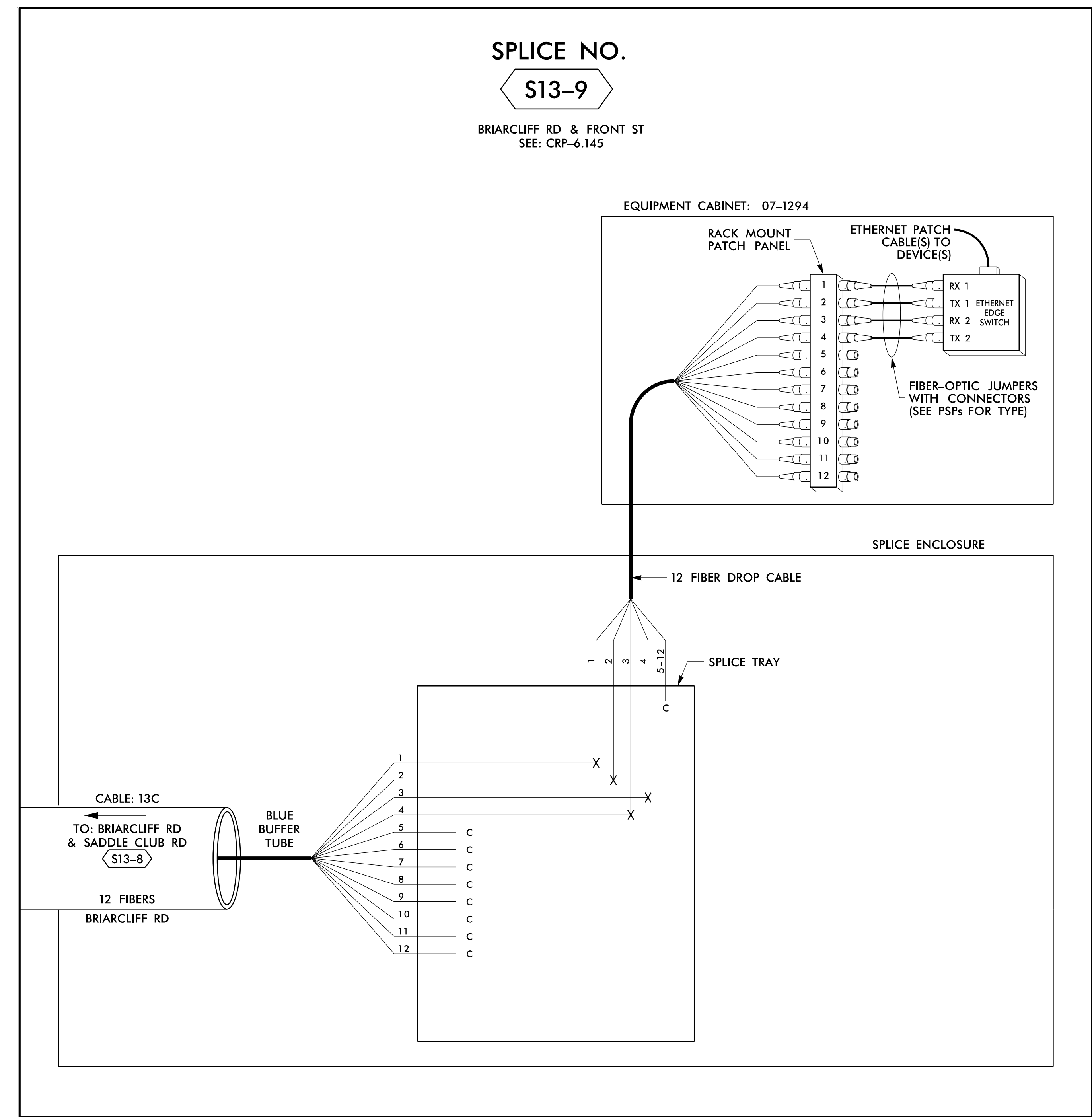
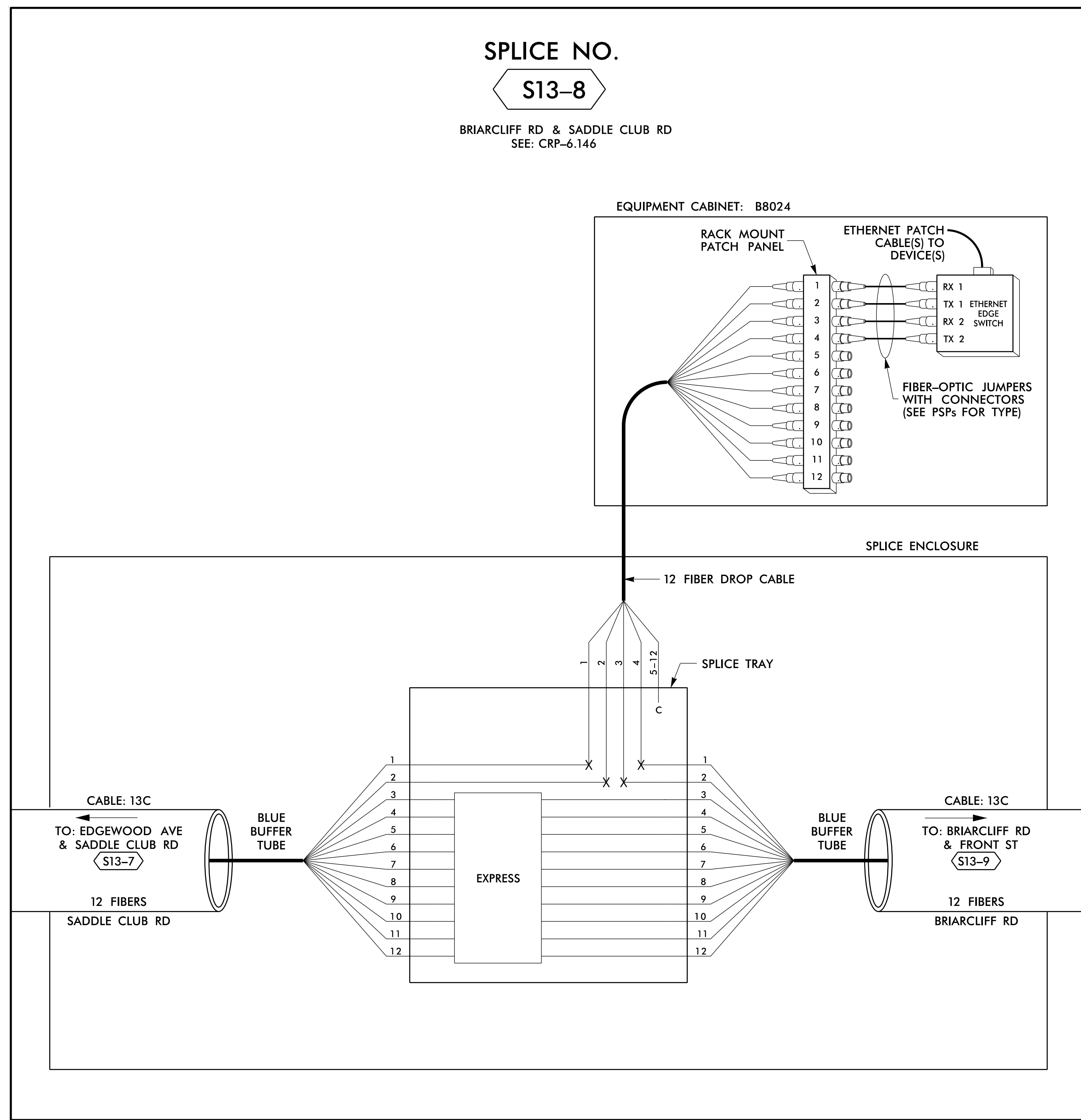
NOTES

- UNUSED FIBERS LEFT COILED AND STORED IN SPLICE TRAY
- UNUSED BUFFER TUBES LEFT COILED AND STORED IN SPLICE ENCLOSURE
- EDGE SWITCH CONFIGURATIONS ARE GENERIC. CONTRACTOR IS RESPONSIBLE FOR DETERMINING/ENSURING THE PROPER TERMINATIONS.

ATKINS 1616 EAST MILLBROOK ROAD, SUITE 160
RALEIGH, NORTH CAROLINA 27609
(919) 876-6888 NCBEES #F-0326

DOCUMENT NOT CONSIDERED FINAL
UNLESS ALL SIGNATURES COMPLETED

 Prepared for the Offices of: NORTH CAROLINA DEPARTMENT OF TRANSPORTATION 750 Greenfield Parkway, Garner, NC 27529	Burlington-Graham Signal System Fiber-Optic Splicing Details		SEAL NORTH CAROLINA PROFESSIONAL ENGINEER SEAL 040877 BRADFORD J. SLOCUM 15/2018 DATE
	Division 7 Alamance County PLAN DATE: June 2018 PREPARED BY: BJ SLOCUM	Burlington & Graham REVIEWED BY: HA BADGETT REVIEWED BY: DL JONES	
	SCALE: N/A	REVISIONS INIT. DATE	



14 JUN 2018 12:30
 D:\projects\proj\11\110056469 U-6015 B-C Sig Sys\Task 11_Corrs\F_S 4_084.dgn
 S:\DCS\653 AT_LUS355433

LEGEND

COLOR CODE		TIA/EIA 598-B	
(1) BLUE	(7) RED	EXPRESS	EXPRESS ENTIRE BUFFER TUBE / FIBERS THROUGH WITHOUT CUTTING
(2) ORANGE	(8) BLACK	BUFFER SPlice	SPLICE ALL FIBERS IN BUFFER TUBE COLOR TO COLOR
(3) GREEN	(9) YELLOW	EXISTING	EXISTING BUFFER TUBE / FIBERS DO NOT MODIFY EXISTING SPLICES OR EXPRESSED FIBERS.
(4) BROWN	(10) VIOLET		
(5) SLATE	(11) ROSE		
(6) WHITE	(12) AQUA		

X = FUSION SPlice INDIVIDUAL FIBER
C = CAP AND SEAL

- #### NOTES
- UNUSED FIBERS LEFT COILED AND STORED IN SPLICE TRAY
 - UNUSED BUFFER TUBES LEFT COILED AND STORED IN SPLICE ENCLOSURE
 - EDGE SWITCH CONFIGURATIONS ARE GENERIC. CONTRACTOR IS RESPONSIBLE FOR DETERMINING/ENSURING THE PROPER TERMINATIONS.

750 Greenfield Parkway, Garner, NC 27529

1616 EAST MILLBROOK ROAD, SUITE 160
RALEIGH, NORTH CAROLINA 27609
(919) 876-6888 NCBES #F-0326

DOCUMENT NOT CONSIDERED FINAL UNLESS ALL SIGNATURES COMPLETED

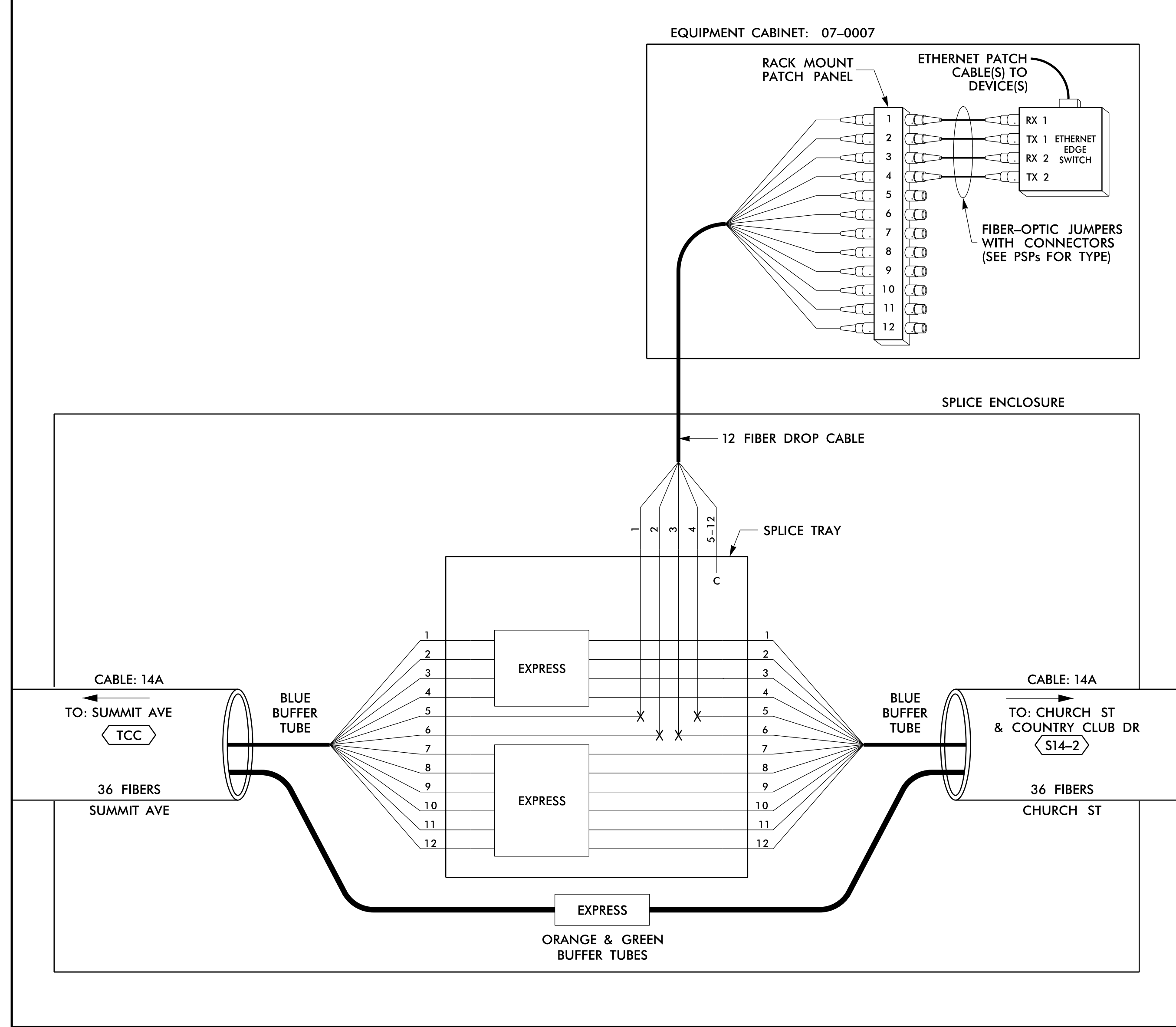
Prepared for the Offices of: NORTH CAROLINA DEPARTMENT OF TRANSPORTATION		SEAL NORTH CAROLINA PROFESSIONAL ENGINEER SEAL 040877 BRADFORD J. SLOCUM ENGINEER 15/2018 DATE
Burlington-Graham Signal System Fiber-Optic Splicing Details		
Division 7 Alamance County Burlington & Graham		
PLAN DATE: June 2018	REVIEWED BY: HA BADGETT	
PREPARED BY: BJ SLOCUM	REVIEWED BY: DL JONES	
REVISIONS		INIT. DATE
SCALE N/A		

CADD File name: FS 4.084.dgn

SPLICE NO.

S14-1

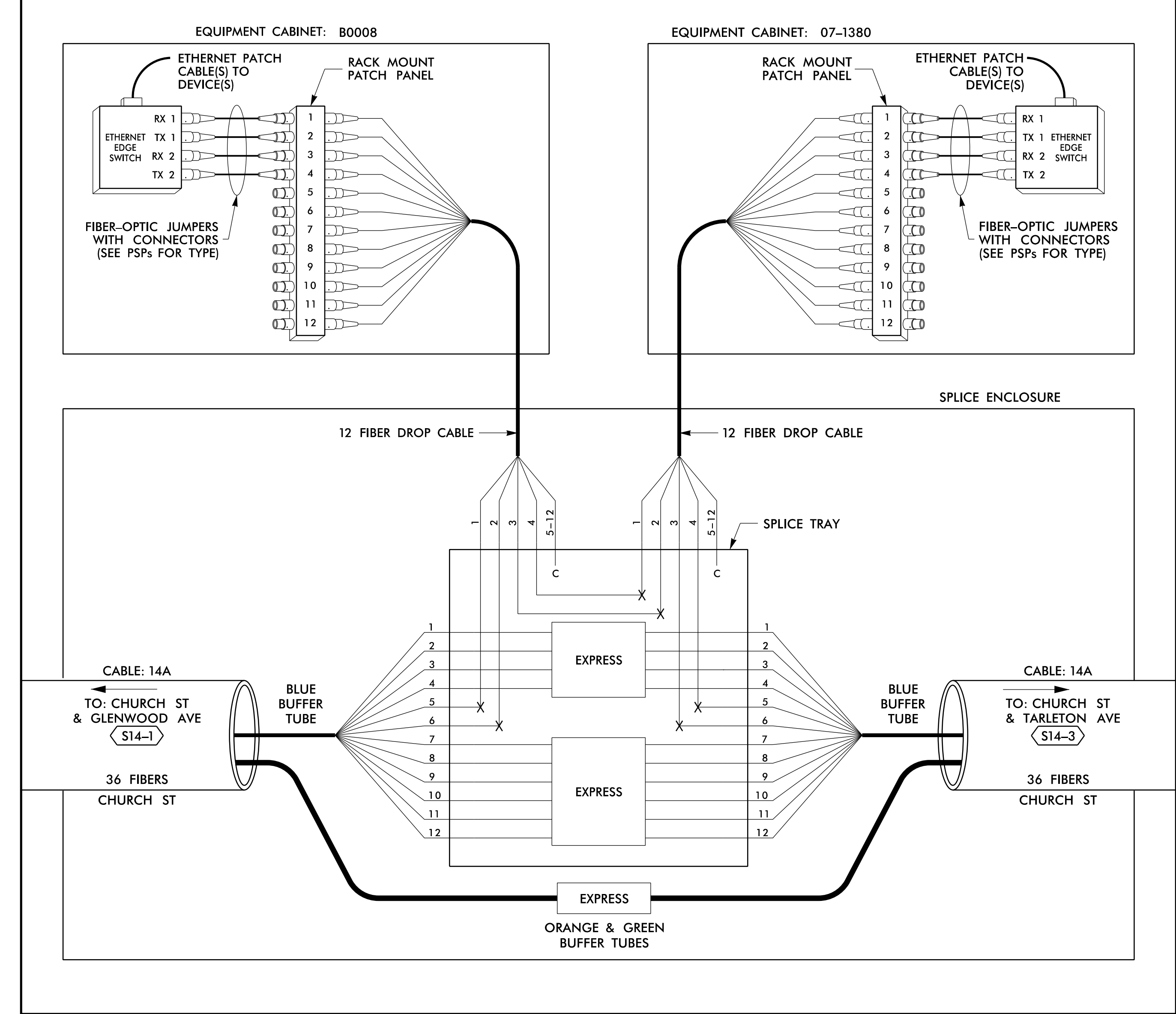
CHURCH ST & GLENWOOD AVE
SEE: CRP-6.022



SPLICE NO.

S14-2

CHURCH ST & COUNTRY CLUB DR
SEE: CRP-6.021



14 JUN 2018 12:30
 D:\Technical\proj\100056469 U-6015 B-C Sig Sys\Task 11_Comm\Fs 4_085.dgn
 S:\DCS\653 AT_LUS355433

LEGEND

COLOR CODE TIA/EIA 598-B		X = FUSION SPLICE INDIVIDUAL FIBER	
(1) BLUE	(7) RED	EXPRESS	EXPRESS ENTIRE BUFFER TUBE / FIBERS THROUGH WITHOUT CUTTING
(2) ORANGE	(8) BLACK	BUFFER SPLICE	SPLICE ALL FIBERS IN BUFFER TUBE COLOR TO COLOR
(3) GREEN	(9) YELLOW	EXISTING	EXISTING BUFFER TUBE / FIBERS DO NOT MODIFY EXISTING SPLICES OR EXPRESSED FIBERS.
(4) BROWN	(10) VIOLET		
(5) SLATE	(11) ROSE		
(6) WHITE	(12) AQUA		
		C = CAP AND SEAL	

NOTES

- UNUSED FIBERS LEFT COILED AND STORED IN SPLICE TRAY
- UNUSED BUFFER TUBES LEFT COILED AND STORED IN SPLICE ENCLOSURE
- EDGE SWITCH CONFIGURATIONS ARE GENERIC. CONTRACTOR IS RESPONSIBLE FOR DETERMINING/ENSURING THE PROPER TERMINATIONS.

ATKINS 1616 EAST MILLBROOK ROAD, SUITE 160
RALEIGH, NORTH CAROLINA 27609
(919) 876-6888 NCBEEES #F-0326

DOCUMENT NOT CONSIDERED FINAL UNLESS ALL SIGNATURES COMPLETED

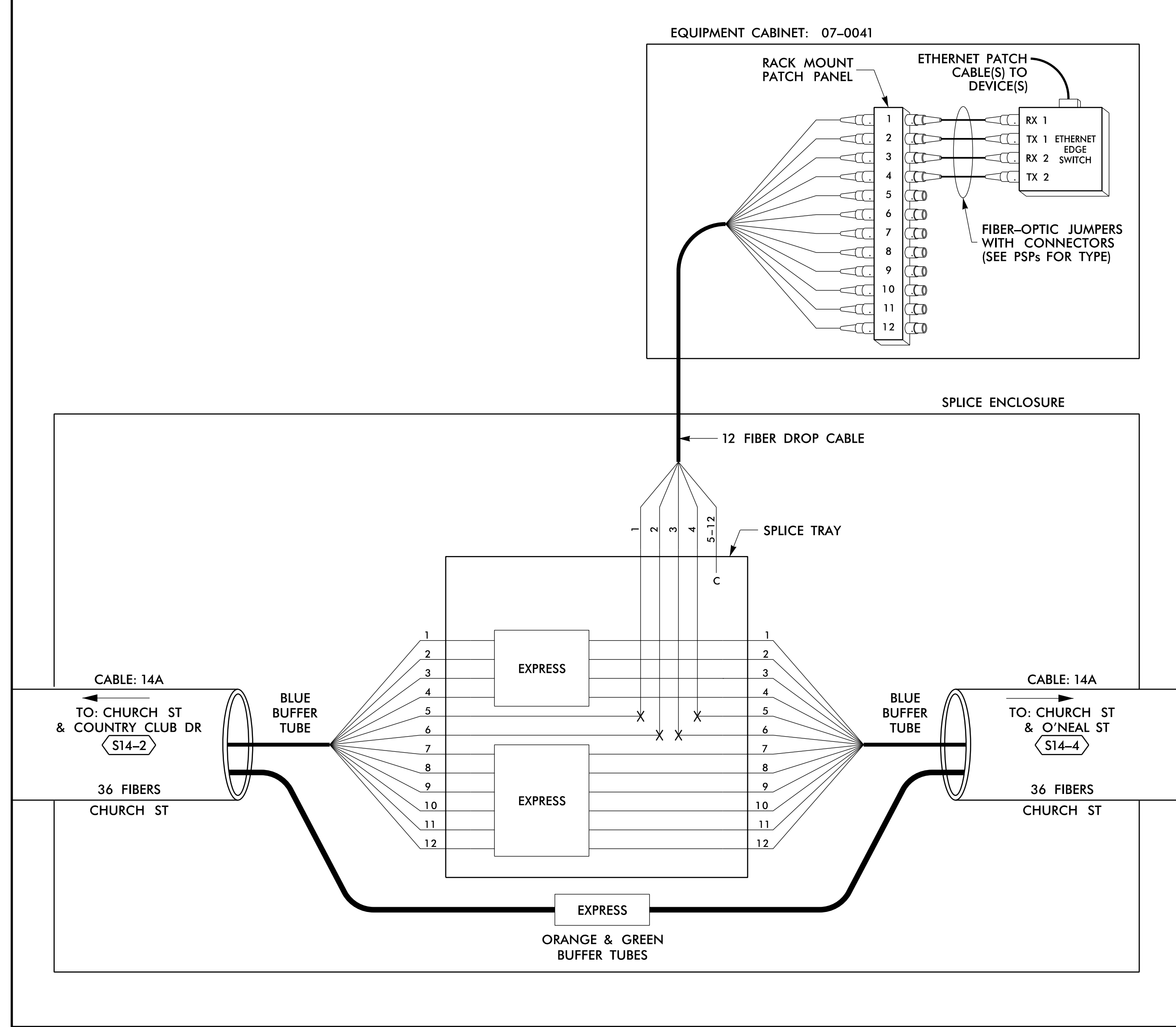
<p>750 Greenfield Parkway, Garner, NC 27529</p>	<p>Burlington-Graham Signal System Fiber-Optic Splicing Details</p>		
	<p>Division 7 Alamance County Burlington & Graham</p>		
	<p>PLAN DATE: June 2018</p>	<p>REVIEWED BY: HA BADGETT</p>	
	<p>PREPARED BY: BJ SLOCUM</p>	<p>REVIEWED BY: DL JONES</p>	
<p>SCALE: N/A</p>	<p>REVISIONS</p>	<p>INIT. DATE</p>	<p>DATE</p>

DATE: 6/15/2018
CADD File name: FS_4.085.dgn

SPLICE NO.

S14-3

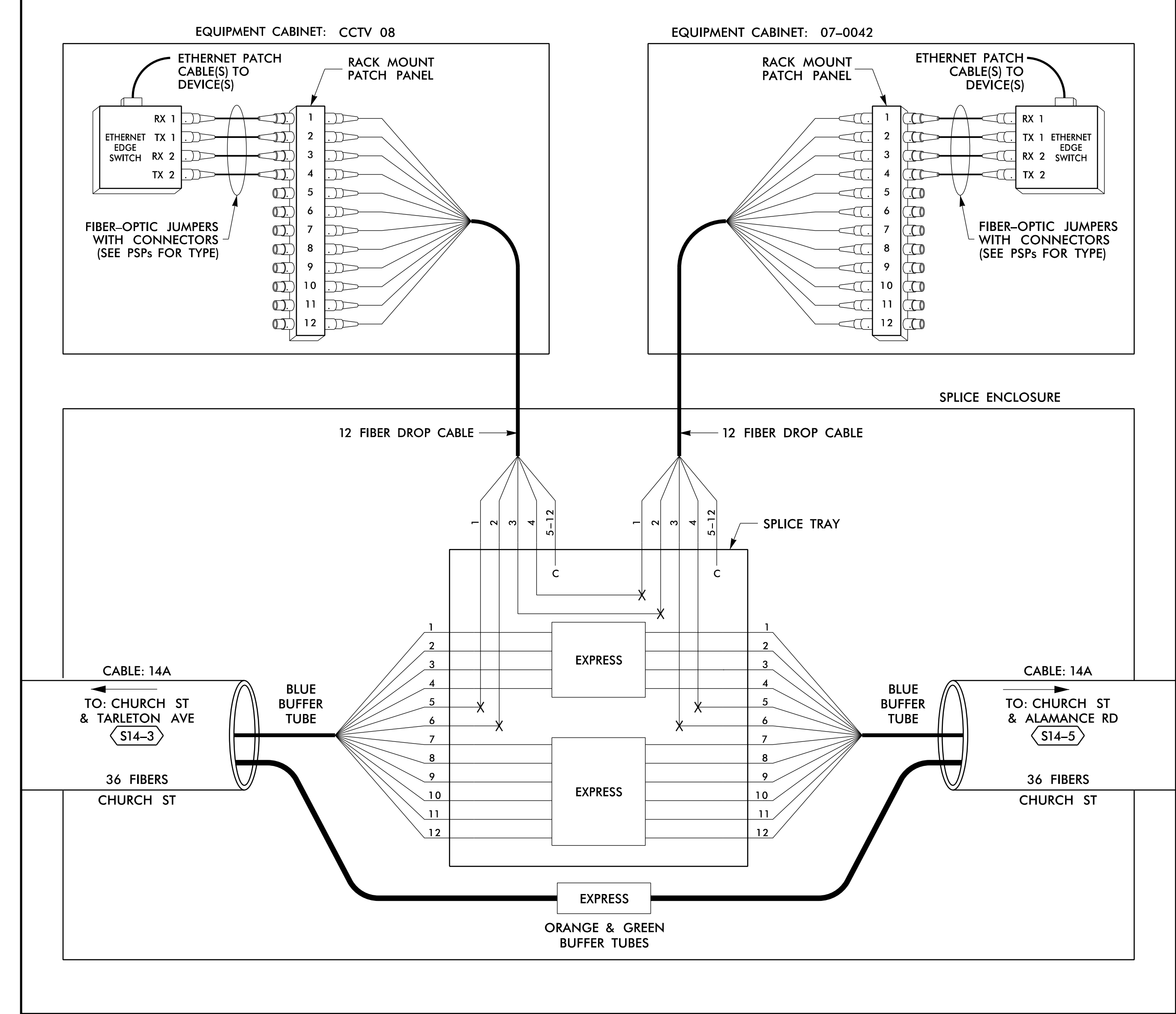
CHURCH ST & TARLETON AVE
SEE: CRP-6.020



SPLICE NO.

S14-4

CHURCH ST & O'NEAL ST
SEE: CRP-6.019



14-JUN-2018 12:30
D:\Technical\proj\100056463 U-6015 B-C Sig Sys\Task 11_Comms\F S 4.086.dgn
S:\DCS\653 AT_LUS355433

LEGEND

COLOR CODE		TIA/EIA 598-B	
(1) BLUE	(7) RED	EXPRESS	EXPRESS ENTIRE BUFFER TUBE / FIBERS THROUGH WITHOUT CUTTING
(2) ORANGE	(8) BLACK	BUFFER SPLICE	SPLICE ALL FIBERS IN BUFFER TUBE COLOR TO COLOR
(3) GREEN	(9) YELLOW	EXISTING	EXISTING BUFFER TUBE / FIBERS DO NOT MODIFY EXISTING SPLICES OR EXPRESSED FIBERS.
(4) BROWN	(10) VIOLET		
(5) SLATE	(11) ROSE		
(6) WHITE	(12) AQUA		

X = FUSION SPLICE INDIVIDUAL FIBER
C = CAP AND SEAL

NOTES

- UNUSED FIBERS LEFT COILED AND STORED IN SPLICE TRAY
- UNUSED BUFFER TUBES LEFT COILED AND STORED IN SPLICE ENCLOSURE
- EDGE SWITCH CONFIGURATIONS ARE GENERIC. CONTRACTOR IS RESPONSIBLE FOR DETERMINING/ENSURING THE PROPER TERMINATIONS.

ATKINS

1616 EAST MILLBROOK ROAD, SUITE 160
RALEIGH, NORTH CAROLINA 27609
(919) 876-6888 NCBES #F-0326

DOCUMENT NOT CONSIDERED FINAL
UNLESS ALL SIGNATURES COMPLETED

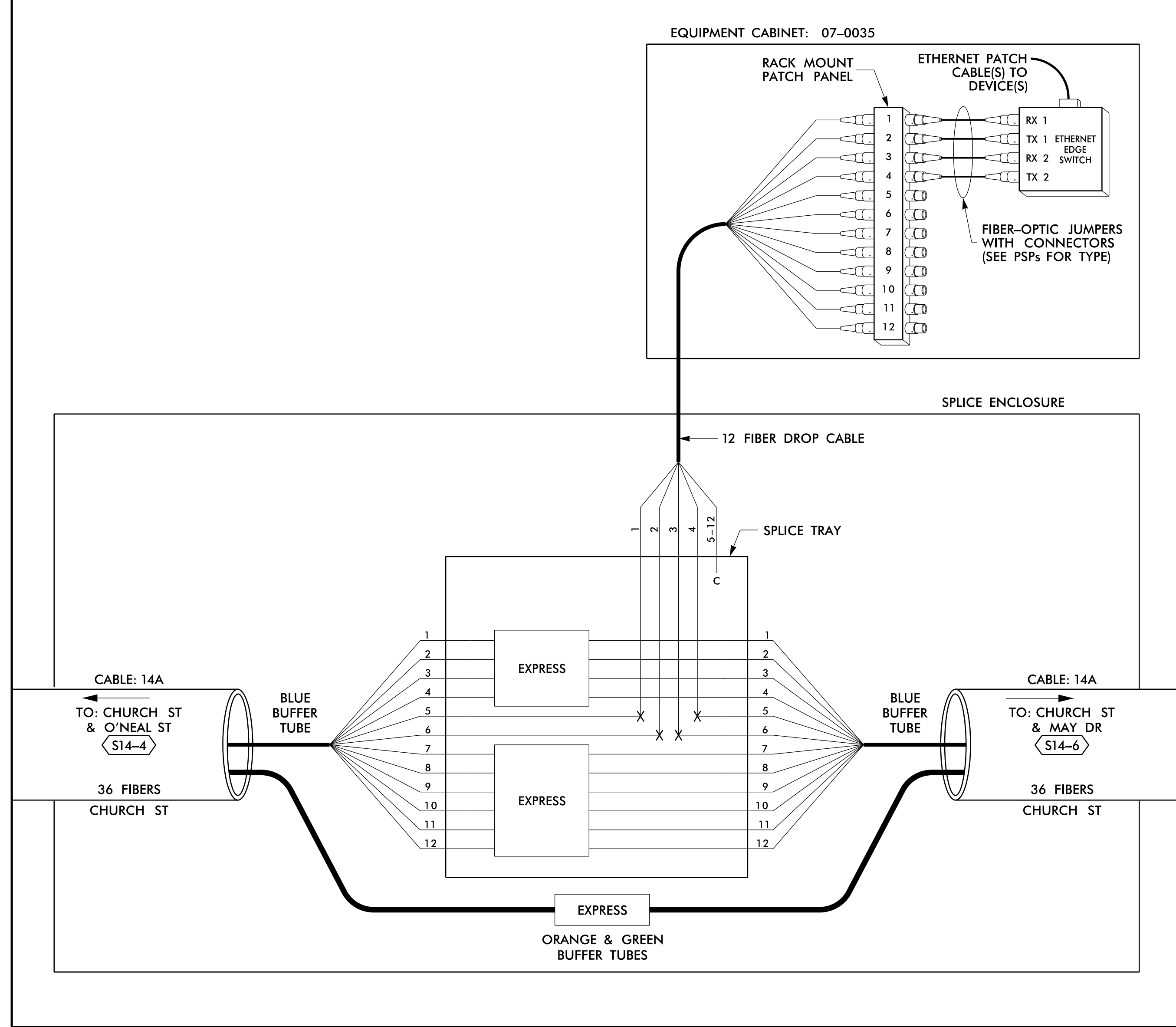
	<p>Burlington-Graham Signal System Fiber-Optic Splicing Details</p>		
	<p>Division 7 Alamance County</p>	<p>Burlington & Graham</p>	
	<p>PLAN DATE: June 2018</p>	<p>REVIEWED BY: HA BADGETT</p>	
<p>750 Greenfield Parkway, Garner, NC 27529</p>	<p>PREPARED BY: BJ SLOCUM</p>	<p>REVIEWED BY: DL JONES</p>	<p>DATE: 6/15/2018</p>
<p>SCALE: N/A</p>	<p>REVISIONS</p>	<p>INIT.</p>	<p>DATE</p>

CADD Filename: FS_4.086.dgn

SPLICE NO.

S14-5

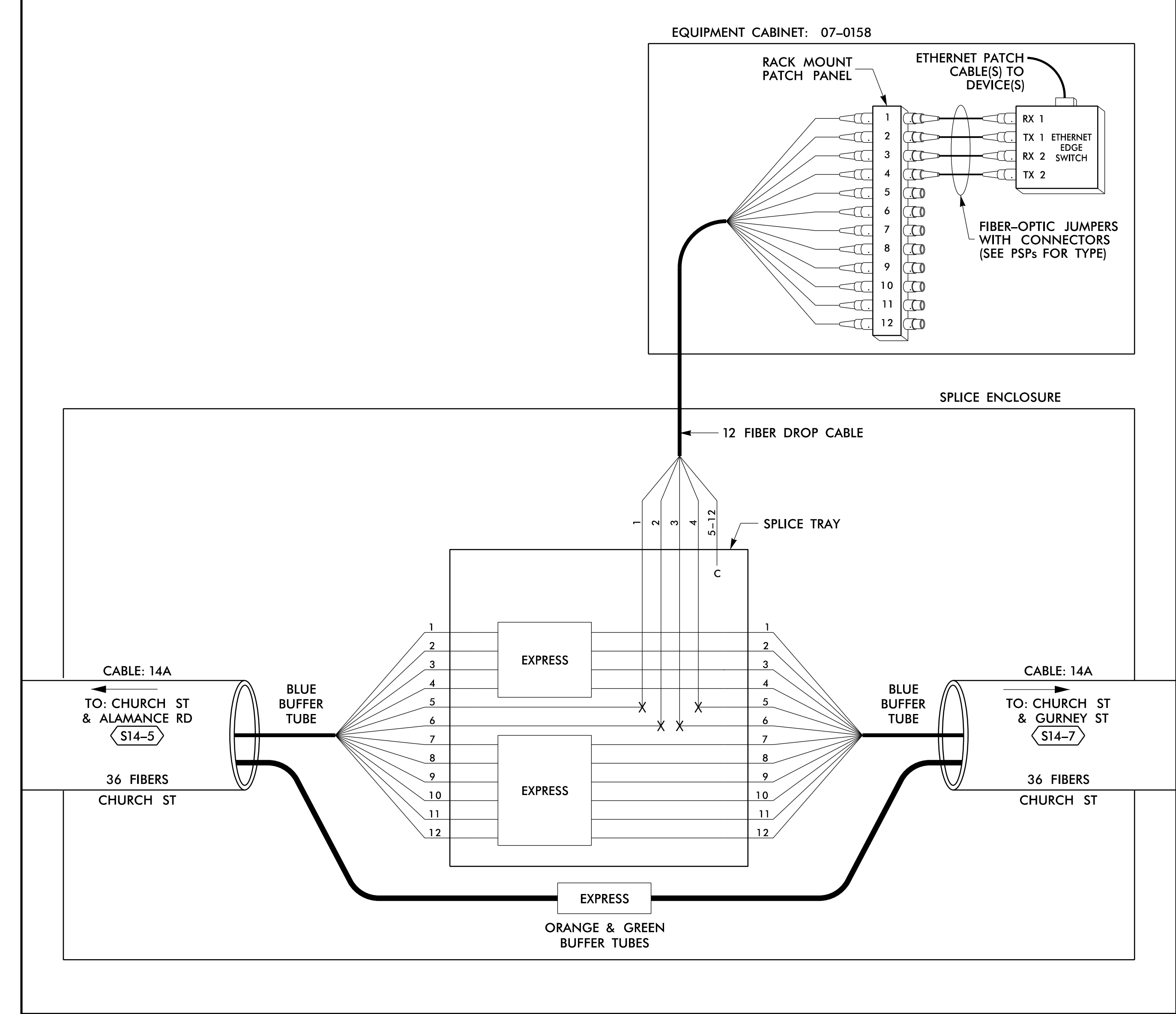
CHURCH ST & ALAMANCE RD
SEE: CRP-6.019



SPLICE NO.

S14-6

CHURCH ST & MAY DR
SEE: CRP-6.017



14 JUN 2018 12:30
 D:\projects\proj\100056469 U-6015 B-C Sig Sys\Task 11_Corrs\F_S 4.087.dgn
 SLOJ3653 AT LUS355433

LEGEND

COLOR CODE TIA/EIA 598-B		X = FUSION SPLICE INDIVIDUAL FIBER	EXPRESS	EXPRESS ENTIRE BUFFER TUBE / FIBERS THROUGH WITHOUT CUTTING
(1) BLUE	(7) RED	C = CAP AND SEAL	BUFFER SPLICE	SPLICE ALL FIBERS IN BUFFER TUBE COLOR TO COLOR
(2) ORANGE	(8) BLACK		EXISTING	EXISTING BUFFER TUBE / FIBERS DO NOT MODIFY EXISTING SPLICES OR EXPRESSED FIBERS.
(3) GREEN	(9) YELLOW			
(4) BROWN	(10) VIOLET			
(5) SLATE	(11) ROSE			
(6) WHITE	(12) AQUA			

NOTES

- UNUSED FIBERS LEFT COILED AND STORED IN SPLICE TRAY
- UNUSED BUFFER TUBES LEFT COILED AND STORED IN SPLICE ENCLOSURE
- EDGE SWITCH CONFIGURATIONS ARE GENERIC. CONTRACTOR IS RESPONSIBLE FOR DETERMINING/ENSURING THE PROPER TERMINATIONS.

ATKINS 1616 EAST MILLBROOK ROAD, SUITE 160
RALEIGH, NORTH CAROLINA 27609
(919) 876-6888 NCBEEES #F-0326

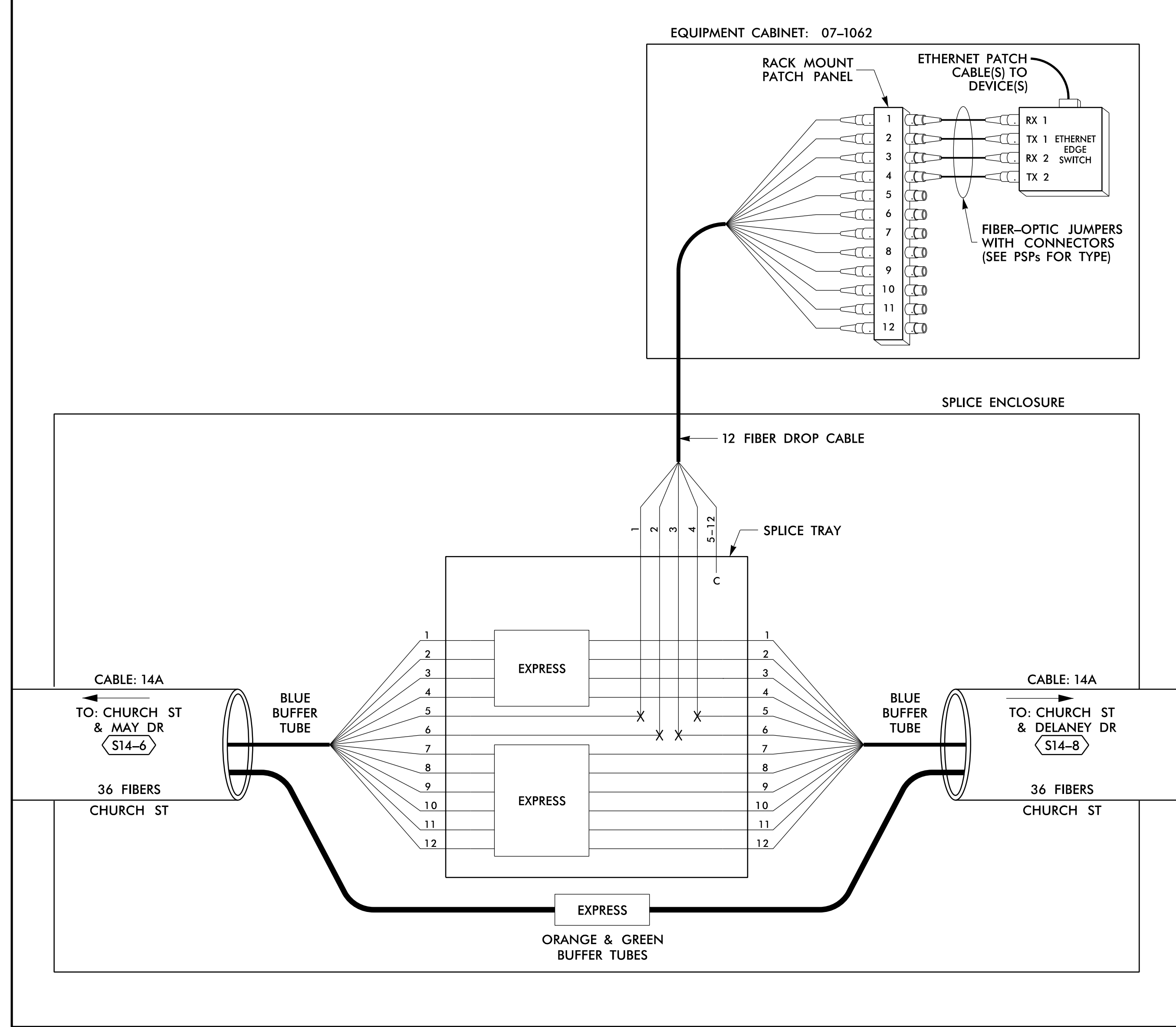
DOCUMENT NOT CONSIDERED FINAL UNLESS ALL SIGNATURES COMPLETED

	Burlington-Graham Signal System Fiber-Optic Splicing Details		
	Division 7 Alamance County	Burlington & Graham	
PLAN DATE: June 2018	REVIEWED BY: HA BADGETT	PREPARED BY: BJ SLOCUM	
REVISIONS	INIT.	DATE	DATE
SCALE: N/A	REVISIONS	INIT.	DATE

SPLICE NO.

S14-7

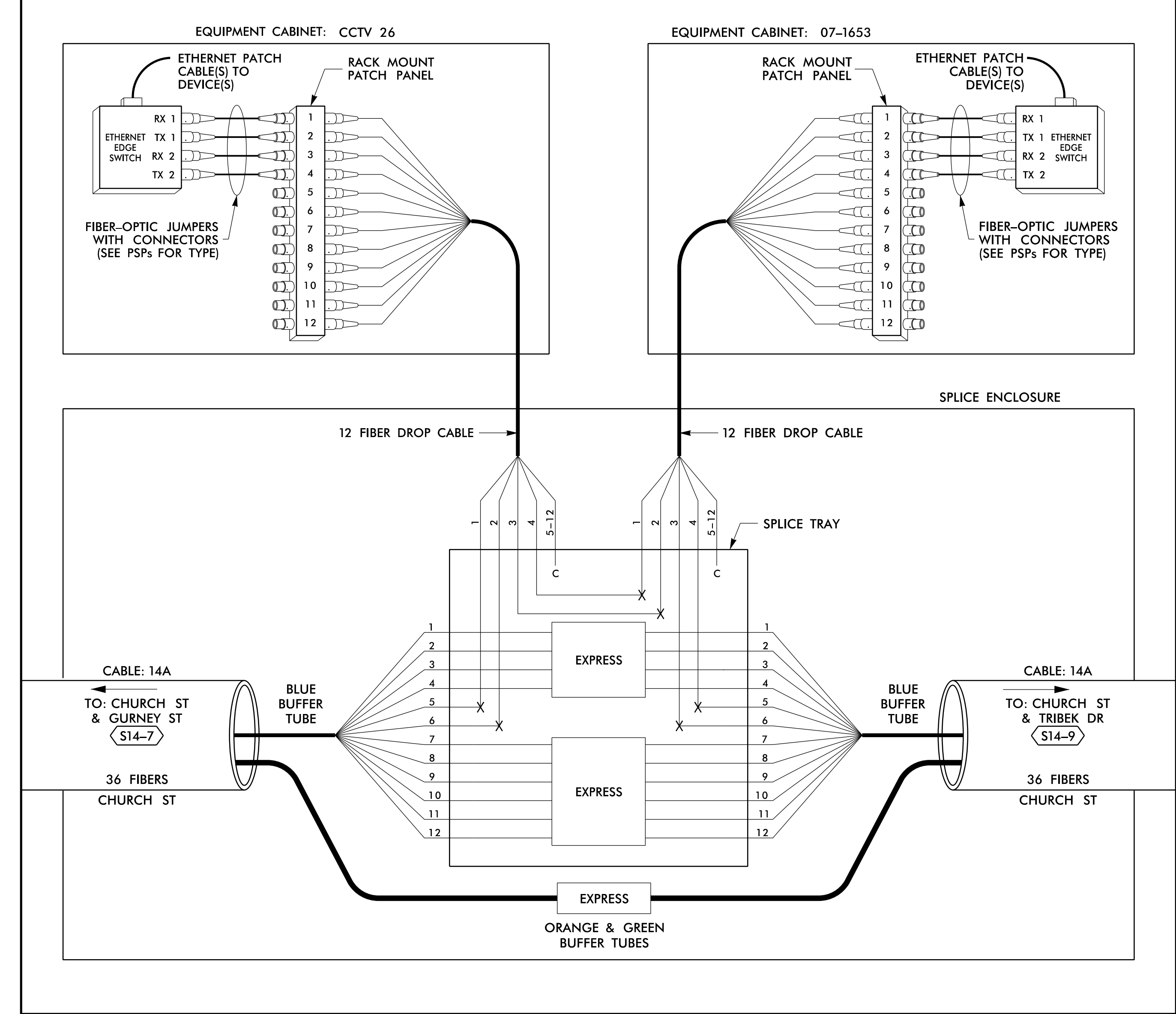
CHURCH ST & GURNEY ST
SEE: CRP-6.016



SPLICE NO.

S14-8

CHURCH ST & DELANEY DR
SEE: CRP-6.015



14 JUN 2018 12:30
 D:\projects\proj\100056469 U-6015 B-C Sig Sys\Task 11_Corrs\F S 4.088.dgn
 S:\033633 AT_LUS355433

LEGEND

COLOR CODE TIA/EIA 598-B		X = FUSION SPLICE INDIVIDUAL FIBER C = CAP AND SEAL
(1) BLUE	(7) RED	EXPRESS
(2) ORANGE	(8) BLACK	BUFFER SPLICE
(3) GREEN	(9) YELLOW	EXISTING
(4) BROWN	(10) VIOLET	
(5) SLATE	(11) ROSE	
(6) WHITE	(12) AQUA	


EXPRESS ENTIRE BUFFER TUBE / FIBERS THROUGH WITHOUT CUTTING
 SPLICE ALL FIBERS IN BUFFER TUBE COLOR TO COLOR
 EXISTING BUFFER TUBE / FIBERS DO NOT MODIFY EXISTING SPLICES OR EXPRESSED FIBERS.

NOTES

- UNUSED FIBERS LEFT COILED AND STORED IN SPLICE TRAY
- UNUSED BUFFER TUBES LEFT COILED AND STORED IN SPLICE ENCLOSURE
- EDGE SWITCH CONFIGURATIONS ARE GENERIC. CONTRACTOR IS RESPONSIBLE FOR DETERMINING/ENSURING THE PROPER TERMINATIONS.

ATKINS 1616 EAST MILLBROOK ROAD, SUITE 160
 RALEIGH, NORTH CAROLINA 27609
 (919) 876-6888 NCBEEES #F-0326

DOCUMENT NOT CONSIDERED FINAL UNLESS ALL SIGNATURES COMPLETED

Prepared for the Offices of:  750 Greenfield Parkway, Garner, NC 27529	Burlington-Graham Signal System Fiber-Optic Splicing Details		SEAL NORTH CAROLINA PROFESSIONAL SEAL 040877 ENGINEER Bradford J. Slocum 15/2018 DATE	
	Division 7 Alamance County Burlington & Graham	PLAN DATE: June 2018 REVIEWED BY: HA BADGETT		
	PREPARED BY: BJ SLOCUM	REVIEWED BY: DL JONES		REVISIONS INIT. DATE

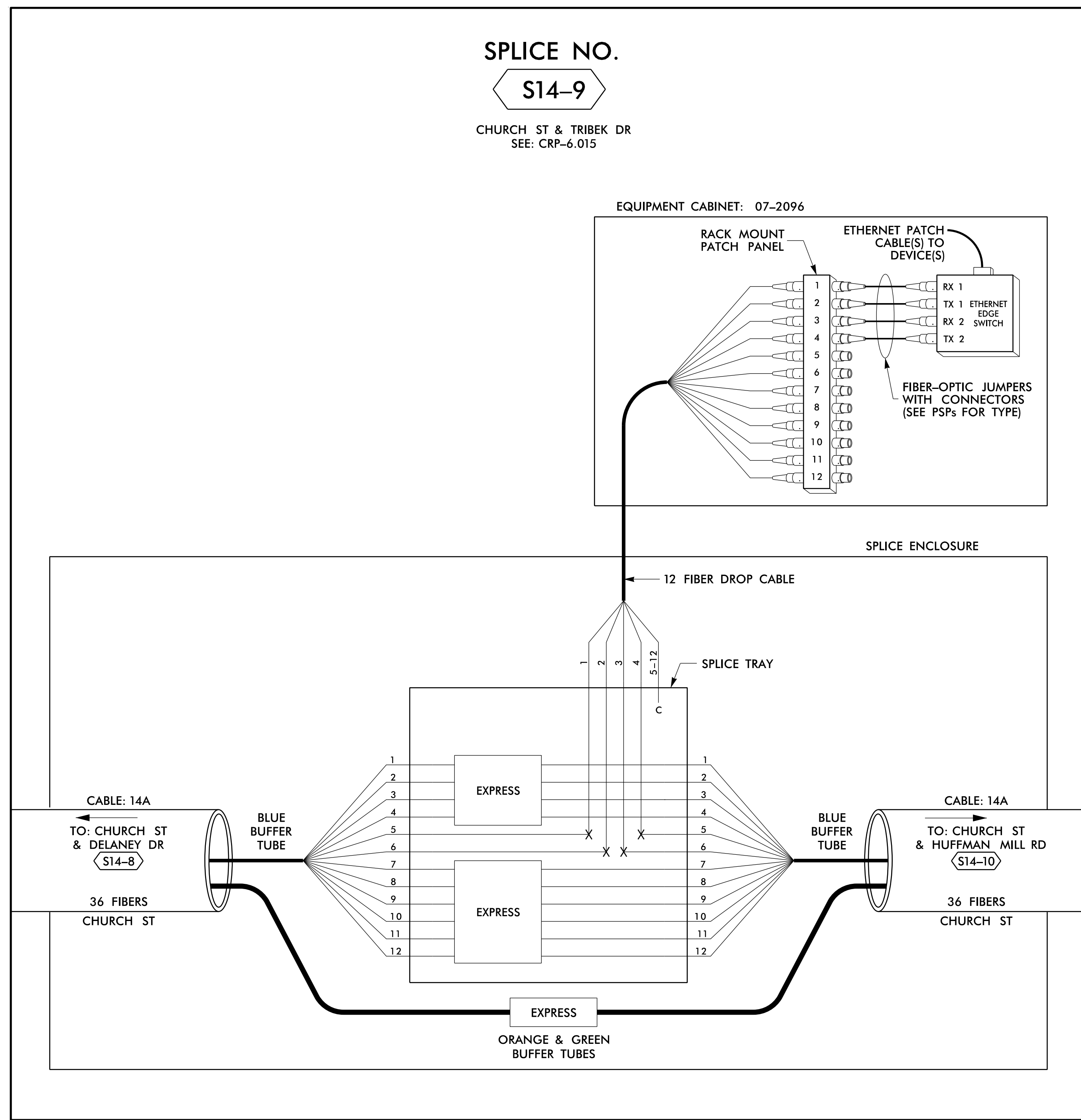
SCALE: N/A

CADD File name: FS 4.088.dgn

SPLICE NO.

S14-9

CHURCH ST & TRIBEK DR
SEE: CRP-6.015



14 JUN 2018 12:30
 D:\Technical\proj\100056469 U-6015 B-C Sig Sys\Task 11_Coms\F5 4.089.dgn
 S:\DCS\653 AT_LUS355433

LEGEND

COLOR CODE TIA/EIA 598-B		X = FUSION SPlice INDIVIDUAL FIBER C = CAP AND SEAL
(1) BLUE	(7) RED	EXPRESS
(2) ORANGE	(8) BLACK	EXPRESS ENTIRE BUFFER TUBE / FIBERS THROUGH WITHOUT CUTTING
(3) GREEN	(9) YELLOW	BUFFER SPlice
(4) BROWN	(10) VIOLET	SPlice ALL FIBERS IN BUFFER TUBE COLOR TO COLOR
(5) SLATE	(11) ROSE	EXISTING
(6) WHITE	(12) AQUA	EXISTING BUFFER TUBE / FIBERS DO NOT MODIFY EXISTING SPlices OR EXPRESSED FIBERS.

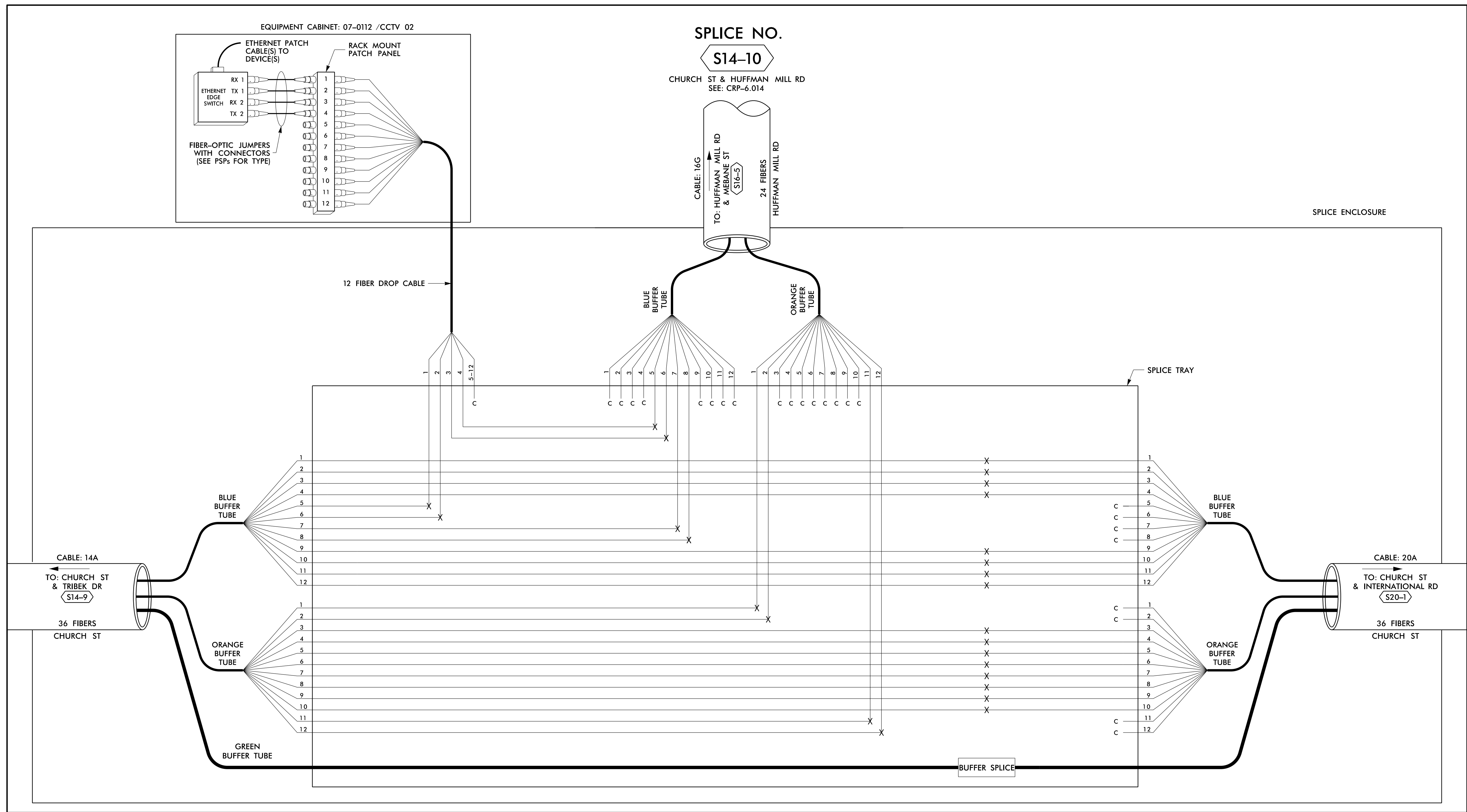
NOTES

- UNUSED FIBERS LEFT COILED AND STORED IN SPLICE TRAY
- UNUSED BUFFER TUBES LEFT COILED AND STORED IN SPLICE ENCLOSURE
- EDGE SWITCH CONFIGURATIONS ARE GENERIC. CONTRACTOR IS RESPONSIBLE FOR DETERMINING/ENSURING THE PROPER TERMINATIONS.

ATKINS 1616 EAST MILLBROOK ROAD, SUITE 160
 RALEIGH, NORTH CAROLINA 27609
 (919) 876-6888 NCBES #F-0326

DOCUMENT NOT CONSIDERED FINAL UNLESS ALL SIGNATURES COMPLETED

Prepared for the Offices of: 750 Greenfield Parkway, Garner, NC 27529	Burlington-Graham Signal System Fiber-Optic Splicing Details		SEAL NORTH CAROLINA PROFESSIONAL ENGINEER SEAL 040877 BRADFORD J. SLOCUM 15/2018 DATE
	Division 7 Alamance County PLAN DATE: June 2018 PREPARED BY: BJ SLOCUM	Burlington & Graham REVIEWED BY: HA BADGETT REVIEWED BY: DL JONES	
SCALE N/A	CADD File name: FS_4.089.dgn		



14 JUN 2018 12:30 D:\temp\proj\11\comms\11_00056469 U-6015 B-C Sig Sys\Task 11_Comms\F 4.090.dgn S:\03563 AT LUS355433

LEGEND

COLOR CODE TIA/EIA 598-B	X = FUSION SPLICE INDIVIDUAL FIBER	EXPRESS	EXPRESS ENTIRE BUFFER TUBE /FIBERS THROUGH WITHOUT CUTTING
(1) BLUE	C = CAP AND SEAL	BUFFER SPLICE	SPLICE ALL FIBERS IN BUFFER TUBE COLOR TO COLOR
(2) ORANGE		EXISTING	EXISTING BUFFER TUBE /FIBERS DO NOT MODIFY EXISTING SPLICES OR EXPRESSED FIBERS.
(3) GREEN			
(4) BROWN			
(5) SLATE			
(6) WHITE			
(7) RED			
(8) BLACK			
(9) YELLOW			
(10) VIOLET			
(11) ROSE			
(12) AQUA			

- NOTES**
- UNUSED FIBERS LEFT COILED AND STORED IN SPICE TRAY
 - UNUSED BUFFER TUBES LEFT COILED AND STORED IN SPICE ENCLOSURE
 - EDGE SWITCH CONFIGURATIONS ARE GENERIC. CONTRACTOR IS RESPONSIBLE FOR DETERMINING/ENSURING THE PROPER TERMINATIONS.

ATKINS 1616 EAST MILLBROOK ROAD, SUITE 160
RALEIGH, NORTH CAROLINA 27609
(919) 876-6888 NCBEE# F-0326

DOCUMENT NOT CONSIDERED FINAL UNLESS ALL SIGNATURES COMPLETED

Prepared for the Offices of:

 State of North Carolina
 Department of Transportation

**Burlington-Graham Signal System
Fiber-Optic Splicing Details**

Division 7 Alamance County Burlington & Graham

PLAN DATE: June 2018 REVIEWED BY: HA BADGETT
 PREPARED BY: BJ SLOCUM REVIEWED BY: DL JONES

REVISIONS	INIT.	DATE

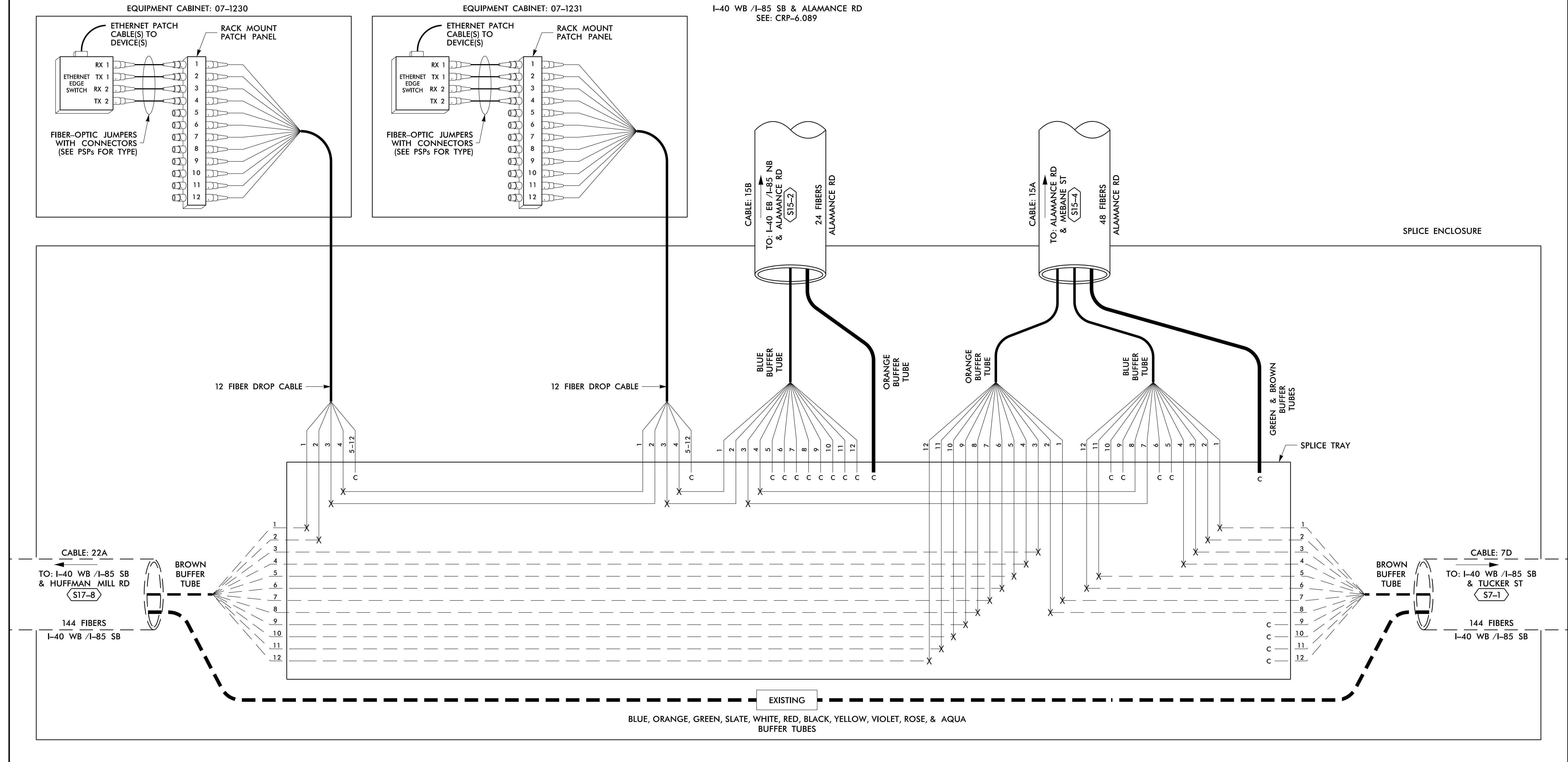
SCALE: N/A

Seal: NORTH CAROLINA PROFESSIONAL SEAL 040877
 ENGINEER: Bradford J. Slocum
 DATE: 6/15/2018
 CAD File name: FS 4.090.dgn

SPLICE NO.

S15-1

I-40 WB /I-85 SB & ALAMANCE RD
SEE: CRP-6.089



LEGEND

COLOR CODE TIA/EIA 598-B		X = FUSION SPLICE INDIVIDUAL FIBER	
(1) BLUE	(7) RED	EXPRESS	EXPRESS ENTIRE BUFFER TUBE / FIBERS THROUGH WITHOUT CUTTING
(2) ORANGE	(8) BLACK	BUFFER SPLICE	SPLICE ALL FIBERS IN BUFFER TUBE COLOR TO COLOR
(3) GREEN	(9) YELLOW	EXISTING	EXISTING BUFFER TUBE / FIBERS DO NOT MODIFY EXISTING SPLICES OR EXPRESSED FIBERS.
(4) BROWN	(10) VIOLET		
(5) SLATE	(11) ROSE		
(6) WHITE	(12) AQUA		
		C = CAP AND SEAL	

NOTES

- UNUSED FIBERS LEFT COILED AND STORED IN SPLICE TRAY
- UNUSED BUFFER TUBES LEFT COILED AND STORED IN SPLICE ENCLOSURE
- EDGE SWITCH CONFIGURATIONS ARE GENERIC. CONTRACTOR IS RESPONSIBLE FOR DETERMINING/ENSURING THE PROPER TERMINATIONS.

ATKINS 1616 EAST MILLBROOK ROAD, SUITE 160
RALEIGH, NORTH CAROLINA 27609
(919) 876-6888 NCBEEES #F-0326

DOCUMENT NOT CONSIDERED FINAL UNLESS ALL SIGNATURES COMPLETED

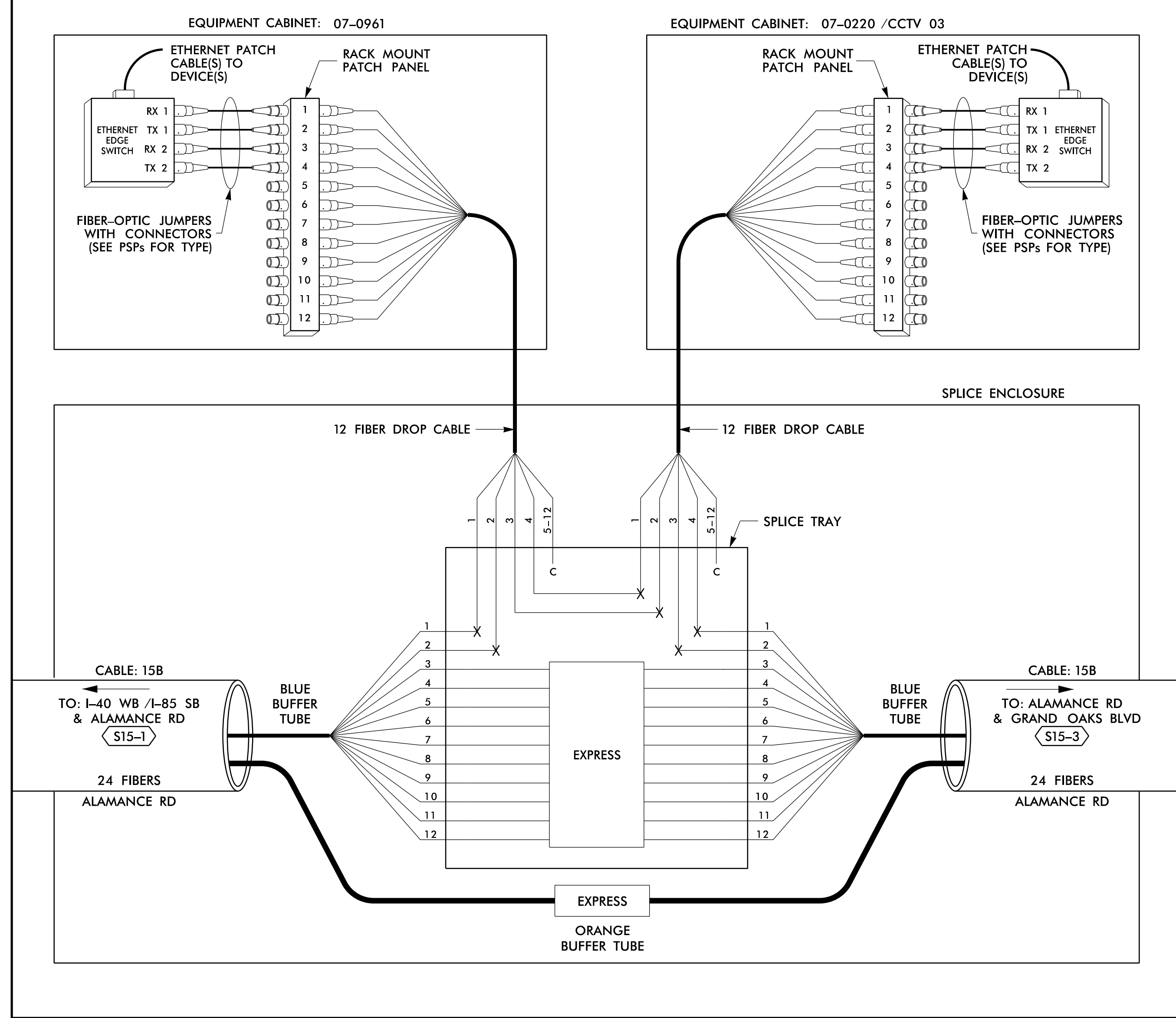
	Burlington-Graham Signal System Fiber-Optic Splicing Details		
	Division 7 Alamance County	Burlington & Graham	
PLAN DATE: June 2018	REVIEWED BY: HA BADGETT	PREPARED BY: BJ SLOCUM	REVIEWED BY: DL JONES
SCALE: N/A	REVISIONS	INIT.	DATE
CADD File name: FS_4.091.dgn			

14 JUN 2018 12:30
 D:\projects\atkins\proj\0615_B-C_Sig_Sys\Task_11_Comms\F_S 4.091.dgn
 S:\035633 AT_LUS355433

SPLICE NO.

S15-2

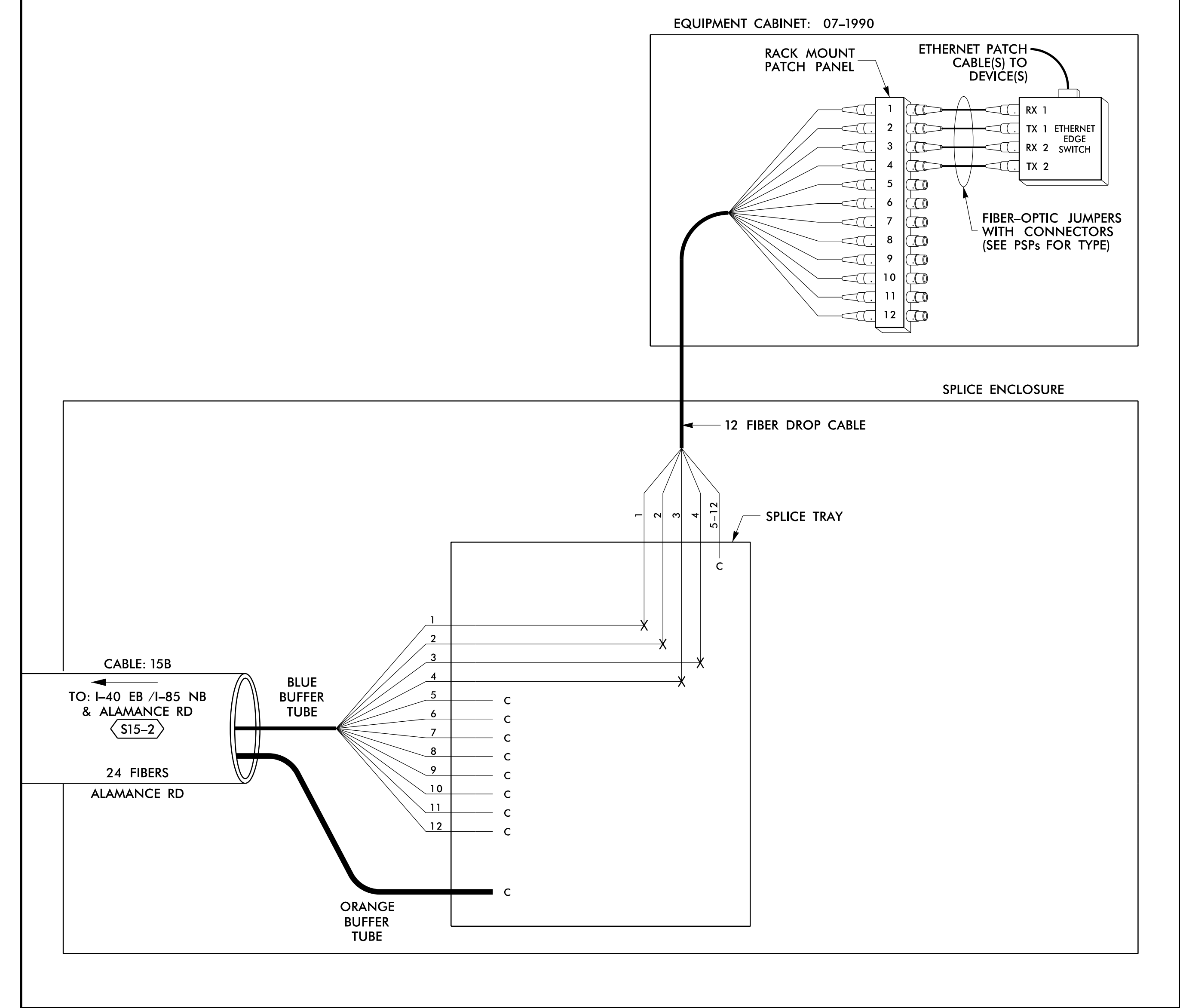
I-40 EB /I-85 NB & ALAMANCE RD
SEE: CRP-6.089



SPLICE NO.

S15-3

ALAMANCE RD & GRAND OAKS BLVD
SEE: CRP-6.087



14 JUN 2018 12:30
 D:\projects\proj\11\comms\11_00056469 U-6015 B-C Sig_Sys\Task 11_Comms\F S 4.092.dgn
 SLOJ3653 AT LUS355433

LEGEND

COLOR CODE TIA/EIA 598-B		X = FUSION SPLICE INDIVIDUAL FIBER	
(1) BLUE	(7) RED	EXPRESS	EXPRESS ENTIRE BUFFER TUBE /FIBERS THROUGH WITHOUT CUTTING
(2) ORANGE	(8) BLACK	BUFFER SPLICE	SPLICE ALL FIBERS IN BUFFER TUBE COLOR TO COLOR
(3) GREEN	(9) YELLOW	EXISTING	EXISTING BUFFER TUBE /FIBERS DO NOT MODIFY EXISTING SPLICES OR EXPRESSED FIBERS.
(4) BROWN	(10) VIOLET		
(5) SLATE	(11) ROSE		
(6) WHITE	(12) AQUA		

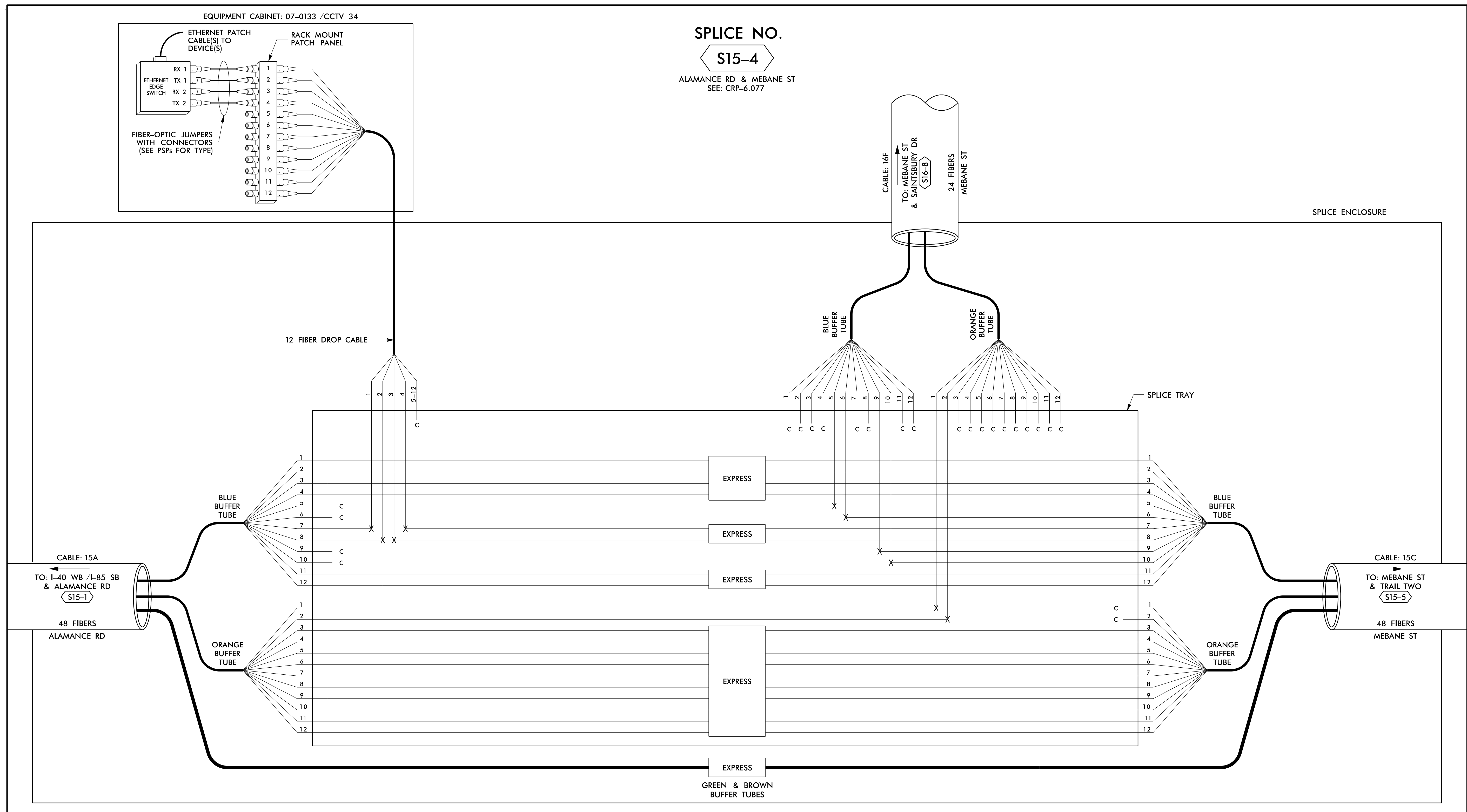
NOTES

- UNUSED FIBERS LEFT COILED AND STORED IN SPLICE TRAY
- UNUSED BUFFER TUBES LEFT COILED AND STORED IN SPLICE ENCLOSURE
- EDGE SWITCH CONFIGURATIONS ARE GENERIC. CONTRACTOR IS RESPONSIBLE FOR DETERMINING/ENSURING THE PROPER TERMINATIONS.

ATKINS 1616 EAST MILLBROOK ROAD, SUITE 160
RALEIGH, NORTH CAROLINA 27609
(919) 876-6888 NCBEEES #F-0326

DOCUMENT NOT CONSIDERED FINAL
UNLESS ALL SIGNATURES COMPLETED

<p>750 Greenfield Parkway, Garner, NC 27529</p>	Prepared for the Offices of: NORTH CAROLINA DEPARTMENT OF TRANSPORTATION Division 7 Alameda County Burlington & Graham		
	Burlington-Graham Signal System Fiber-Optic Splicing Details		
	PLAN DATE: June 2018 PREPARED BY: BJ SLOCUM	REVIEWED BY: HA BADGETT REVIEWED BY: DL JONES	
	SCALE: N/A	REVISIONS: _____ INIT.: _____ DATE: _____	



SPLICE NO.
S15-4

ALAMANCE RD & MEBANE ST
 SEE: CRP-6.077

SPLICE ENCLOSURE

LEGEND

EXPRESS	EXPRESS ENTIRE BUFFER TUBE / FIBERS THROUGH WITHOUT CUTTING
BUFFER SPLICE	SPLICE ALL FIBERS IN BUFFER TUBE COLOR TO COLOR
EXISTING	EXISTING BUFFER TUBE / FIBERS DO NOT MODIFY EXISTING SPLICES OR EXPRESSED FIBERS.

- NOTES**
- UNUSED FIBERS LEFT COILED AND STORED IN SPLICE TRAY
 - UNUSED BUFFER TUBES LEFT COILED AND STORED IN SPLICE ENCLOSURE
 - EDGE SWITCH CONFIGURATIONS ARE GENERIC. CONTRACTOR IS RESPONSIBLE FOR DETERMINING/ENSURING THE PROPER TERMINATIONS.

ATKINS 1616 EAST MILLBROOK ROAD, SUITE 160
 RALEIGH, NORTH CAROLINA 27609
 (919) 876-6888 NCBEEES #F-0326

DOCUMENT NOT CONSIDERED FINAL UNLESS ALL SIGNATURES COMPLETED

Prepared for the Offices of: 	
Burlington-Graham Signal System Fiber-Optic Splicing Details	
Division 7	Alamance County
PLAN DATE: June 2018	REVIEWED BY: HA BADGETT
PREPARED BY: BJ SLOCUM	REVIEWED BY: DL JONES
SCALE: N/A	DATE: 15/2018

BRADFORD J. SLOCUM
 ENGINEER
 SEAL 040877

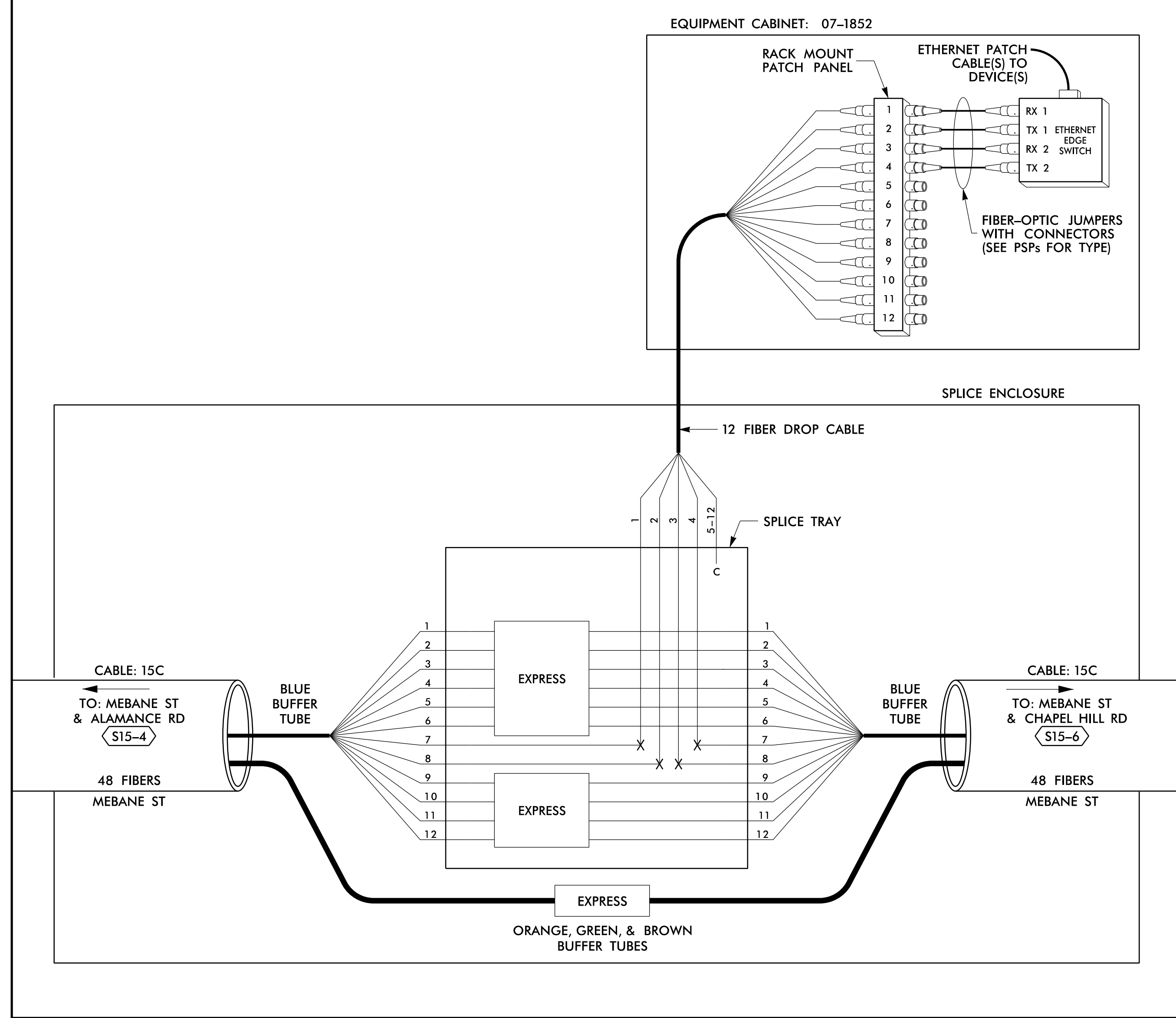
CADD File name: FS_4.093.dgn

14-JUN-2018 12:30
 D:\projects\proj\11\comms\11_00056469 U-6015 B-C Sig_Sys\Task 11_Comms\F5 4.093.dgn
 S:\DCS\653 AT_LUS355433

SPLICE NO.

S15-5

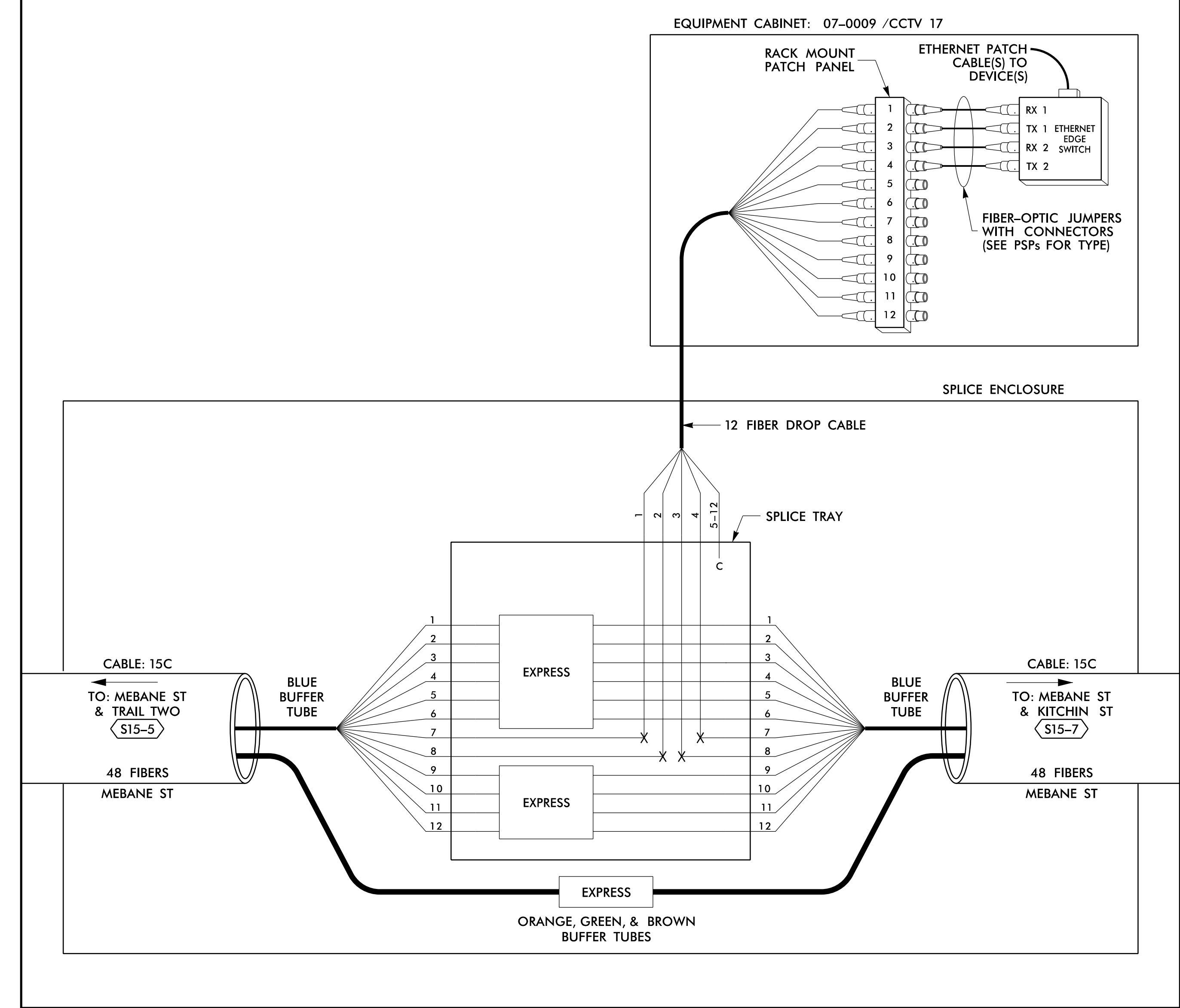
MEBANE ST & TRAIL TWO
SEE: CRP-6.078



SPLICE NO.

S15-6

MEBANE ST & CHAPEL HILL RD
SEE: CRP-6.081



14 JUN 2018 12:30
 D:\Technical\proj\11\comms\11_Coms\Fs 4.094.dgn
 S:\033633 AT LUS355433

LEGEND

COLOR CODE TIA/EIA 598-B		X = FUSION SPlice INDIVIDUAL FIBER C = CAP AND SEAL
(1) BLUE	(7) RED	EXPRESS EXPRESS ENTIRE BUFFER TUBE /FIBERS THROUGH WITHOUT CUTTING
(2) ORANGE	(8) BLACK	BUFFER SPlice SPlice ALL FIBERS IN BUFFER TUBE COLOR TO COLOR
(3) GREEN	(9) YELLOW	EXISTING EXISTING BUFFER TUBE /FIBERS DO NOT MODIFY EXISTING SPlices OR EXPRESSED FIBERS.
(4) BROWN	(10) VIOLET	
(5) SLATE	(11) ROSE	
(6) WHITE	(12) AQUA	

NOTES

- UNUSED FIBERS LEFT COILED AND STORED IN SPLICE TRAY
- UNUSED BUFFER TUBES LEFT COILED AND STORED IN SPLICE ENCLOSURE
- EDGE SWITCH CONFIGURATIONS ARE GENERIC. CONTRACTOR IS RESPONSIBLE FOR DETERMINING/ENSURING THE PROPER TERMINATIONS.

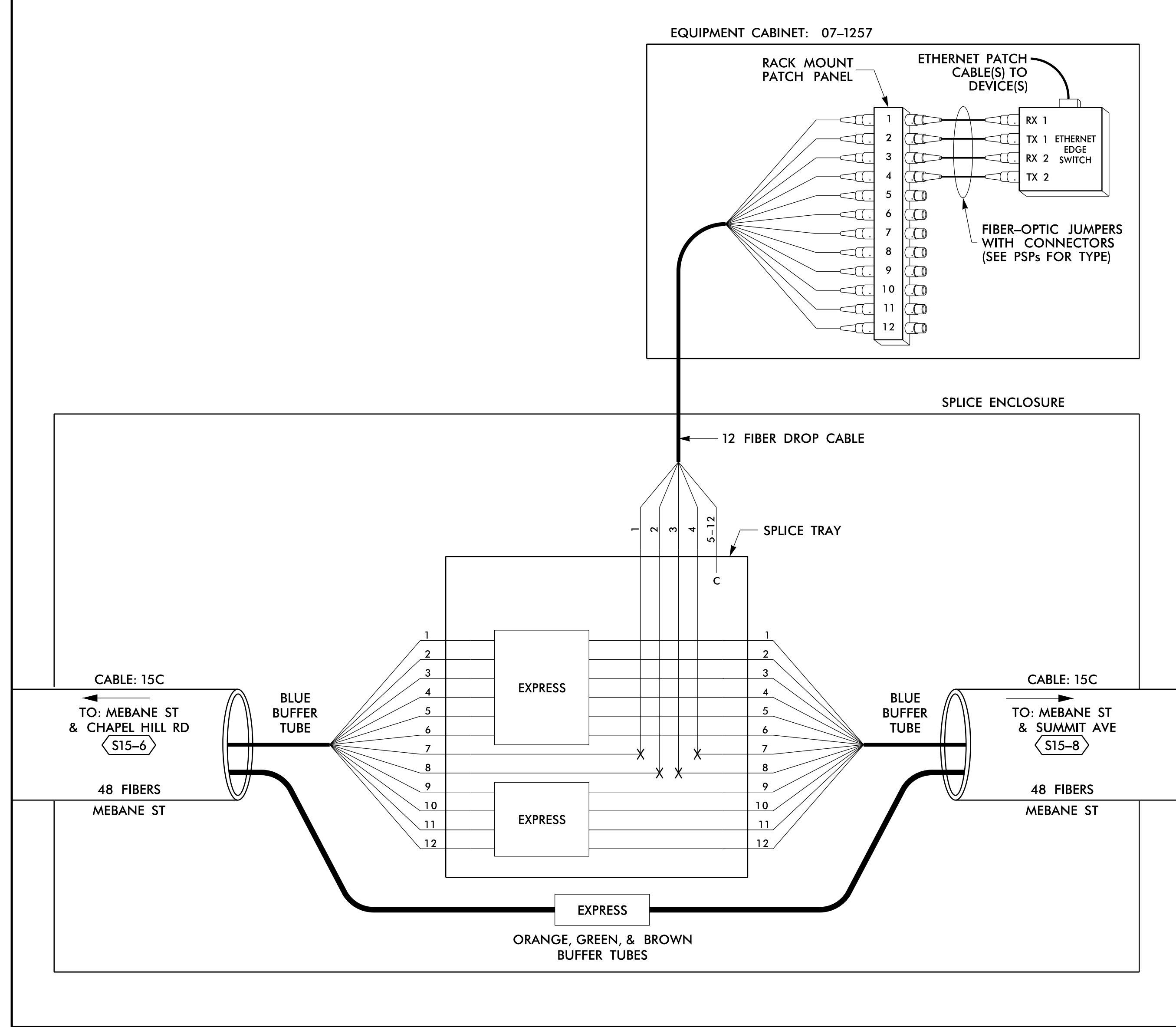
ATKINS 1616 EAST MILLBROOK ROAD, SUITE 160
 RALEIGH, NORTH CAROLINA 27609
 (919) 876-6888 NCBEEES #F-0326

DOCUMENT NOT CONSIDERED FINAL UNLESS ALL SIGNATURES COMPLETED

Prepared for the Offices of: 750 Greenfield Parkway, Garner, NC 27529 SCALE: N/A	Burlington-Graham Signal System Fiber-Optic Splicing Details		SEAL NORTH CAROLINA PROFESSIONAL ENGINEER SEAL 040877 BRADFORD J. SLOCUM 15/2018 DATE
	Division 7 Alamance County PLAN DATE: June 2018 PREPARED BY: BJ SLOCUM	Burlington & Graham REVIEWED BY: HA BADGETT REVIEWED BY: DL JONES	

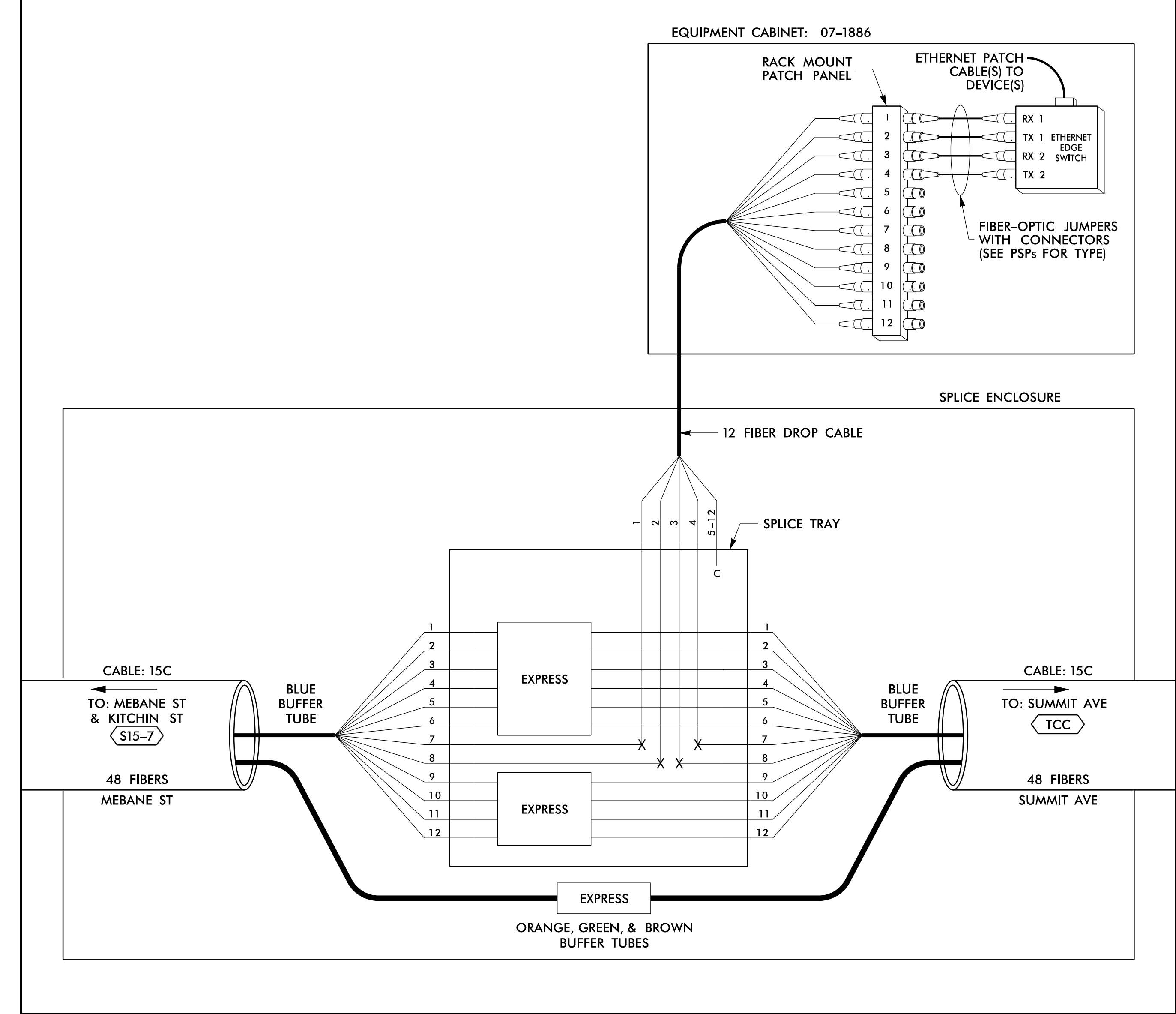
SPLICE NO.
S15-7

MEBANE ST & KITCHIN ST
SEE: CRP-6.083



SPLICE NO.
S15-8

MEBANE ST & SUMMIT AVE
SEE: CRP-6.084



14 JUN 2018 12:30
 D:\projects\proj\100056463 U-6015 B-C Sig Sys\Task 11_Corrs\Fs 4.095.dgn
 S:\033633 AT_LUS355433

LEGEND

COLOR CODE TIA/EIA 598-B		X = FUSION SPlice INDIVIDUAL FIBER	EXPRESS	EXPRESS ENTIRE BUFFER TUBE / FIBERS THROUGH WITHOUT CUTTING
(1) BLUE	(7) RED	C = CAP AND SEAL	BUFFER SPlice	SPlice ALL FIBERS IN BUFFER TUBE COLOR TO COLOR
(2) ORANGE	(8) BLACK		EXISTING	EXISTING BUFFER TUBE / FIBERS DO NOT MODIFY EXISTING SPlices OR EXPRESSED FIBERS.
(3) GREEN	(9) YELLOW			
(4) BROWN	(10) VIOLET			
(5) SLATE	(11) ROSE			
(6) WHITE	(12) AQUA			

NOTES

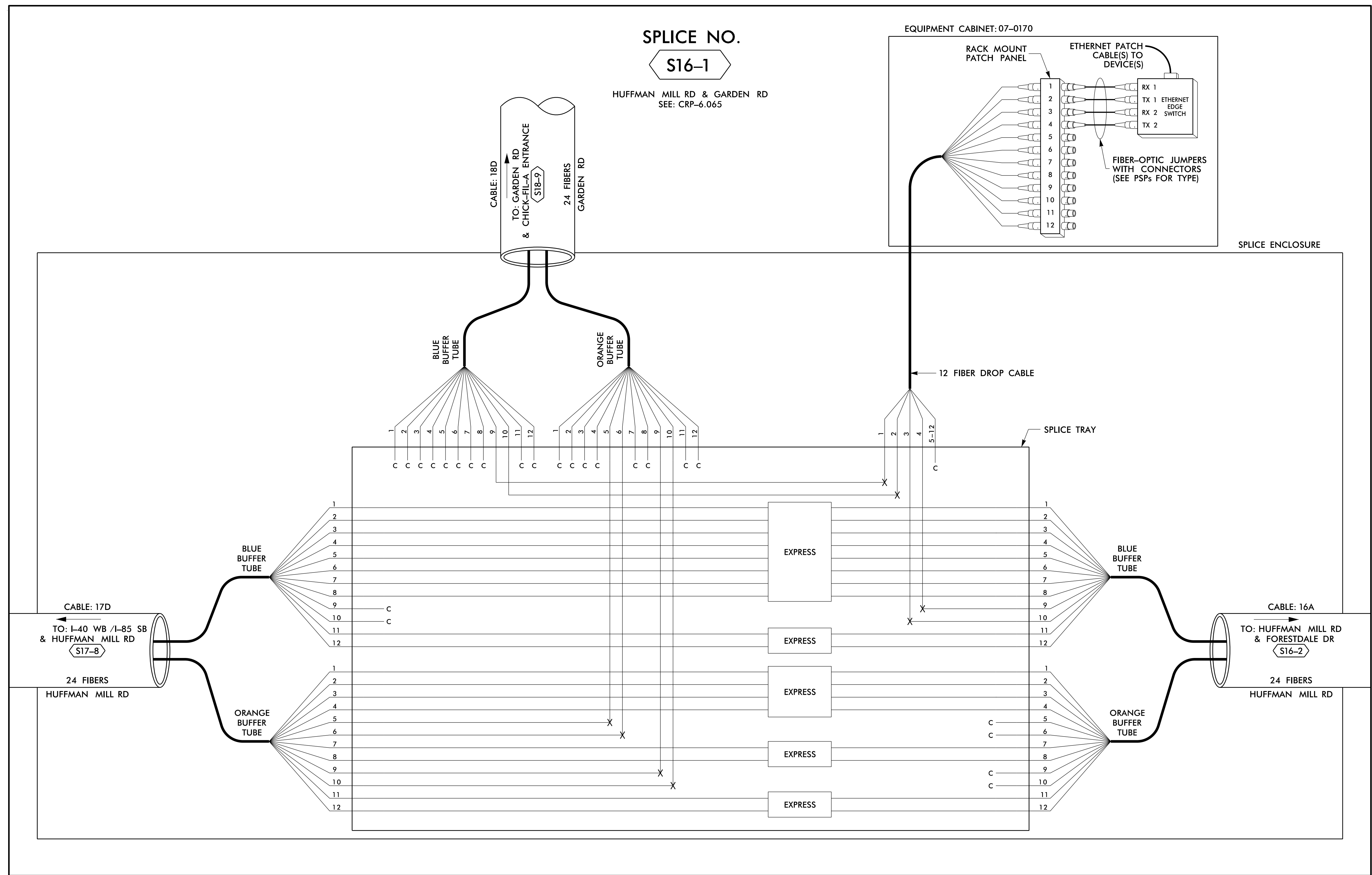
- UNUSED FIBERS LEFT COILED AND STORED IN SPLICE TRAY
- UNUSED BUFFER TUBES LEFT COILED AND STORED IN SPLICE ENCLOSURE
- EDGE SWITCH CONFIGURATIONS ARE GENERIC. CONTRACTOR IS RESPONSIBLE FOR DETERMINING/ENSURING THE PROPER TERMINATIONS.

ATKINS 1616 EAST MILLBROOK ROAD, SUITE 160
RALEIGH, NORTH CAROLINA 27609
(919) 876-6888 NCBEEs #F-0326

DOCUMENT NOT CONSIDERED FINAL UNLESS ALL SIGNATURES COMPLETED

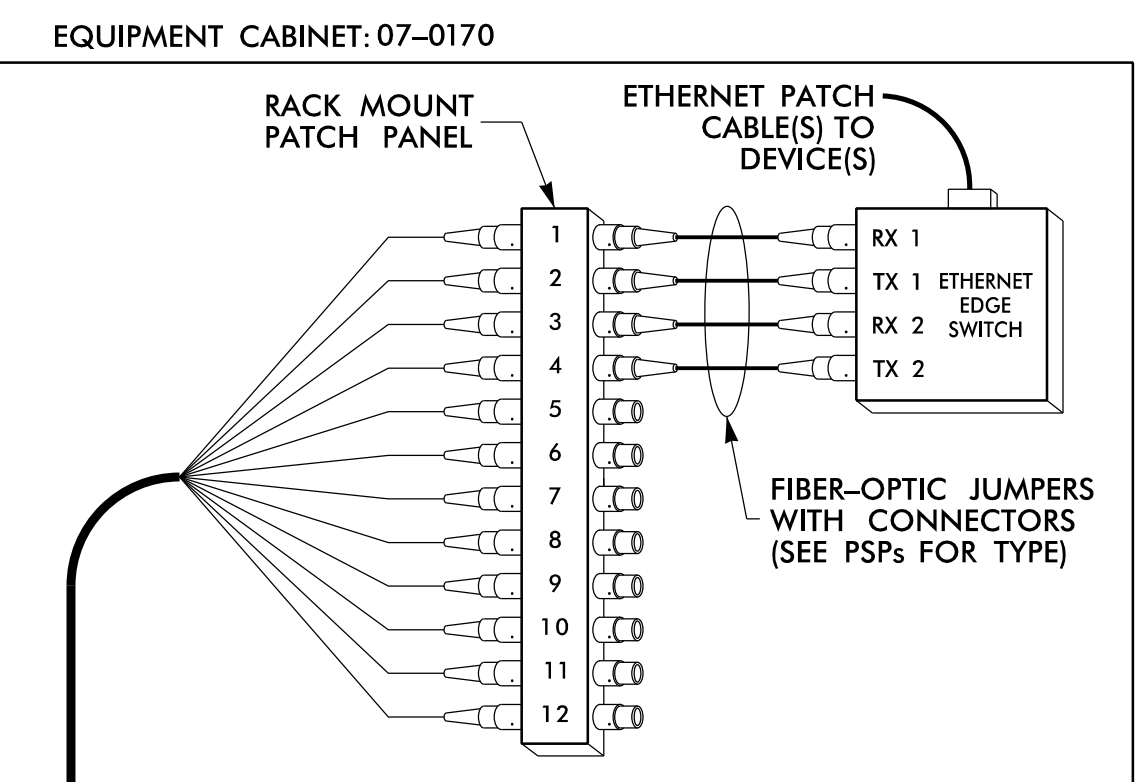
	Burlington-Graham Signal System Fiber-Optic Splicing Details			
	Division 7 Alamance County	Burlington & Graham		
	PLAN DATE: June 2018	REVIEWED BY: HA BADGETT		
	PREPARED BY: BJ SLOCUM	REVIEWED BY: DL JONES		
SCALE: N/A		REVISIONS	INIT. DATE	

DATE: 6/15/2018
CADD File name: FS 4.095.dgn



SPLICE NO.
S16-1

HUFFMAN MILL RD & GARDEN RD
SEE: CRP-6.065



EQUIPMENT CABINET: 07-0170

SPLICE ENCLOSURE

LEGEND

COLOR CODE TIA/EIA 598-B			
(1) BLUE	(7) RED	EXPRESS	EXPRESS ENTIRE BUFFER TUBE / FIBERS THROUGH WITHOUT CUTTING
(2) ORANGE	(8) BLACK	BUFFER SPLICE	SPLICE ALL FIBERS IN BUFFER TUBE COLOR TO COLOR
(3) GREEN	(9) YELLOW	EXISTING	EXISTING BUFFER TUBE / FIBERS DO NOT MODIFY EXISTING SPLICES OR EXPRESSED FIBERS.
(4) BROWN	(10) VIOLET		
(5) SLATE	(11) ROSE		
(6) WHITE	(12) AQUA		

X = FUSION SPLICE INDIVIDUAL FIBER
C = CAP AND SEAL

NOTES

- UNUSED FIBERS LEFT COILED AND STORED IN SPLICE TRAY
- UNUSED BUFFER TUBES LEFT COILED AND STORED IN SPLICE ENCLOSURE
- EDGE SWITCH CONFIGURATIONS ARE GENERIC. CONTRACTOR IS RESPONSIBLE FOR DETERMINING/ENSURING THE PROPER TERMINATIONS.

ATKINS 1616 EAST MILLBROOK ROAD, SUITE 160
RALEIGH, NORTH CAROLINA 27609
(919) 876-6888 NCBEES #F-0326

DOCUMENT NOT CONSIDERED FINAL
UNLESS ALL SIGNATURES COMPLETED

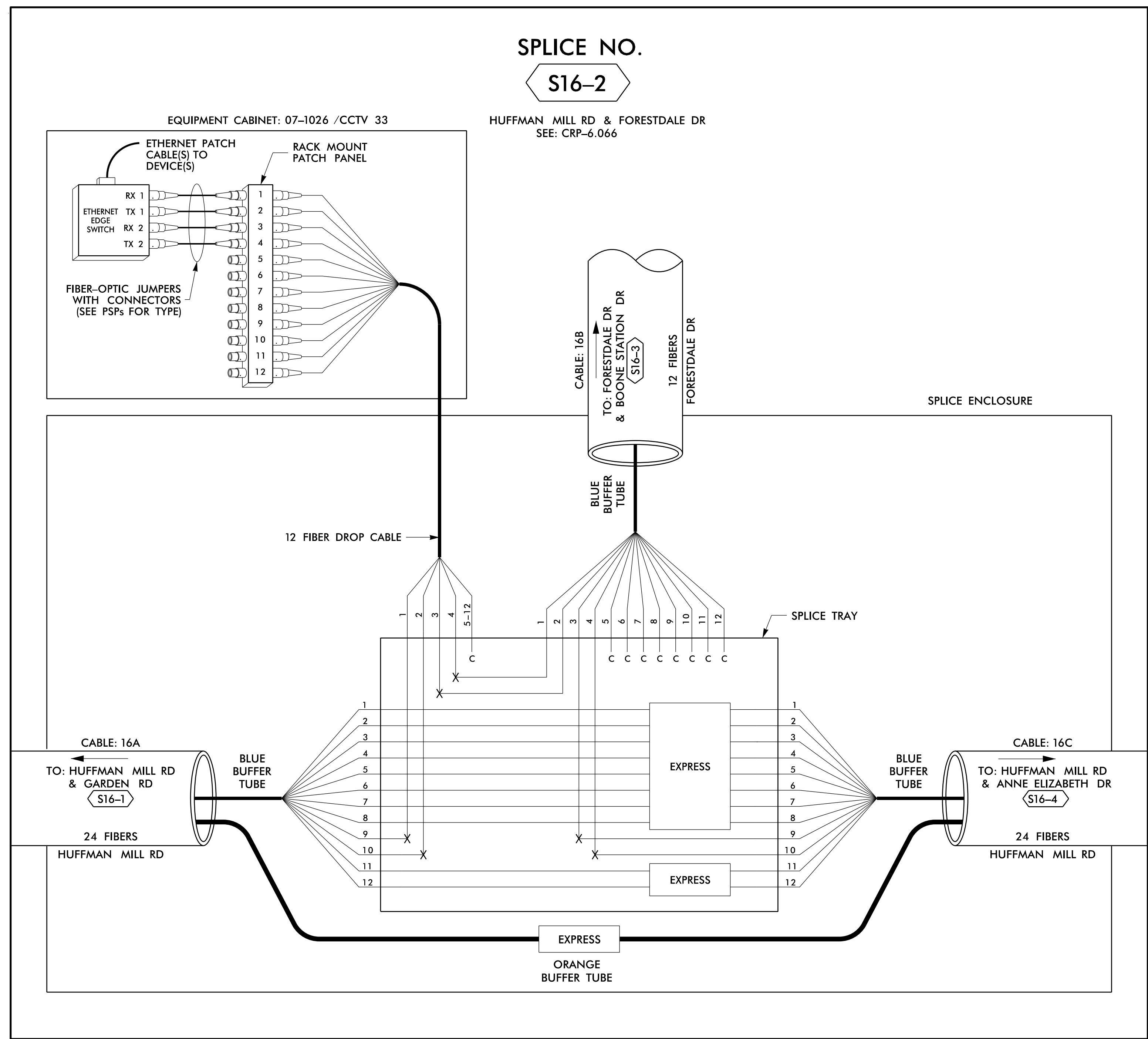
Prepared for the Offices of:

 750 Greenfield Parkway, Garner, NC 27529
 SCALE: N/A

Burlington-Graham Signal System Fiber-Optic Splicing Details		Burlington & Graham	
Division 7	Alamance County		
PLAN DATE: June 2018	REVIEWED BY: HA BADGETT		
PREPARED BY: BJ SLOCUM	REVIEWED BY: DL JONES		
REVISIONS	INIT.	DATE	

SEAL
 NORTH CAROLINA
 PROFESSIONAL
 SEAL
 040877
 ENGINEER
 Bradford J. Slocum
 15/2018
 DATE
 CADD File name: FS 4.096.dgn

14 JUN 2018 12:30
D:\projects\proj\100056469 U-6015 B-C Sig Sys\Task 11_Coms\F5 4.096.dgn
S:\03563 AT LUS355433



SPLICE NO.
S16-2

HUFFMAN MILL RD & FORESTDALE DR
 SEE: CRP-6.066

EQUIPMENT CABINET: 07-1026 /CCTV 33

LEGEND

COLOR CODE TIA/EIA 598-B		X = FUSION SPlice INDIVIDUAL FIBER THROUGH WITHOUT CUTTING C = CAP AND SEAL
(1) BLUE	(7) RED	EXPRESS
(2) ORANGE	(8) BLACK	EXPRESS ENTIRE BUFFER TUBE /FIBERS THROUGH WITHOUT CUTTING
(3) GREEN	(9) YELLOW	BUFFER SPlice
(4) BROWN	(10) VIOLET	SPlice ALL FIBERS IN BUFFER TUBE COLOR TO COLOR
(5) SLATE	(11) ROSE	EXISTING
(6) WHITE	(12) AQUA	EXISTING BUFFER TUBE /FIBERS. DO NOT MODIFY EXISTING SPlices OR EXPRESSED FIBERS.

NOTES

- UNUSED FIBERS LEFT COILED AND STORED IN SPLICE TRAY
- UNUSED BUFFER TUBES LEFT COILED AND STORED IN SPLICE ENCLOSURE
- EDGE SWITCH CONFIGURATIONS ARE GENERIC. CONTRACTOR IS RESPONSIBLE FOR DETERMINING/ENSURING THE PROPER TERMINATIONS.

ATKINS 1616 EAST MILLBROOK ROAD, SUITE 160
 RALEIGH, NORTH CAROLINA 27609
 (919) 876-6888 NCBEEES #F-0326

DOCUMENT NOT CONSIDERED FINAL UNLESS ALL SIGNATURES COMPLETED

Prepared for the Offices of:

 750 Greenfield Parkway, Garner, NC 27529
 SCALE: N/A

Burlington-Graham Signal System Fiber-Optic Splicing Details		Division 7 Alamance County Burlington & Graham
PLAN DATE: June 2018	REVIEWED BY: HA BADGETT	PREPARED BY: BJ SLOCUM
REVIEWED BY: DL JONES	DATE:	DATE:
REVISIONS	INIT.	DATE

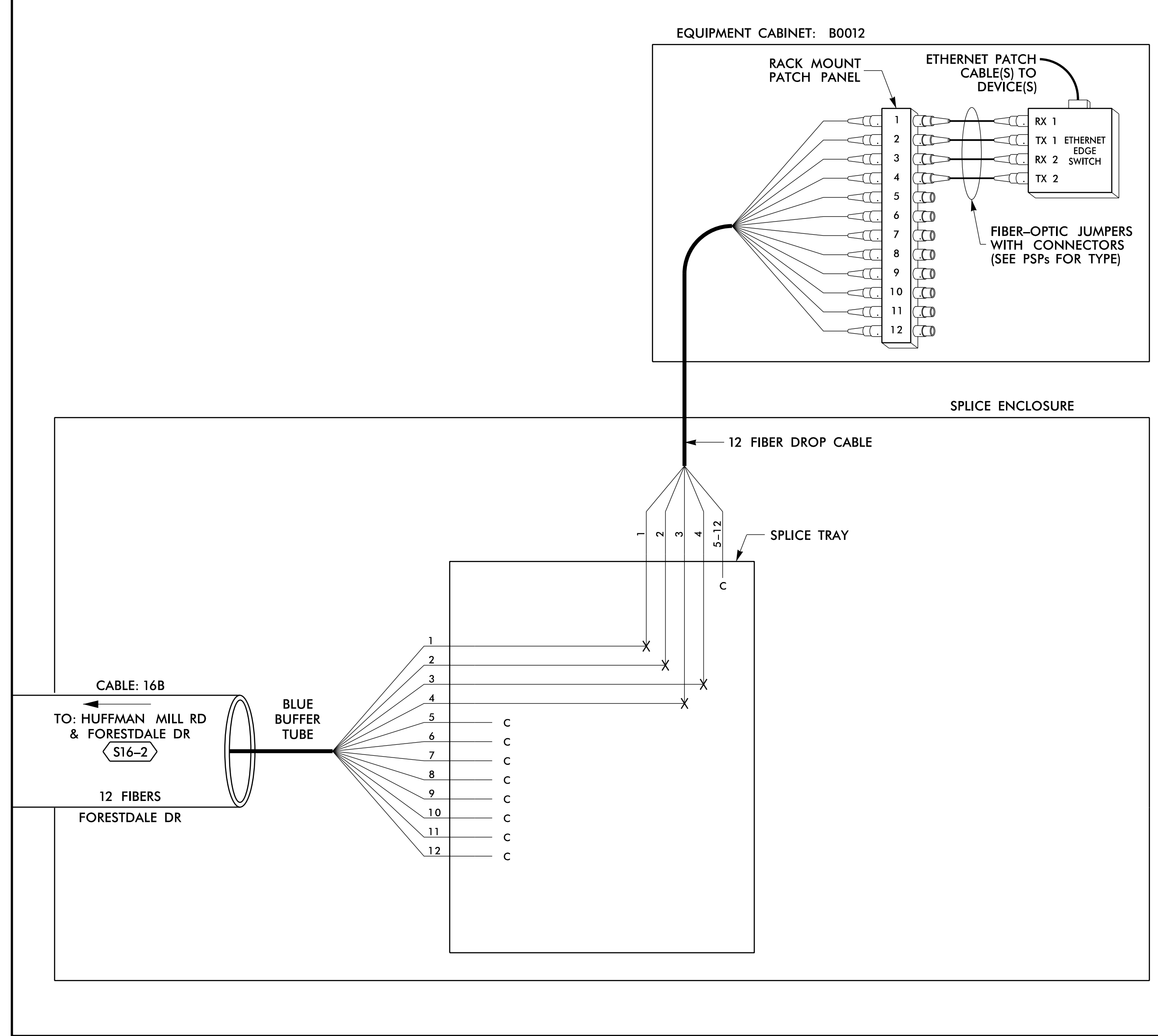
SEAL
 NORTH CAROLINA PROFESSIONAL ENGINEER
 SEAL 040877
 BRADFORD J. SLOCUM
 15/2018
 DATE
 CADD File name: FS 4.097.dgn

14 JUN 2018 12:30
 D:\projects\proj\100056469 U-6015 B-C Sig_Sys\Task 11_Comms\F5 4_097.dgn
 S:\DCS\653 AT_LUS355433

SPLICE NO.

S16-3

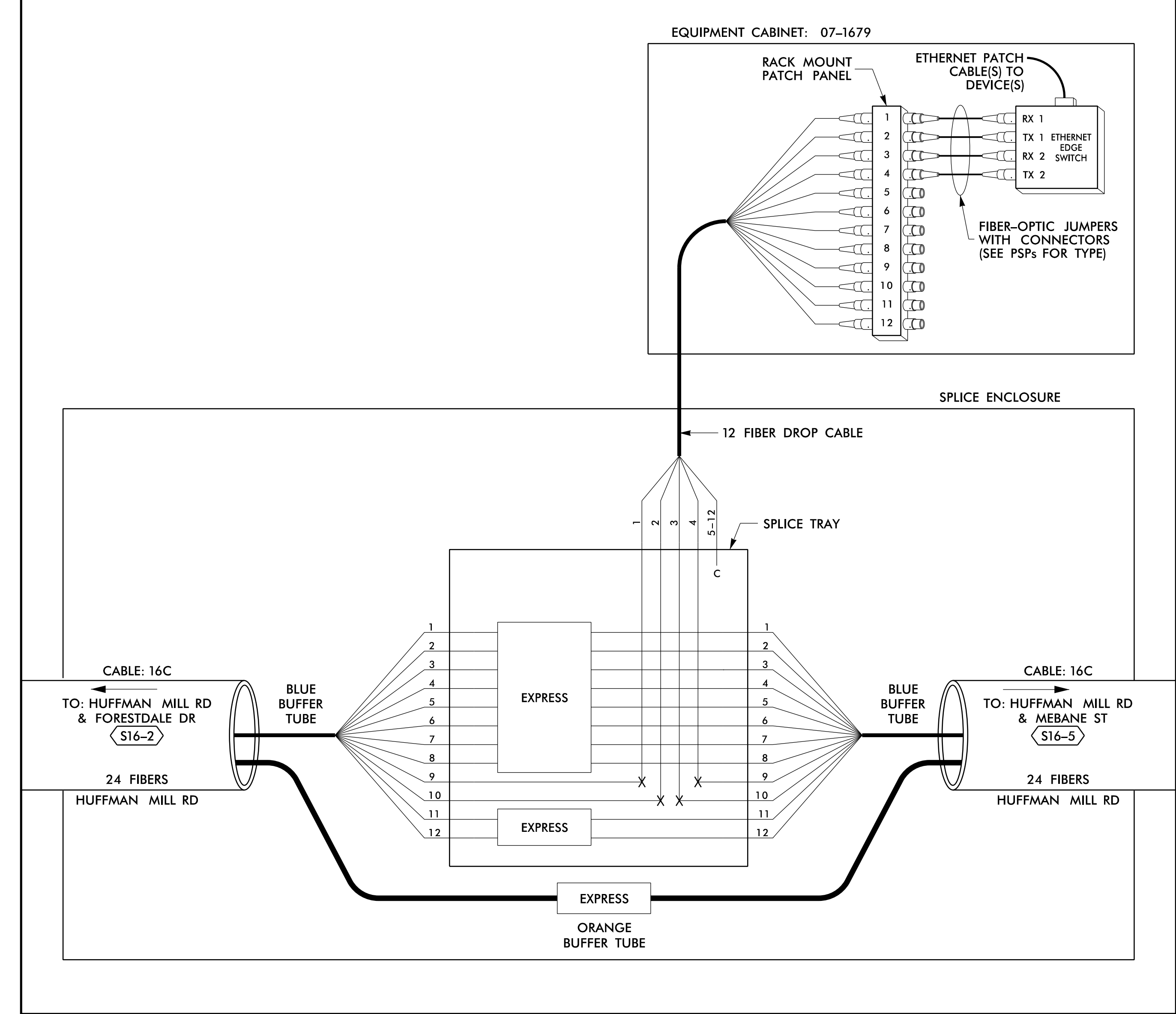
FORESDALE DR & BOONE STATION DR
SEE: CRP-6.071



SPLICE NO.

S16-4

HUFFMAN MILL RD & ANNE ELIZABETH DR
SEE: CRP-6.067



14 JUN 2018 12:30
 D:\projects\proj\11\comms\11_Coms\Fs_4_098.dgn
 S:\033633 AT_LUS355433

LEGEND

COLOR CODE TIA/EIA 598-B		X = FUSION SPlice INDIVIDUAL FIBER	EXPRESS	EXPRESS ENTIRE BUFFER TUBE / FIBERS THROUGH WITHOUT CUTTING
(1) BLUE	(7) RED	C = CAP AND SEAL	BUFFER SPlice	SPlice ALL FIBERS IN BUFFER TUBE COLOR TO COLOR
(2) ORANGE	(8) BLACK		EXISTING	EXISTING BUFFER TUBE / FIBERS DO NOT MODIFY EXISTING SPlices OR EXPRESSED FIBERS.
(3) GREEN	(9) YELLOW			
(4) BROWN	(10) VIOLET			
(5) SLATE	(11) ROSE			
(6) WHITE	(12) AQUA			

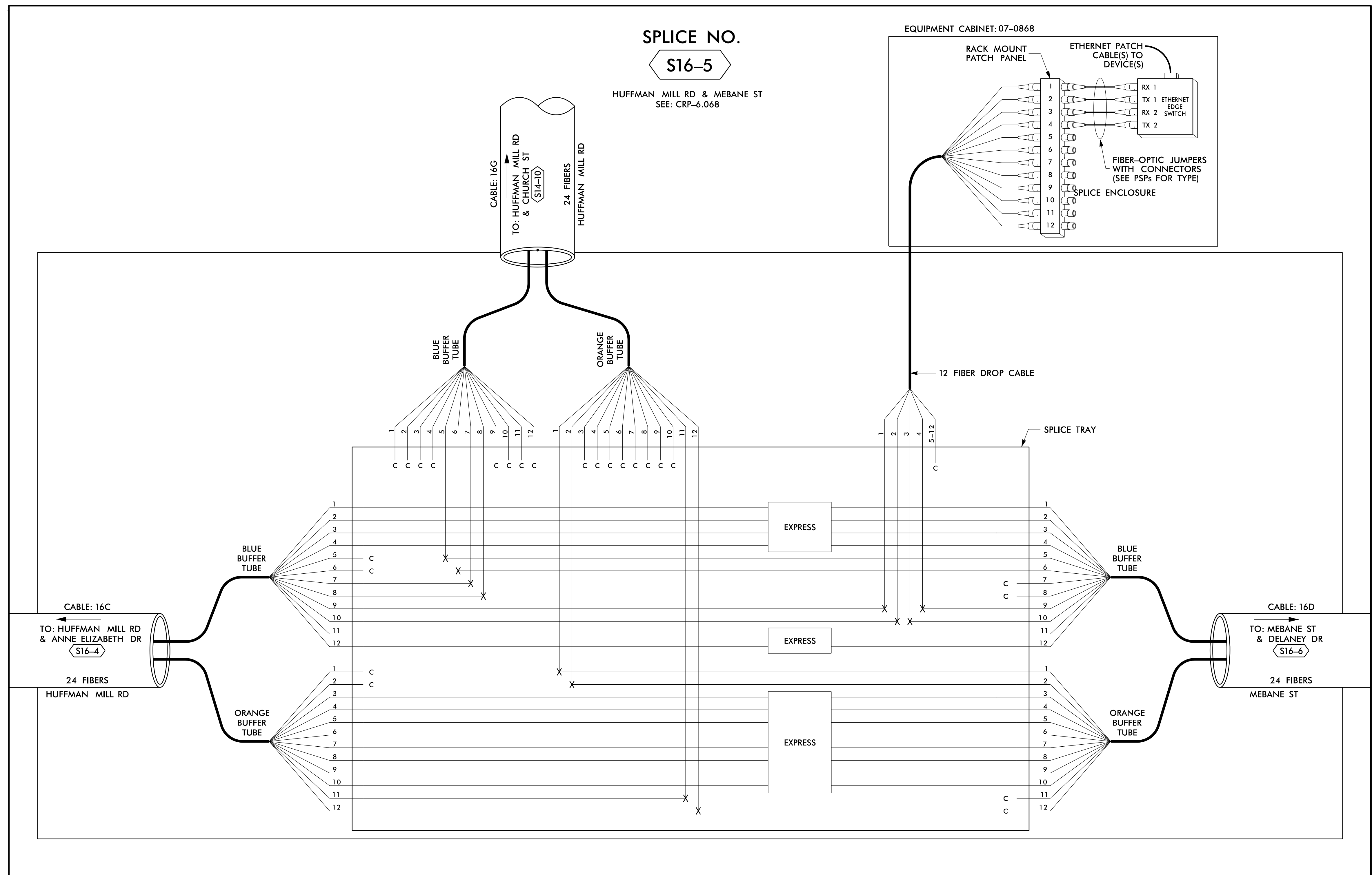
NOTES

- UNUSED FIBERS LEFT COILED AND STORED IN SPlice TRAY
- UNUSED BUFFER TUBES LEFT COILED AND STORED IN SPlice ENCLOSURE
- EDGE SWITCH CONFIGURATIONS ARE GENERIC. CONTRACTOR IS RESPONSIBLE FOR DETERMINING/ENSURING THE PROPER TERMINATIONS.

ATKINS 1616 EAST MILLBROOK ROAD, SUITE 160
RALEIGH, NORTH CAROLINA 27609
(919) 876-6888 NCBEE# F-0326

DOCUMENT NOT CONSIDERED FINAL UNLESS ALL SIGNATURES COMPLETED

<p>750 Greenfield Parkway, Garner, NC 27529</p>	<p>Burlington-Graham Signal System Fiber-Optic Splicing Details</p>							
	<p>Division 7 Alamance County Burlington & Graham</p>	<p>PLAN DATE: June 2018 REVIEWED BY: HA BADGETT</p>		<p>PREPARED BY: BJ SLOCUM REVIEWED BY: DL JONES</p>				
<p>SCALE: N/A</p>	<table border="1"> <tr> <th>REVISIONS</th> <th>INIT.</th> <th>DATE</th> </tr> <tr> <td> </td> <td> </td> <td> </td> </tr> </table>	REVISIONS	INIT.	DATE				<p>DATE: 15/2018</p>
REVISIONS	INIT.	DATE						



14 JUN 2018 12:30
 D:\projects\proj\100056469 U-6015 B-C Sig Sys\Task 11_Coms#FS 4.099.dgn
 S:\033653 AT LUS355433

LEGEND

COLOR CODE TIA/EIA 598-B	X = FUSION SPLICE INDIVIDUAL FIBER
(1) BLUE (7) RED	C = CAP AND SEAL
(2) ORANGE (8) BLACK	
(3) GREEN (9) YELLOW	EXPRESS EXPRESS ENTIRE BUFFER TUBE / FIBERS THROUGH WITHOUT CUTTING
(4) BROWN (10) VIOLET	BUFFER SPLICE SPLICE ALL FIBERS IN BUFFER TUBE COLOR TO COLOR
(5) SLATE (11) ROSE	EXISTING EXISTING BUFFER TUBE / FIBERS DO NOT MODIFY EXISTING SPLICES OR EXPRESSED FIBERS.
(6) WHITE (12) AQUA	

- NOTES**
- UNUSED FIBERS LEFT COILED AND STORED IN SPLICE TRAY
 - UNUSED BUFFER TUBES LEFT COILED AND STORED IN SPLICE ENCLOSURE
 - EDGE SWITCH CONFIGURATIONS ARE GENERIC. CONTRACTOR IS RESPONSIBLE FOR DETERMINING/ENSURING THE PROPER TERMINATIONS.

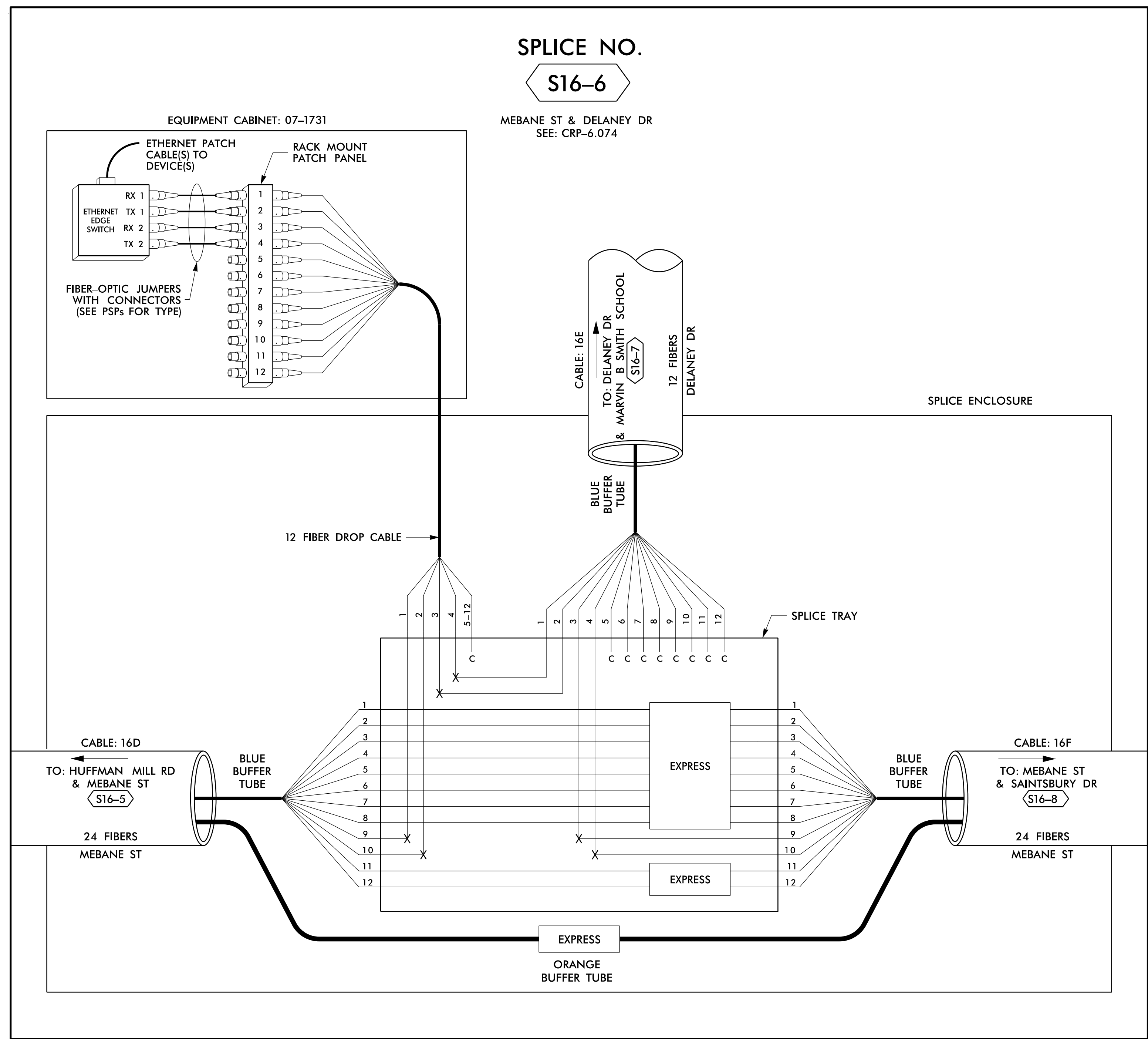
ATKINS 1616 EAST MILLBROOK ROAD, SUITE 160
 RALEIGH, NORTH CAROLINA 27609
 (919) 876-6888 NCBEES #F-0326

DOCUMENT NOT CONSIDERED FINAL UNLESS ALL SIGNATURES COMPLETED

	Burlington-Graham Signal System Fiber-Optic Splicing Details		
	Division 7 Alamance County PLAN DATE: June 2018 PREPARED BY: BJ SLOCUM	Burlington & Graham REVIEWED BY: HA BADGETT REVIEWED BY: DL JONES	

750 Greenfield Parkway, Garner, NC 27529

15/2018
 CAD0 File name: FS 4.099.dgn



SPLICE NO.
S16-6

MEBANE ST & DELANEY DR
SEE: CRP-6.074

EQUIPMENT CABINET: 07-1731

SPLICE ENCLOSURE

12 FIBER DROP CABLE

SPLICE TRAY

CABLE: 16D

TO: HUFFMAN MILL RD & MEBANE ST
S16-5

24 FIBERS
MEBANE ST

BLUE BUFFER TUBE

EXPRESS

BLUE BUFFER TUBE

CABLE: 16F

TO: MEBANE ST & SAINTSBURY DR
S16-8

24 FIBERS
MEBANE ST

EXPRESS
ORANGE BUFFER TUBE

LEGEND

COLOR CODE TIA/EIA 598-B		X = FUSION SPlice INDIVIDUAL FIBER THROUGH WITHOUT CUTTING
(1) BLUE	(7) RED	EXPRESS
(2) ORANGE	(8) BLACK	EXPRESS ENTIRE BUFFER TUBE / FIBERS THROUGH WITHOUT CUTTING
(3) GREEN	(9) YELLOW	BUFFER SPlice
(4) BROWN	(10) VIOLET	SPlice ALL FIBERS IN BUFFER TUBE COLOR TO COLOR
(5) SLATE	(11) ROSE	EXISTING
(6) WHITE	(12) AQUA	EXISTING BUFFER TUBE / FIBERS. DO NOT MODIFY EXISTING SPlices OR EXPRESSED FIBERS.


NOTES

- UNUSED FIBERS LEFT COILED AND STORED IN SPLICE TRAY
- UNUSED BUFFER TUBES LEFT COILED AND STORED IN SPLICE ENCLOSURE
- EDGE SWITCH CONFIGURATIONS ARE GENERIC. CONTRACTOR IS RESPONSIBLE FOR DETERMINING/ENSURING THE PROPER TERMINATIONS.

ATKINS

1616 EAST MILLBROOK ROAD, SUITE 160
RALEIGH, NORTH CAROLINA 27609
(919) 876-6888 NCBEE# F-0326

DOCUMENT NOT CONSIDERED FINAL
UNLESS ALL SIGNATURES COMPLETED

Prepared for the Offices of:

 750 Greenfield Parkway, Garner, NC 27529
 SCALE: N/A

Burlington-Graham Signal System Fiber-Optic Splicing Details		Burlington & Graham	
Division 7	Alamance County		
PLAN DATE: June 2018	REVIEWED BY: HA BADGETT		
PREPARED BY: BJ SLOCUM	REVIEWED BY: DL JONES		
REVISIONS	INIT.	DATE	

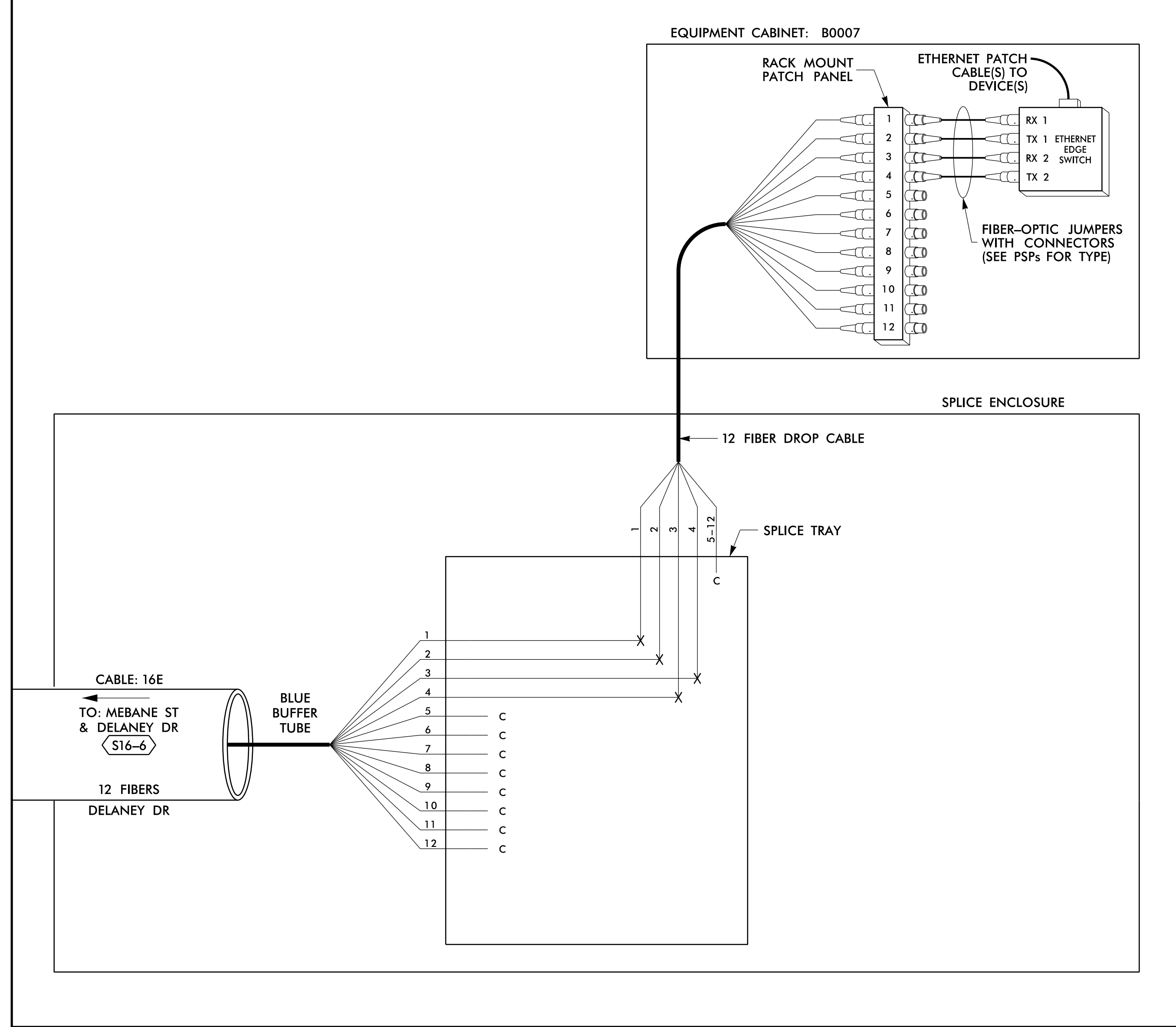
SEAL
 NORTH CAROLINA
 PROFESSIONAL
 SEAL
 040877
 ENGINEER
 Bradford J. Slocum
 15/2018
 DATE
 CADD File name: FS 4.100.dgn

14 JUN 2018 12:30
 D:\projects\proj\10066469 U-6015 B-C Sig_Sys\Task 11_Comms\F_S 4_100.dgn
 S:\DCS\653 AT_LUS355433

SPLICE NO.

S16-7

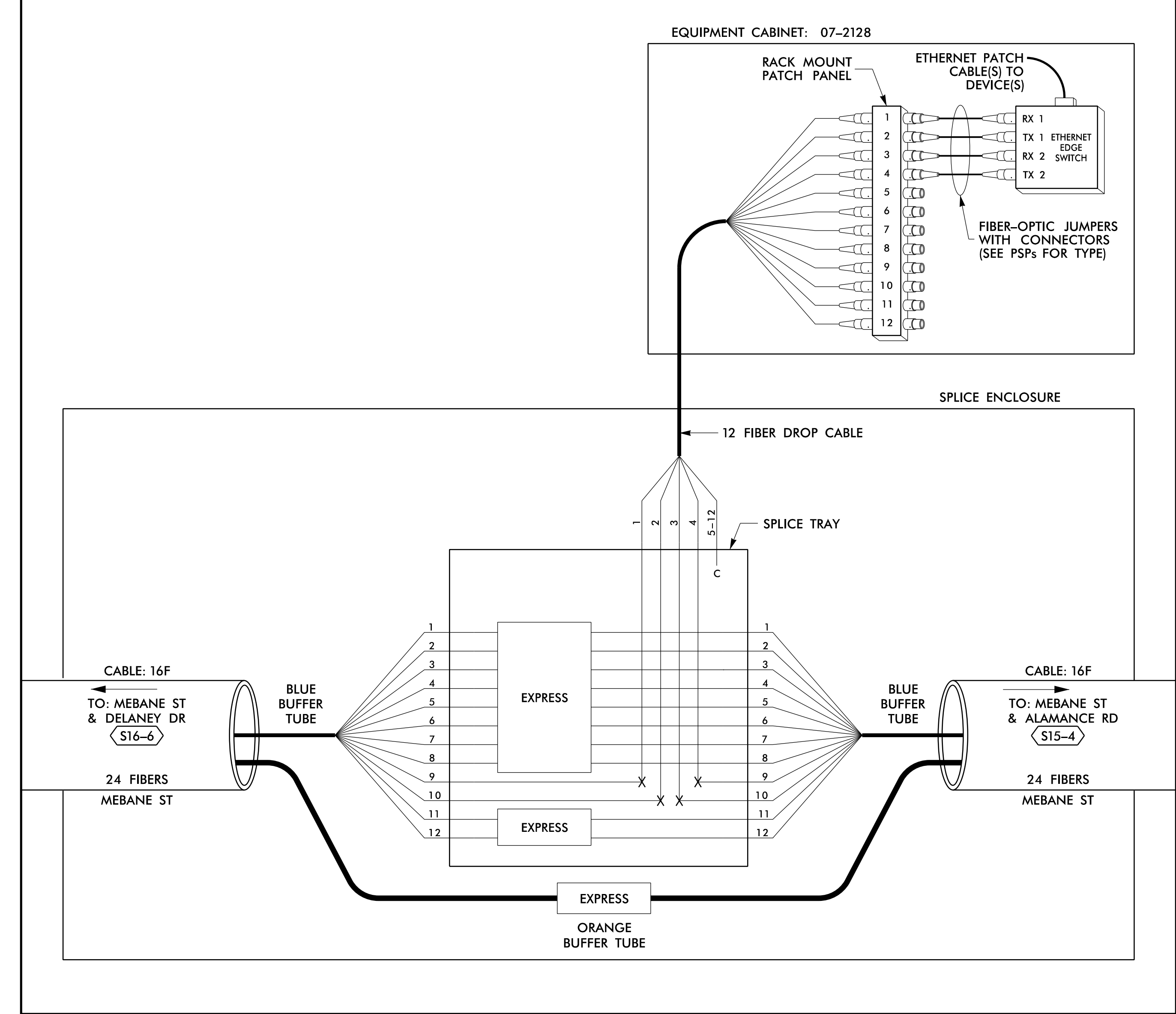
DELANEY DR & MARVIN B
SMITH SCHOOL
SEE: CRP-6.144



SPLICE NO.

S16-8

MEBANE ST & SAINTSBURY DR
SEE: CRP-6.077



14 JUN 2018 12:30
 D:\projects\proj\100056469 U-6015 B-C Sig Sys\Task 11_Coms#FS 4.101.dgn
 SLOCS363 AT LUS355433

LEGEND

COLOR CODE TIA/EIA 598-B		X = FUSION SPlice INDIVIDUAL FIBER	EXPRESS	EXPRESS ENTIRE BUFFER TUBE / FIBERS THROUGH WITHOUT CUTTING
(1) BLUE	(7) RED	C = CAP AND SEAL	BUFFER SPlice	SPlice ALL FIBERS IN BUFFER TUBE COLOR TO COLOR
(2) ORANGE	(8) BLACK		EXISTING	EXISTING BUFFER TUBE / FIBERS DO NOT MODIFY EXISTING SPlices OR EXPRESSED FIBERS.
(3) GREEN	(9) YELLOW			
(4) BROWN	(10) VIOLET			
(5) SLATE	(11) ROSE			
(6) WHITE	(12) AQUA			

NOTES

- UNUSED FIBERS LEFT COILED AND STORED IN SPLICE TRAY
- UNUSED BUFFER TUBES LEFT COILED AND STORED IN SPLICE ENCLOSURE
- EDGE SWITCH CONFIGURATIONS ARE GENERIC. CONTRACTOR IS RESPONSIBLE FOR DETERMINING/ENSURING THE PROPER TERMINATIONS.

ATKINS 1616 EAST MILLBROOK ROAD, SUITE 160
RALEIGH, NORTH CAROLINA 27609
(919) 876-6888 NCBES #F-0326

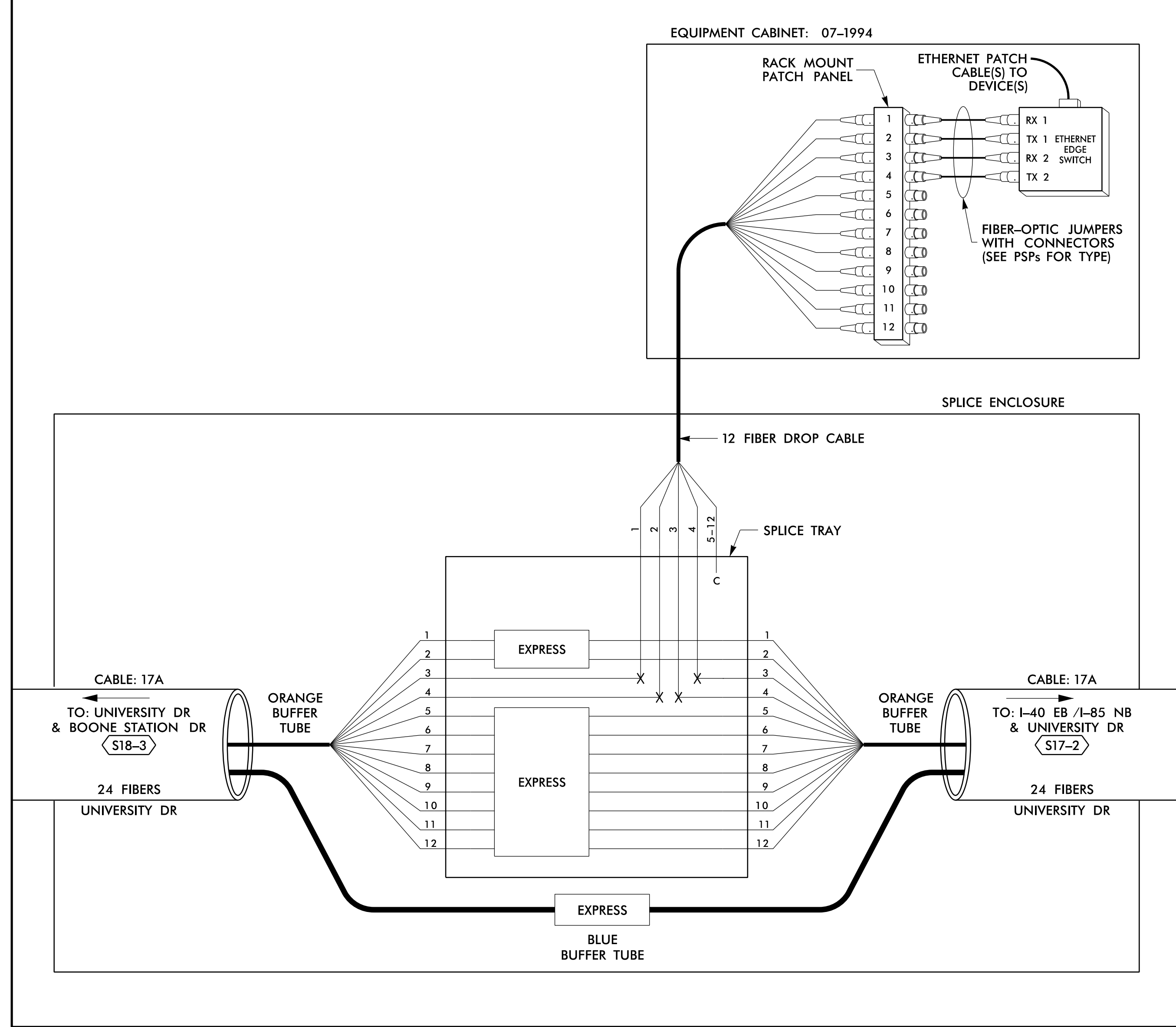
DOCUMENT NOT CONSIDERED FINAL UNLESS ALL SIGNATURES COMPLETED

<p>750 Greenfield Parkway, Garner, NC 27529</p>	<p>Burlington-Graham Signal System Fiber-Optic Splicing Details</p>		
	<p>Division 7 Alamance County</p>	<p>Burlington & Graham</p>	
<p>SCALE: N/A</p>	<p>PLAN DATE: June 2018</p>	<p>REVIEWED BY: HA BADGETT</p>	<p>DATE: 6/15/2018</p>
<p>PREPARED BY: BJ SLOCUM</p>	<p>REVISIONS</p>	<p>REVIEWED BY: DL JONES</p>	<p>DATE</p>

SPLICE NO.

S17-1

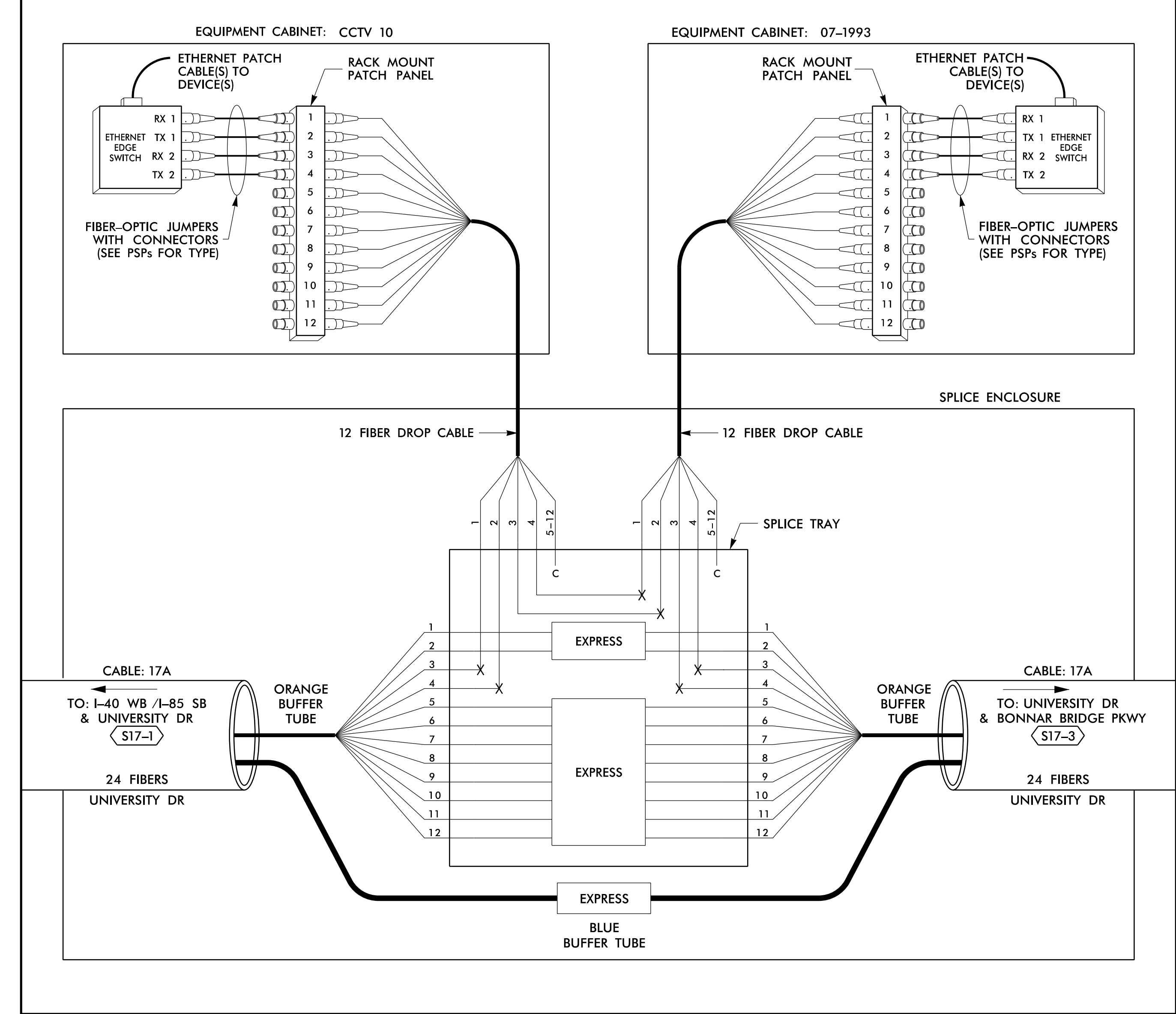
I-40 WB /I-85 SB &
UNIVERSITY DR
SEE: CRP-6.051



SPLICE NO.

S17-2

I-40 EB /I-85 NB &
UNIVERSITY DR
SEE: CRP-6.051



14 JUN 2018 12:30
 D:\projects\proj\100056469 U-6015 B-C Sig Sys\Task 11_Comm\F4_102.dgn
 S:\03563 AT_LUS355433

LEGEND

COLOR CODE TIA/EIA 598-B		X = FUSION SPLICE INDIVIDUAL FIBER C = CAP AND SEAL
(1) BLUE	(7) RED	EXPRESS
(2) ORANGE	(8) BLACK	EXPRESS ENTIRE BUFFER TUBE / FIBERS THROUGH WITHOUT CUTTING
(3) GREEN	(9) YELLOW	BUFFER SPLICE
(4) BROWN	(10) VIOLET	SPLICE ALL FIBERS IN BUFFER TUBE COLOR TO COLOR
(5) SLATE	(11) ROSE	EXISTING
(6) WHITE	(12) AQUA	EXISTING BUFFER TUBE / FIBERS DO NOT MODIFY EXISTING SPLICES OR EXPRESSED FIBERS.

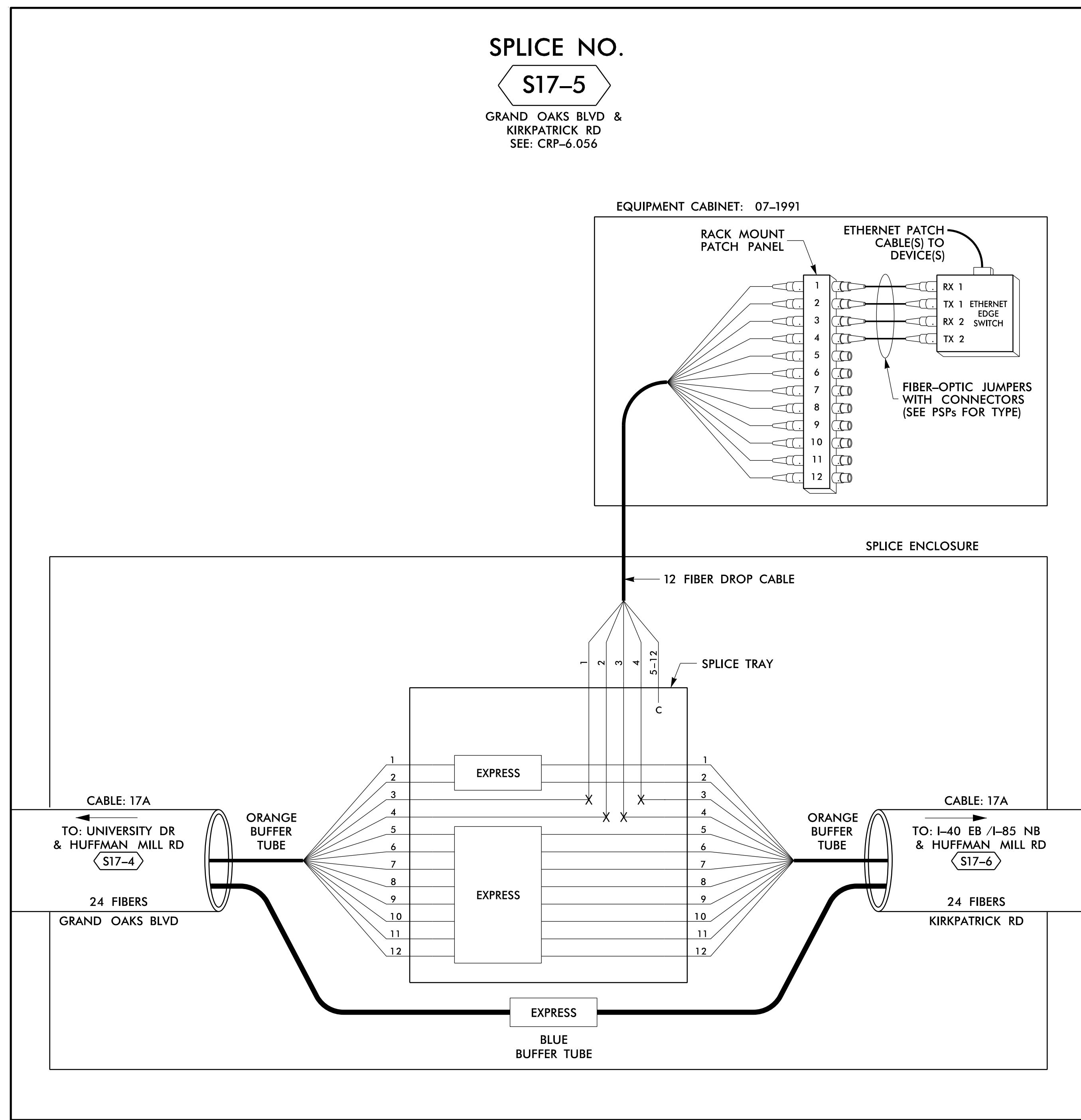
NOTES

- UNUSED FIBERS LEFT COILED AND STORED IN SPLICE TRAY
- UNUSED BUFFER TUBES LEFT COILED AND STORED IN SPLICE ENCLOSURE
- EDGE SWITCH CONFIGURATIONS ARE GENERIC. CONTRACTOR IS RESPONSIBLE FOR DETERMINING/ENSURING THE PROPER TERMINATIONS.

ATKINS 1616 EAST MILLBROOK ROAD, SUITE 160
 RALEIGH, NORTH CAROLINA 27609
 (919) 876-6888 NCBEEES #F-0326

Prepared for the Offices of: 750 Greenfield Parkway, Garner, NC 27529 SCALE: N/A	Burlington-Graham Signal System Fiber-Optic Splicing Details		SEAL NORTH CAROLINA PROFESSIONAL ENGINEER SEAL 040877 BRADFORD J. SLOCUM 15/2018 DATE
	Division 7 Alamance County PLAN DATE: June 2018	Burlington & Graham REVIEWED BY: HA BADGETT	
	PREPARED BY: BJ SLOCUM	REVIEWED BY: DL JONES	
	REVISIONS	INIT. DATE	

DOCUMENT NOT CONSIDERED FINAL UNLESS ALL SIGNATURES COMPLETED



14-JUN-2018 12:30
 D:\Technical\proj\100056469 U-6015 B-C Sig Sys\Task 11_Coms\F4_104.dgn
 S:\DCS\653 AT_LUS355433

LEGEND

COLOR CODE TIA/EIA 598-B		X = FUSION SPlice INDIVIDUAL FIBER C = CAP AND SEAL
(1) BLUE	(7) RED	EXPRESS
(2) ORANGE	(8) BLACK	EXPRESS ENTIRE BUFFER TUBE / FIBERS THROUGH WITHOUT CUTTING
(3) GREEN	(9) YELLOW	BUFFER SPlice
(4) BROWN	(10) VIOLET	SPlice ALL FIBERS IN BUFFER TUBE COLOR TO COLOR
(5) SLATE	(11) ROSE	EXISTING
(6) WHITE	(12) AQUA	EXISTING BUFFER TUBE / FIBERS. DO NOT MODIFY EXISTING SPlices OR EXPRESSED FIBERS.

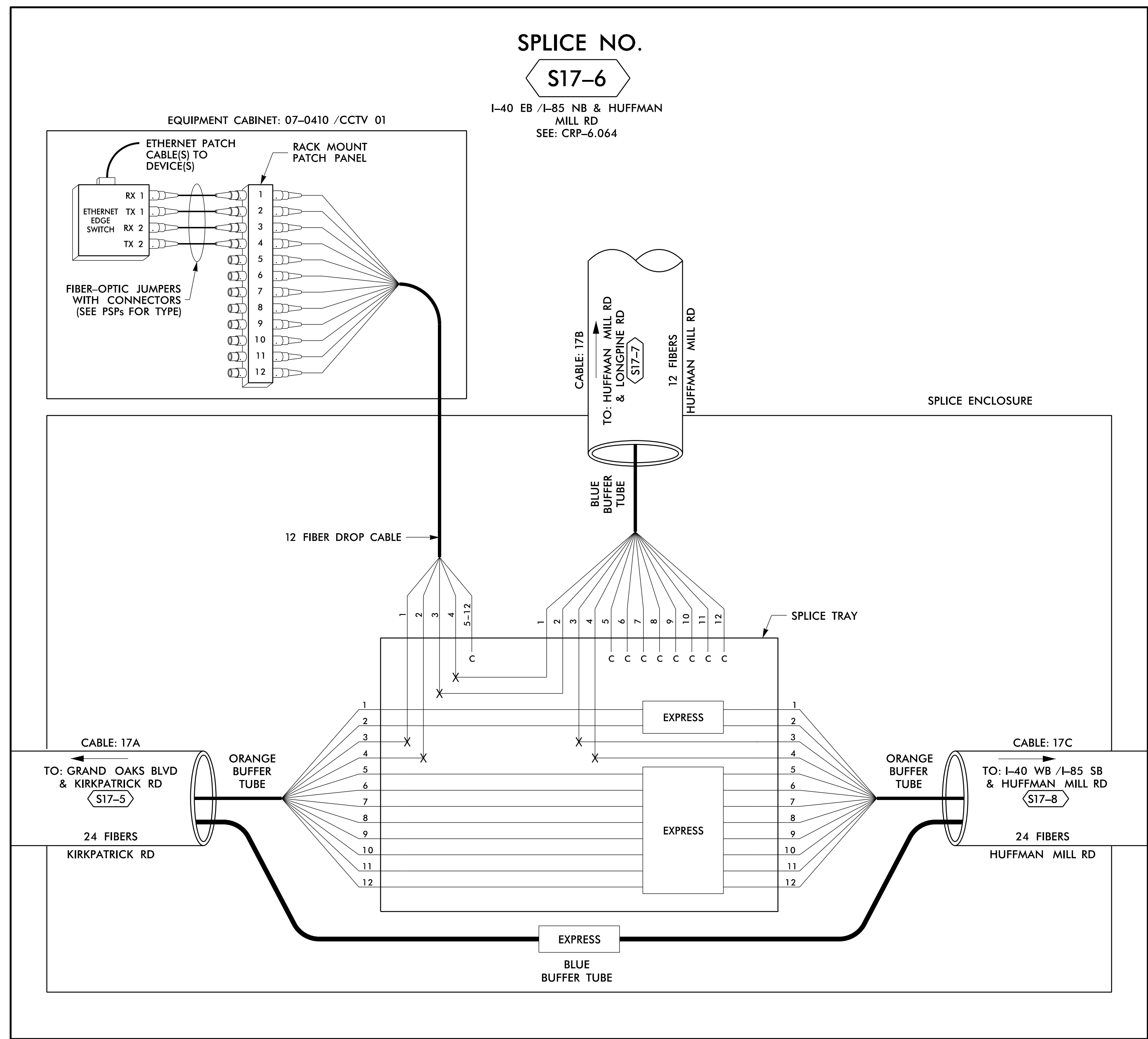
NOTES

- UNUSED FIBERS LEFT COILED AND STORED IN SPLICE TRAY
- UNUSED BUFFER TUBES LEFT COILED AND STORED IN SPLICE ENCLOSURE
- EDGE SWITCH CONFIGURATIONS ARE GENERIC. CONTRACTOR IS RESPONSIBLE FOR DETERMINING/ENSURING THE PROPER TERMINATIONS.

ATKINS 1616 EAST MILLBROOK ROAD, SUITE 160
 RALEIGH, NORTH CAROLINA 27609
 (919) 876-6888 NCBEEES #F-0326

Prepared for the Offices of: 750 Greenfield Parkway, Garner, NC 27529	Burlington-Graham Signal System Fiber-Optic Splicing Details		SEAL NORTH CAROLINA PROFESSIONAL SEAL 040877 ENGINEER BRADFORD J. SLOCUM 15/2018
	Division 7 Alamance County PLAN DATE: June 2018 PREPARED BY: BJ SLOCUM	Burlington & Graham REVIEWED BY: HA BADGETT REVIEWED BY: DL JONES	
REVISIONS INIT. DATE			

DOCUMENT NOT CONSIDERED FINAL
UNLESS ALL SIGNATURES COMPLETED



14 JUN 2018 12:31
 D:\projects\proj\100056469 U-6015 B-C Sig Sys\Task 11_Coms\F4_105.dgn
 S:\DCS\653 AT_LUS355433

COLOR CODE		LEGEND	
(1) BLUE	(7) RED	EXPRESS	EXPRESS ENTIRE BUFFER TUBE / FIBERS THROUGH WITHOUT CUTTING
(2) ORANGE	(8) BLACK	BUFFER SPlice	SPLICE ALL FIBERS IN BUFFER TUBE COLOR TO COLOR
(3) GREEN	(9) YELLOW	EXISTING	EXISTING BUFFER TUBE / FIBERS DO NOT MODIFY EXISTING SPLICES OR EXPRESSED FIBERS.
(4) BROWN	(10) VIOLET		
(5) SLATE	(11) ROSE		
(6) WHITE	(12) AQUA		

- NOTES**
- UNUSED FIBERS LEFT COILED AND STORED IN SPLICE TRAY
 - UNUSED BUFFER TUBES LEFT COILED AND STORED IN SPLICE ENCLOSURE
 - EDGE SWITCH CONFIGURATIONS ARE GENERIC. CONTRACTOR IS RESPONSIBLE FOR DETERMINING/ENSURING THE PROPER TERMINATIONS.

750 Greenfield Parkway, Garner, NC 27529

1616 EAST MILLBROOK ROAD, SUITE 160
RALEIGH, NORTH CAROLINA 27609
(919) 876-6888 NCBES #F-0326

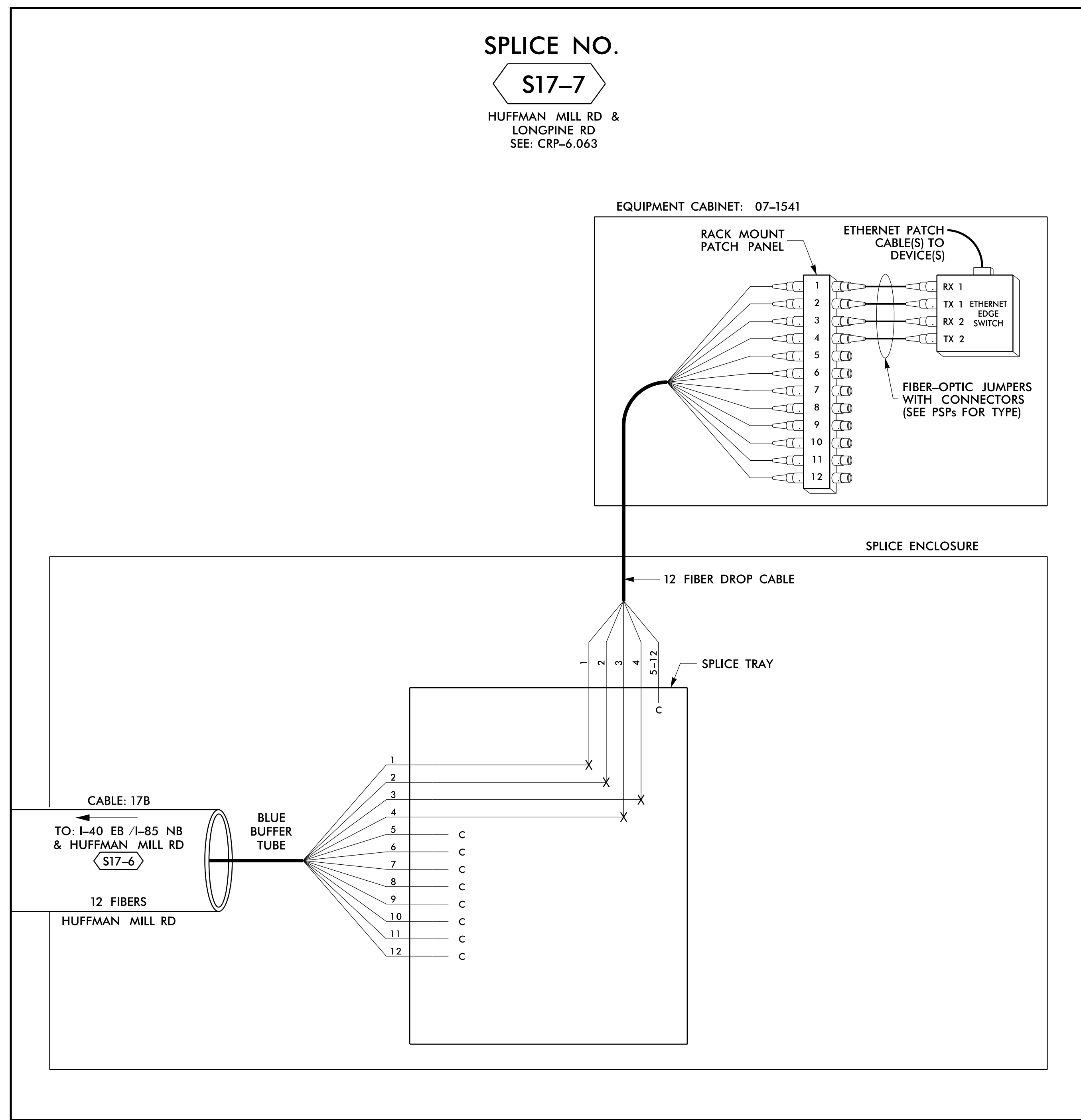
**DOCUMENT NOT CONSIDERED FINAL
UNLESS ALL SIGNATURES COMPLETED**

ATKINS		Seal: NORTH CAROLINA PROFESSIONAL ENGINEER SEAL 040877	
Burlington-Graham Signal System Fiber-Optic Splicing Details			
Division 7 Alamance County		Burlington & Graham	
PLAN DATE: June 2018	REVIEWED BY: HA BADGETT		
PREPARED BY: BJ SLOCUM	REVIEWED BY: DL JONES		
SCALE: N/A	REVISIONS	INIT.	DATE

SPLICE NO.

S17-7

HUFFMAN MILL RD &
LONGPINE RD
SEE: CRP-6.063



LEGEND

COLOR CODE TIA/EIA 598-B		X = FUSION SPlice INDIVIDUAL FIBER	
(1) BLUE	(7) RED	EXPRESS	EXPRESS ENTIRE BUFFER TUBE / FIBERS THROUGH WITHOUT CUTTING
(2) ORANGE	(8) BLACK	BUFFER SPlice	SPlice ALL FIBERS IN BUFFER TUBE COLOR TO COLOR
(3) GREEN	(9) YELLOW	EXISTING	EXISTING BUFFER TUBE / FIBERS DO NOT MODIFY EXISTING SPlices OR EXPRESSED FIBERS.
(4) BROWN	(10) VIOLET		
(5) SLATE	(11) ROSE		
(6) WHITE	(12) AQUA		
		C = CAP AND SEAL	

NOTES

- UNUSED FIBERS LEFT COILED AND STORED IN SPLICE TRAY
- UNUSED BUFFER TUBES LEFT COILED AND STORED IN SPLICE ENCLOSURE
- EDGE SWITCH CONFIGURATIONS ARE GENERIC. CONTRACTOR IS RESPONSIBLE FOR DETERMINING/ENSURING THE PROPER TERMINATIONS.

ATKINS 1616 EAST MILLBROOK ROAD, SUITE 160
RALEIGH, NORTH CAROLINA 27609
(919) 876-6888 NCBEEES #F-0326

DOCUMENT NOT CONSIDERED FINAL UNLESS ALL SIGNATURES COMPLETED

	Burlington-Graham Signal System Fiber-Optic Splicing Details		
	Division 7 Alamance County	Burlington & Graham	
PLAN DATE: June 2018	REVIEWED BY: HA BADGETT	PREPARED BY: BJ SLOCUM	REVIEWED BY: DL JONES
SCALE: N/A	REVISIONS	INIT.	DATE
CAD0 File name: FS 4.106.dgn			

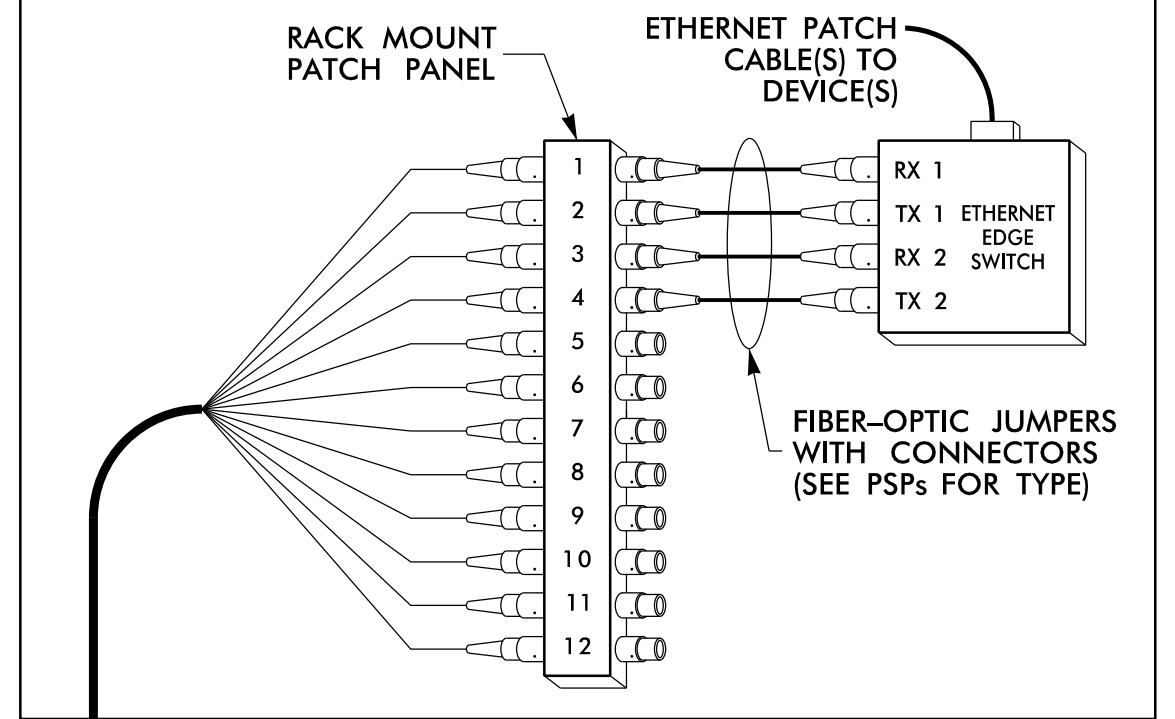
14 JUN 2018 12:31
 D:\Technical\Projects\U-6015 B-C Sig. Sys\Task 11_Comms\F S 4.106.dgn
 S:\DCS\653 AT_LUS355433

SPLICE NO.

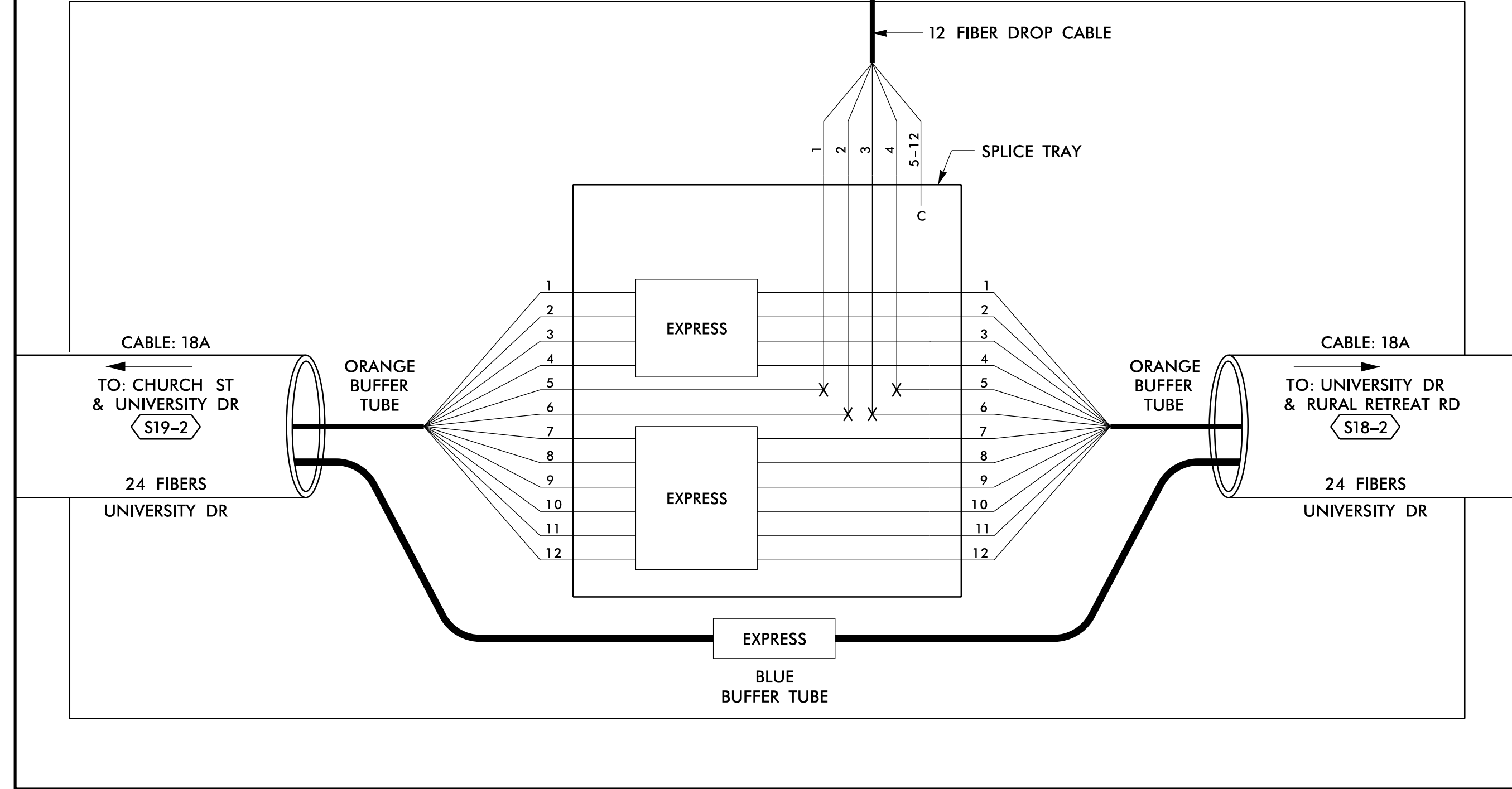
S18-1

UNIVERSITY DR & SHOPPING CENTER
SEE: CRP-6.047

EQUIPMENT CABINET: 07-2115



SPLICE ENCLOSURE

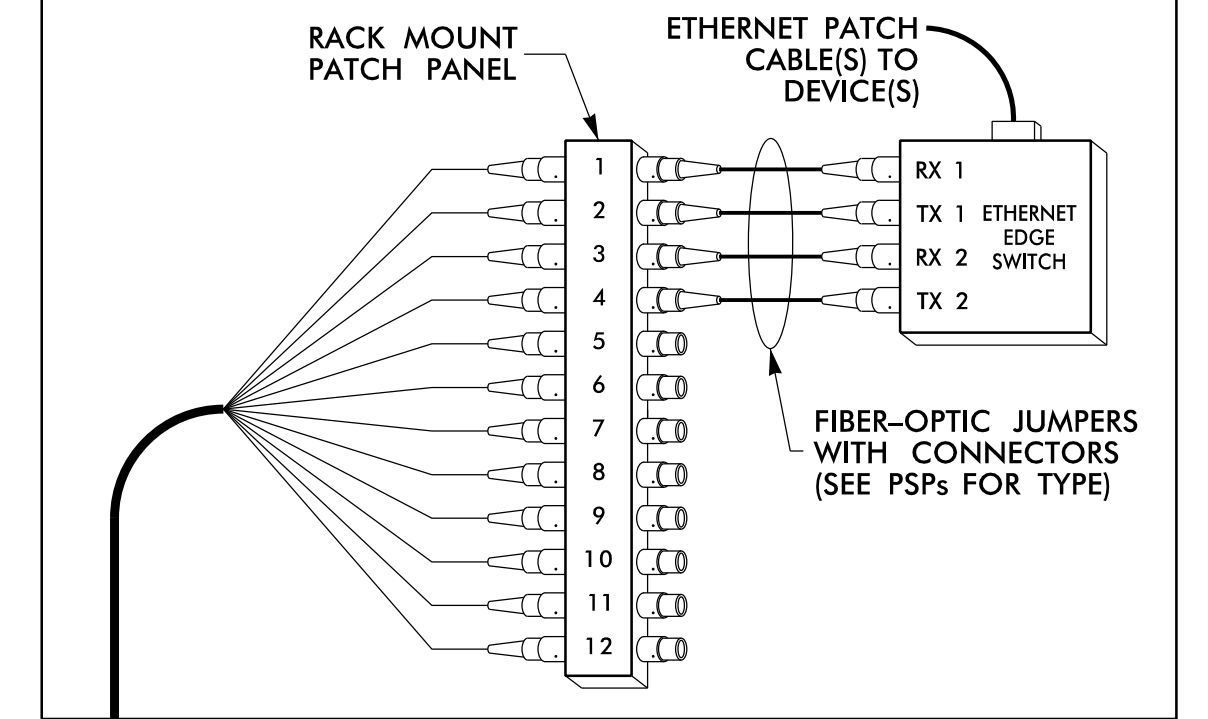


SPLICE NO.

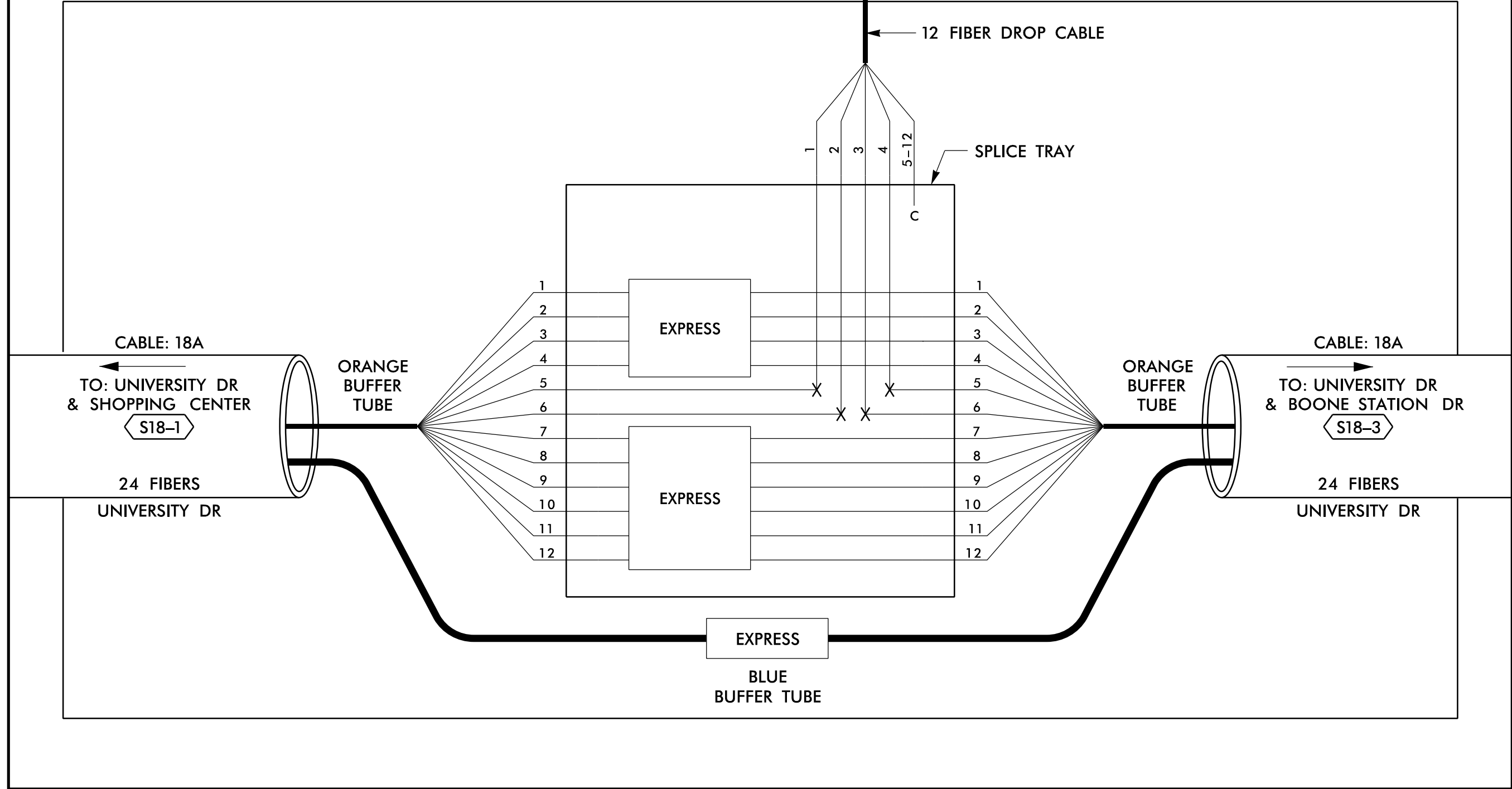
S18-2

UNIVERSITY DR & RURAL RETREAT RD
SEE: CRP-6.049

EQUIPMENT CABINET: 07-2070 /CCTV 32



SPLICE ENCLOSURE



14 JUN 2018 12:31
 D:\projects\proj\11\comms\11_11\comms\11_11_11.dgn
 11_11_11.dgn
 11_11_11.dgn

LEGEND

COLOR CODE TIA/EIA 598-B		X = FUSION SPlice INDIVIDUAL FIBER	EXPRESS	EXPRESS ENTIRE BUFFER TUBE / FIBERS THROUGH WITHOUT CUTTING
(1) BLUE	(7) RED	C = CAP AND SEAL	BUFFER SPlice	SPlice ALL FIBERS IN BUFFER TUBE COLOR TO COLOR
(2) ORANGE	(8) BLACK		EXISTING	EXISTING BUFFER TUBE / FIBERS DO NOT MODIFY EXISTING SPlices OR EXPRESSED FIBERS.
(3) GREEN	(9) YELLOW			
(4) BROWN	(10) VIOLET			
(5) SLATE	(11) ROSE			
(6) WHITE	(12) AQUA			

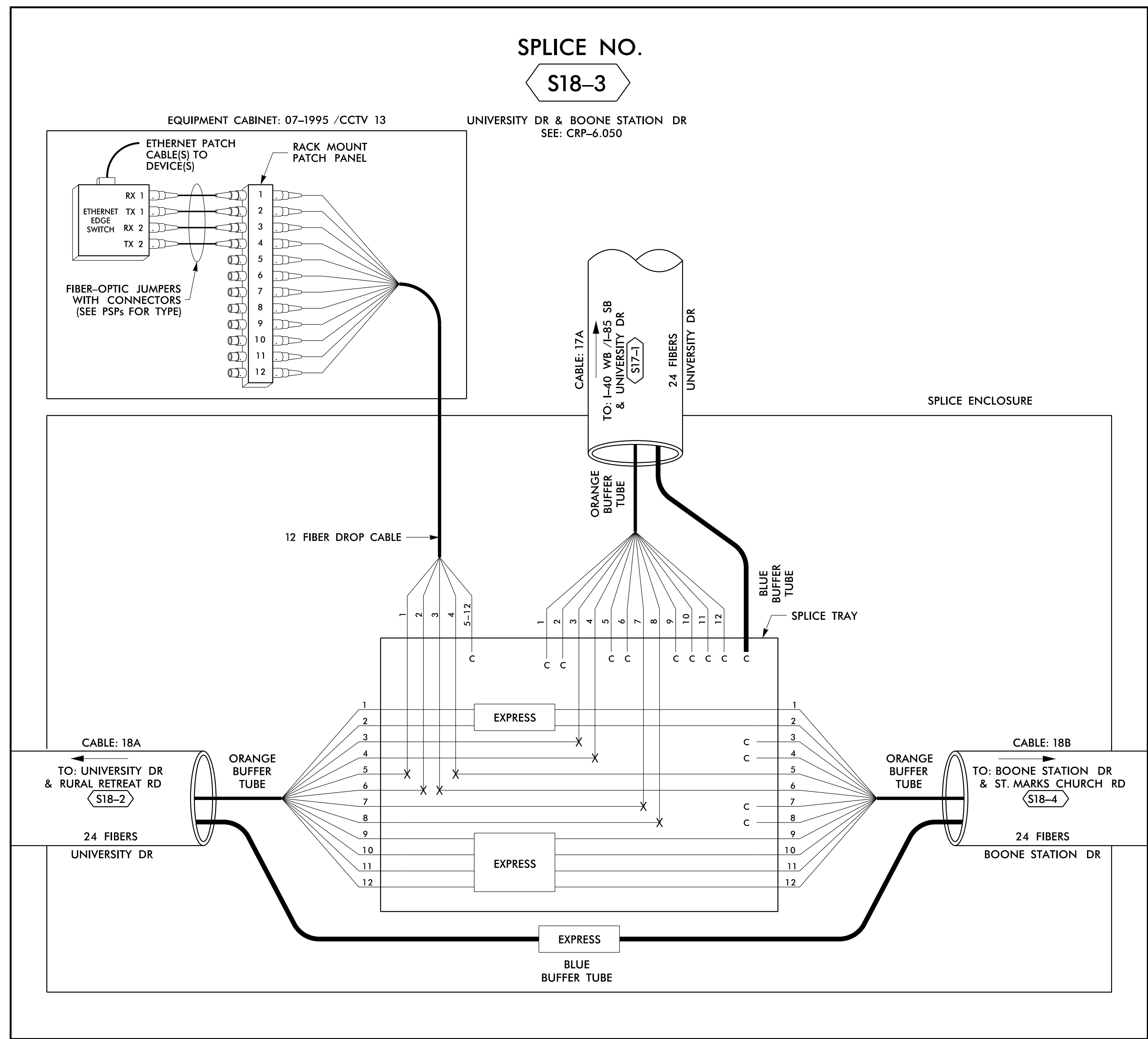
NOTES

- UNUSED FIBERS LEFT COILED AND STORED IN SPLICE TRAY
- UNUSED BUFFER TUBES LEFT COILED AND STORED IN SPLICE ENCLOSURE
- EDGE SWITCH CONFIGURATIONS ARE GENERIC. CONTRACTOR IS RESPONSIBLE FOR DETERMINING/ENSURING THE PROPER TERMINATIONS.

ATKINS 1616 EAST MILLBROOK ROAD, SUITE 160
RALEIGH, NORTH CAROLINA 27609
(919) 876-6888 NCBEEES #F-0326

<p>750 Greenfield Parkway, Garner, NC 27529</p>	<p>Burlington-Graham Signal System Fiber-Optic Splicing Details</p>										
	<p>Division 7 Alamance County Burlington & Graham</p>										
	<p>PLAN DATE: June 2018</p>	<p>REVIEWED BY: HA BADGETT</p>									
	<p>PREPARED BY: BJ SLOCUM</p>	<p>REVIEWED BY: DL JONES</p>									
<p>SCALE: N/A</p>	<table border="1"> <thead> <tr> <th>REVISIONS</th> <th>INIT.</th> <th>DATE</th> </tr> </thead> <tbody> <tr> <td> </td> <td> </td> <td> </td> </tr> <tr> <td> </td> <td> </td> <td> </td> </tr> </tbody> </table>	REVISIONS	INIT.	DATE							<p>DATE: 6/15/2018</p>
REVISIONS	INIT.	DATE									

DOCUMENT NOT CONSIDERED FINAL UNLESS ALL SIGNATURES COMPLETED



14 JUN 2018 12:31
 D:\projects\proj\11\comms\11_11\comms\11_11\comms\11_11_11.dgn
 S:\033653 AT LUS355433

COLOR CODE		LEGEND	
(1) BLUE	(7) RED	EXPRESS	EXPRESS ENTIRE BUFFER TUBE /FIBERS THROUGH WITHOUT CUTTING
(2) ORANGE	(8) BLACK	BUFFER SPlice	SPLICE ALL FIBERS IN BUFFER TUBE COLOR TO COLOR
(3) GREEN	(9) YELLOW	EXISTING	EXISTING BUFFER TUBE /FIBERS DO NOT MODIFY EXISTING SPLICES OR EXPRESSED FIBERS.
(4) BROWN	(10) VIOLET		
(5) SLATE	(11) ROSE		
(6) WHITE	(12) AQUA		

- NOTES**
- UNUSED FIBERS LEFT COILED AND STORED IN SPLICE TRAY
 - UNUSED BUFFER TUBES LEFT COILED AND STORED IN SPLICE ENCLOSURE
 - EDGE SWITCH CONFIGURATIONS ARE GENERIC. CONTRACTOR IS RESPONSIBLE FOR DETERMINING/ENSURING THE PROPER TERMINATIONS.

1616 EAST MILLBROOK ROAD, SUITE 160
RALEIGH, NORTH CAROLINA 27609
(919) 876-6888 NCBEEs #F-0326

**DOCUMENT NOT CONSIDERED FINAL
UNLESS ALL SIGNATURES COMPLETED**

SEAL
NORTH CAROLINA
PROFESSIONAL
ENGINEER
BRADFORD J. SLOCUM
15/2018

**Burlington-Graham Signal System
Fiber-Optic Splicing Details**

Division 7 Alamance County Burlington & Graham

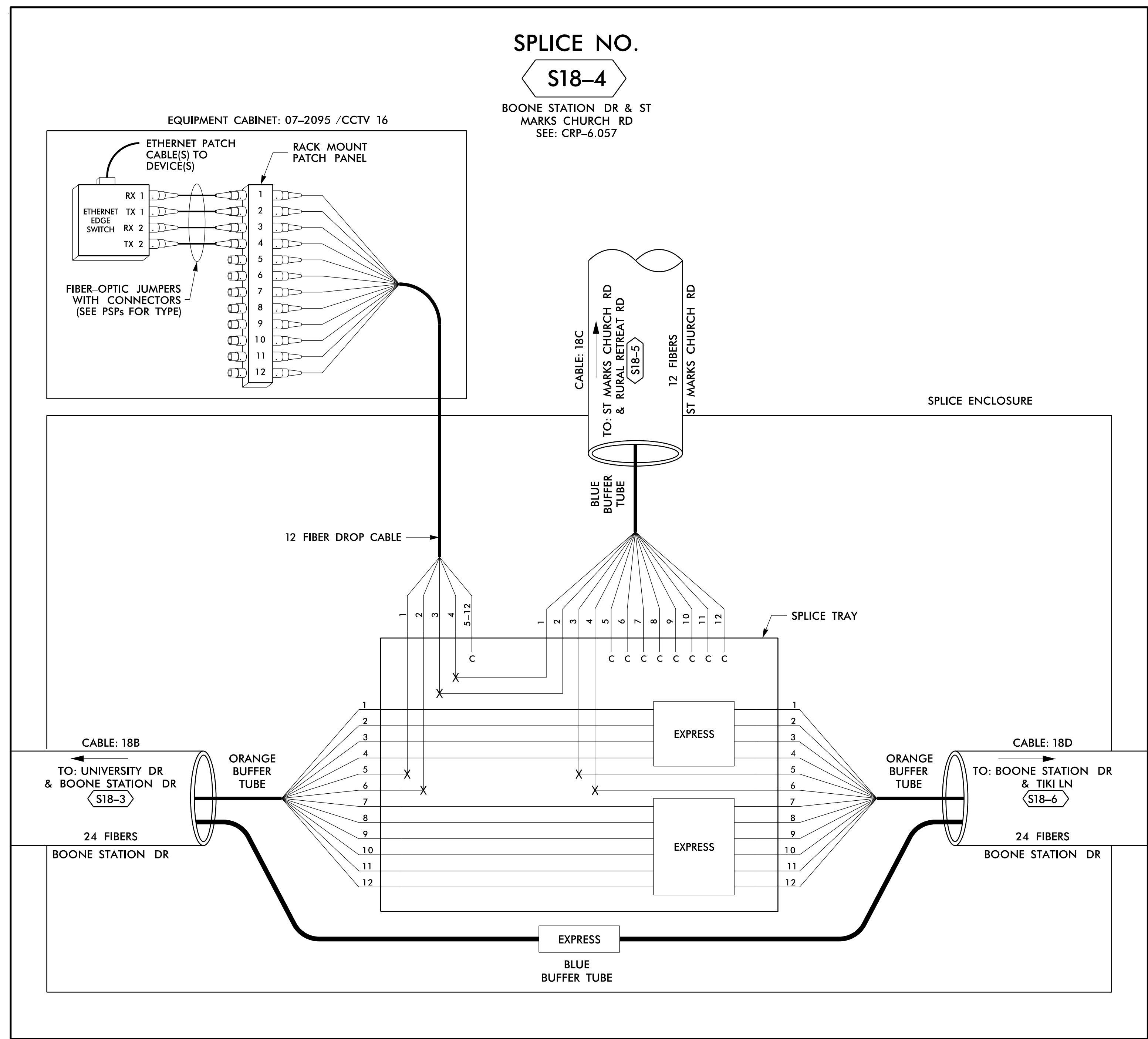
PLAN DATE: June 2018	REVIEWED BY: HA BADGETT
PREPARED BY: BJ SLOCUM	REVIEWED BY: DL JONES

REVISIONS	INIT.	DATE

SCALE: N/A

750 Greenfield Parkway, Garner, NC 27529

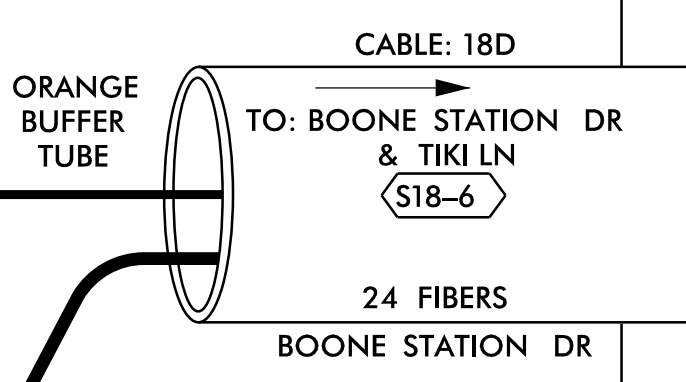
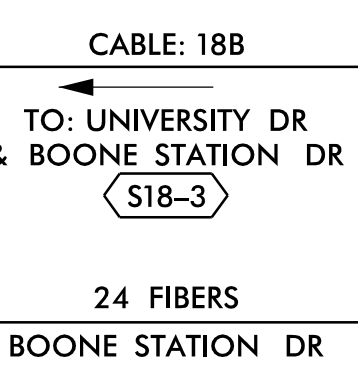
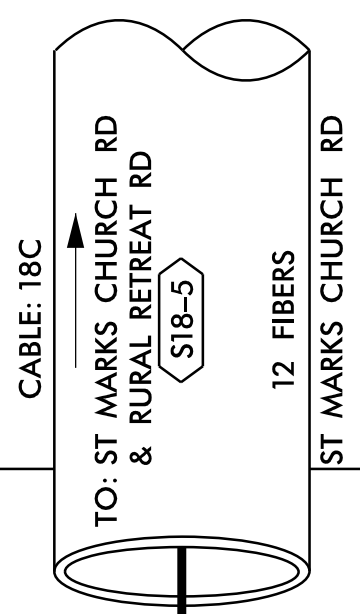
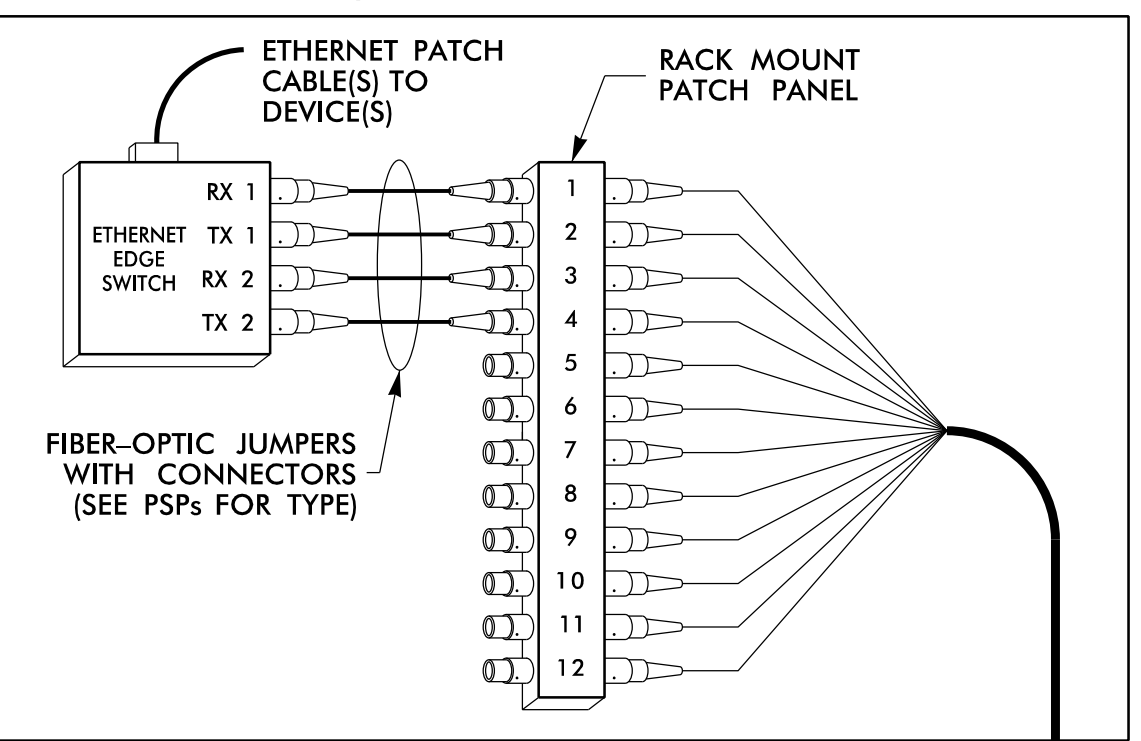
CADD File name: FS 4.109.dgn



SPLICE NO.
S18-4

BOONE STATION DR & ST
MARKS CHURCH RD
SEE: CRP-6.057

EQUIPMENT CABINET: 07-2095 /CCTV 16



LEGEND

COLOR CODE TIA/EIA 598-B		X = FUSION SPlice INDIVIDUAL FIBER THROUGH WITHOUT CUTTING
(1) BLUE	(7) RED	EXPRESS
(2) ORANGE	(8) BLACK	EXPRESS ENTIRE BUFFER TUBE /FIBERS THROUGH WITHOUT CUTTING
(3) GREEN	(9) YELLOW	BUFFER SPlice
(4) BROWN	(10) VIOLET	BUFFER SPlice
(5) SLATE	(11) ROSE	EXISTING
(6) WHITE	(12) AQUA	EXISTING
		EXISTING BUFFER TUBE /FIBERS DO NOT MODIFY EXISTING SPlices OR EXPRESSED FIBERS.

NOTES

- UNUSED FIBERS LEFT COILED AND STORED IN SPLICE TRAY
- UNUSED BUFFER TUBES LEFT COILED AND STORED IN SPLICE ENCLOSURE
- EDGE SWITCH CONFIGURATIONS ARE GENERIC. CONTRACTOR IS RESPONSIBLE FOR DETERMINING/ENSURING THE PROPER TERMINATIONS.

ATKINS 1616 EAST MILLBROOK ROAD, SUITE 160
RALEIGH, NORTH CAROLINA 27609
(919) 876-6888 NCBEE# F-0326

DOCUMENT NOT CONSIDERED FINAL
UNLESS ALL SIGNATURES COMPLETED

Prepared for the Offices of:

 750 Greenfield Parkway, Garner, NC 27529
 SCALE: N/A

Burlington-Graham Signal System Fiber-Optic Splicing Details		Burlington & Graham	
Division 7	Alamance County		
PLAN DATE: June 2018	REVIEWED BY: HA BADGETT		
PREPARED BY: BJ SLOCUM	REVIEWED BY: DL JONES		
REVISIONS	INIT.	DATE	

SEAL

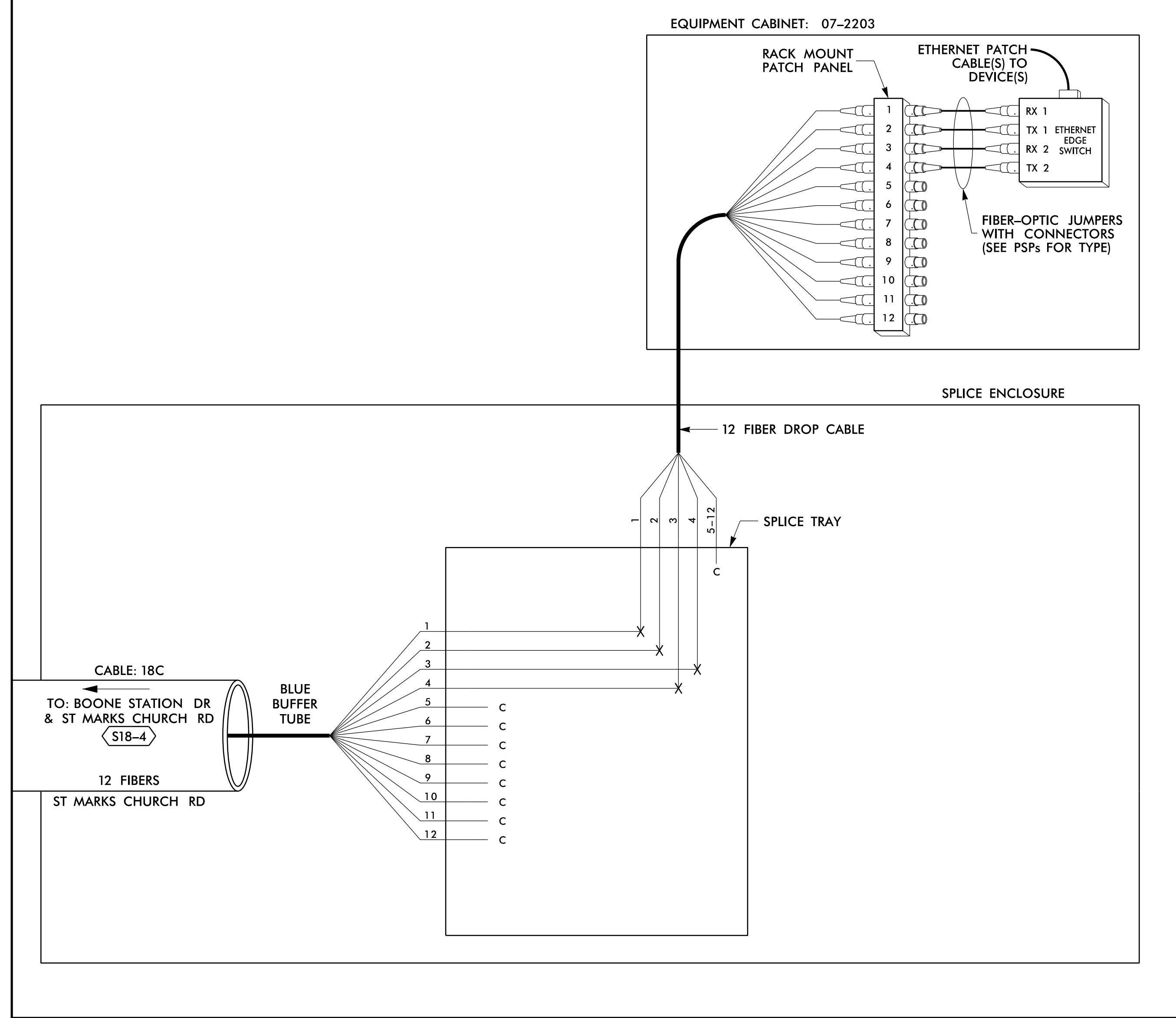
 BRADFORD J. SLOCUM
 ENGINEER
 15/2018
 DATE

14-JUN-2018 12:31
 D:\projects\proj\100056469 U-6015 B-C Sig_Sys\Task 11_Comms\F S 4.110.dgn
 S:\DCS\653 AT_LUS355433

SPLICE NO.

S18-5

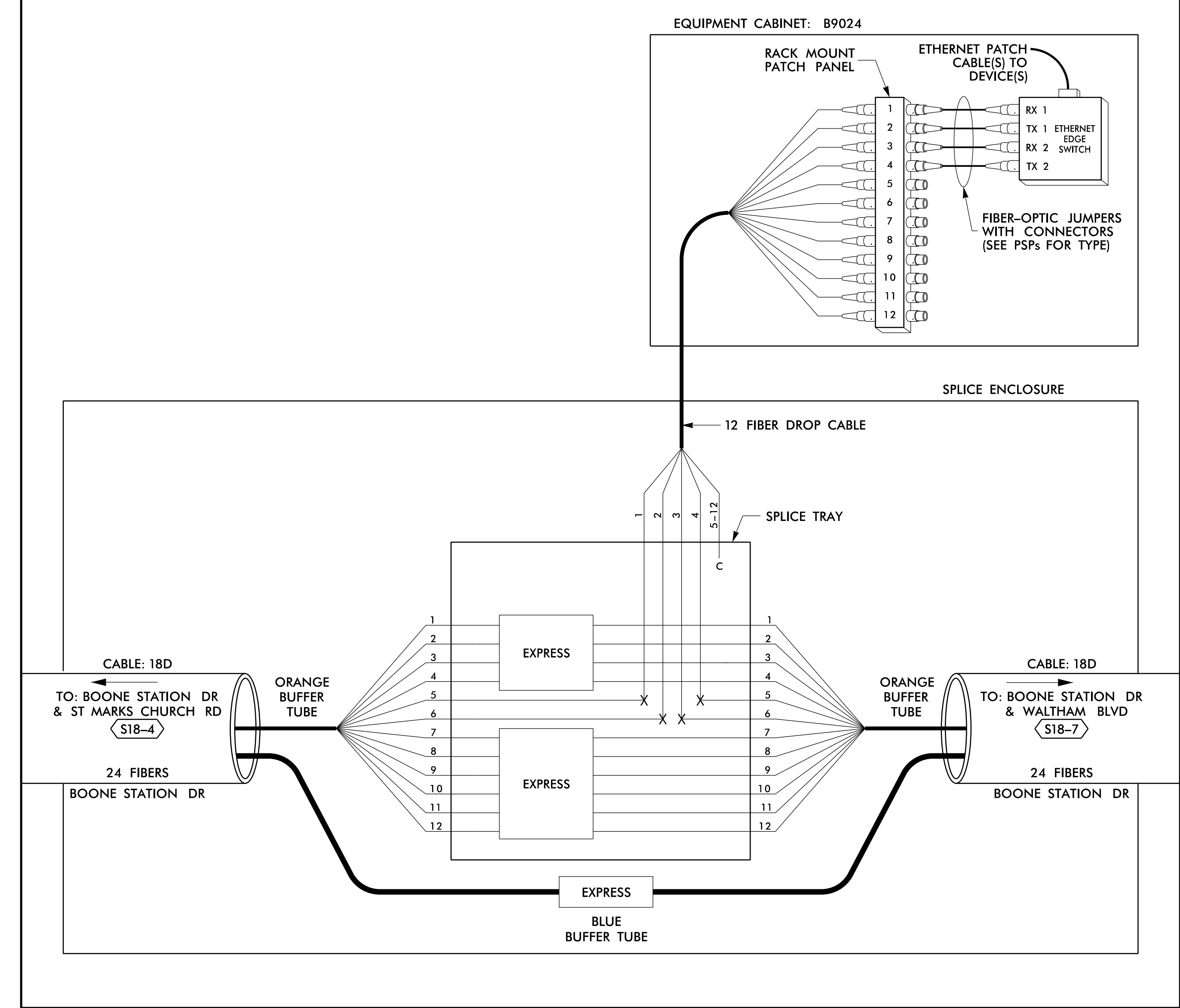
ST MARKS CHURCH RD &
RURAL RETREAT RD
SEE: CRP-6.070



SPLICE NO.

S18-6

BOONE STATION DR & TIKI
SEE: CRP-6.058



14 JUN 2018 12:31
 D:\projects\proj\11\comms\11_Coms\Fs_4.111.dgn
 11_Coms\Fs_4.111.dgn
 LUS355433

LEGEND

COLOR CODE TIA/EIA 598-B		X = FUSION SPlice INDIVIDUAL FIBER C = CAP AND SEAL
(1) BLUE	(7) RED	EXPRESS
(2) ORANGE	(8) BLACK	EXPRESS ENTIRE BUFFER TUBE / FIBERS THROUGH WITHOUT CUTTING
(3) GREEN	(9) YELLOW	BUFFER SPlice
(4) BROWN	(10) VIOLET	BUFFER SPlice
(5) SLATE	(11) ROSE	EXISTING
(6) WHITE	(12) AQUA	EXISTING
SPlice ALL FIBERS IN BUFFER TUBE COLOR TO COLOR		EXISTING BUFFER TUBE / FIBERS DO NOT MODIFY EXISTING SPlices OR EXPRESSED FIBERS.

NOTES

- UNUSED FIBERS LEFT COILED AND STORED IN SPlice TRAY
- UNUSED BUFFER TUBES LEFT COILED AND STORED IN SPlice ENCLOSURE
- EDGE SWITCH CONFIGURATIONS ARE GENERIC. CONTRACTOR IS RESPONSIBLE FOR DETERMINING/ENSURING THE PROPER TERMINATIONS.

ATKINS 1616 EAST MILLBROOK ROAD, SUITE 160
RALEIGH, NORTH CAROLINA 27609
(919) 876-6888 NCBEEs #F-0326

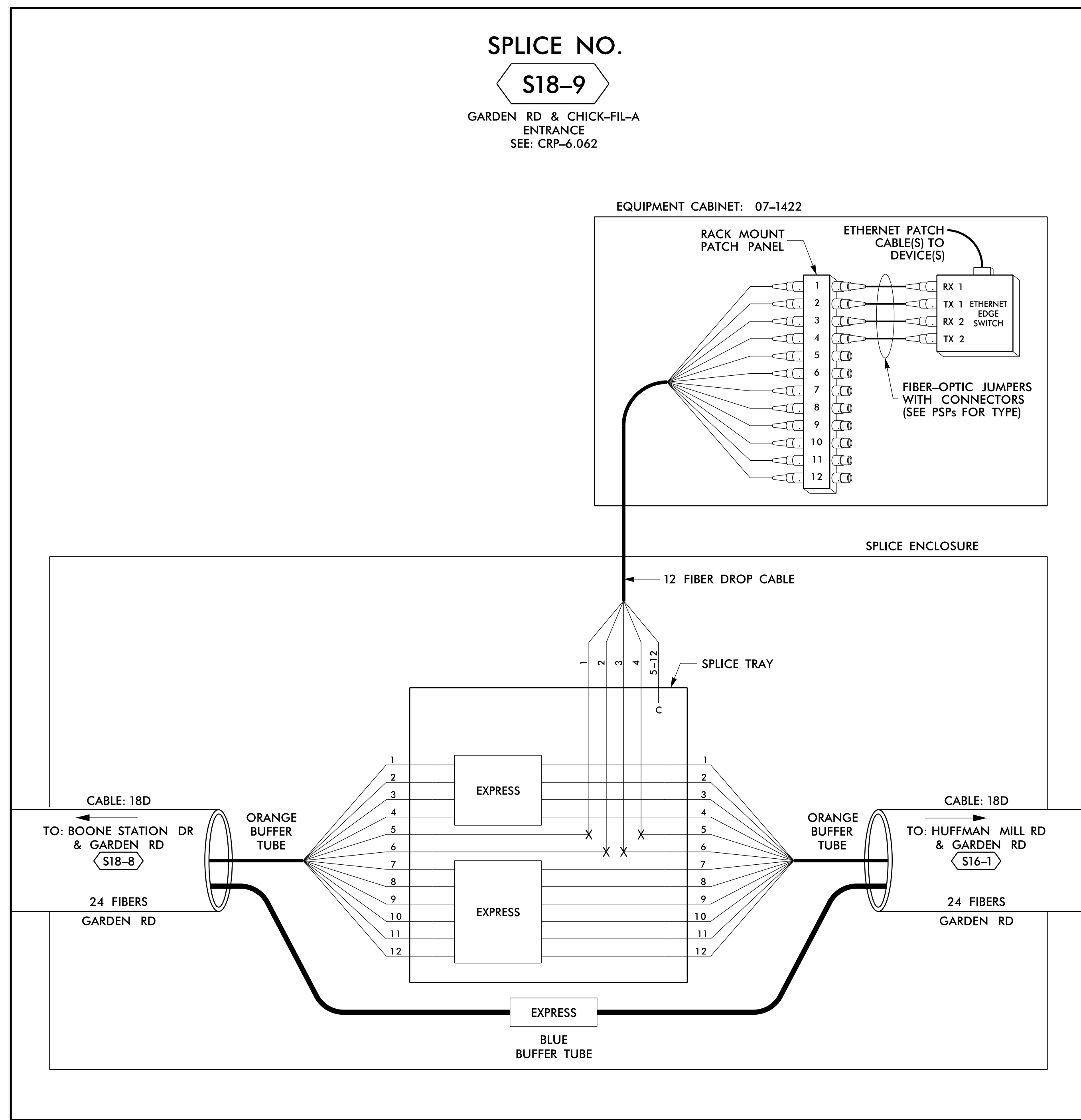
DOCUMENT NOT CONSIDERED FINAL UNLESS ALL SIGNATURES COMPLETED

Prepared for the Offices of: 750 Greenfield Parkway, Garner, NC 27529	Burlington-Graham Signal System Fiber-Optic Splicing Details		SEAL NORTH CAROLINA PROFESSIONAL ENGINEER SEAL 040877 BRADFORD J. SLOCUM 15/2018 DATE
	Division 7 Alamance County PLAN DATE: June 2018 PREPARED BY: BJ SLOCUM	Burlington & Graham REVIEWED BY: HA BADGETT REVIEWED BY: DL JONES	
SCALE N/A	REVISIONS INIT. DATE		DATE

SPLICE NO.

S18-9

GARDEN RD & CHICK-FIL-A
ENTRANCE
SEE: CRP-6.062



14 JUN 2018 12:31
 D:\Technical\proj\11\comms\11_113.dgn
 0:*\Techno\proj\11\comms\11_113.dgn
 S:\03\653 AT_LUS355433

LEGEND

COLOR CODE TIA/EIA 598-B		X = FUSION SPlice INDIVIDUAL FIBER C = CAP AND SEAL
(1) BLUE	(7) RED	EXPRESS
(2) ORANGE	(8) BLACK	EXPRESS ENTIRE BUFFER TUBE / FIBERS THROUGH WITHOUT CUTTING
(3) GREEN	(9) YELLOW	BUFFER SPlice
(4) BROWN	(10) VIOLET	BUFFER SPlice
(5) SLATE	(11) ROSE	EXISTING
(6) WHITE	(12) AQUA	EXISTING
		EXPRESS ALL FIBERS IN BUFFER TUBE COLOR TO COLOR
		EXISTING BUFFER TUBE / FIBERS DO NOT MODIFY EXISTING SPlices OR EXPRESSED FIBERS.

NOTES

- UNUSED FIBERS LEFT COILED AND STORED IN SPLICE TRAY
- UNUSED BUFFER TUBES LEFT COILED AND STORED IN SPLICE ENCLOSURE
- EDGE SWITCH CONFIGURATIONS ARE GENERIC. CONTRACTOR IS RESPONSIBLE FOR DETERMINING/ENSURING THE PROPER TERMINATIONS.

ATKINS 1616 EAST MILLBROOK ROAD, SUITE 160
 RALEIGH, NORTH CAROLINA 27609
 (919) 876-6888 NCBEEs #F-0326

DOCUMENT NOT CONSIDERED FINAL UNLESS ALL SIGNATURES COMPLETED

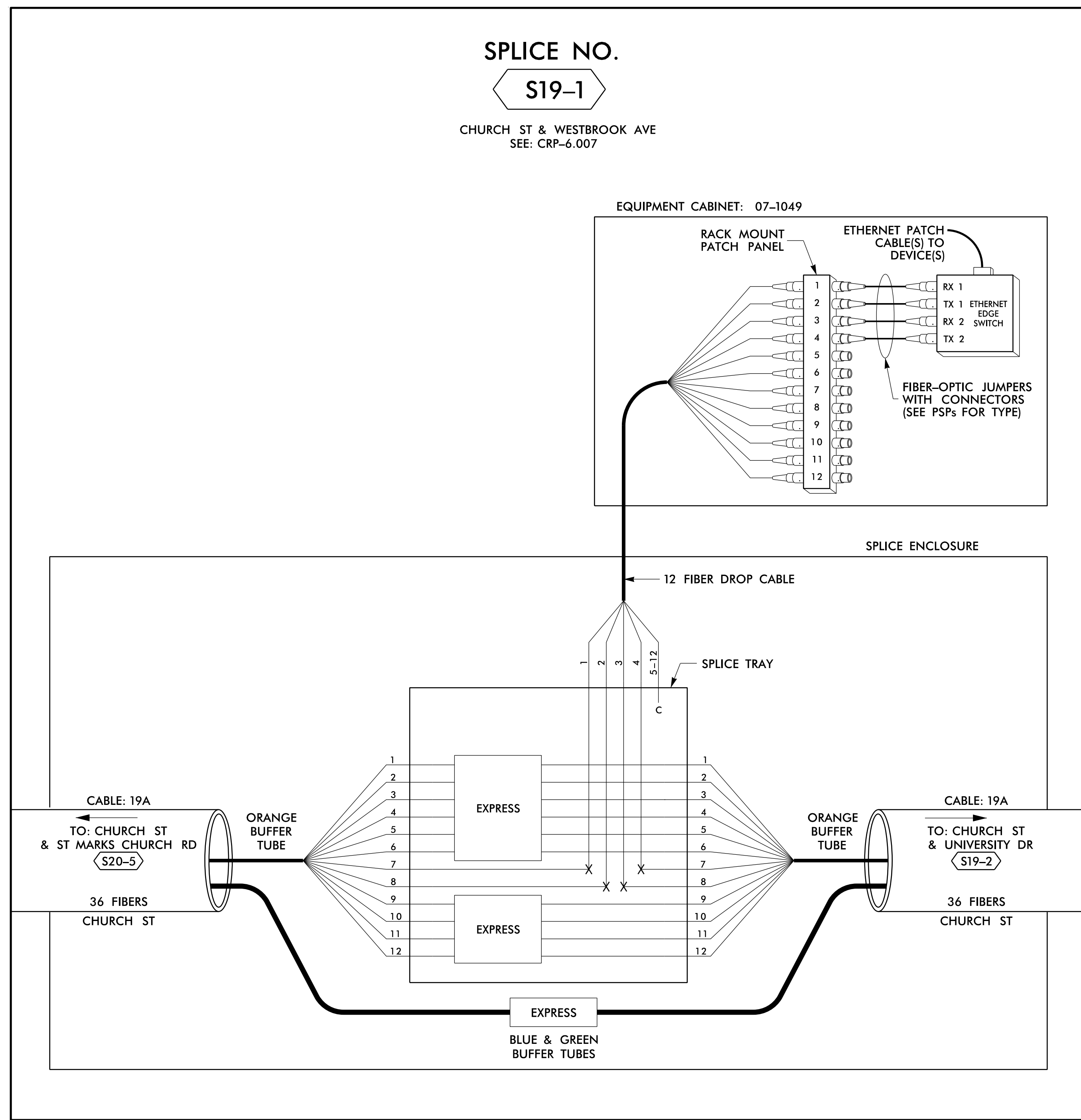
Prepared for the Offices of: 750 Greenfield Parkway, Garner, NC 27529	Burlington-Graham Signal System Fiber-Optic Splicing Details		SEAL NORTH CAROLINA PROFESSIONAL ENGINEER SEAL 040877 BRADFORD J. SLOCUM 15/2018
	Division 7 Alamance County PLAN DATE: June 2018 PREPARED BY: BJ SLOCUM	Burlington & Graham REVIEWED BY: HA BADGETT REVIEWED BY: DL JONES	
REVISIONS			DATE

CADD File name: FS 4.113.dgn

SPLICE NO.

S19-1

CHURCH ST & WESTBROOK AVE
SEE: CRP-6.007



14 JUN 2018 12:31
 D:\Technical\Projects\U-6015 B-C Sig. Sys\Task 11_Comm\F4.114.dgn
 S:\DCS\653 AT_LUS355433

LEGEND

COLOR CODE TIA/EIA 598-B		X = FUSION SPlice INDIVIDUAL FIBER	
(1) BLUE	(7) RED	EXPRESS	EXPRESS ENTIRE BUFFER TUBE / FIBERS THROUGH WITHOUT CUTTING
(2) ORANGE	(8) BLACK	BUFFER SPlice	SPLICE ALL FIBERS IN BUFFER TUBE COLOR TO COLOR
(3) GREEN	(9) YELLOW	EXISTING	EXISTING BUFFER TUBE / FIBERS DO NOT MODIFY EXISTING SPLICES OR EXPRESSED FIBERS.
(4) BROWN	(10) VIOLET		
(5) SLATE	(11) ROSE		
(6) WHITE	(12) AQUA		

NOTES

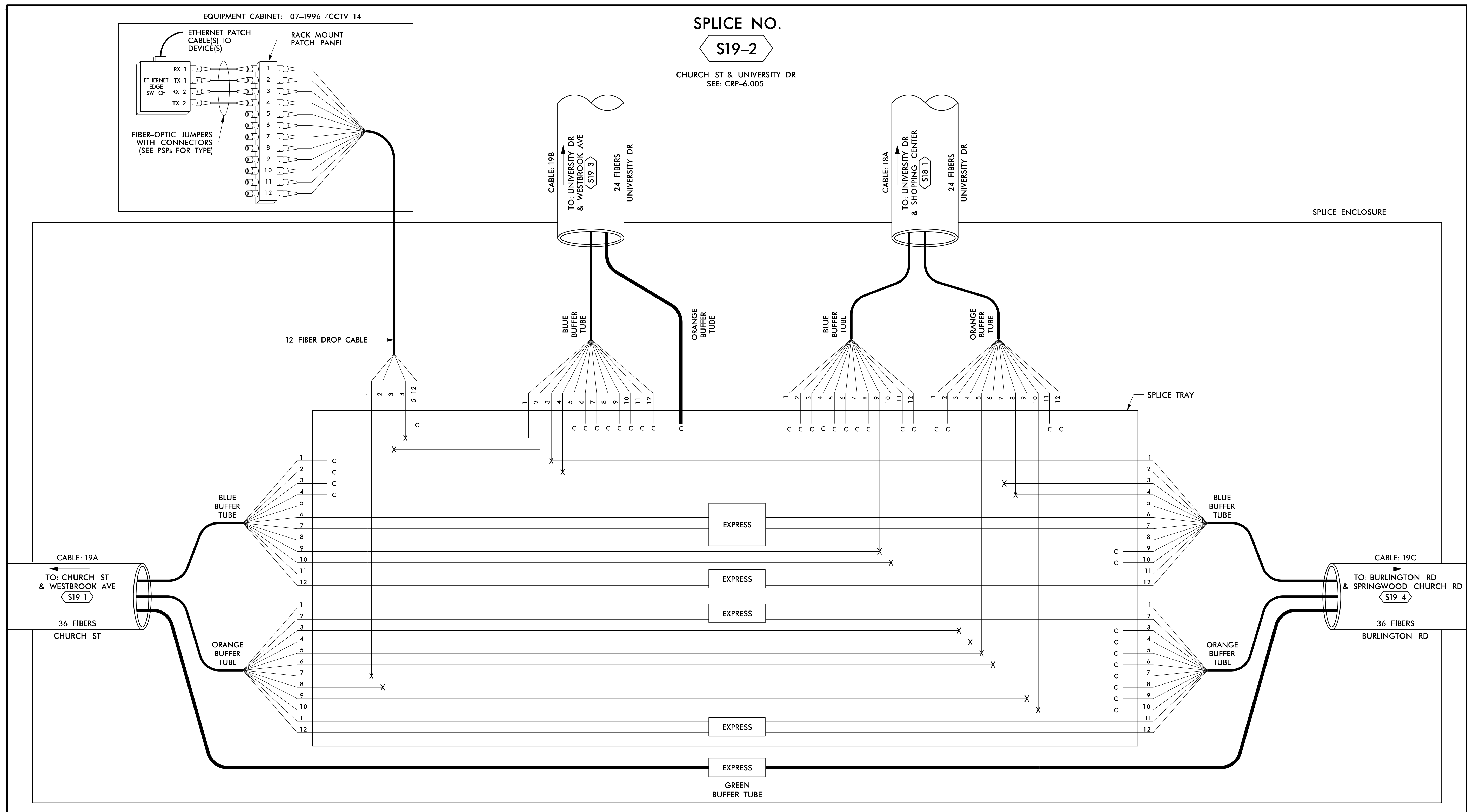
- UNUSED FIBERS LEFT COILED AND STORED IN SPLICE TRAY
- UNUSED BUFFER TUBES LEFT COILED AND STORED IN SPLICE ENCLOSURE
- EDGE SWITCH CONFIGURATIONS ARE GENERIC. CONTRACTOR IS RESPONSIBLE FOR DETERMINING/ENSURING THE PROPER TERMINATIONS.

ATKINS 1616 EAST MILLBROOK ROAD, SUITE 160
RALEIGH, NORTH CAROLINA 27609
(919) 876-6888 NCBEE# F-0326

DOCUMENT NOT CONSIDERED FINAL UNLESS ALL SIGNATURES COMPLETED

	Prepared for the Offices of: NORTH CAROLINA DEPARTMENT OF TRANSPORTATION Transportation Systems		
	Burlington-Graham Signal System Fiber-Optic Splicing Details		
Division 7 Alamance County Burlington & Graham		PLAN DATE: June 2018 REVIEWED BY: HA BADGETT	
PREPARED BY: BJ SLOCUM		REVIEWED BY: DL JONES	
SCALE: N/A		REVISIONS: _____ INIT. DATE _____	
750 Greenfield Parkway, Garner, NC 27529		DATE: _____	

DocuSign Envelope ID: 0FE85FC2-54CD-4048-94C3-548ADCEC8A06
CADD File name: FS 4.114.dgn



SPLICE NO.
S19-2

CHURCH ST & UNIVERSITY DR
 SEE: CRP-6.005

SPLICE ENCLOSURE

SPLICE TRAY

LEGEND

COLOR CODE TIA/EIA 598-B		X = FUSION SPLICE INDIVIDUAL FIBER C = CAP AND SEAL
(1) BLUE	(7) RED	EXPRESS EXPRESS ENTIRE BUFFER TUBE / FIBERS THROUGH WITHOUT CUTTING
(2) ORANGE	(8) BLACK	BUFFER SPLICE SPLICE ALL FIBERS IN BUFFER TUBE COLOR TO COLOR
(3) GREEN	(9) YELLOW	EXISTING EXISTING BUFFER TUBE / FIBERS DO NOT MODIFY EXISTING SPLICES OR EXPRESSED FIBERS.
(4) BROWN	(10) VIOLET	
(5) SLATE	(11) ROSE	
(6) WHITE	(12) AQUA	

NOTES

- UNUSED FIBERS LEFT COILED AND STORED IN SPLICE TRAY
- UNUSED BUFFER TUBES LEFT COILED AND STORED IN SPLICE ENCLOSURE
- EDGE SWITCH CONFIGURATIONS ARE GENERIC. CONTRACTOR IS RESPONSIBLE FOR DETERMINING/ENSURING THE PROPER TERMINATIONS.

ATKINS

1616 EAST MILLBROOK ROAD, SUITE 160
 RALEIGH, NORTH CAROLINA 27609
 (919) 876-6888 NCBEEES #F-0326

DOCUMENT NOT CONSIDERED FINAL
 UNLESS ALL SIGNATURES COMPLETED

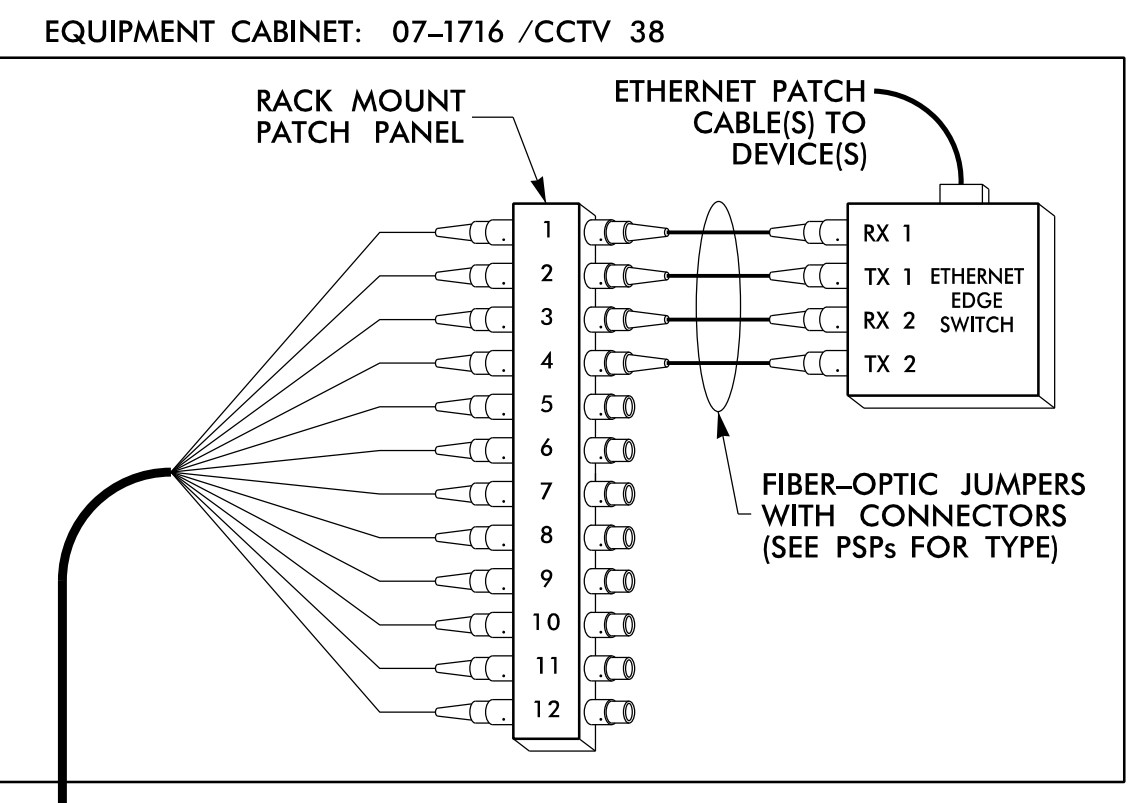
	Burlington-Graham Signal System Fiber-Optic Splicing Details		
	Division 7 Alamance County	Burlington & Graham	
PLAN DATE: June 2018	REVIEWED BY: HA BADGETT	PREPARED BY: BJ SLOCUM	REVIEWED BY: DL JONES
SCALE: N/A	REVISIONS	INIT.	DATE
CADD File name: FS 4.115.dgn			

14-JUN-2018 12:31
 D:\projects\proj\100056469 U-6015 B-C Sig_Sys\Task 11_Comms\F 4.115.dgn
 S:\035633 AT_LUS355433

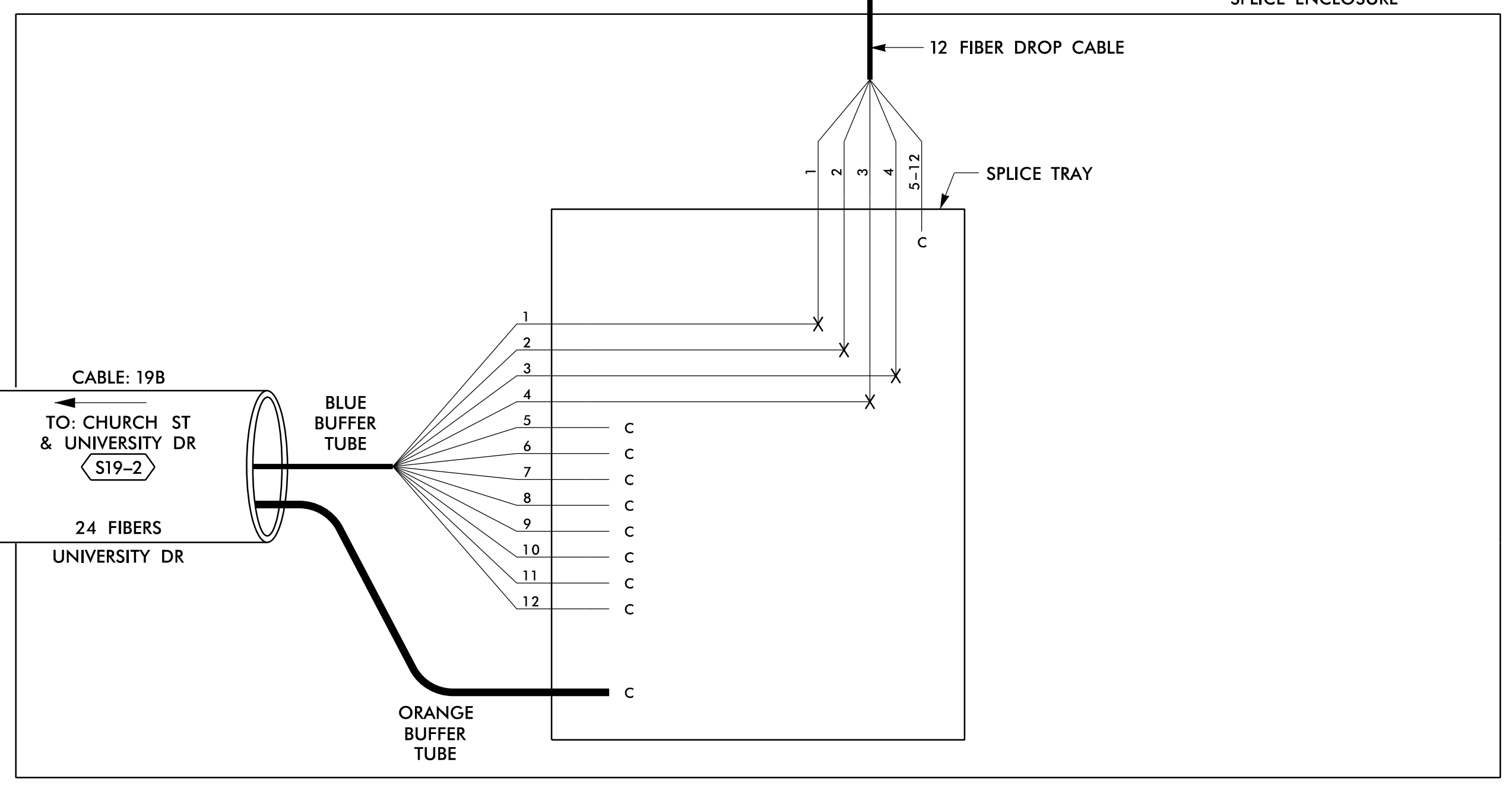
SPLICE NO.

S19-3

UNIVERSITY DR &
WESTBROOK AVE
SEE: CRP-6.046



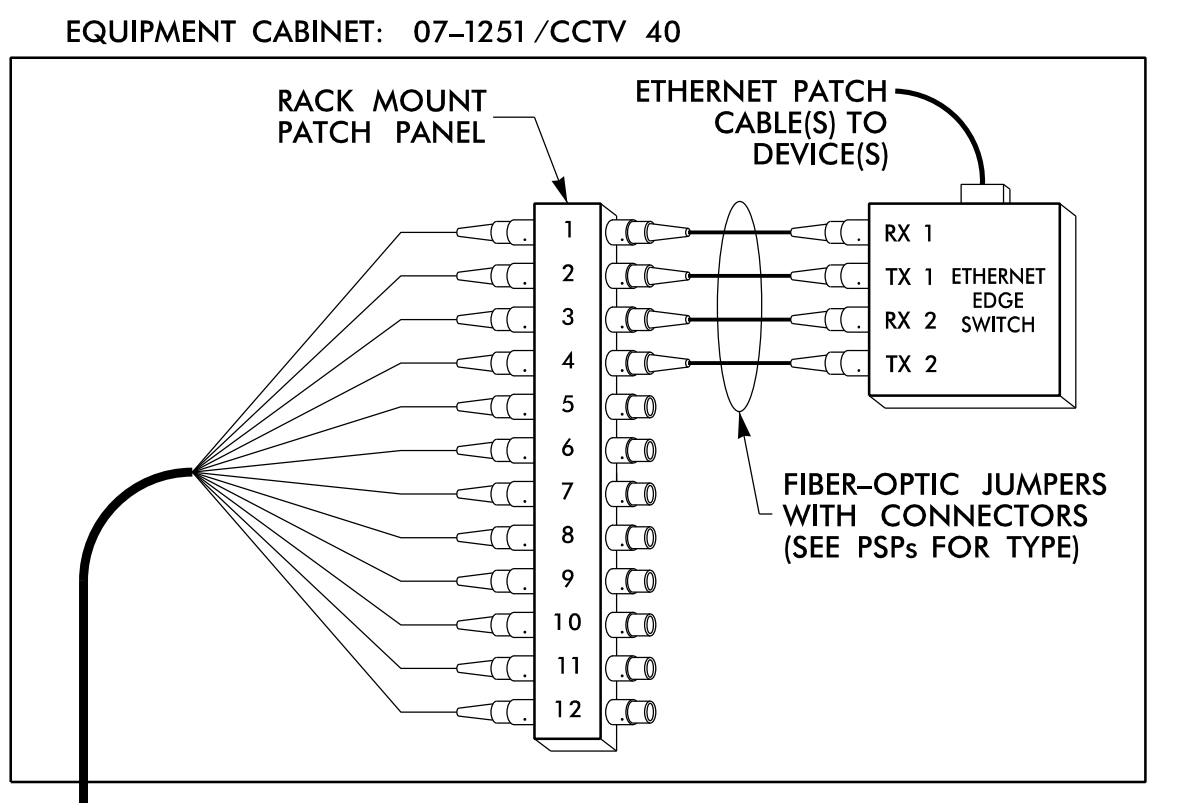
SPLICE ENCLOSURE



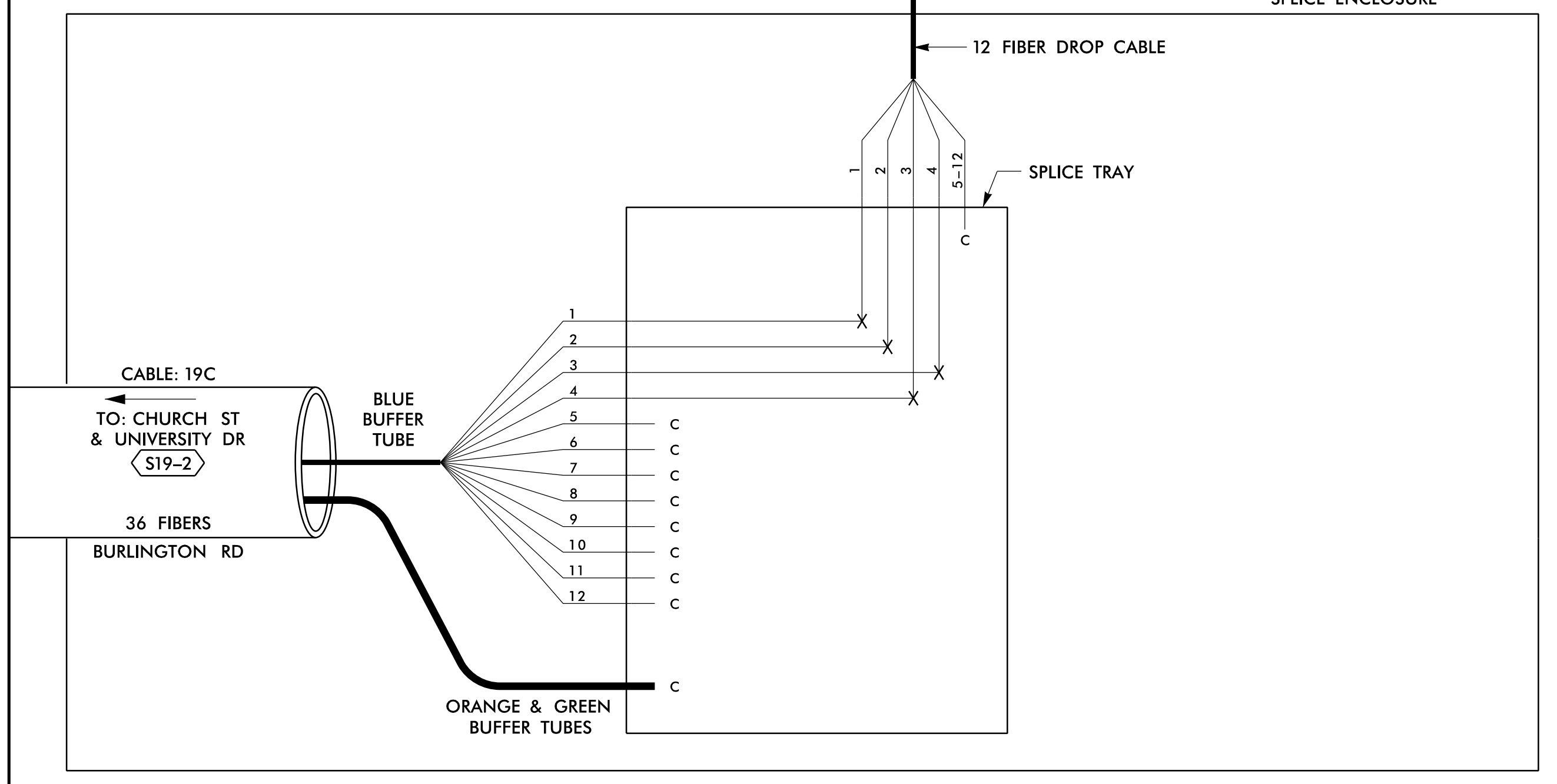
SPLICE NO.

S19-4

BURLINGTON RD & SPRINGWOOD CHURCH RD
SEE: CRP-6.001



SPLICE ENCLOSURE



LEGEND

COLOR CODE TIA/EIA 598-B		X = FUSION SPlice INDIVIDUAL FIBER	
(1) BLUE	(7) RED	EXPRESS	EXPRESS ENTIRE BUFFER TUBE / FIBERS THROUGH WITHOUT CUTTING
(2) ORANGE	(8) BLACK	BUFFER SPlice	SPlice ALL FIBERS IN BUFFER TUBE COLOR TO COLOR
(3) GREEN	(9) YELLOW	EXISTING	EXISTING BUFFER TUBE / FIBERS DO NOT MODIFY EXISTING SPlices OR EXPRESSED FIBERS.
(4) BROWN	(10) VIOLET		
(5) SLATE	(11) ROSE		
(6) WHITE	(12) AQUA		
		C =	CAP AND SEAL

NOTES

1. UNUSED FIBERS LEFT COILED AND STORED IN SPLICE TRAY
2. UNUSED BUFFER TUBES LEFT COILED AND STORED IN SPLICE ENCLOSURE
3. EDGE SWITCH CONFIGURATIONS ARE GENERIC. CONTRACTOR IS RESPONSIBLE FOR DETERMINING/ENSURING THE PROPER TERMINATIONS.

ATKINS 1616 EAST MILLBROOK ROAD, SUITE 160
RALEIGH, NORTH CAROLINA 27609
(919) 876-6888 NCBEEES #F-0326

DOCUMENT NOT CONSIDERED FINAL UNLESS ALL SIGNATURES COMPLETED

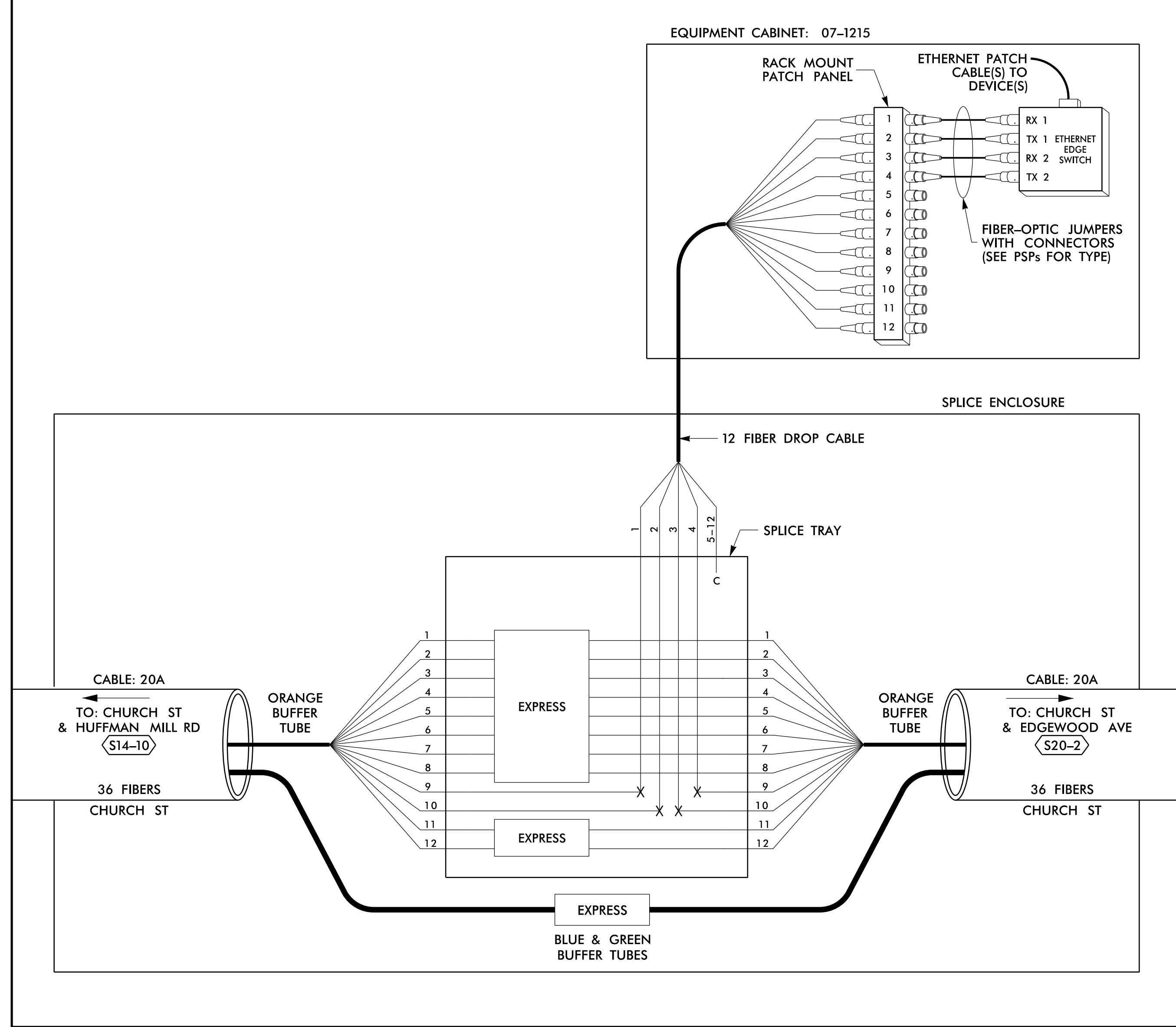
	Burlington-Graham Signal System Fiber-Optic Splicing Details		
	Division 7 Alamance County	Burlington & Graham	
PLAN DATE: June 2018	REVIEWED BY: HA BADGETT	PREPARED BY: BJ SLOCUM	REVIEWED BY: DL JONES
SCALE: N/A	REVISIONS	INIT.	DATE
CAD File name: FS 4.116.dgn			

I:_JUN-2018_12:31
 0:_Technical\proj\con\Truff\c\Cur*100056469 U=6015 B=C Sig_Sys*Task 11_Corrs*FS 4_116.dgn
 SLOCUM AT LUS355433

SPLICE NO.

S20-1

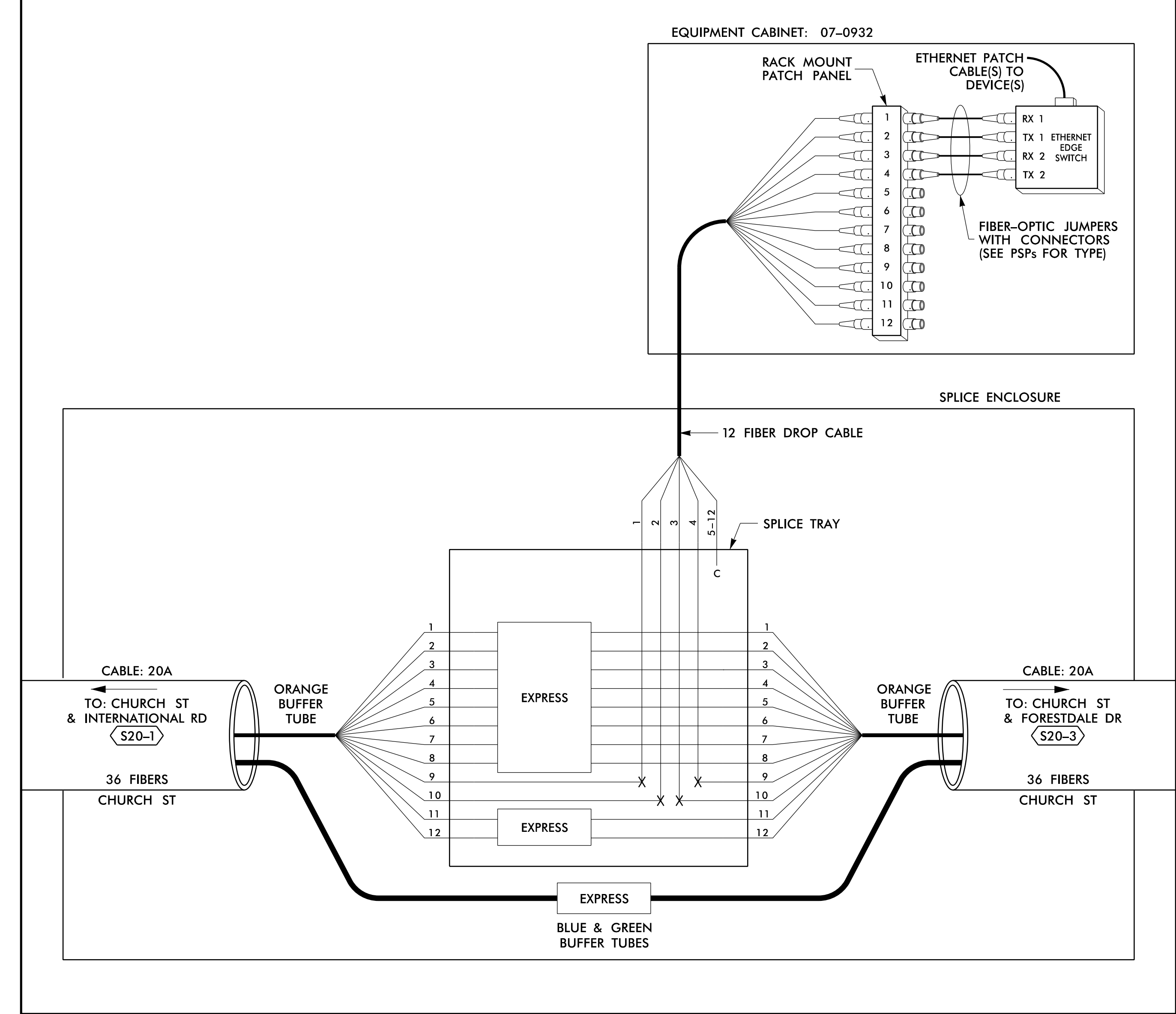
CHURCH ST & INTERNATIONAL RD
SEE: CRP-6.013



SPLICE NO.

S20-2

CHURCH ST & EDGEWOOD AVE
SEE: CRP-6.012



14 JUN 2018 12:31
 D:\projects\proj\11\comms\11_Coms\Fs 4.117.dgn
 0:*\techno\proj\11\comms\11_Coms\Fs 4.117.dgn
 S:\033653 AT LUS355433

LEGEND

COLOR CODE TIA/EIA 598-B		X = FUSION SPlice INDIVIDUAL FIBER	EXPRESS	EXPRESS ENTIRE BUFFER TUBE / FIBERS THROUGH WITHOUT CUTTING
(1) BLUE	(7) RED	C = CAP AND SEAL	BUFFER SPlice	SPlice ALL FIBERS IN BUFFER TUBE COLOR TO COLOR
(2) ORANGE	(8) BLACK		EXISTING	EXISTING BUFFER TUBE / FIBERS DO NOT MODIFY EXISTING SPlices OR EXPRESSED FIBERS.
(3) GREEN	(9) YELLOW			
(4) BROWN	(10) VIOLET			
(5) SLATE	(11) ROSE			
(6) WHITE	(12) AQUA			

NOTES

- UNUSED FIBERS LEFT COILED AND STORED IN SPLICE TRAY
- UNUSED BUFFER TUBES LEFT COILED AND STORED IN SPLICE ENCLOSURE
- EDGE SWITCH CONFIGURATIONS ARE GENERIC. CONTRACTOR IS RESPONSIBLE FOR DETERMINING/ENSURING THE PROPER TERMINATIONS.

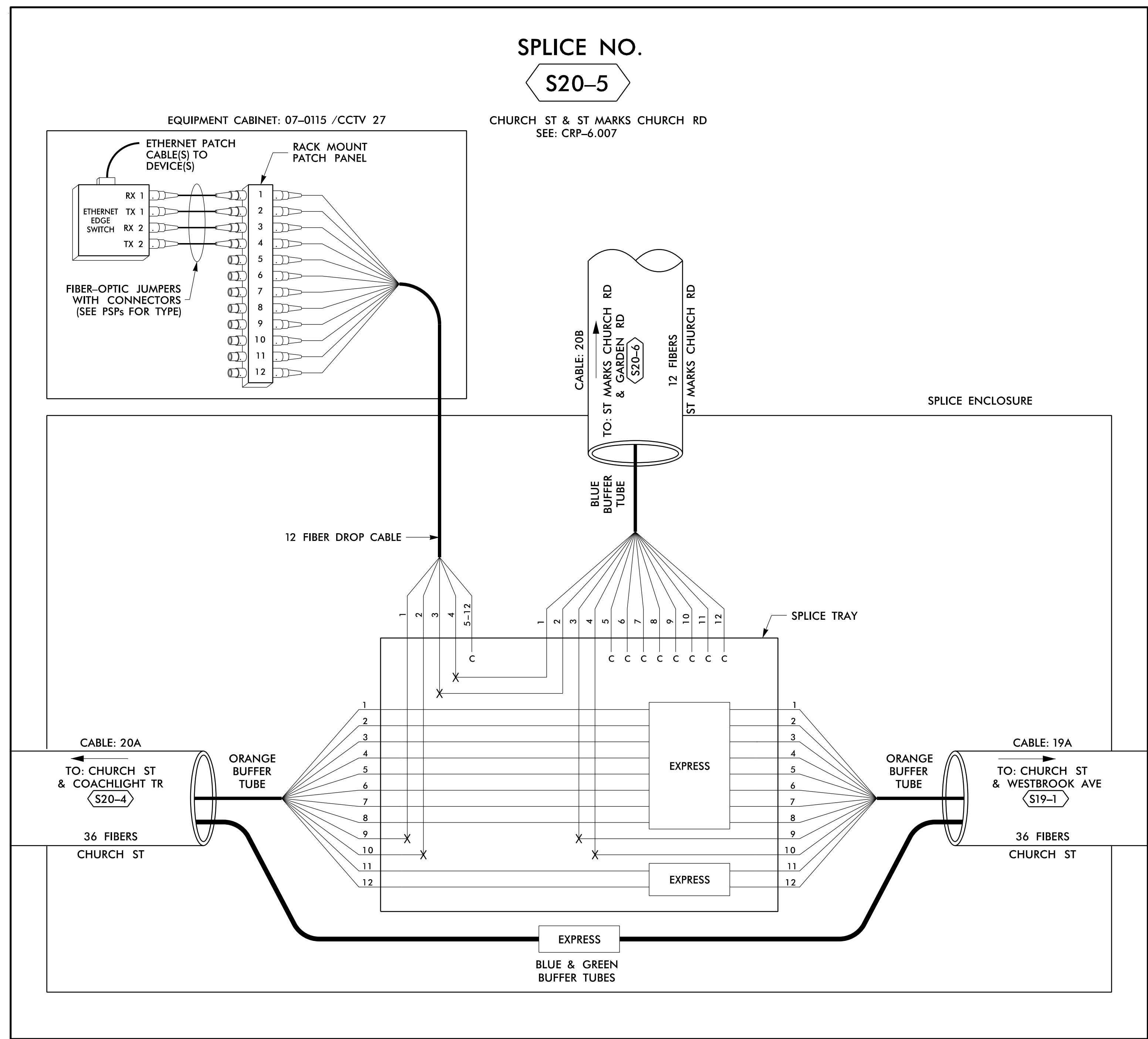
ATKINS 1616 EAST MILLBROOK ROAD, SUITE 160
RALEIGH, NORTH CAROLINA 27609
(919) 876-6888 NCBEE# F-0326

DOCUMENT NOT CONSIDERED FINAL UNLESS ALL SIGNATURES COMPLETED

	Burlington-Graham Signal System Fiber-Optic Splicing Details		
	Division 7 Alamance County	Burlington & Graham	
	PLAN DATE: June 2018	REVIEWED BY: HA BADGETT	
	PREPARED BY: BJ SLOCUM	REVIEWED BY: DL JONES	
SCALE: N/A	REVISIONS	INIT. DATE	DATE

750 Greenfield Parkway, Garner, NC 27529

DATE: 6/15/2018
CADD File name: FS 4.117.dgn



14 JUN 2018 12:31
 D:\Technical\Projects\U-6015 B-C Sig Sys\Task 11_Coms\F_S 4.119.dgn
 S:\DCS\653 AT_LUS355433

COLOR CODE		LEGEND	
(1) BLUE	(7) RED	EXPRESS	EXPRESS ENTIRE BUFFER TUBE / FIBERS THROUGH WITHOUT CUTTING
(2) ORANGE	(8) BLACK	BUFFER SPlice	SPLICE ALL FIBERS IN BUFFER TUBE COLOR TO COLOR
(3) GREEN	(9) YELLOW	EXISTING	EXISTING BUFFER TUBE / FIBERS DO NOT MODIFY EXISTING SPLICES OR EXPRESSED FIBERS.
(4) BROWN	(10) VIOLET		
(5) SLATE	(11) ROSE		
(6) WHITE	(12) AQUA		

- NOTES**
- UNUSED FIBERS LEFT COILED AND STORED IN SPLICE TRAY
 - UNUSED BUFFER TUBES LEFT COILED AND STORED IN SPLICE ENCLOSURE
 - EDGE SWITCH CONFIGURATIONS ARE GENERIC. CONTRACTOR IS RESPONSIBLE FOR DETERMINING/ENSURING THE PROPER TERMINATIONS.

ATKINS

1616 EAST MILLBROOK ROAD, SUITE 160
RALEIGH, NORTH CAROLINA 27609
(919) 876-6888 NCBEE# F-0326

750 Greenfield Parkway, Garner, NC 27529

SCALE: N/A

Burlington-Graham Signal System
Fiber-Optic Splicing Details

Division 7 Alamance County Burlington & Graham

PLAN DATE: June 2018 REVIEWED BY: HA BADGETT

PREPARED BY: BJ SLOCUM REVIEWED BY: DL JONES

REVISIONS	INIT.	DATE

DOCUMENT NOT CONSIDERED FINAL
UNLESS ALL SIGNATURES COMPLETED

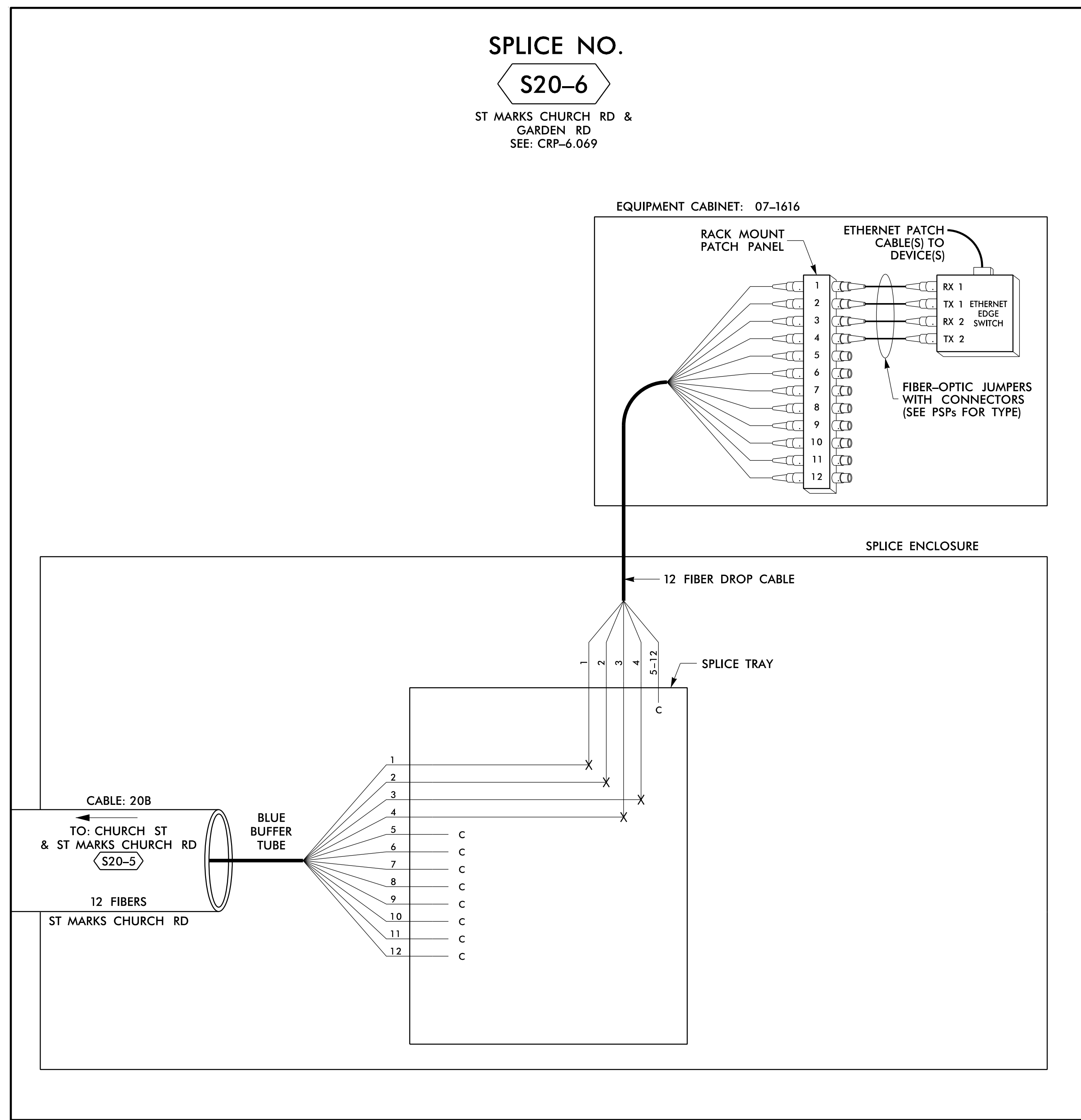
SEAL
NORTH CAROLINA
PROFESSIONAL
ENGINEER
BRADFORD J. SLOCUM
040877
15/2018

CADD File name: FS 4.119.dgn

SPLICE NO.

S20-6

ST MARKS CHURCH RD &
GARDEN RD
SEE: CRP-6.069



14 JUN 2018 12:31
 D:\Technical\Projects\U-6015 B-C Sig Sys\Task 11_Comms\FS 4.120.dgn
 S:\DCS\653 AT_LUS355433

LEGEND

COLOR CODE TIA/EIA 598-B		X = FUSION SPlice INDIVIDUAL FIBER
(1) BLUE	(7) RED	C = CAP AND SEAL
(2) ORANGE	(8) BLACK	
(3) GREEN	(9) YELLOW	
(4) BROWN	(10) VIOLET	EXPRESS EXPRESS ENTIRE BUFFER TUBE / FIBERS THROUGH WITHOUT CUTTING
(5) SLATE	(11) ROSE	BUFFER SPlice SPlice ALL FIBERS IN BUFFER TUBE COLOR TO COLOR
(6) WHITE	(12) AQUA	EXISTING EXISTING BUFFER TUBE / FIBERS DO NOT MODIFY EXISTING SPlices OR EXPRESSED FIBERS.

NOTES

- UNUSED FIBERS LEFT COILED AND STORED IN SPLICE TRAY
- UNUSED BUFFER TUBES LEFT COILED AND STORED IN SPLICE ENCLOSURE
- EDGE SWITCH CONFIGURATIONS ARE GENERIC. CONTRACTOR IS RESPONSIBLE FOR DETERMINING/ENSURING THE PROPER TERMINATIONS.

ATKINS 1616 EAST MILLBROOK ROAD, SUITE 160
RALEIGH, NORTH CAROLINA 27609
(919) 876-6888 NCBEEES #F-0326

DOCUMENT NOT CONSIDERED FINAL UNLESS ALL SIGNATURES COMPLETED

	Burlington-Graham Signal System Fiber-Optic Splicing Details		
	Division 7 Alamance County	Burlington & Graham	
PLAN DATE: June 2018	REVIEWED BY: HA BADGETT	PREPARED BY: BJ SLOCUM	
SCALE: N/A	REVISIONS	INIT.	DATE
CAD00 File name: FS 4.120.dgn			