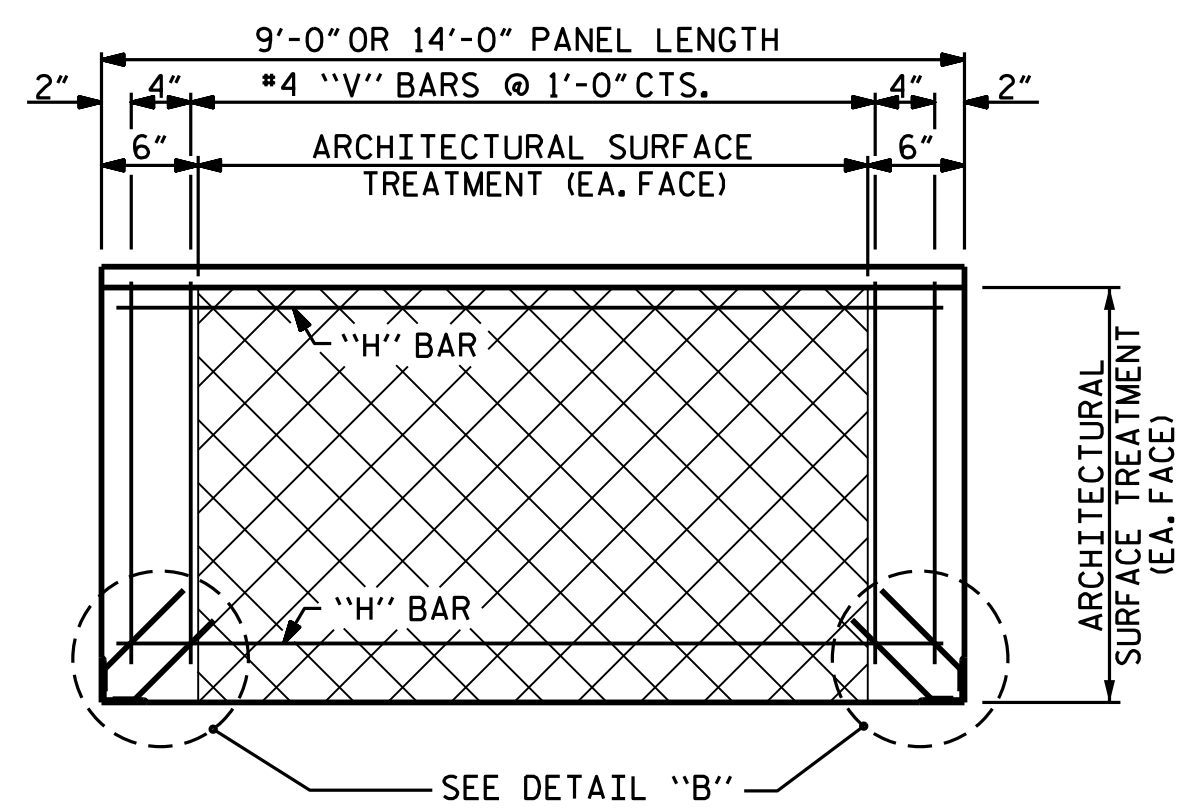


FRONT ELEVATION OF UPPER PRECAST PANEL



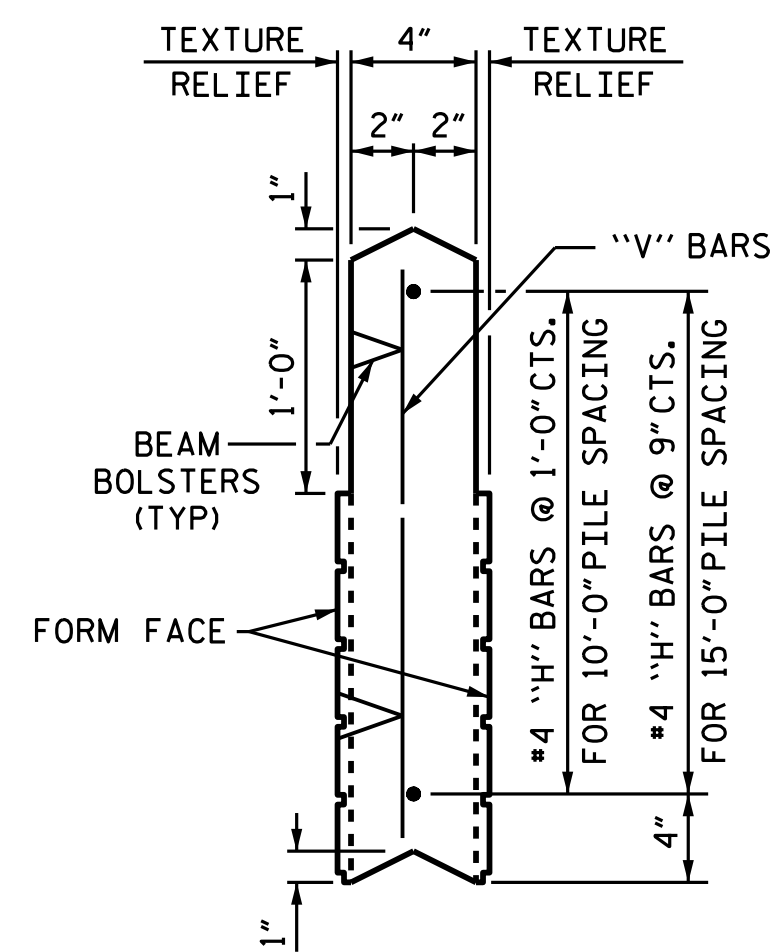
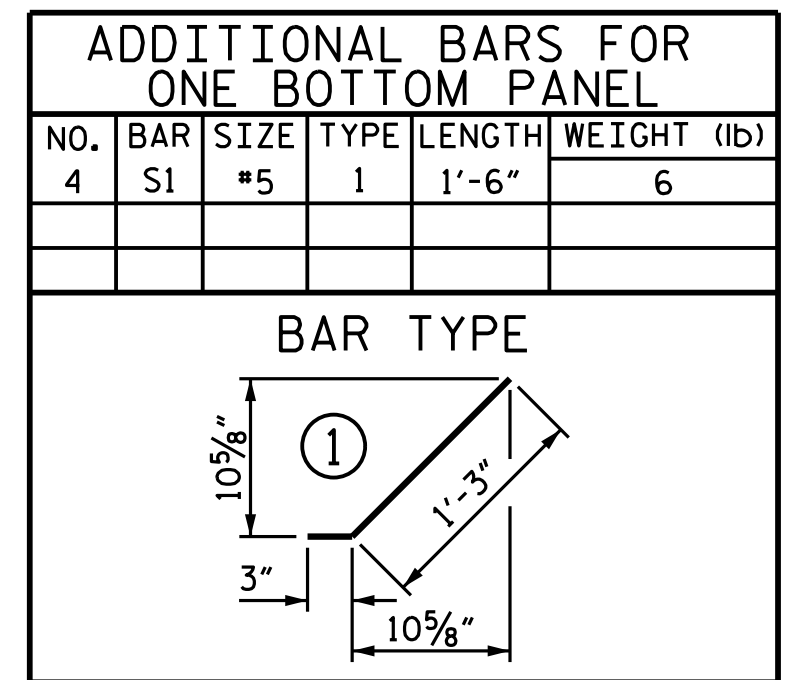
FRONT ELEVATION OF BOTTOM PRECAST PANEL

QUANTITIES FOR ONE PRECAST PANEL (FOR 10'-0" PILE SPACING)

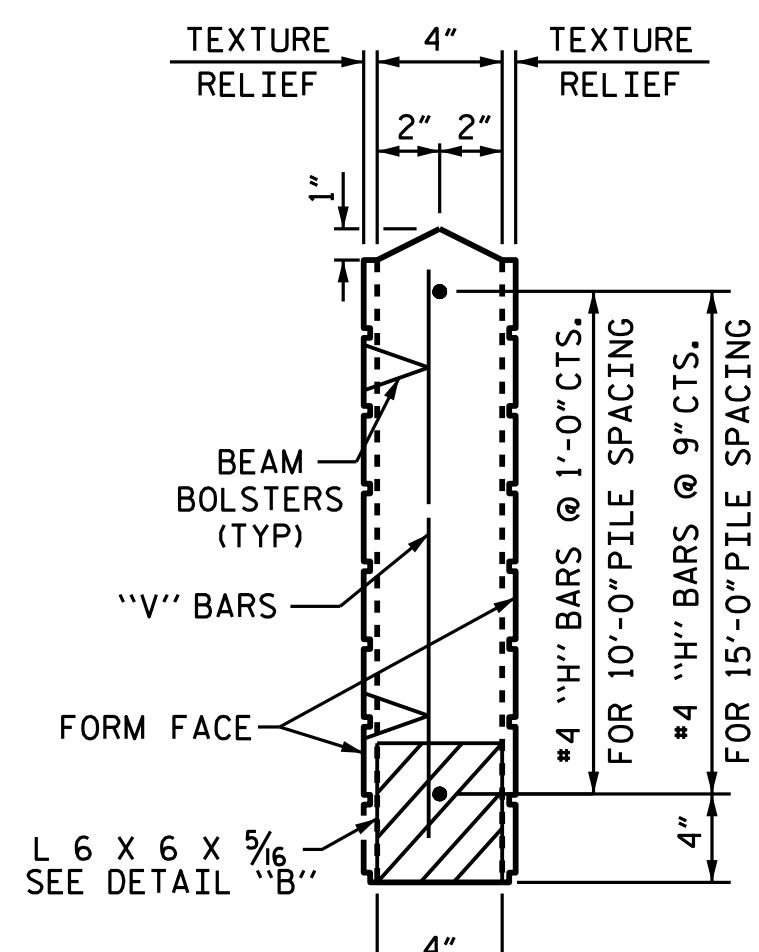
PANEL HEIGHT	CLASS AA CONCRETE C.Y.	BAR TYPES											
		HORIZONTAL						VERTICAL					
		NO.	BAR	SIZE	TYPE	LENGTH	WEIGHT (lb)	NO.	BAR	SIZE	TYPE	LENGTH	WEIGHT (lb)
2'-0"	0.22	3	H1	#4	STR	8'-8"	17	11	V1	#4	STR	1'-8"	12
3'-0"	0.33	4	H2	#4	STR	8'-8"	23	11	V2	#4	STR	2'-8"	20
4'-0"	0.44	5	H3	#4	STR	8'-8"	29	11	V3	#4	STR	3'-8"	27

QUANTITIES FOR ONE PRECAST PANEL (FOR 15'-0" PILE SPACING)

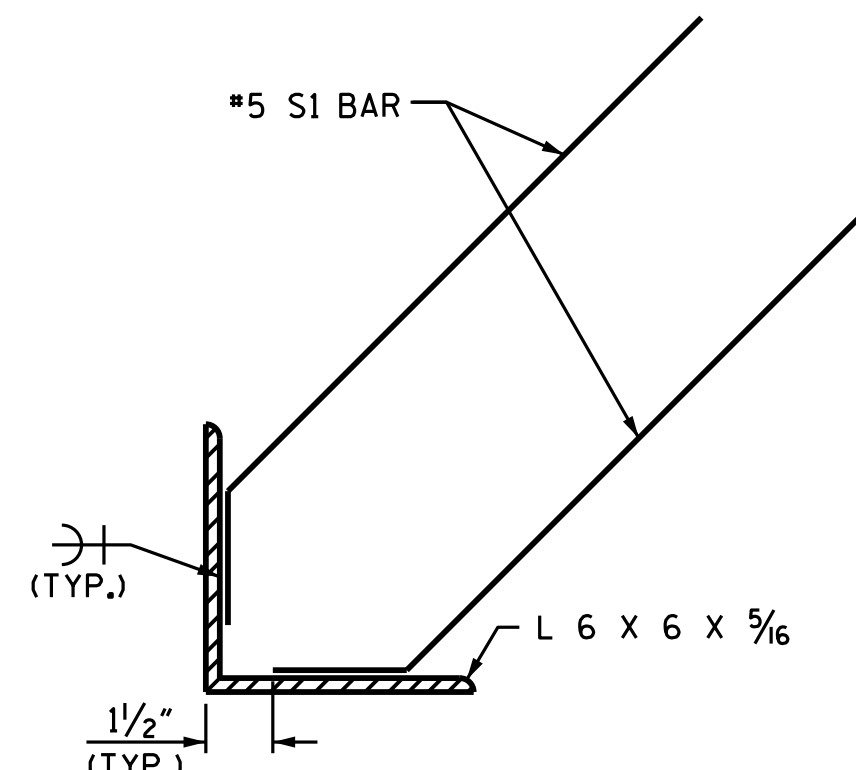
PANEL HEIGHT	CLASS AA CONCRETE C.Y.	BAR TYPES											
		HORIZONTAL						VERTICAL					
		NO.	BAR	SIZE	TYPE	LENGTH	WEIGHT (lb)	NO.	BAR	SIZE	TYPE	LENGTH	WEIGHT (lb)
3'-0"	0.52	5	H1	#4	STR	13'-8"	46	16	V1	#4	STR	2'-8"	29
4'-0"	0.69	6	H2	#4	STR	13'-8"	55	16	V2	#4	STR	3'-8"	39
5'-0"	0.86	7	H3	#4	STR	13'-8"	64	16	V3	#4	STR	4'-8"	50
6'-0"	1.04	8	H4	#4	STR	13'-8"	73	16	V4	#4	STR	5'-8"	61



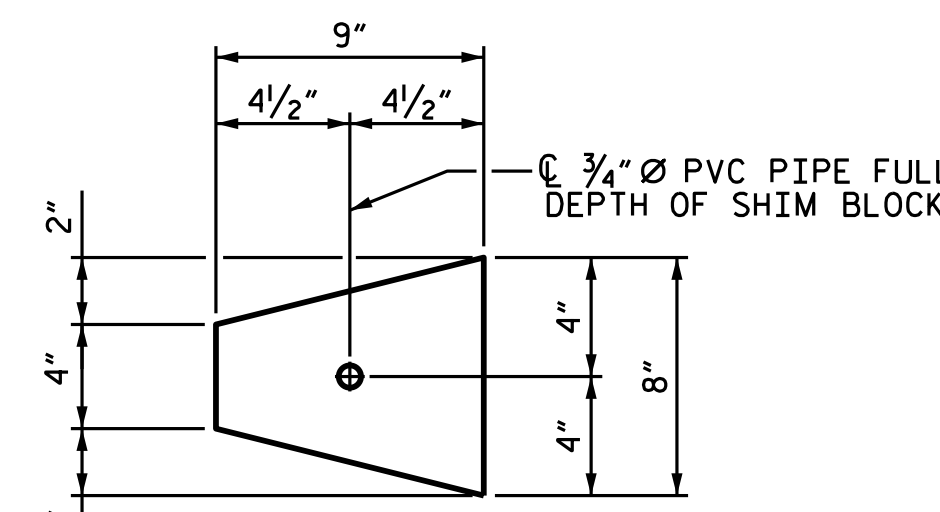
UPPER PANEL



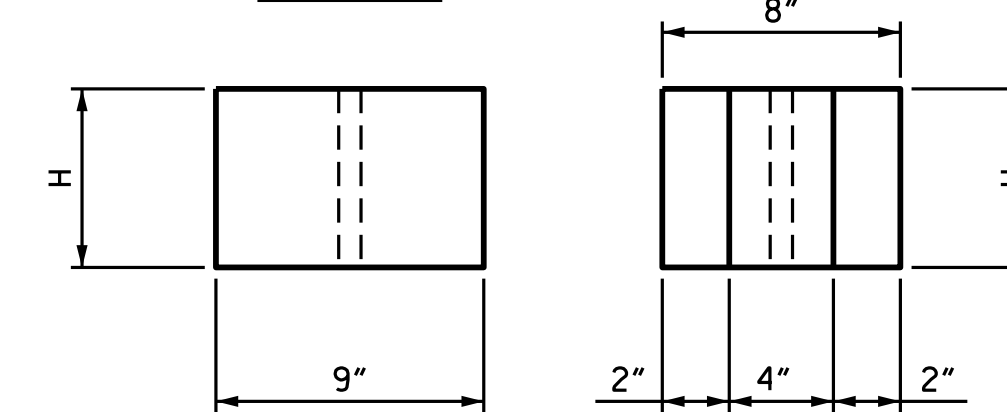
BOTTOM PANEL



DETAIL "B"



PLAN

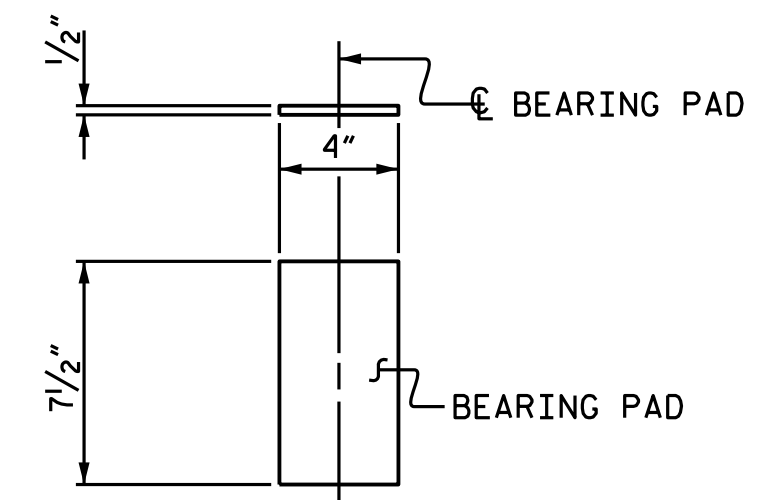


ELEVATION

END

CONCRETE SHIM BLOCK

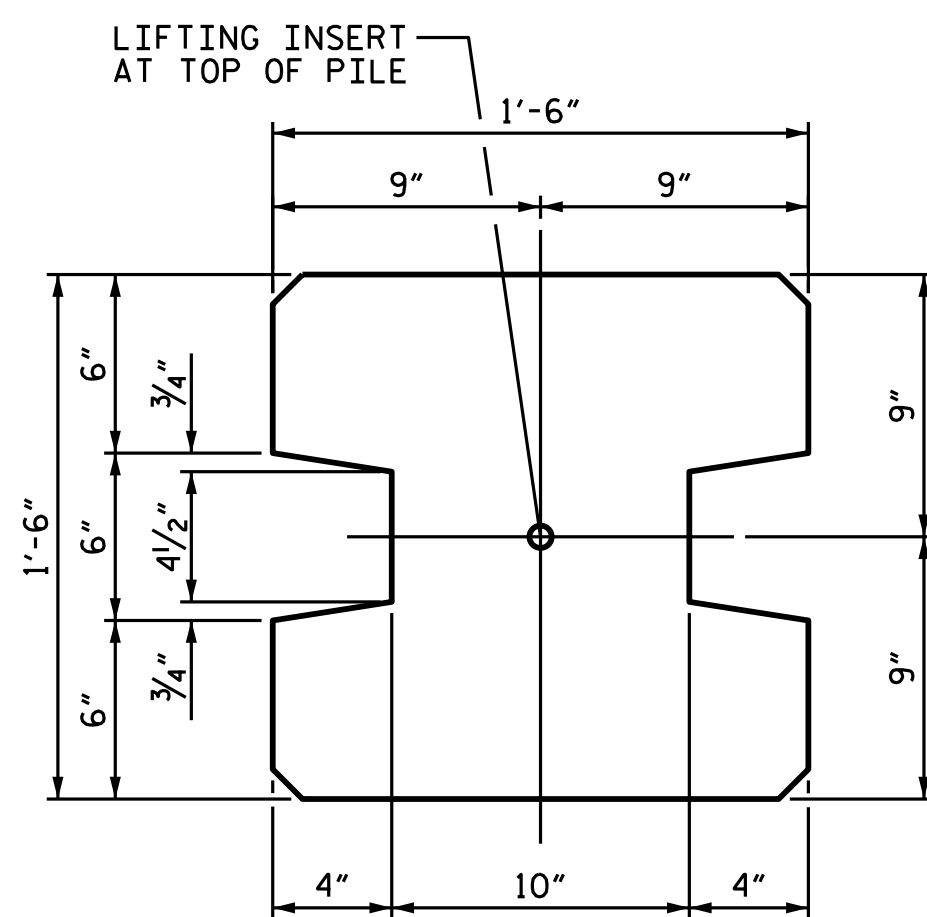
H = 3', 6" or 1'-0"



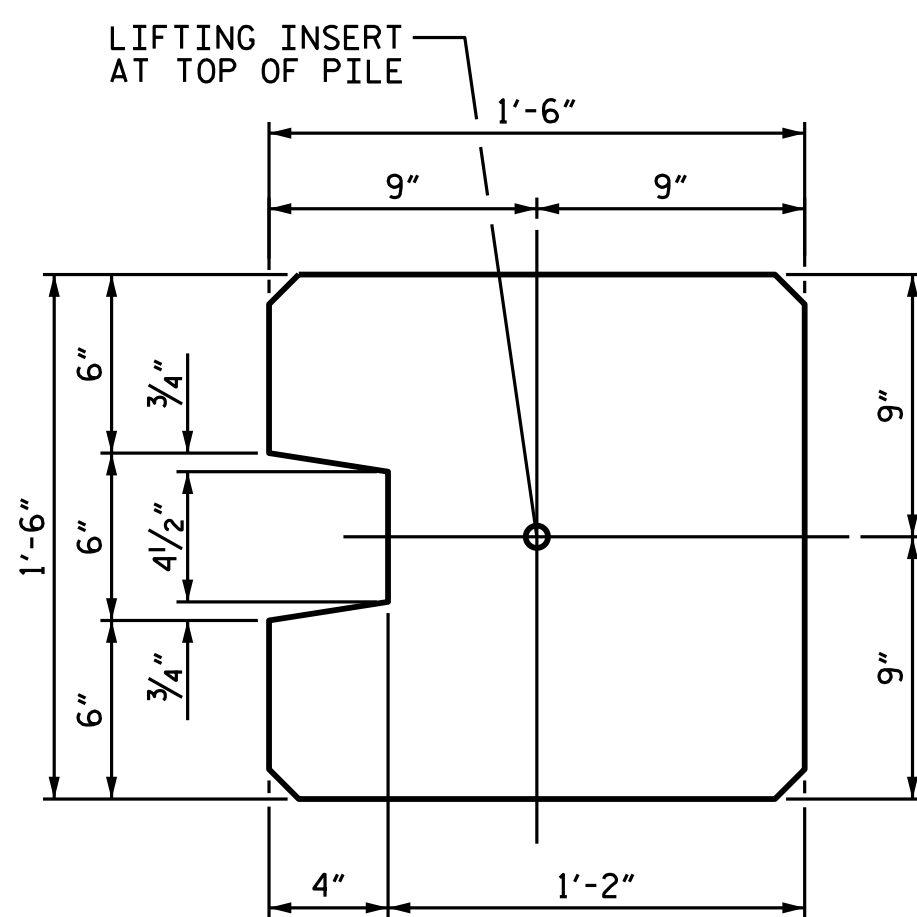
ELASTOMERIC BEARING DETAILS

ELASTOMER IN BEARINGS SHALL BE 50 DUROMETER HARDNESS.

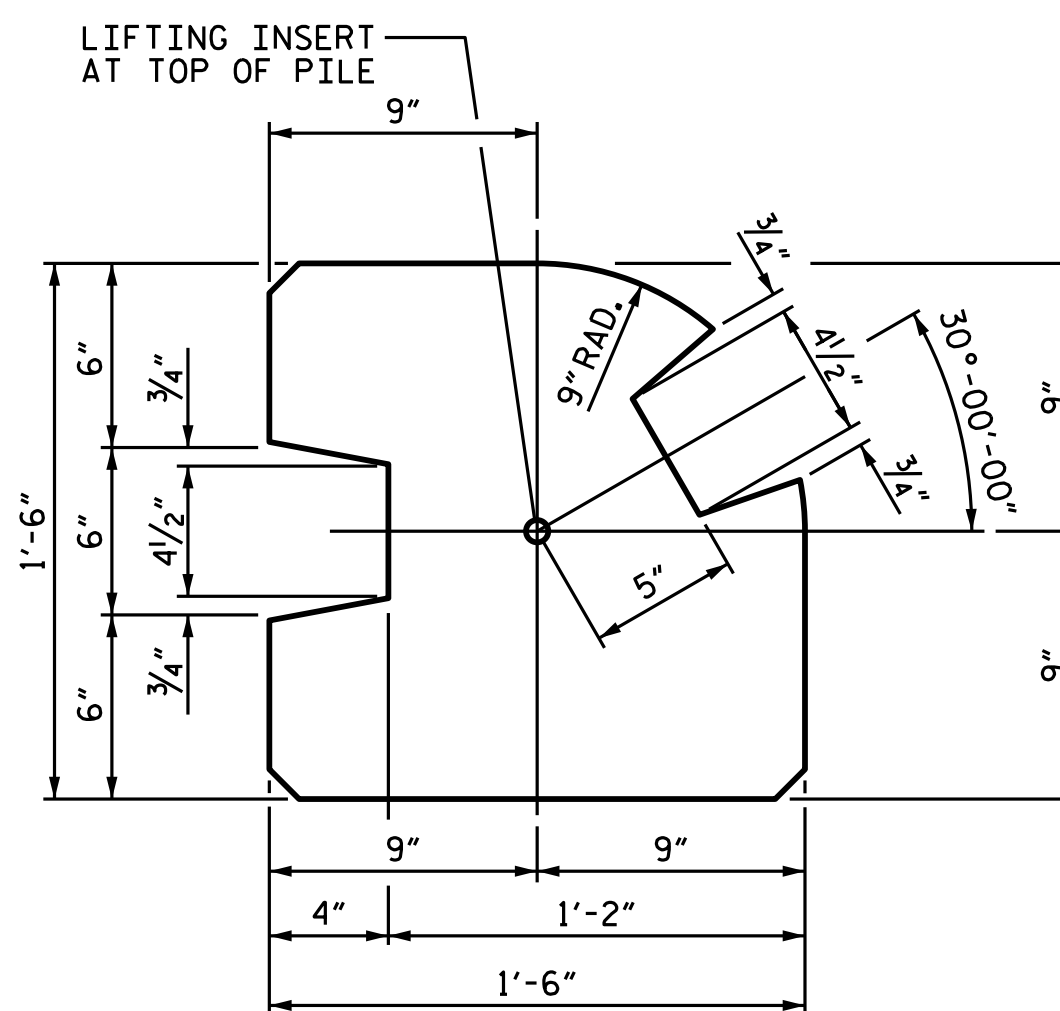
SECTION THROUGH PRECAST PANELS



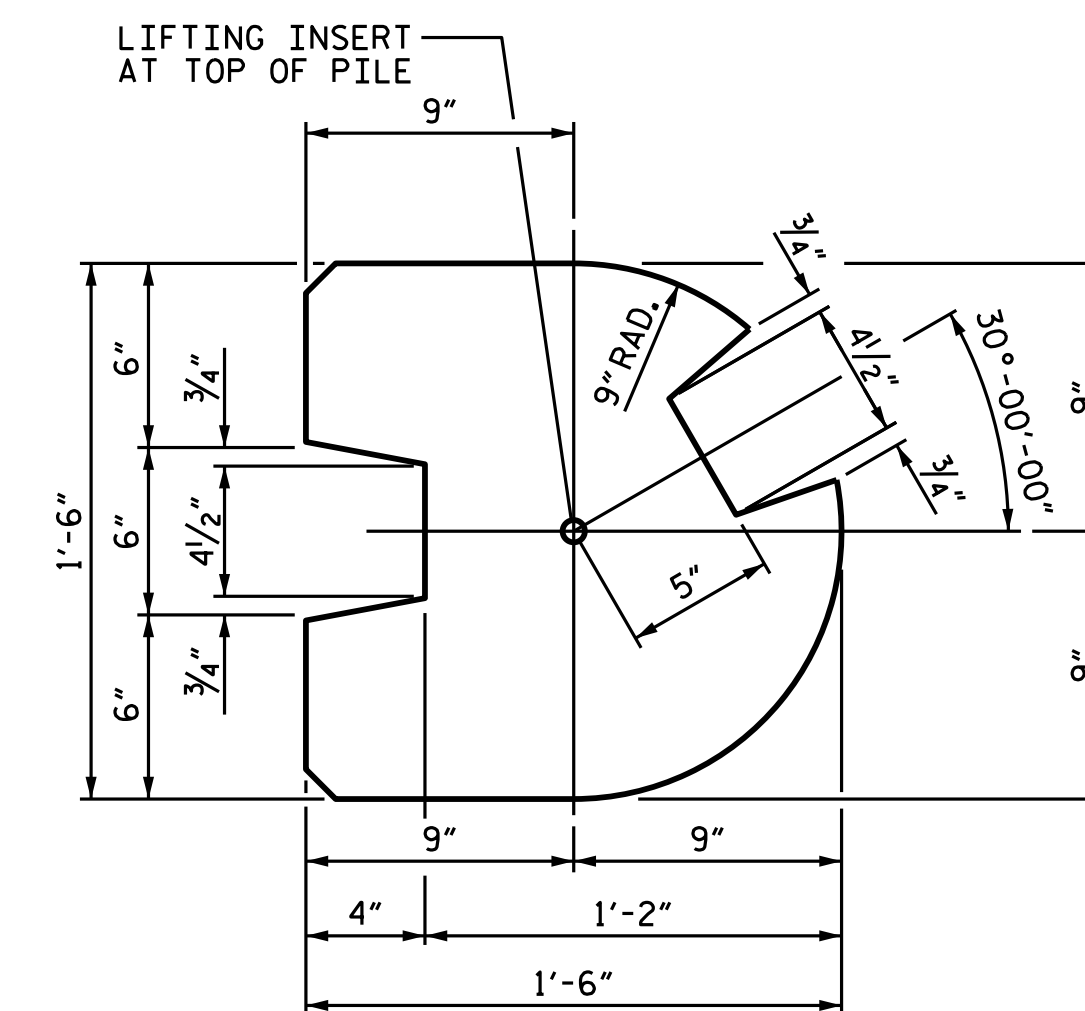
TYPE - I
(AREA = 1.9444 SO. FT.)



TYPE - II
(AREA = 2.0903 SO. FT.)



TYPE - III
(AREA = 1.8336 SO. FT.)



TYPE - III (ALT.)
(AREA = 1.7163 SO. FT.)

PILE DETAIL

(ALL CORNERS TO BE CHAMFERED 1")

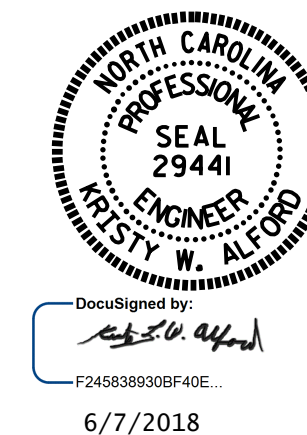
ASSEMBLED BY : K.W. ALFORD	DATE : 6/18
CHECKED BY : G.W. DICKEY	DATE : 6/18
DRAWN BY : MAA 6/11	REV. 1/15/14 RWW/TMG
CHECKED BY : CM 6/11	REV. 10/17 MAA/THC
	REV. 5/18 MAA/THC

07-JUN-2018 07:41
A:\Structures\Plans\U4405.SMU.SBW.dgn
kalford

PROJECT NO. U-4405
CUMBERLAND COUNTY
STATION: 10+00.00 -NW1-

SHEET 2 OF 3

STATE OF NORTH CAROLINA
DEPARTMENT OF TRANSPORTATION
RALEIGH
STANDARD
SOUND BARRIER WALL
DETAILS



6/7/2018

DOCUMENT NOT CONSIDERED
FINAL UNLESS ALL
SIGNATURES COMPLETED

REVISIONS						SHEET NO.
NO.	BY:	DATE:	NO.	BY:	DATE:	SBW-2
1			3			TOTAL SHEETS
2			4			3

STD. NO. SBW2