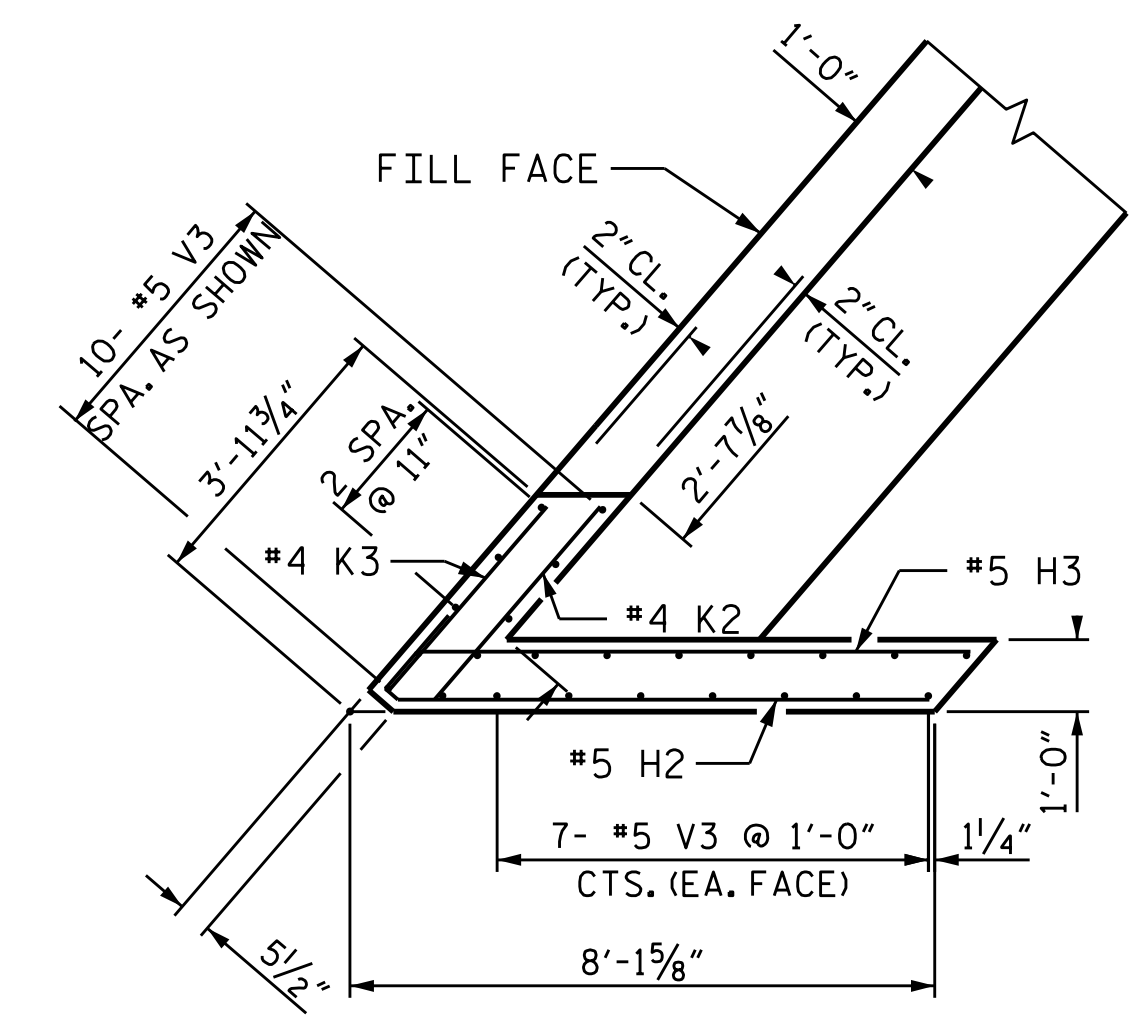
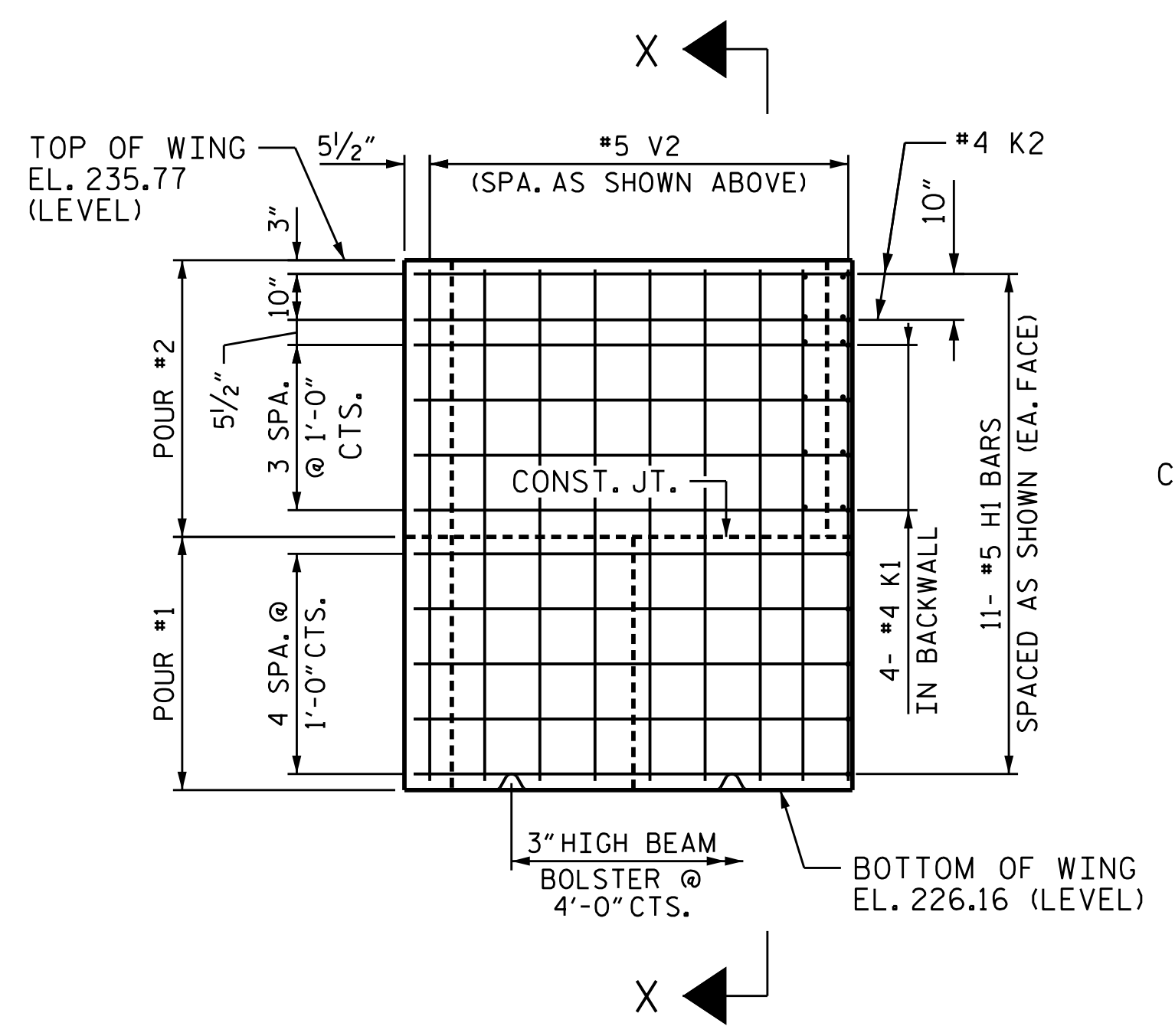


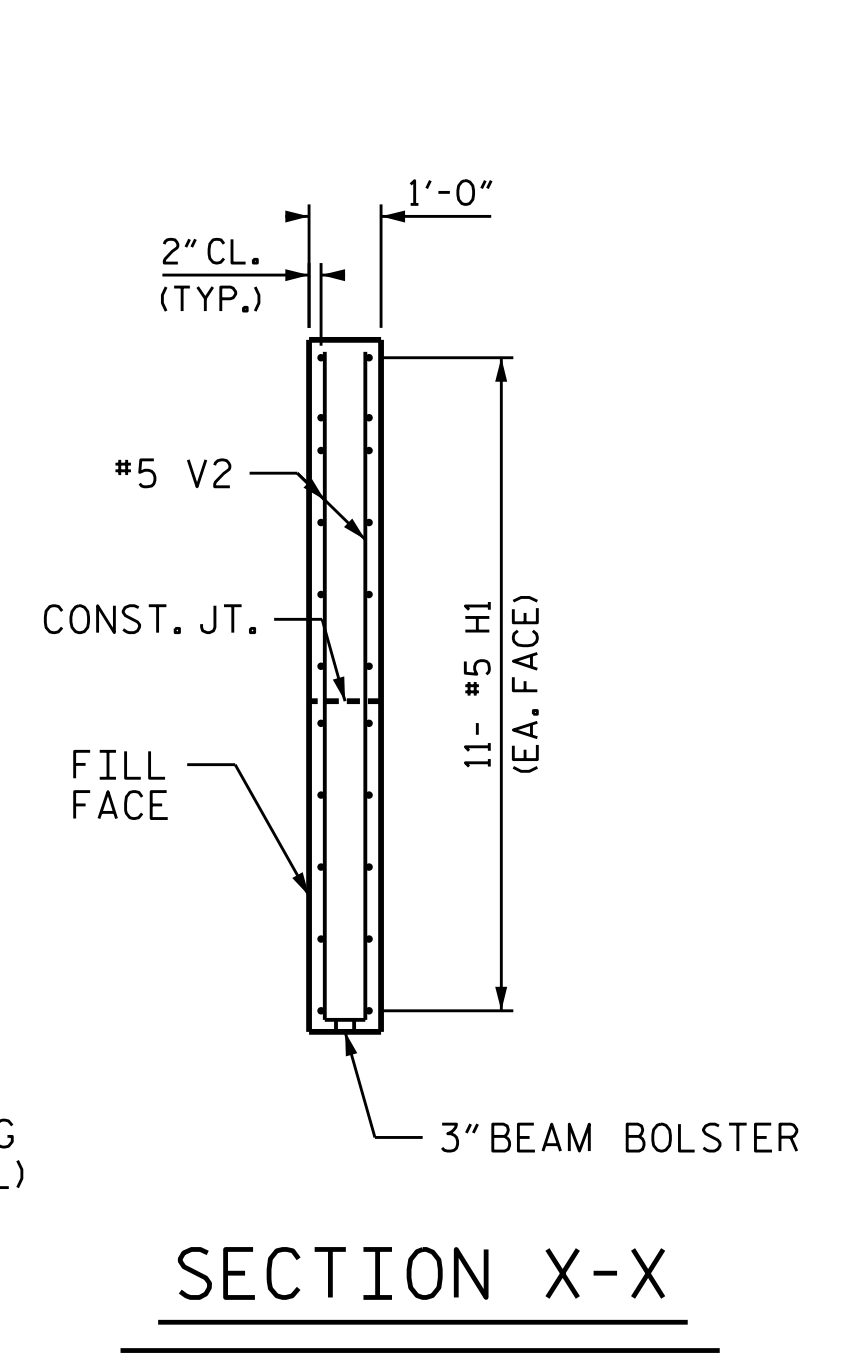
PLAN OF WING W1



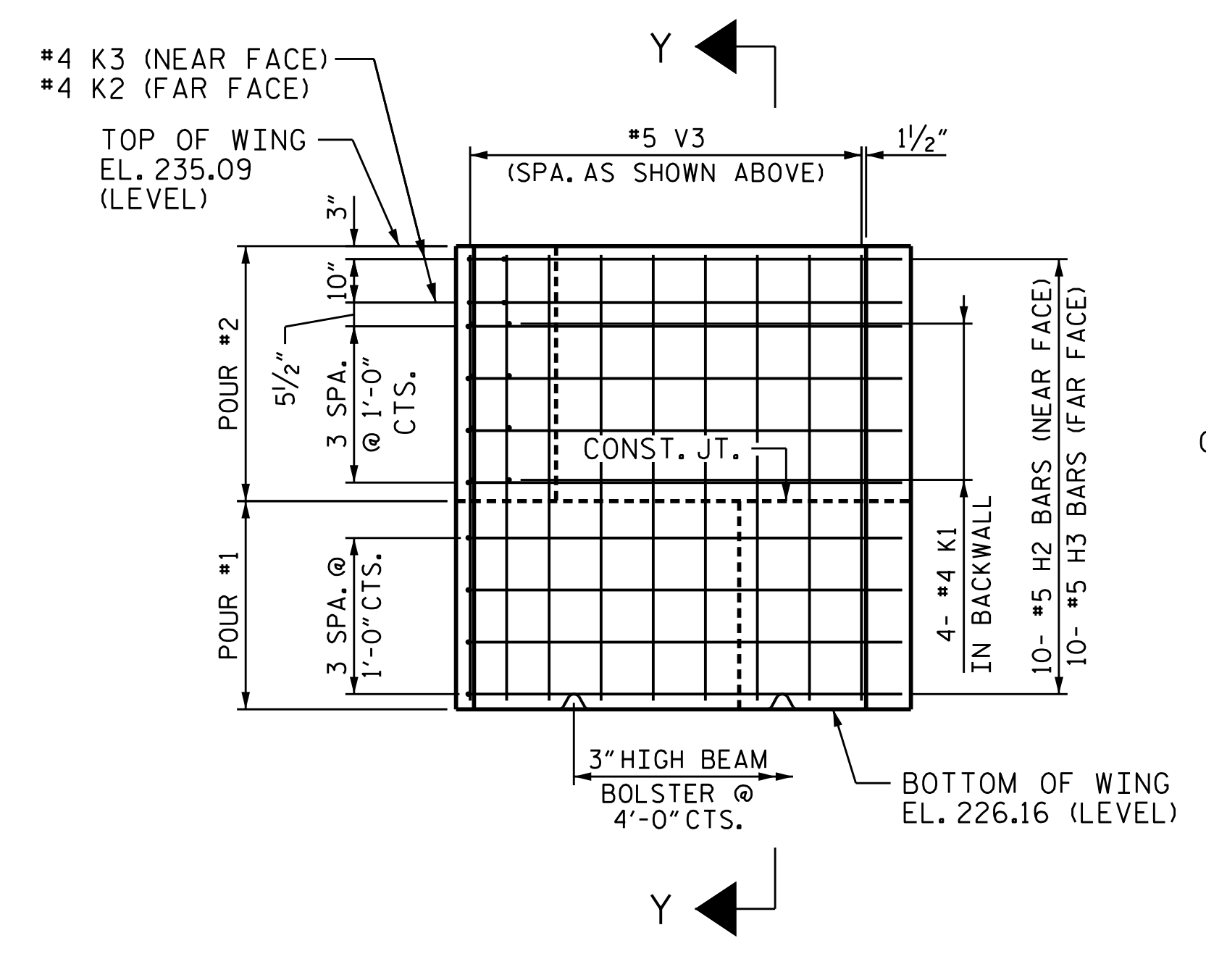
PLAN OF WING W2



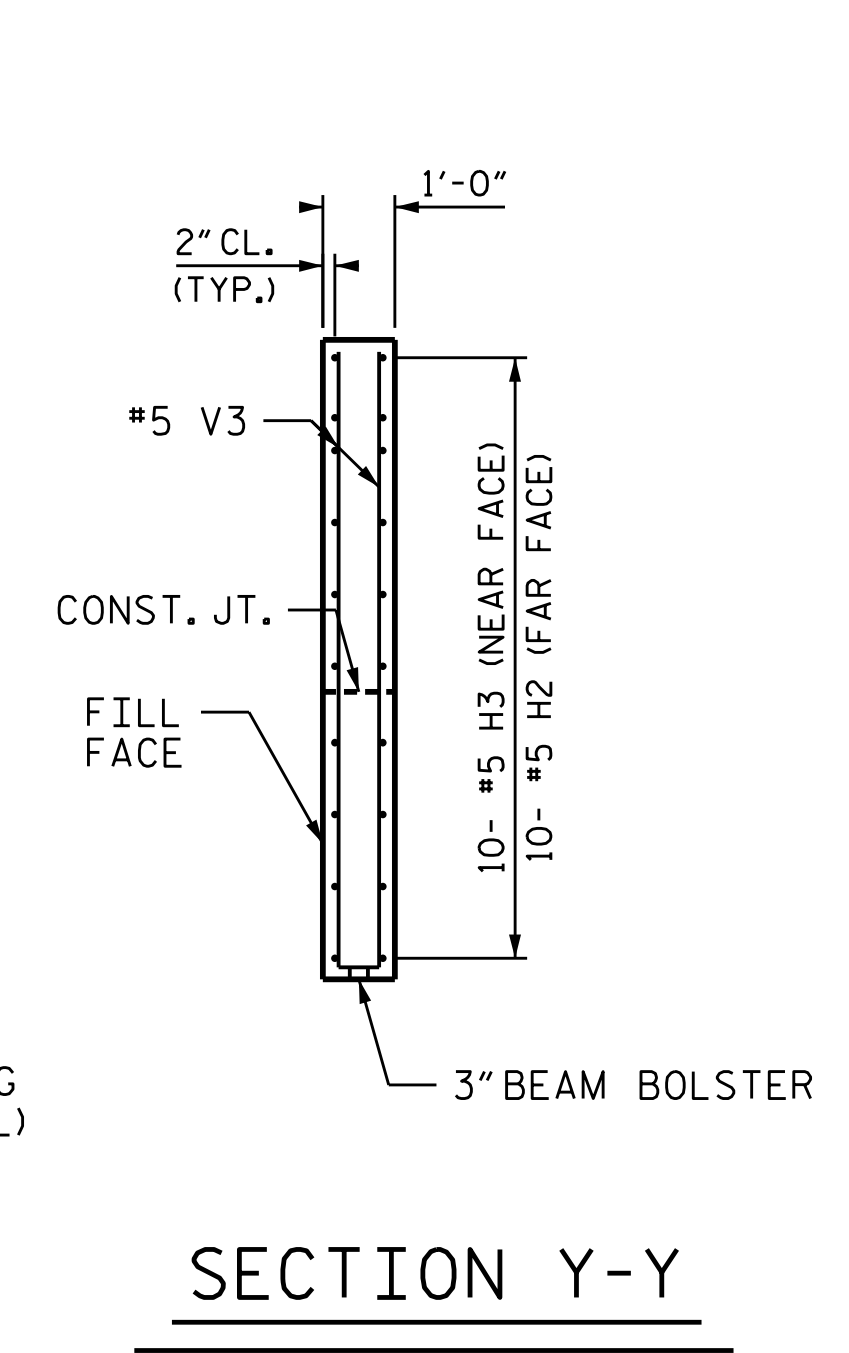
ELEVATION OF WING W1



SECTION X-X



ELEVATION OF WING W2



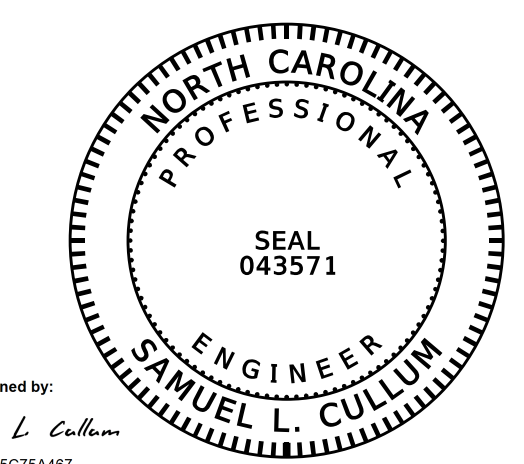
SECTION Y-Y

PROJECT NO. U-4405  
 CUMBERLAND COUNTY  
 STATION: 26+78.00 -RPB-

SHEET 2 OF 3

STATE OF NORTH CAROLINA  
 DEPARTMENT OF TRANSPORTATION  
 RALEIGH

SUBSTRUCTURE  
 END BENT #1



6/6/2018 12:30:46 PM PDT

**KCA** 4800 SIX FORKS ROAD SUITE 120  
 KISINGER CAMPO & ASSOCIATES RALEIGH, NC 27609  
 (919) 882-7839

DRAWN BY :	J. B. HANNA	DATE :	05-17
CHECKED BY :	S. BOYD	DATE :	05-17
DESIGN ENGINEER OF RECORD:	S. CULLUM	DATE :	05-17

DOCUMENT NOT CONSIDERED  
 FINAL UNLESS ALL  
 SIGNATURES COMPLETED

REVISIONS						SHEET NO.
NO.	BY:	DATE:	NO.	BY:	DATE:	S-18
1			3			TOTAL SHEETS
2			4			26