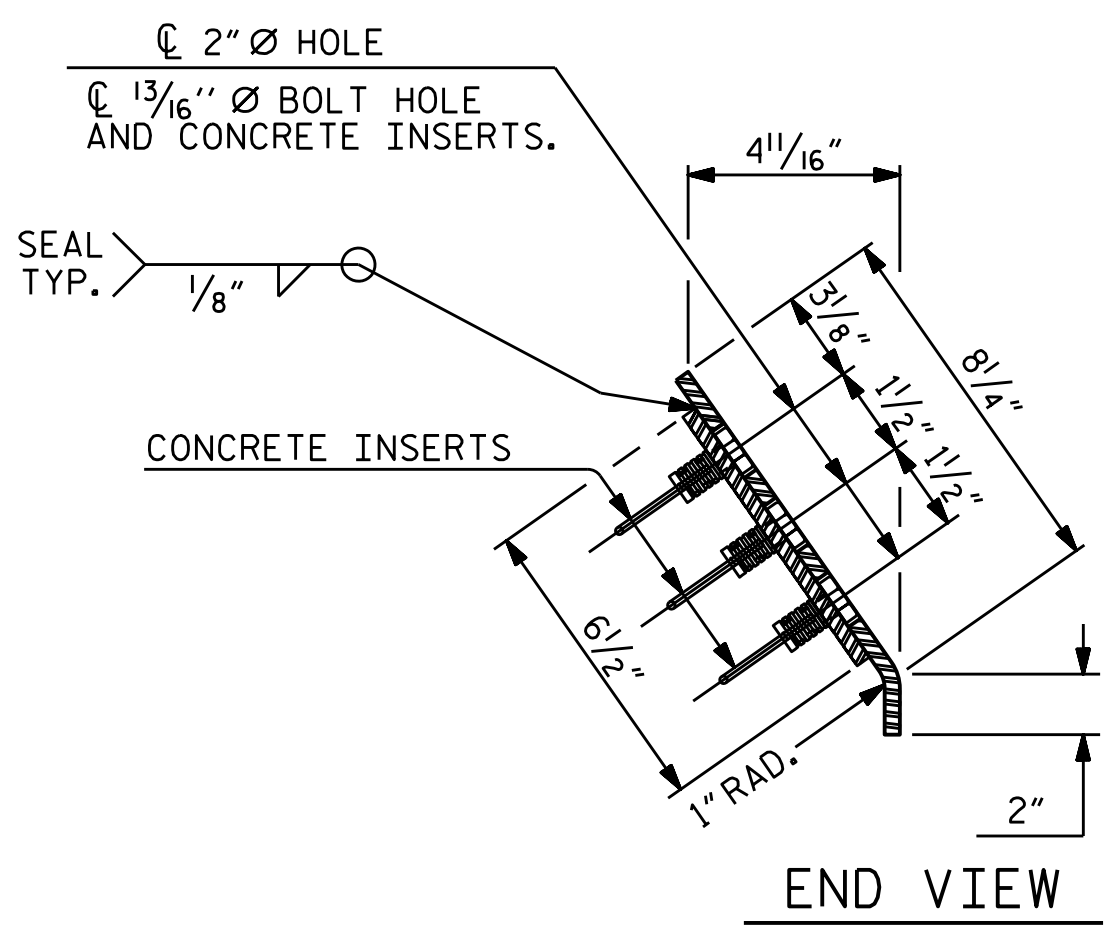
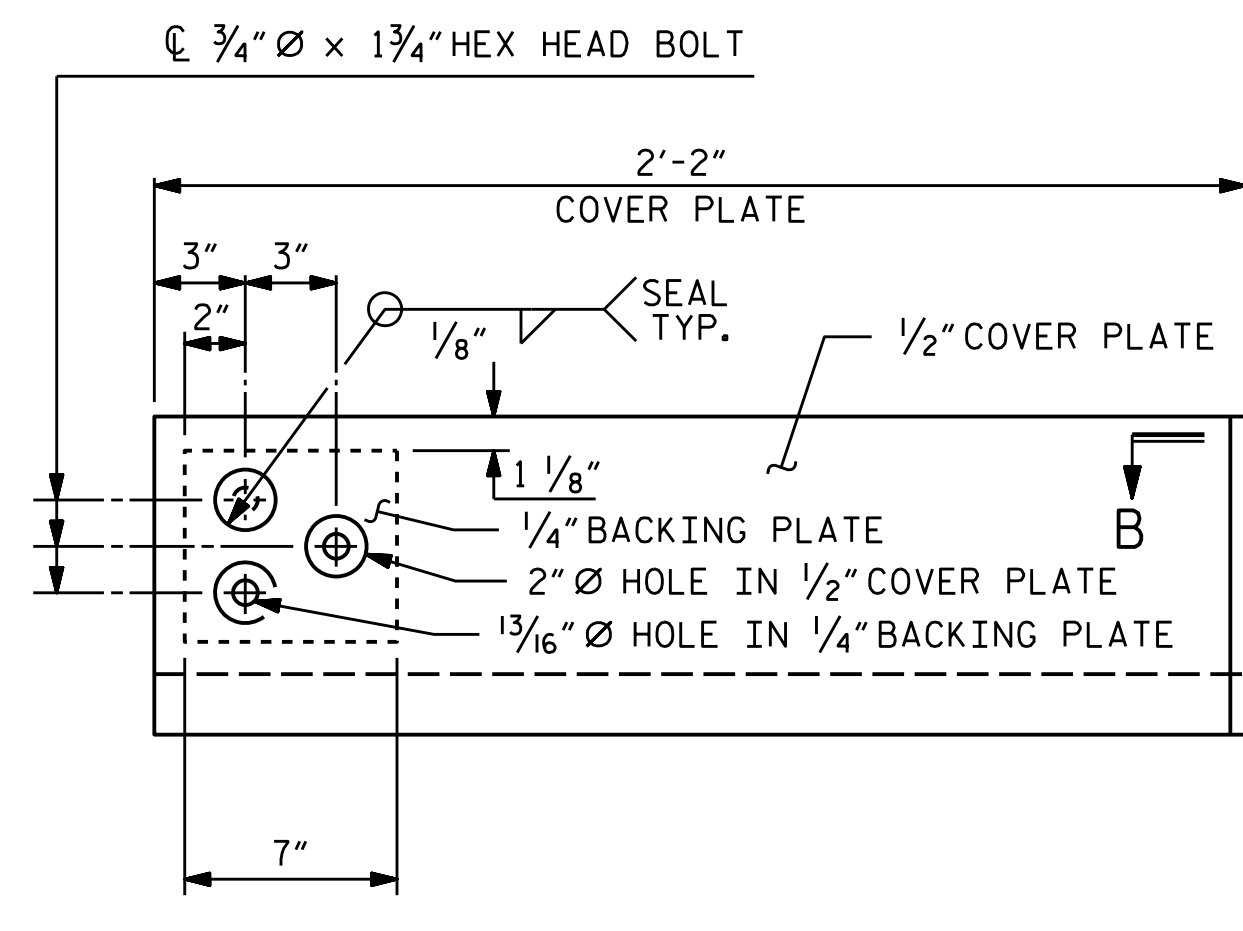


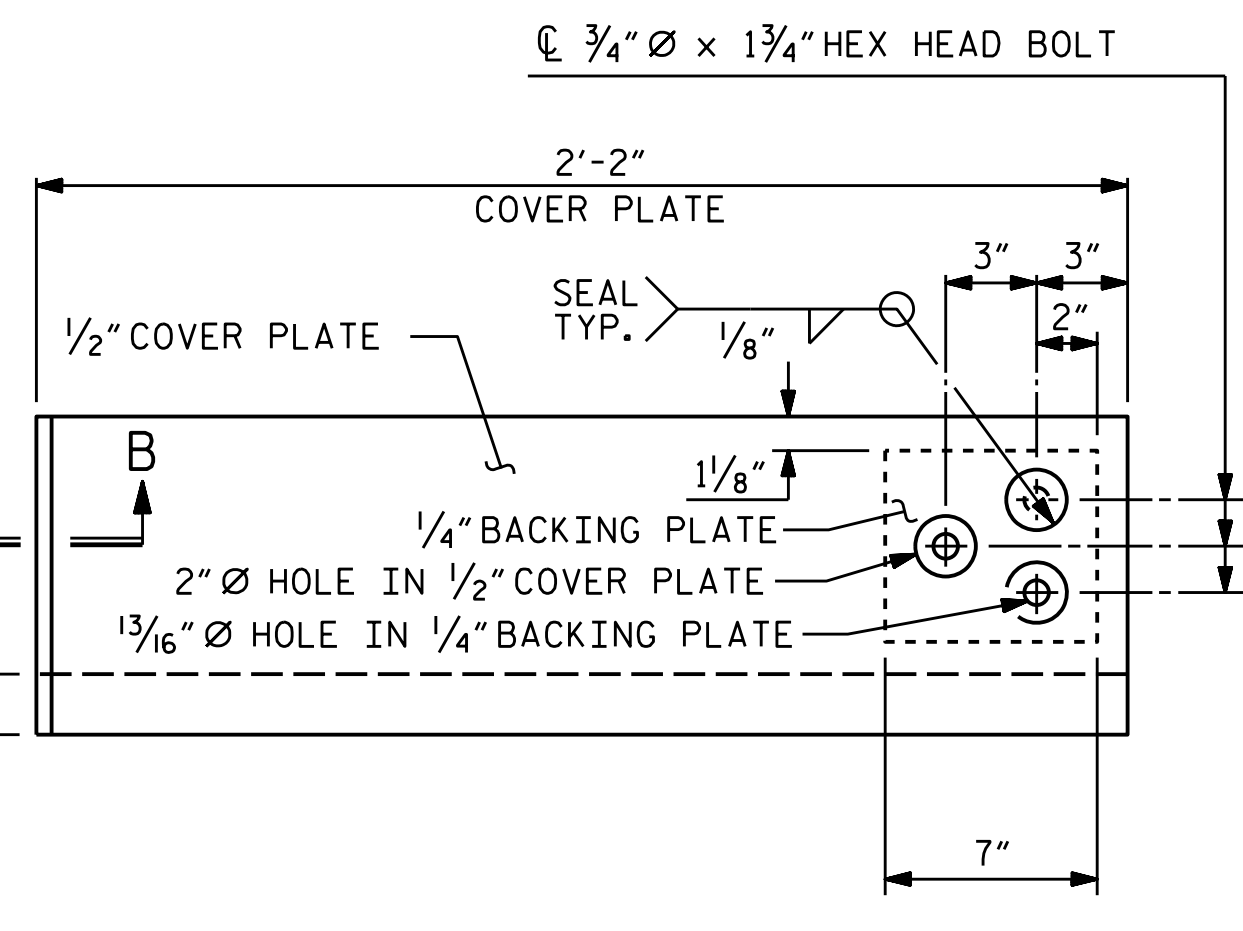
SECTION THRU RAIL NORMAL TO JOINT



END VIEW

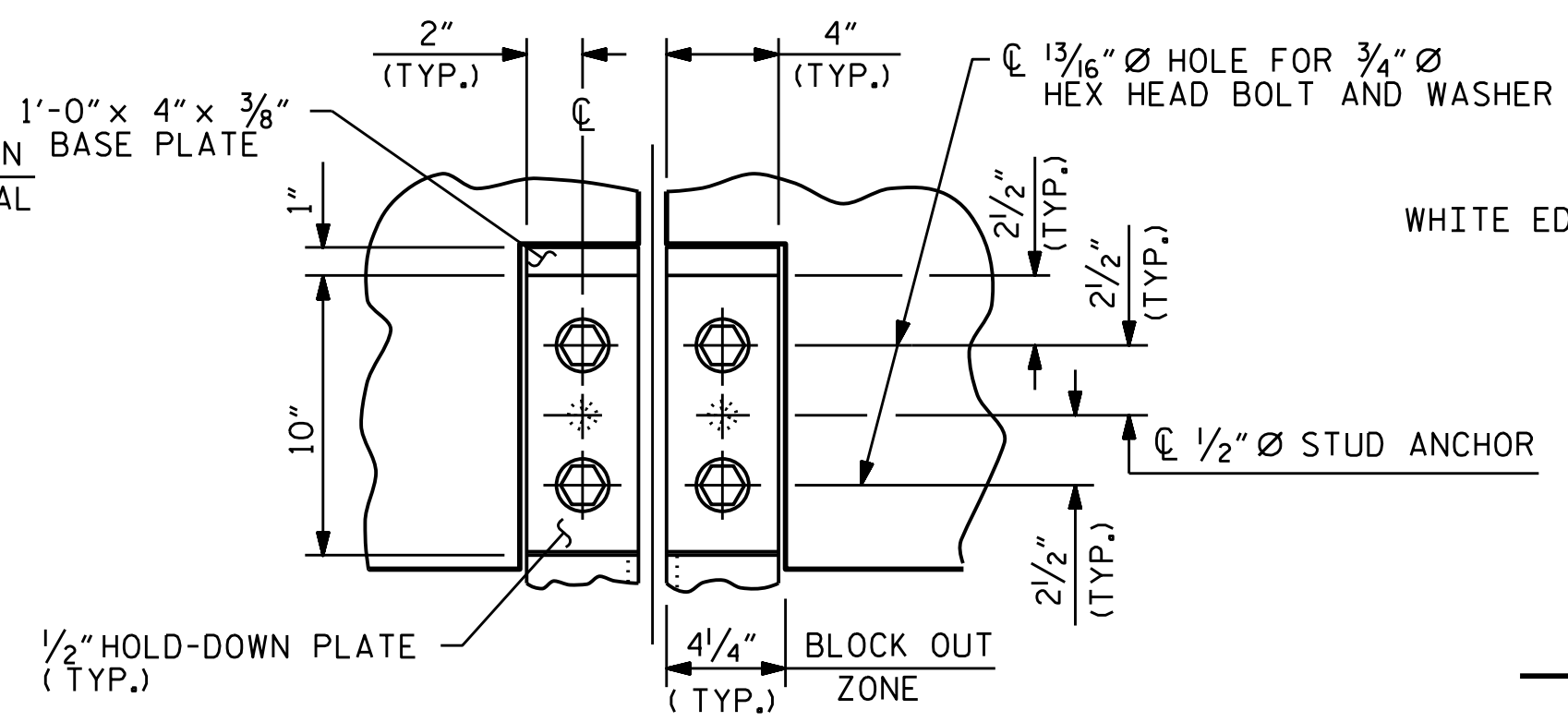


TYPE I - ELEVATION VIEW

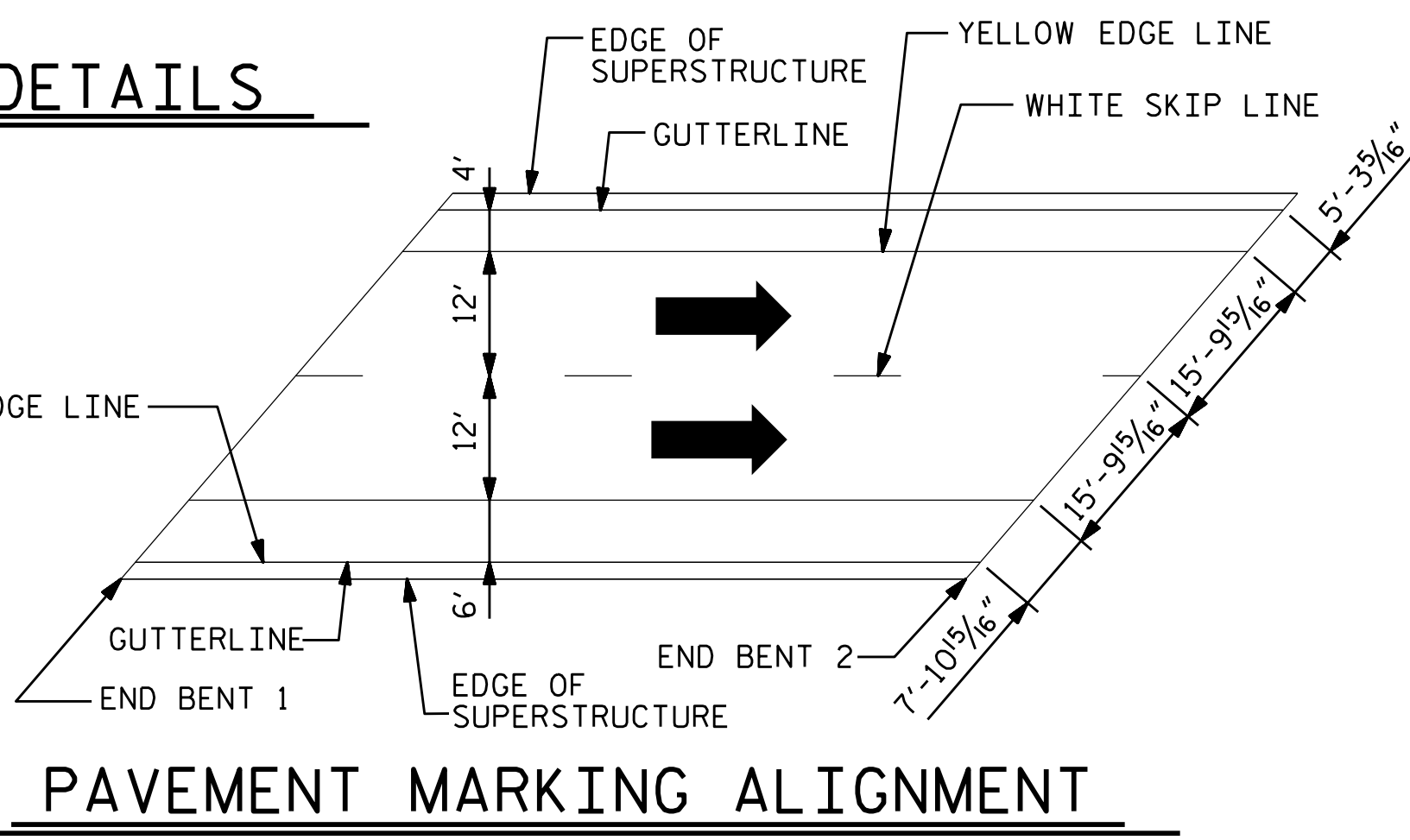


TYPE II - ELEVATION VIEW

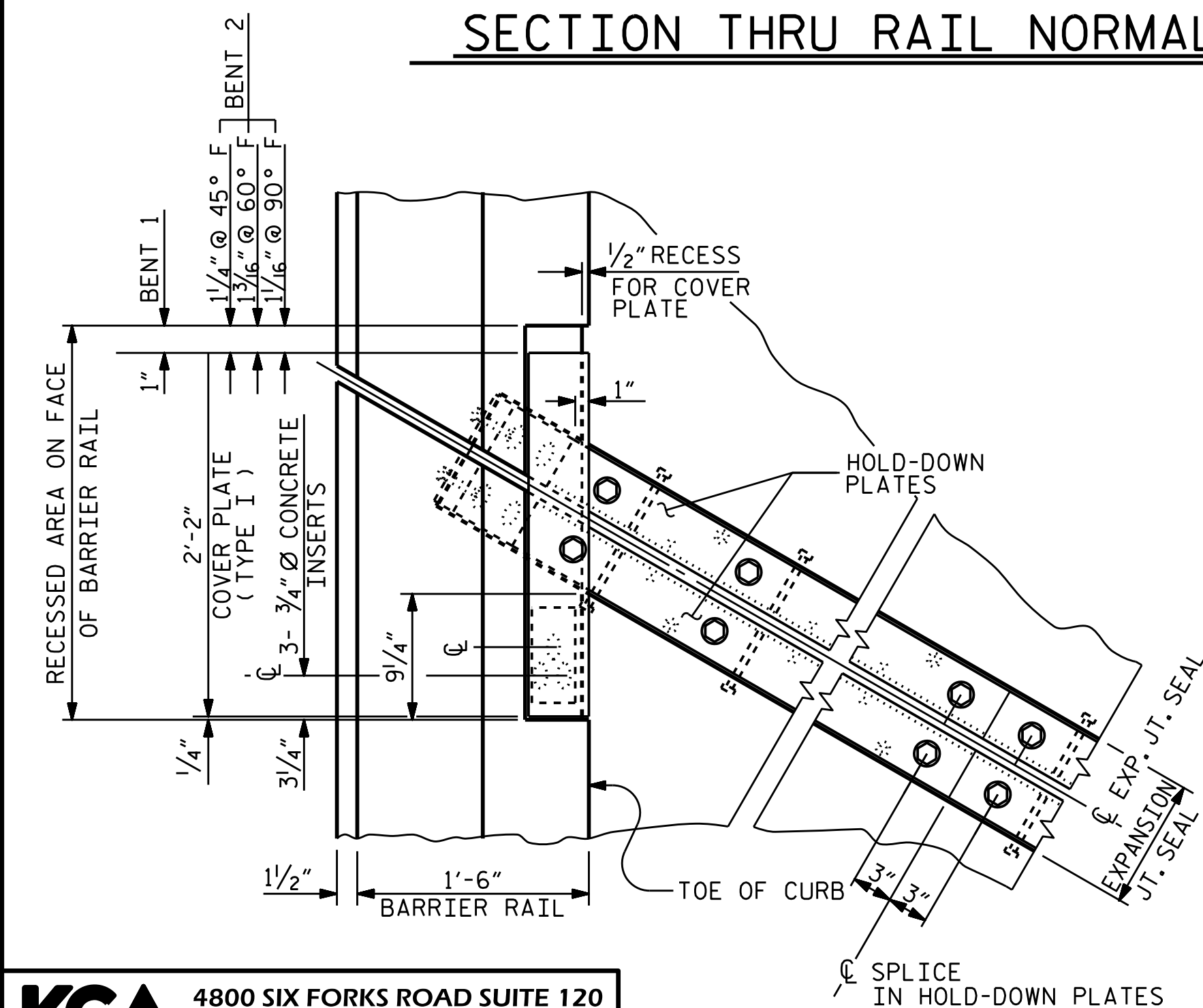
COVER PLATE DETAILS



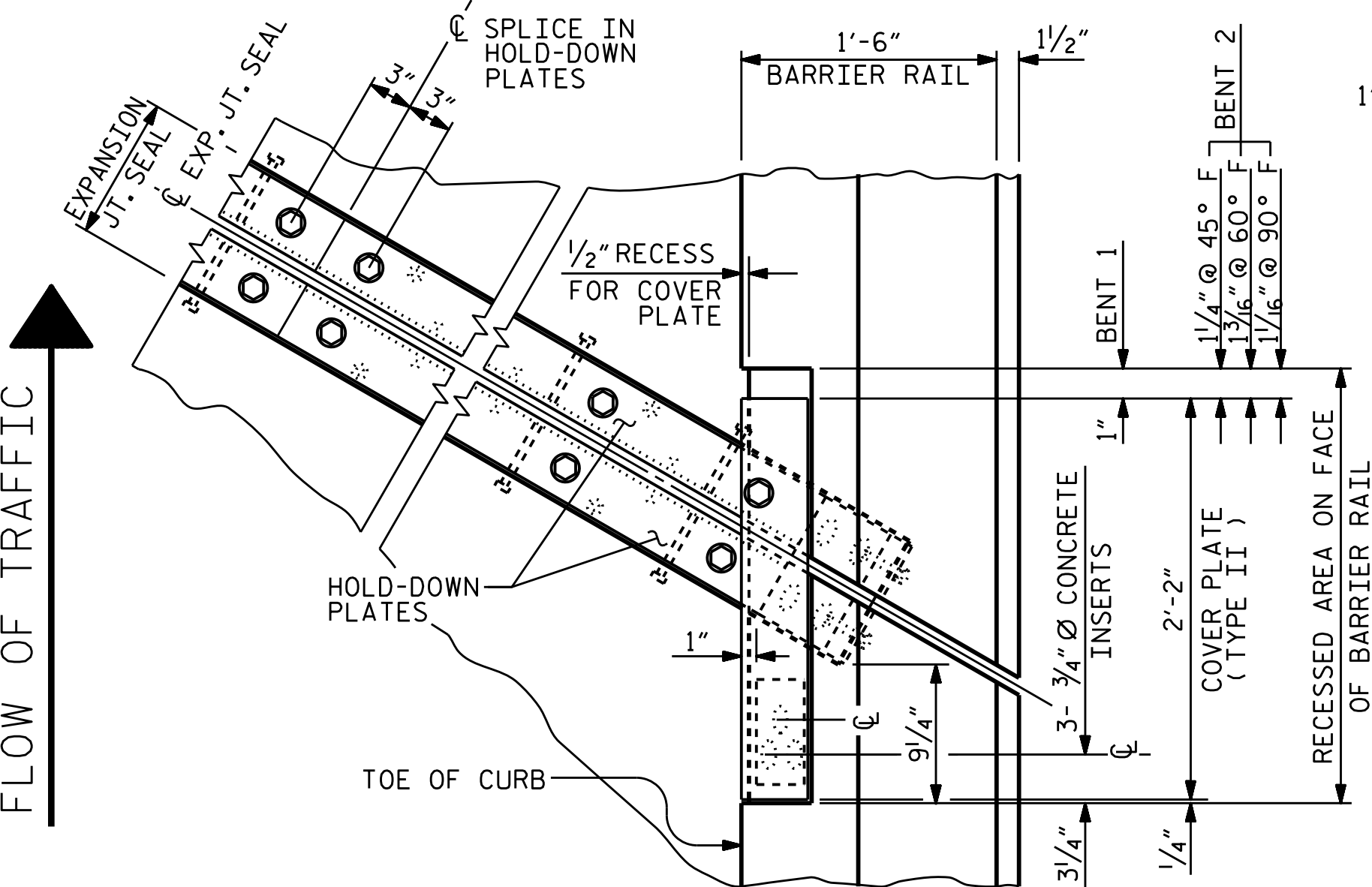
SECTION A - A



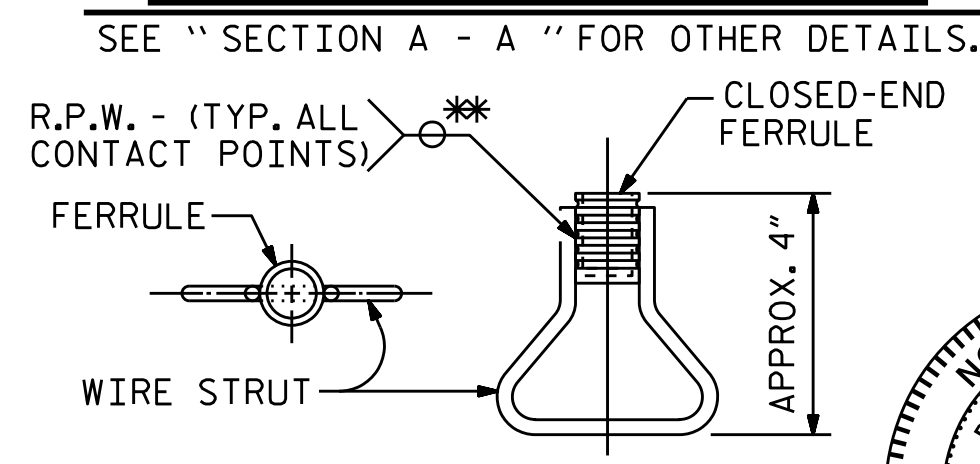
PAVEMENT MARKING ALIGNMENT



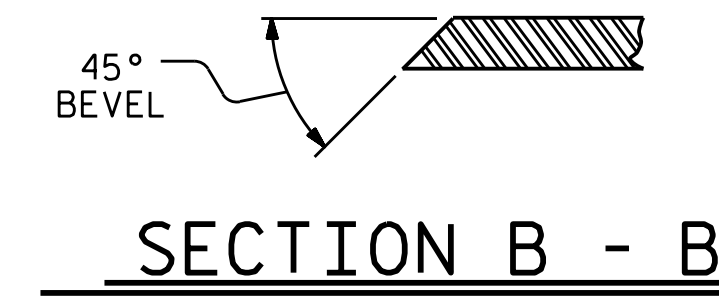
PLAN OF EXPANSION JOINT SEAL



BLOCK OUT DETAIL



CONCRETE INSERT

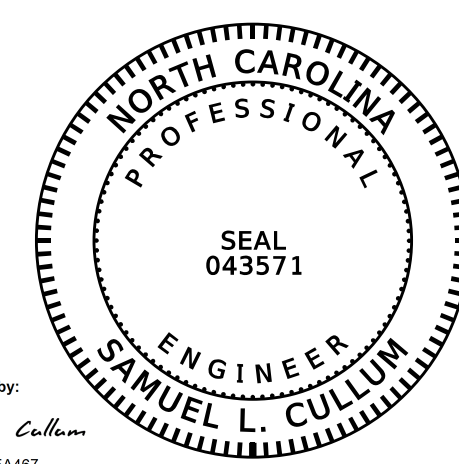


SECTION B - B

PROJECT NO. U-4405
CUMBERLAND COUNTY
 STATION: 26+78.00 -RPB-

SHEET 2 OF 2

STATE OF NORTH CAROLINA
 DEPARTMENT OF TRANSPORTATION
 RALEIGH
 STANDARD
 EXPANSION JOINT
 SEAL DETAILS
 FOR BARRIER RAIL



REVISIONS						SHEET NO.
NO.	BY:	DATE:	NO.	BY:	DATE:	S-14
1			3			TOTAL SHEETS
2			4			26

KCA 4800 SIX FORKS ROAD SUITE 120
 RALEIGH, NC 27609
 (919) 882-7839

ASSEMBLED BY: L. MARTINEZ DATE: 06-17
 CHECKED BY: S. BOYD DATE: 06-17

DRAWN BY: REK 9/87 MAA/GM
 CHECKED BY: CRK 10/87 REV. 10/11 MAA/GM
 REV. 7/12 MAA/GM
 REV. 6/13 MAA/GM

* EACH WELDED ATTACHMENT OF WIRE TO FERRULE SHALL DEVELOP THE TENSILE STRENGTH OF THE WIRE.

6/6/2018 12:30:46 PM PDT

DOCUMENT NOT CONSIDERED FINAL UNLESS ALL SIGNATURES COMPLETED