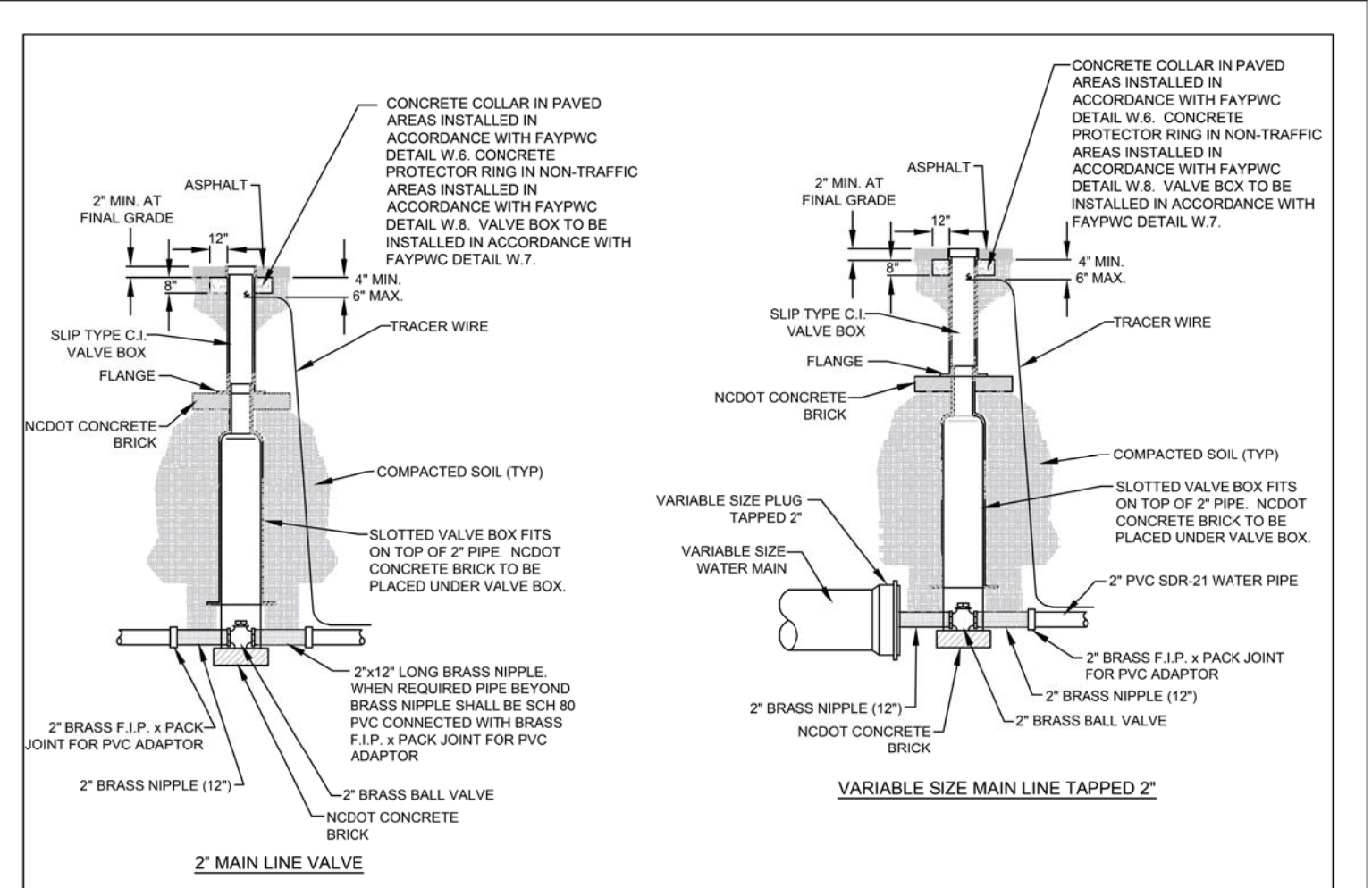
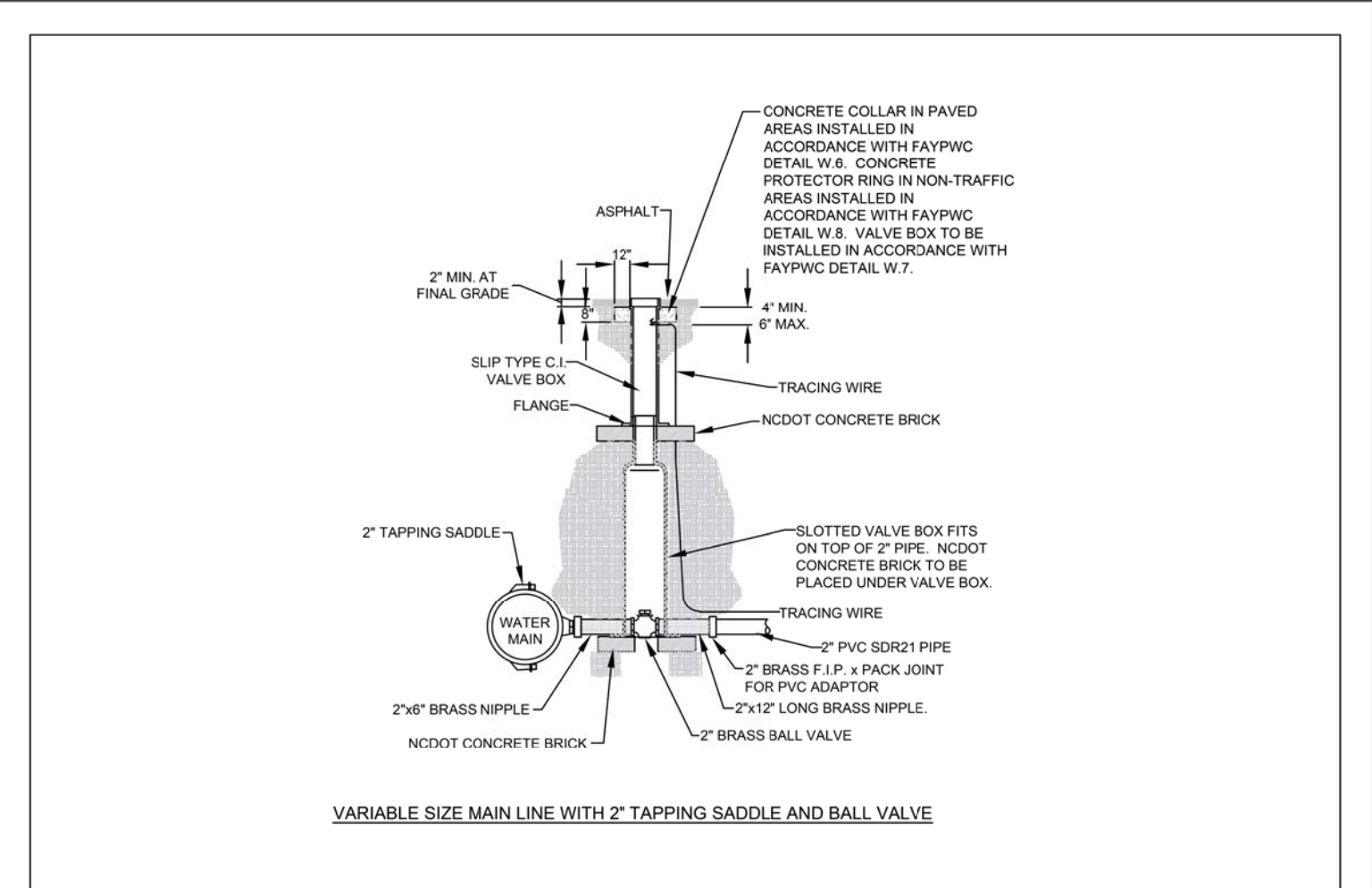


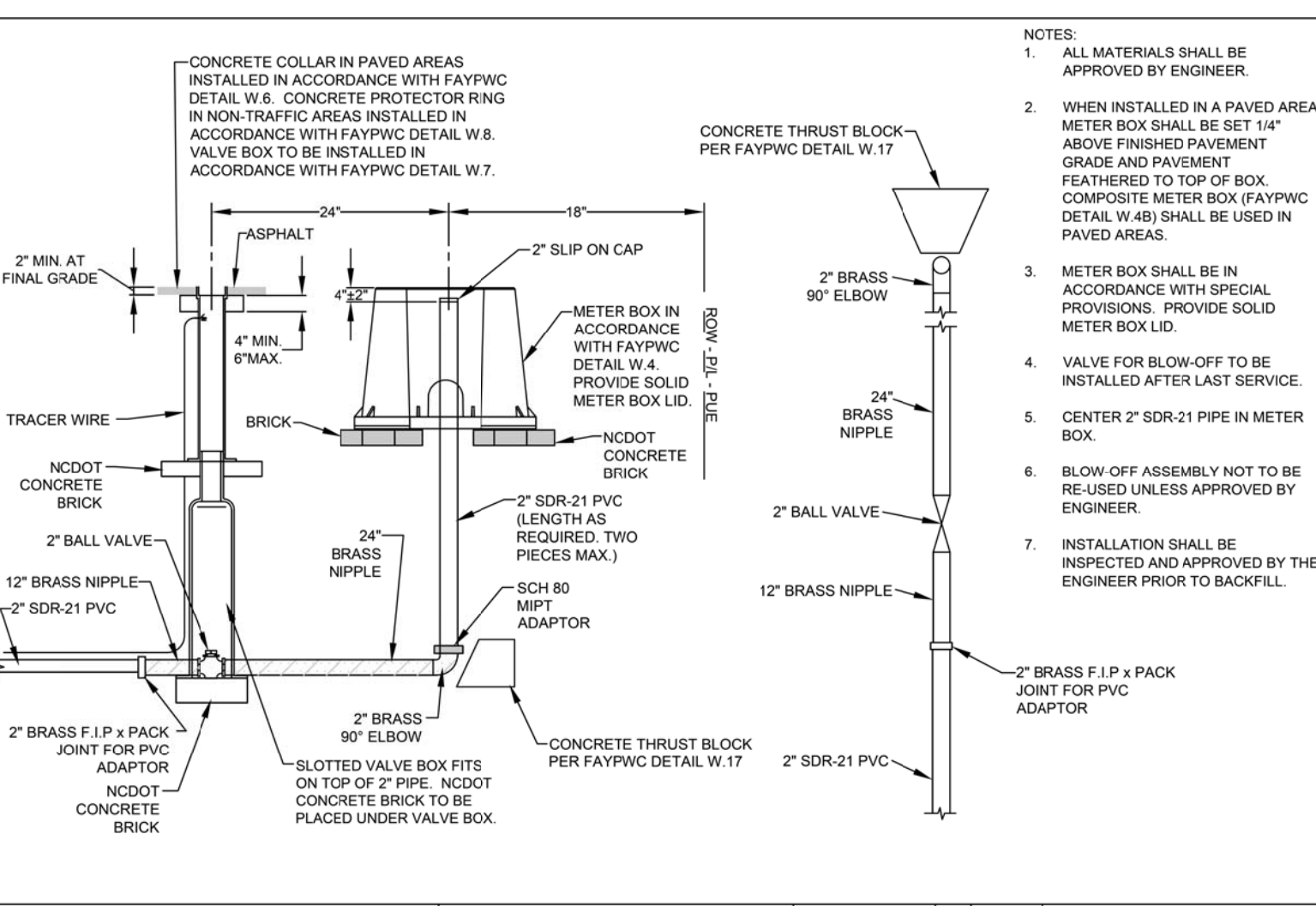
UTILITY CONSTRUCTION



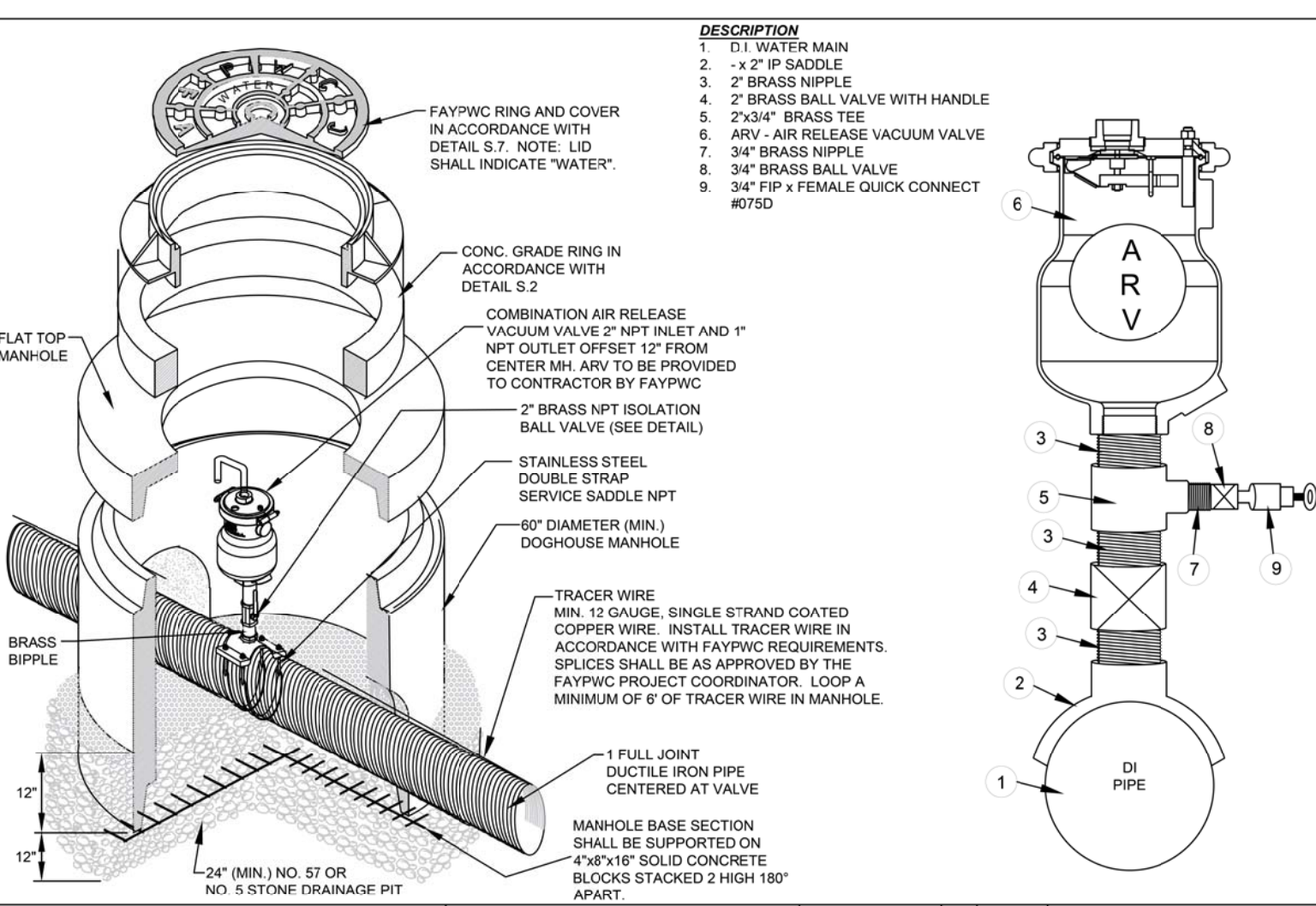
2\"/>		
NO.	DATE	REVISION
1	06/08	ADDED NOTE ON CONCRETE COLLAR
2	07/17	UPDATED NOTES



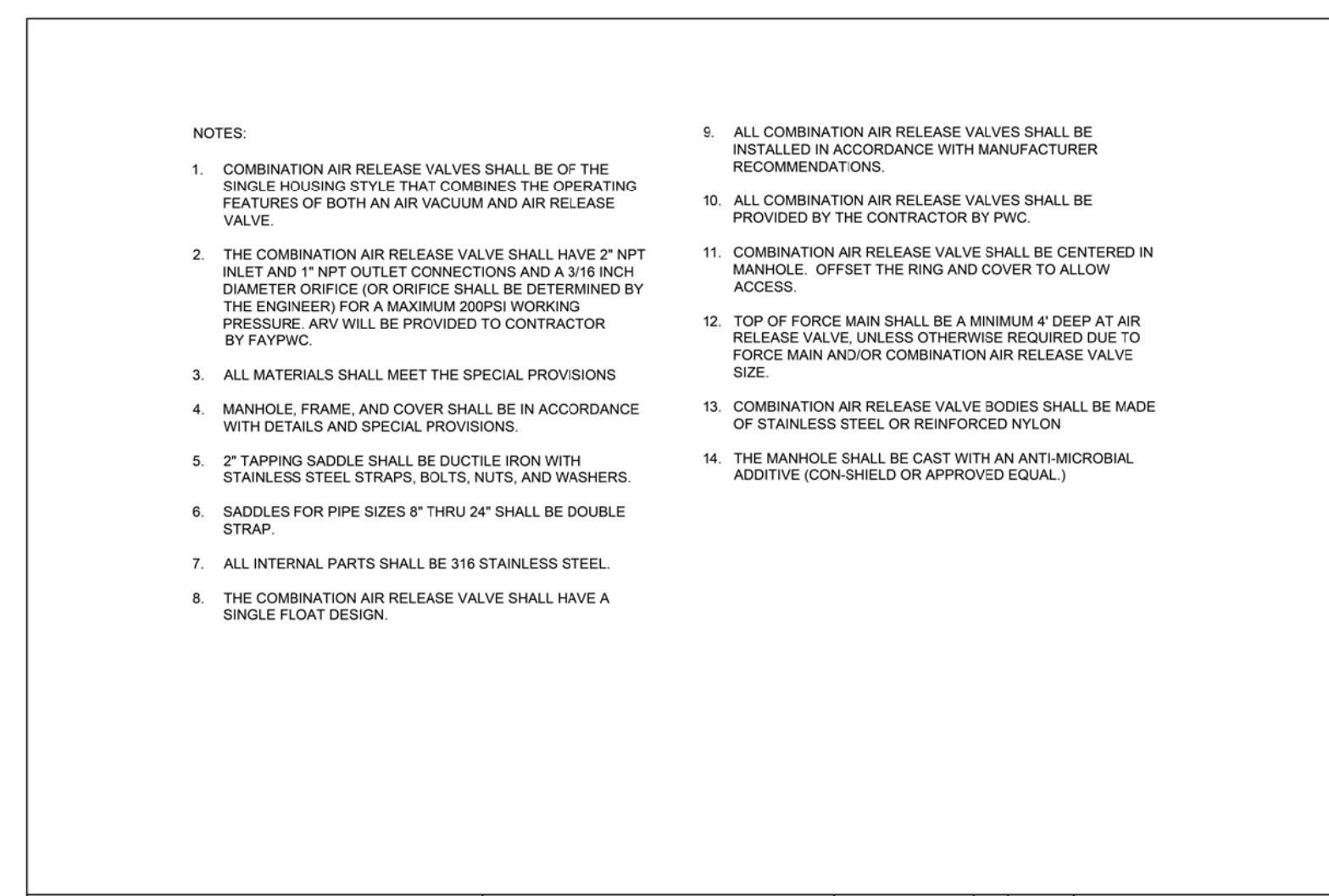
2\"/>		
NO.	DATE	REVISION
1	06/08	ADDED NOTE ON CONCRETE COLLAR
2	01/07	REVISED VALVE LOCATION
3	07/17	REVISED NOTES



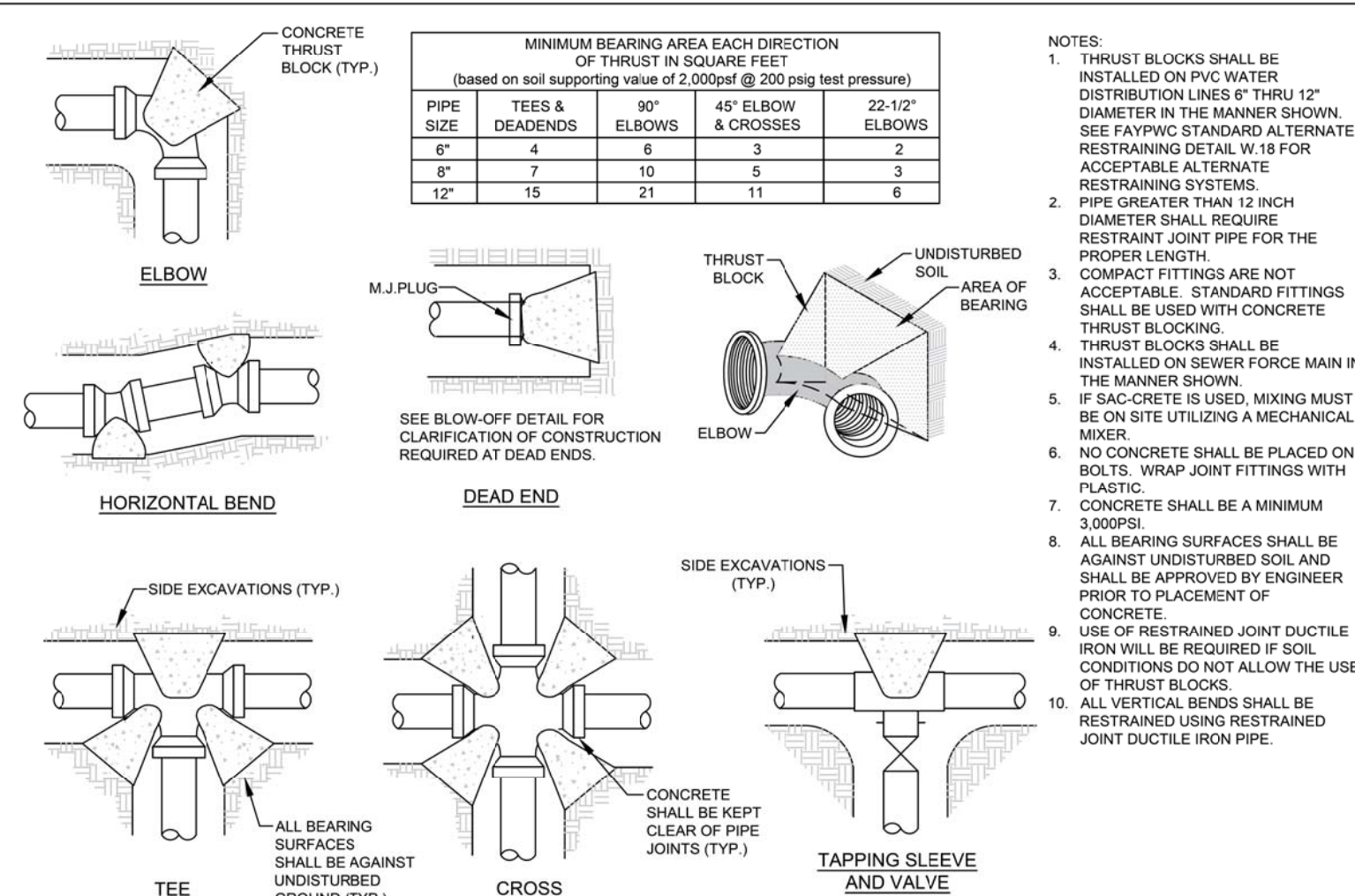
2\"/>		
NO.	DATE	REVISION
1	07/17	REVISED NOTES
2	05/29/18	REVISED NOTES 1, 3, 6 AND 7 AND INCLUDE PLACEMENT INSIDE PUE FOR NCDOT U-4405.



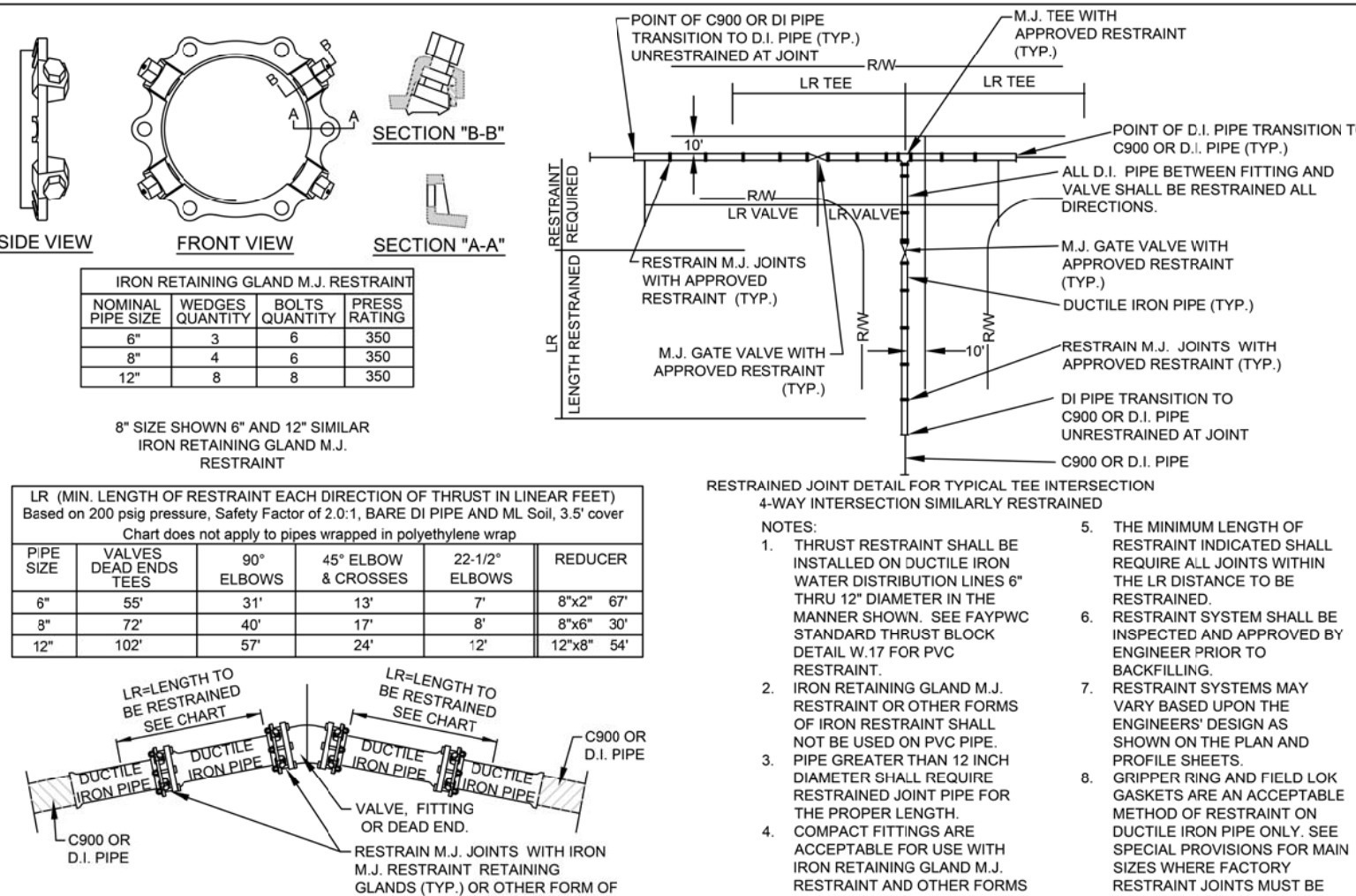
COMBINATION AIR RELEASE VACUUM VALVE (WATER SERVICE)		FAYETTEVILLE PUBLIC WORKS COMMISSION FAYETTEVILLE, N.C.	
NO.	DATE	REVISION	
1	07/09	REVISED NOTES 3 AND 5, ADD NOTE 7	
2	01/13	UPDATED NOTES, ADDED TRACER WIRE	
3	05/29/18	ARV TO BE PROVIDED TO CONTRACTOR FOR NCDOT U-4405	



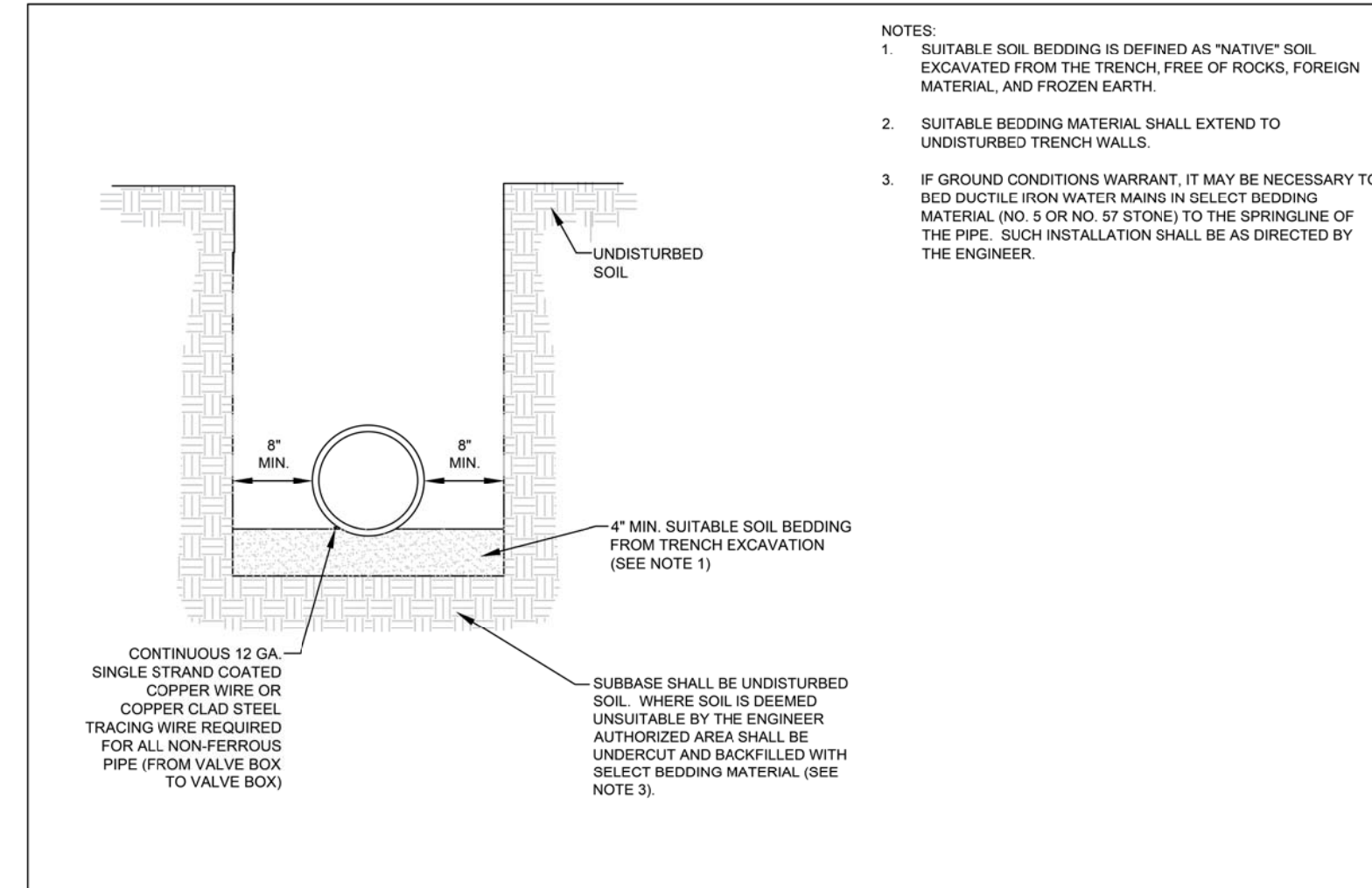
COMBINATION AIR RELEASE VACUUM VALVE (WATER SERVICE)		FAYETTEVILLE PUBLIC WORKS COMMISSION FAYETTEVILLE, N.C.	
NO.	DATE	REVISION	
1	07/16	ADDED NOTE 16, REVISED NOTES	
2	07/16	DELETED NOTES 3, 16	
3	05/29/18	REVISED NOTES 2, 3, 4, AND 10 FOR NCDOT U-4405	



CONCRETE THRUST BLOCK DETAIL		FAYETTEVILLE PUBLIC WORKS COMMISSION FAYETTEVILLE, N.C.	
NO.	DATE	REVISION	
1	09/05	REVISED TABLE	
2	02/07	ADDED NOTES 9 AND 10	
3	07/13	ADDED TAPPING SLEEVE AND VALVE DETAIL	
4	5/29/18	REVISED NOTE 8	



ALTERNATE RESTRAINT DETAIL (DUCTILE IRON PIPE ONLY)		FAYETTEVILLE PUBLIC WORKS COMMISSION FAYETTEVILLE, N.C.	
NO.	DATE	REVISION	
1	11/6/07	REVISED TABLE, ADDED NOTE 8	
2	05/29/18	REVISED NOTES 6 AND 7 FOR NCDOT U-4405.	



WATER MAIN BEDDING DETAIL		FAYETTEVILLE PUBLIC WORKS COMMISSION FAYETTEVILLE, N.C.	
NO.	DATE	REVISION	
1	01/01/17	REVISED NOTES	
2	07/01/13	REVISED NOTE RE: TRACER WIRE	
3	05/29/18	REVISED NOTES FOR NCDOT U-4405	

5/14/2018 11:43 C:\p\p\p\Public Works Commission\2015017700RA Reelford Road NCDOT U-4405\CADD\NCDOT PLANS\Utilities\Engineering\UC\Proj\ud4405\_ut.dtl UC036.dgn