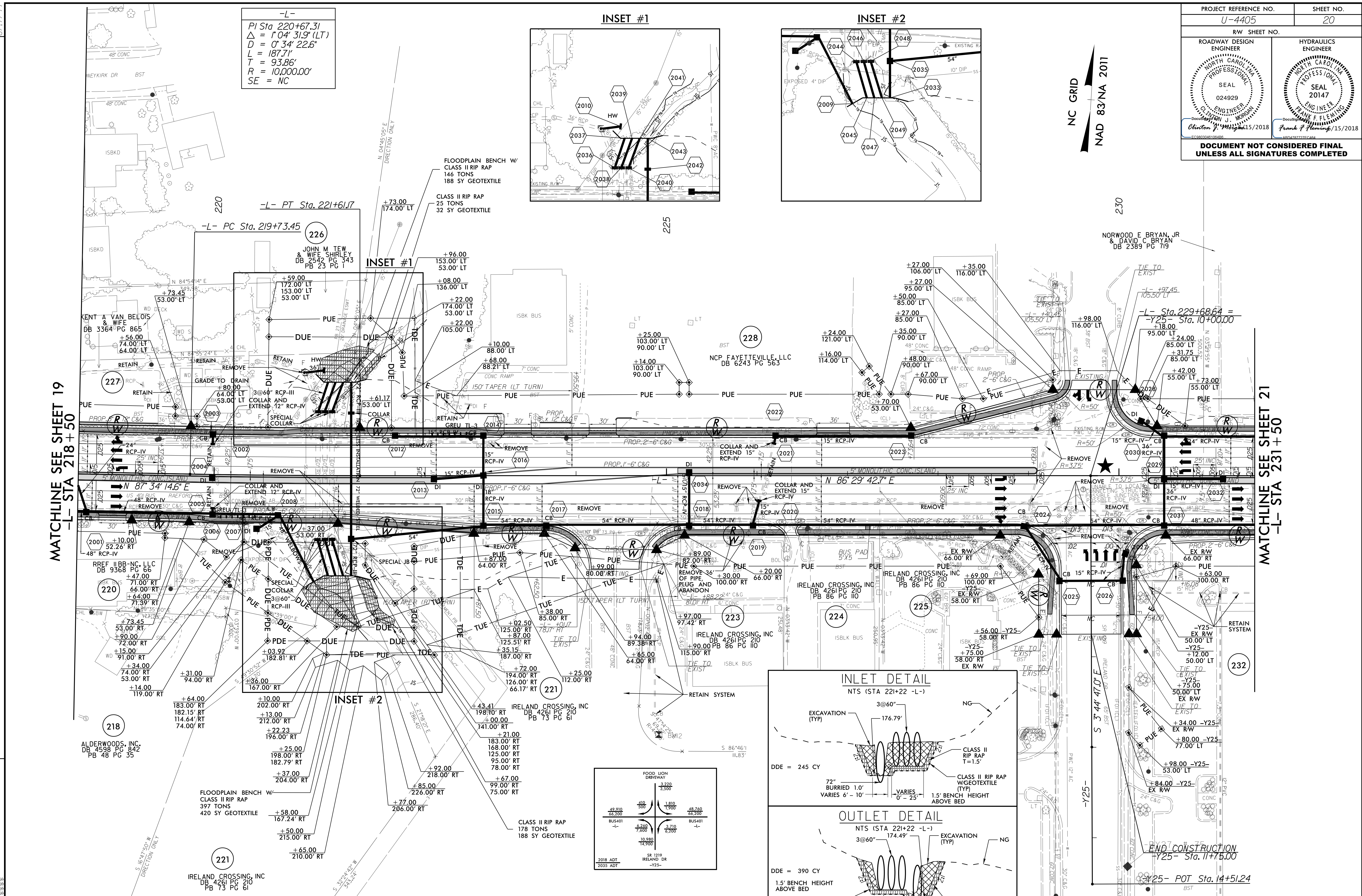
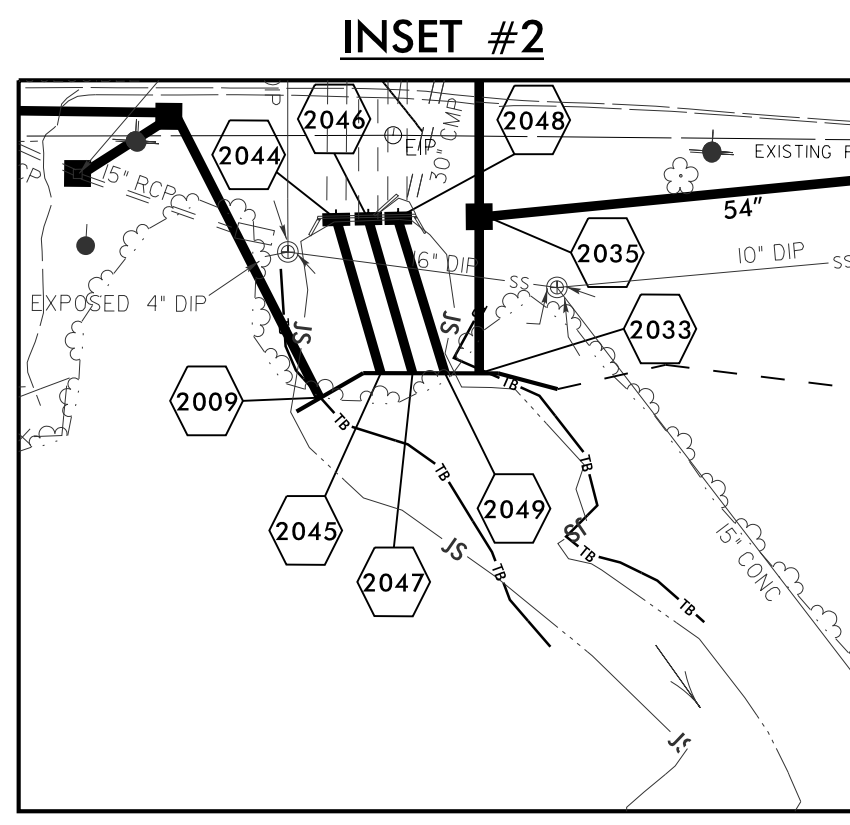
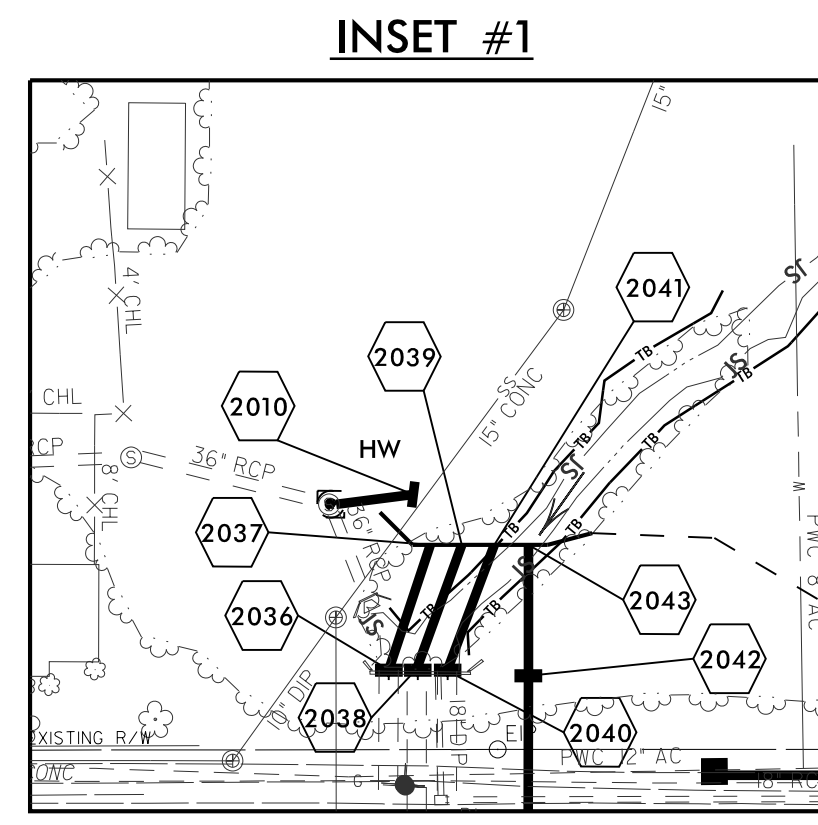


|  |  |                     |  |
|--|--|---------------------|--|
| PROJECT REFERENCE NO.<br>U-4405  |  | SHEET NO.<br>20     |  |
| ROADWAY DESIGN ENGINEER  |  | HYDRAULICS ENGINEER |  |
|  |  |                     |  |
| <p>DOCUMENT NOT CONSIDERED FINAL<br/>UNLESS ALL SIGNATURES COMPLETED</p> |  |                     |  |

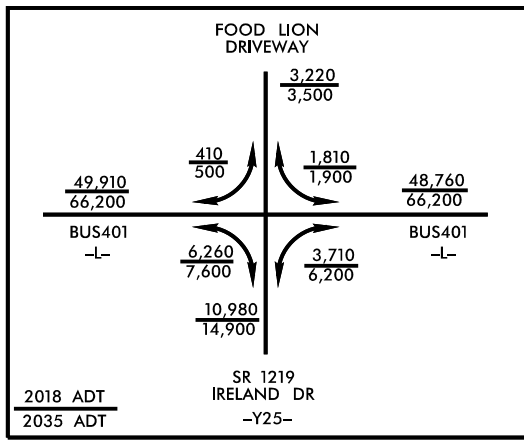
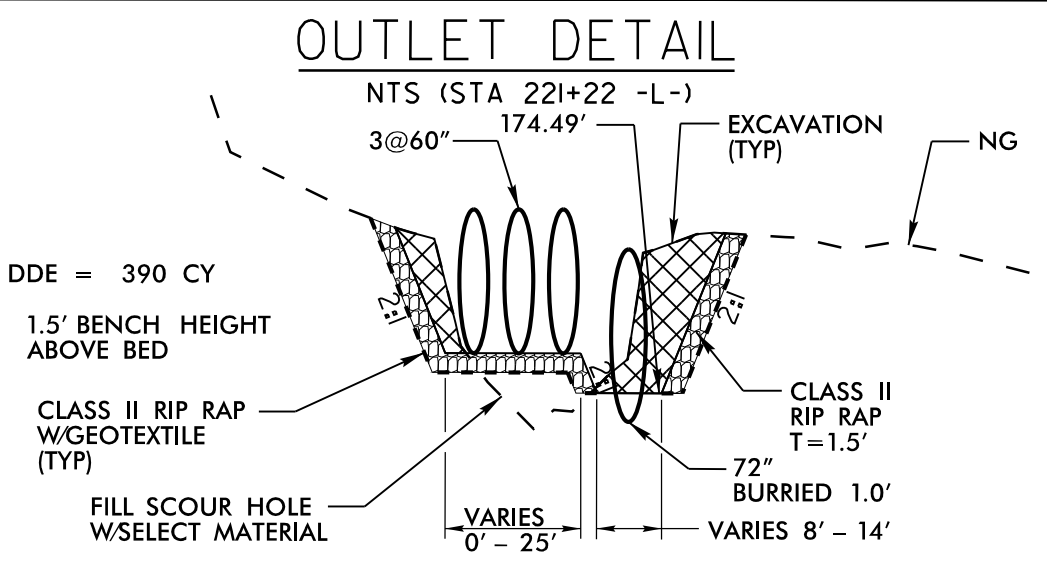
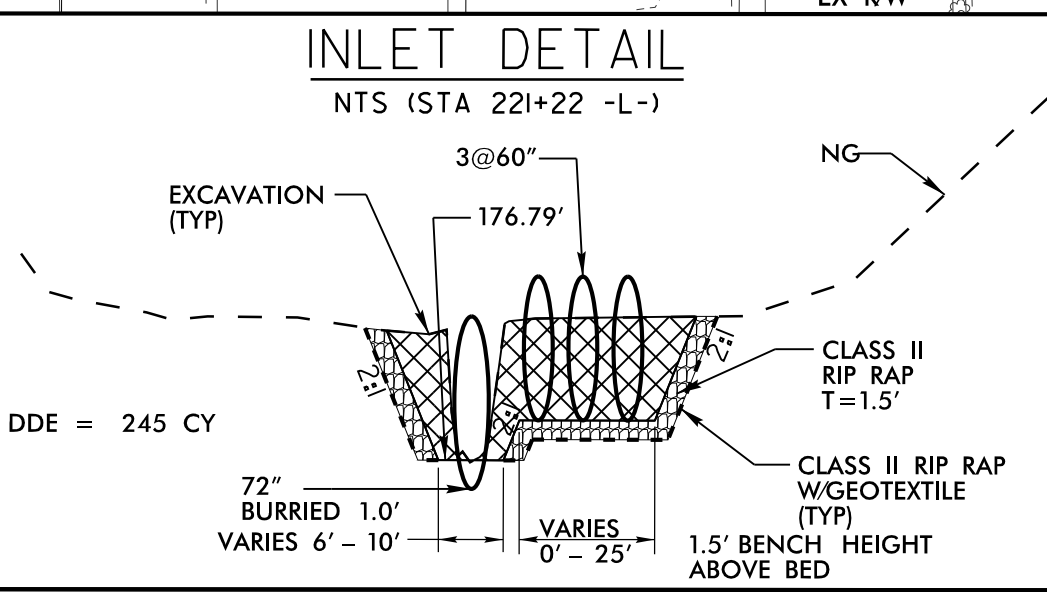
NC GRID  
NAD 83/NA 2011

-L-  
PI Sta. 220+67.31  
 $\Delta = 1' 04" 31.9" (LT)$   
 $D = 0' 34" 22.6"$   
 $L = 187.71'$   
 $T = 93.86'$   
 $R = 10,000.00'$   
SE = NC



MATCHLINE SEE SHEET 19  
-L- STA 218 +50

MATCHLINE SEE SHEET 21  
-L- STA 231 +50



★ PROPOSED SIGNAL  
▬ PROP CONC SIDEWALK

NOTE: SEE SHEET 40 FOR -L- PROFILE  
SEE SHEET 48 FOR -Y25- PROFILE  
BUS PADS WILL BE PAID FOR AS SIDEWALK

14-JUN-2018 12:11  
R:\Projects\U4405\rdw\_psh\_20.dgn  
8/17/99