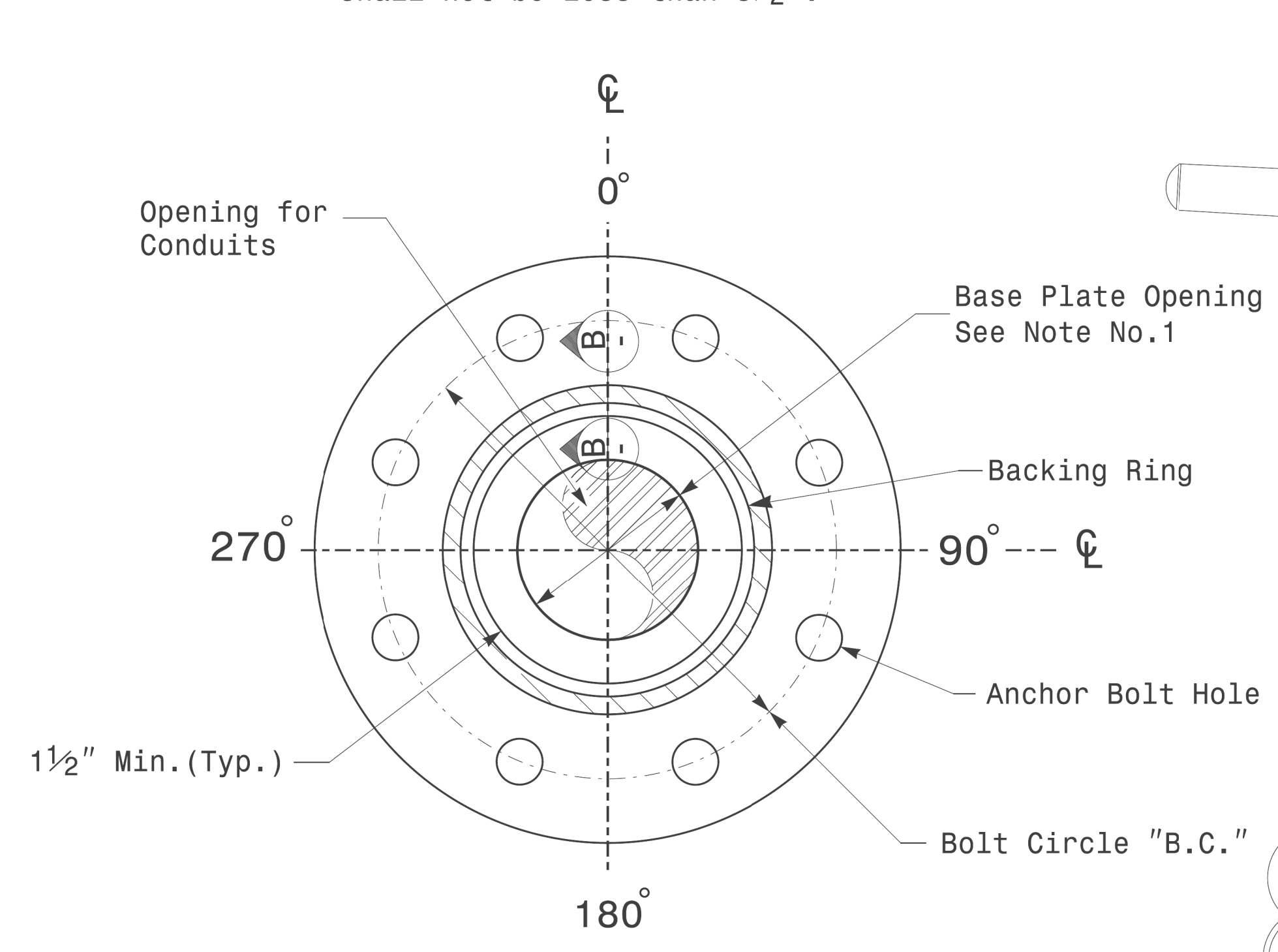
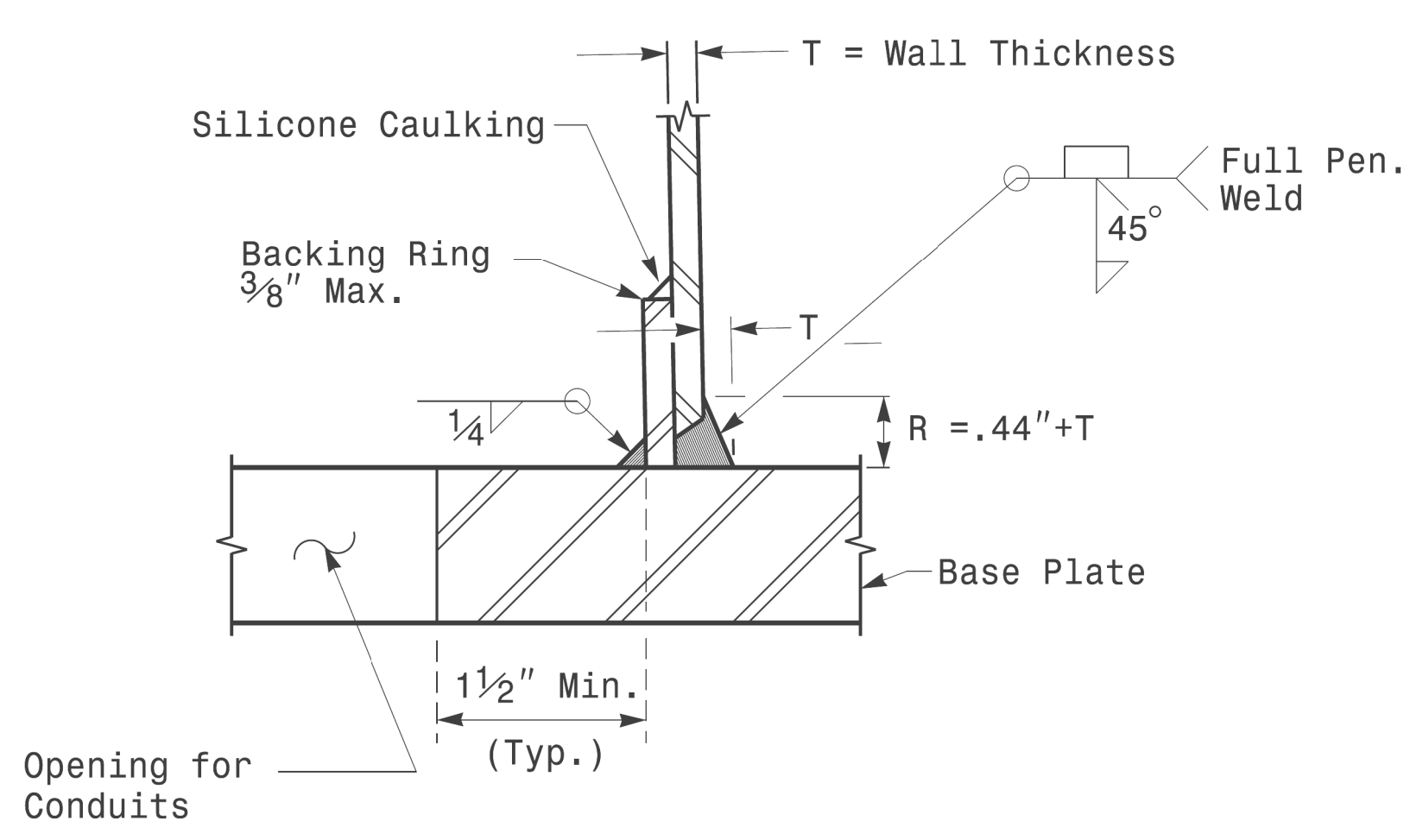


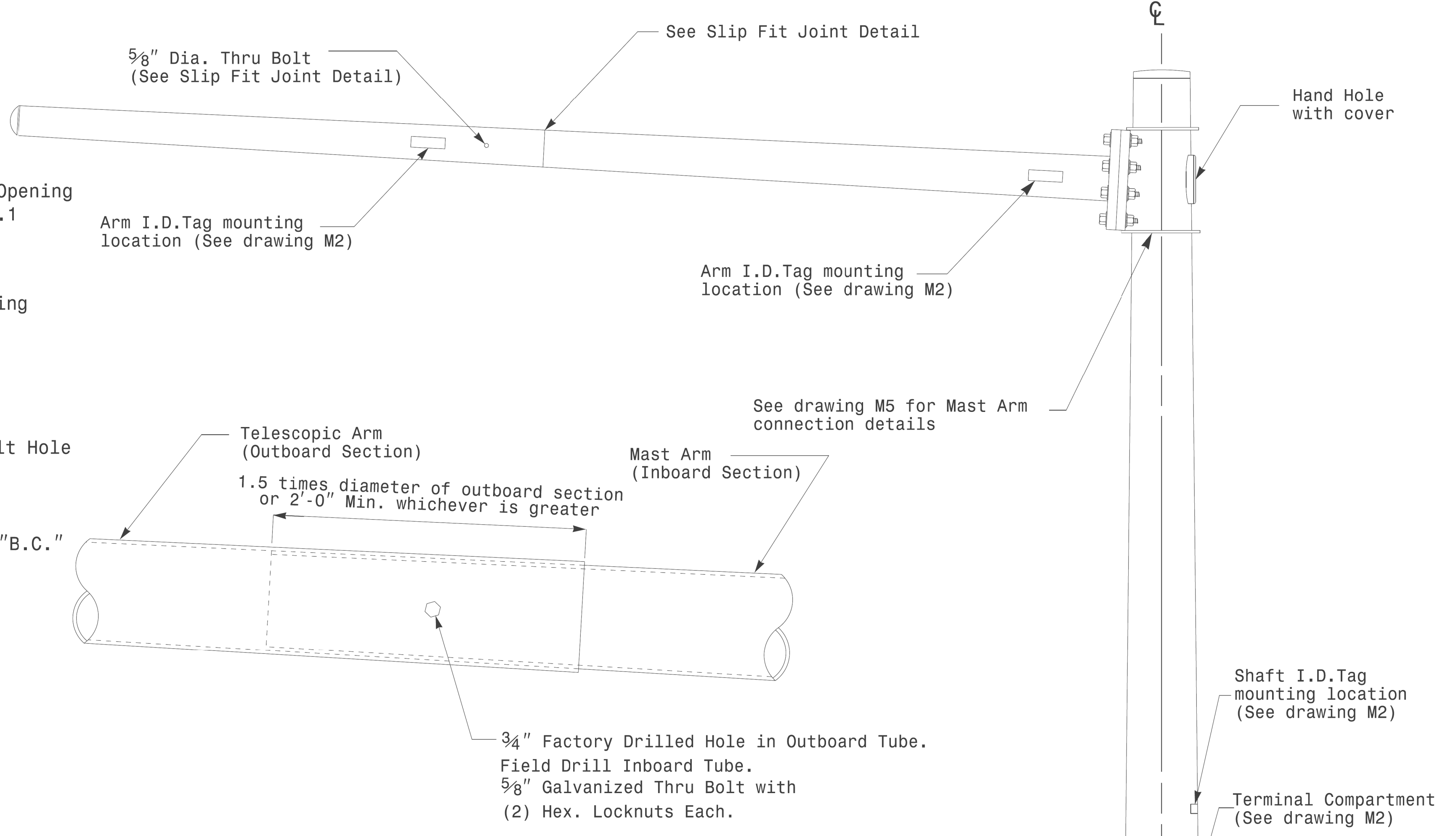
Note:  
 1. Opening in pole base plate shall be equal to pole base inside diameter minus 3 1/2" but shall not be less than 8 1/2".



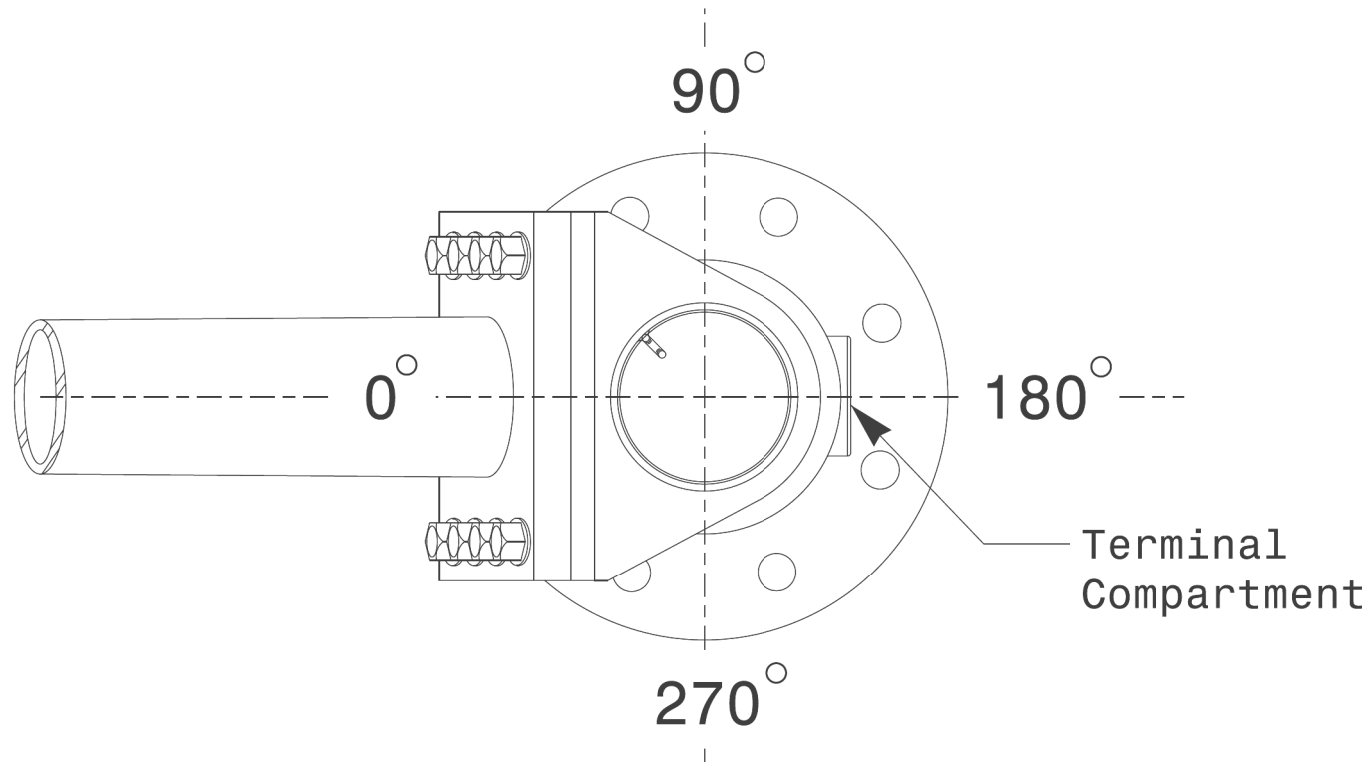
**Section A-A**  
**Pole Base Plate Details**



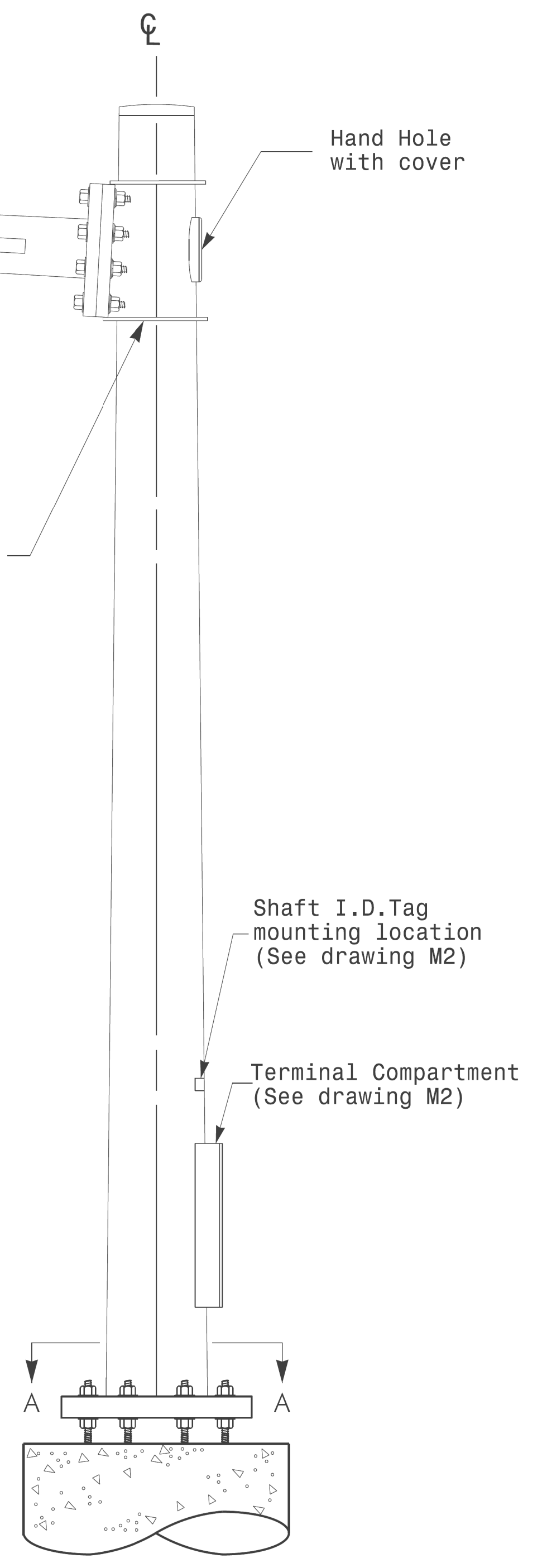
**Section B-B**  
 (Pole Attachment to Base Plate)  
**Full-Penetration Groove Weld Detail**



**Slip Fit Joint Detail for Mast Arm**



**Mast Arm Radial Orientation**



**Mast Arm Pole**

**Fabrication Details - Mast Arm Poles**

	Typical Fabrication Details For Mast Arm Poles		SEAL 
	PLAN DATE: OCTOBER 2017 DESIGNED BY: K.C. DURIGON PREPARED BY: N. BITTING REVIEWED BY: D.C. SARKAR	REVISIONS INIT. DATE	
SCALE: 0 NA NONE	Signature: <i>Dinesh C. Sarkar</i> DATE: 10/11/2017		DATE

11-OCT-2017 08:33  
 S:\13565\13565\Signal\sig\Design\Section\FacTerm\_Regional\Sheets\2016\2014\_Sig\_M4\_Std\_Fabrication\_Details-Mast\_Arm\_Poles.dgn  
 User: dcsarkar