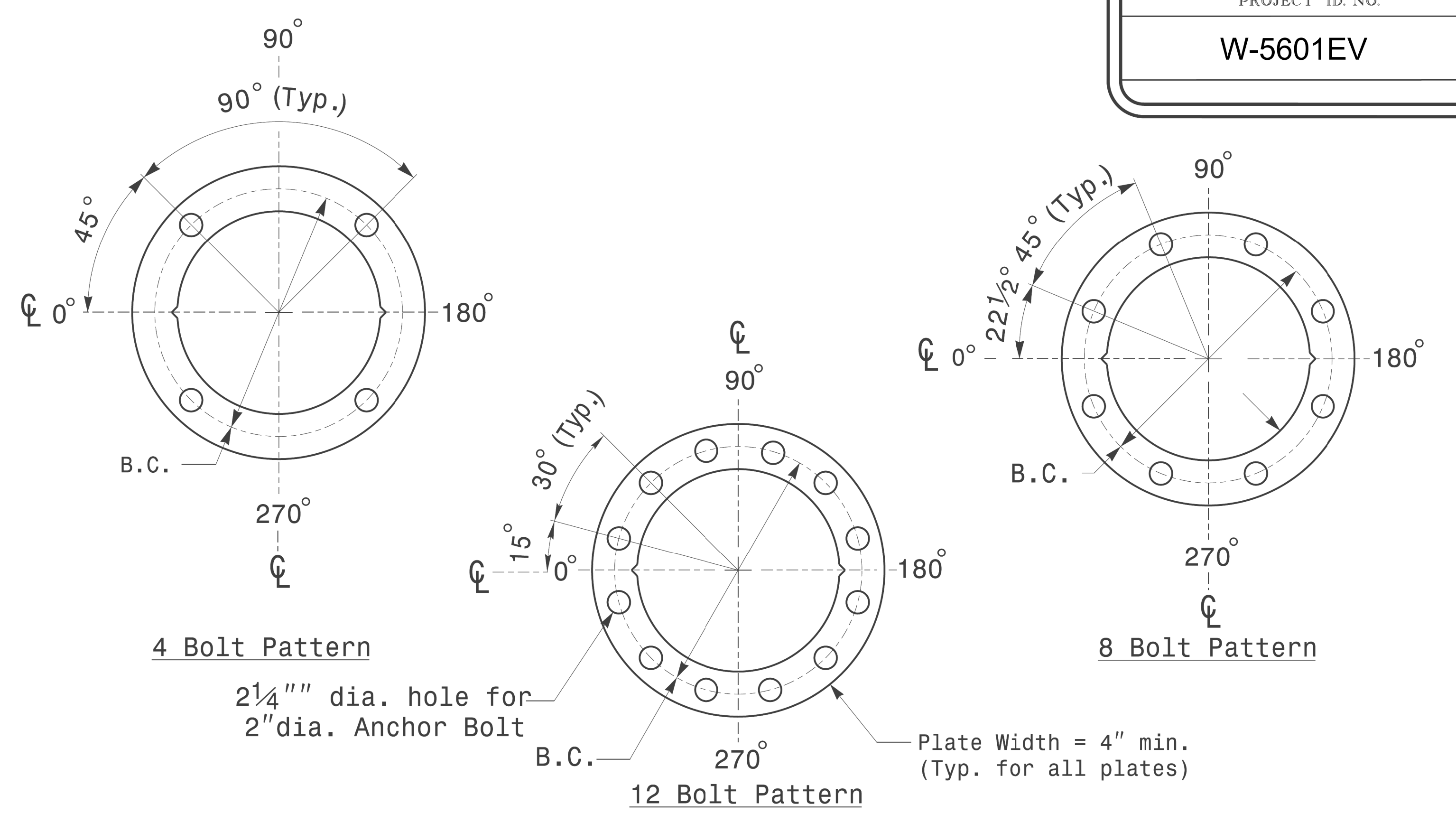


MFG _____	MFG. DATE: MM/YY _____
SHAFT D/T/L/Y _____	_____
ARM-A D/T/L/Y _____	_____
ARM-B D/T/L/Y _____	_____
A.B. DIA./B.C./L/Y _____	_____
NCDOT SIG. INV. NO. _____	_____
NCDOT POLE NO. _____	_____

Shaft I.D. Tag  
(Provide on Shaft of Strain Poles and Mast Arm Poles Shaft)

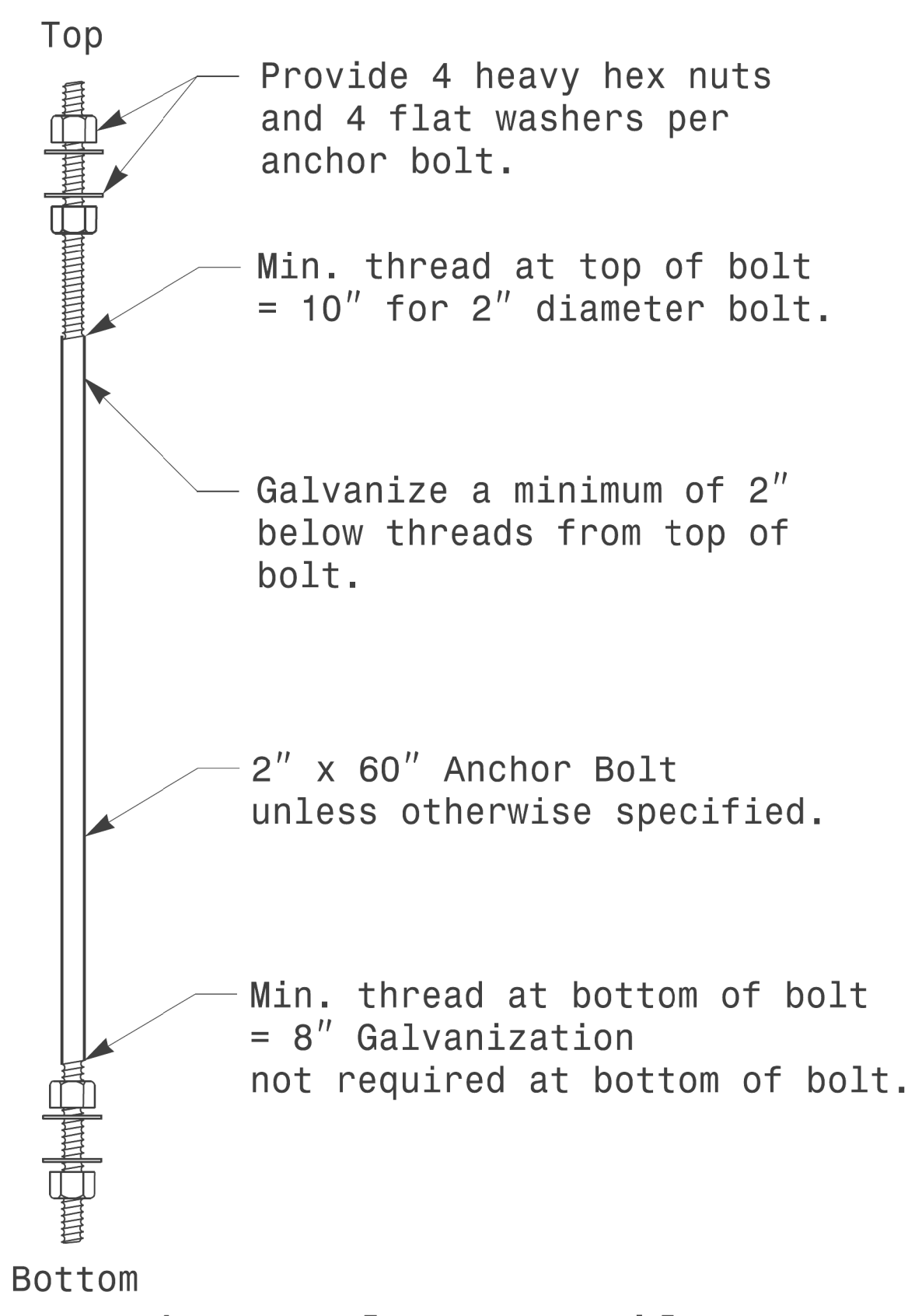
- Notes:
- 1) D= Diameter, T= Thickness, L= Length, Y= Yield Strength
  - 2) A.B. = Anchor Bolt
  - 3) B.C. = Bolt Circle of Anchor Bolts
  - 4) If Custom Design, use "NCDOT STANDARD" line for Signal Inv. Number and pole I.D. number
  - 5) See drawing M3 and M4 for mounting positions of I.D. tags.

**Identification Tag Details**

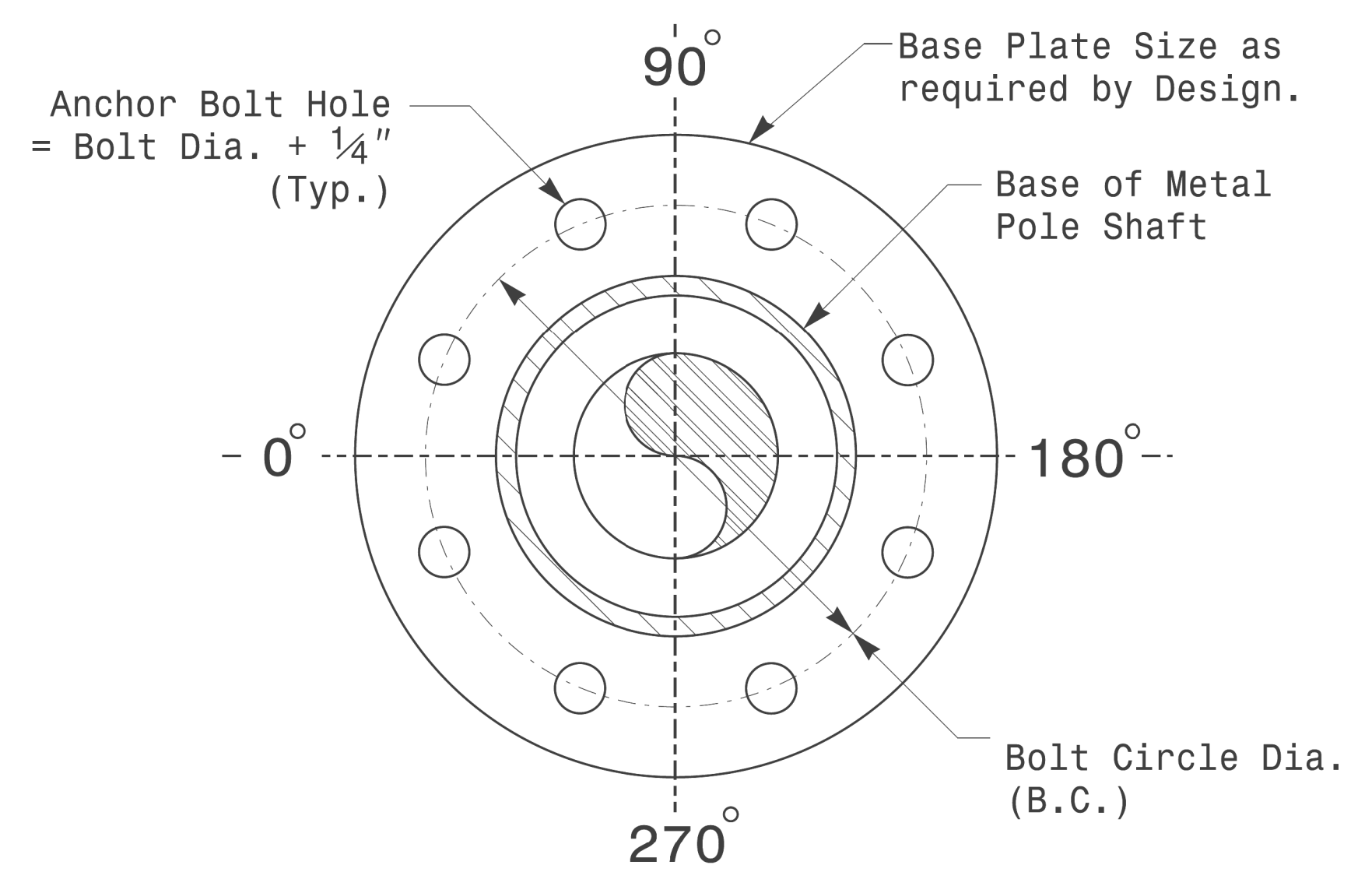


Construct Templates and Plates from 1/4" min. thick Steel. Galvanizing is not required.

**Base Plate Template and Anchor Bolt Lock Plate Details**



**Anchor Bolt Detail**



**Typical Base Plate Detail**

	Prepared In the Offices of: Transportation Mobility and Safety Division Signal Design Section 750 N. Greenfield Pkwy, Garner, NC 27529		Typical Fabrication Details For All Metal Poles		SEAL NORTH CAROLINA PROFESSIONAL ENGINEER SEAL 028094 DEBESH C. SARKAR
	PLAN DATE: OCTOBER 2017	DESIGNED BY: C.F. ANDREWS			
	PREPARED BY: N. BITTING	REVIEWED BY: D.C. SARKAR	REVISIONS	INIT. DATE	
SCALE: 0 NA NONE		DocuSigned by: Debesh C. Sarkar 448832242424		10/11/2017 DATE	