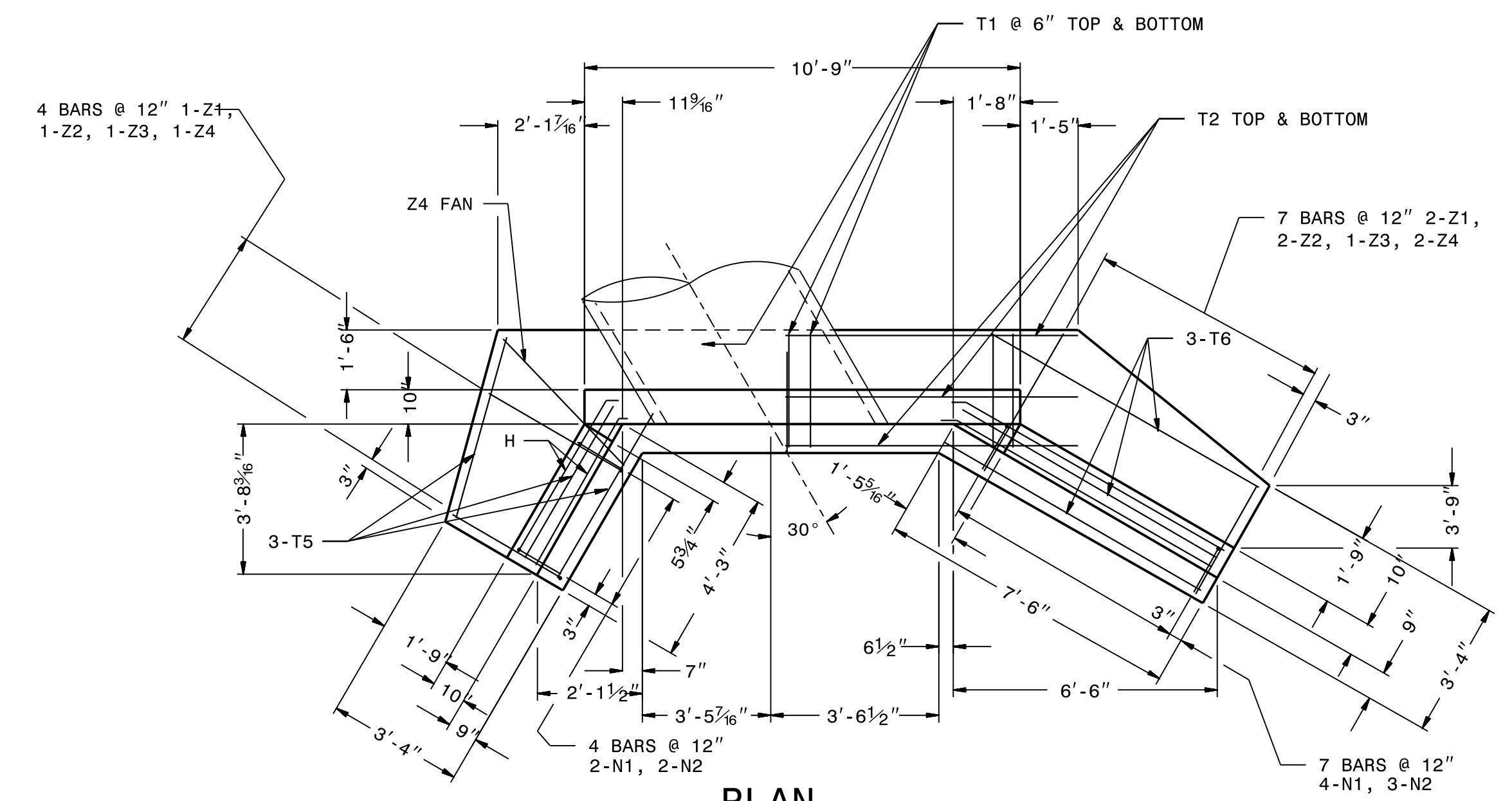


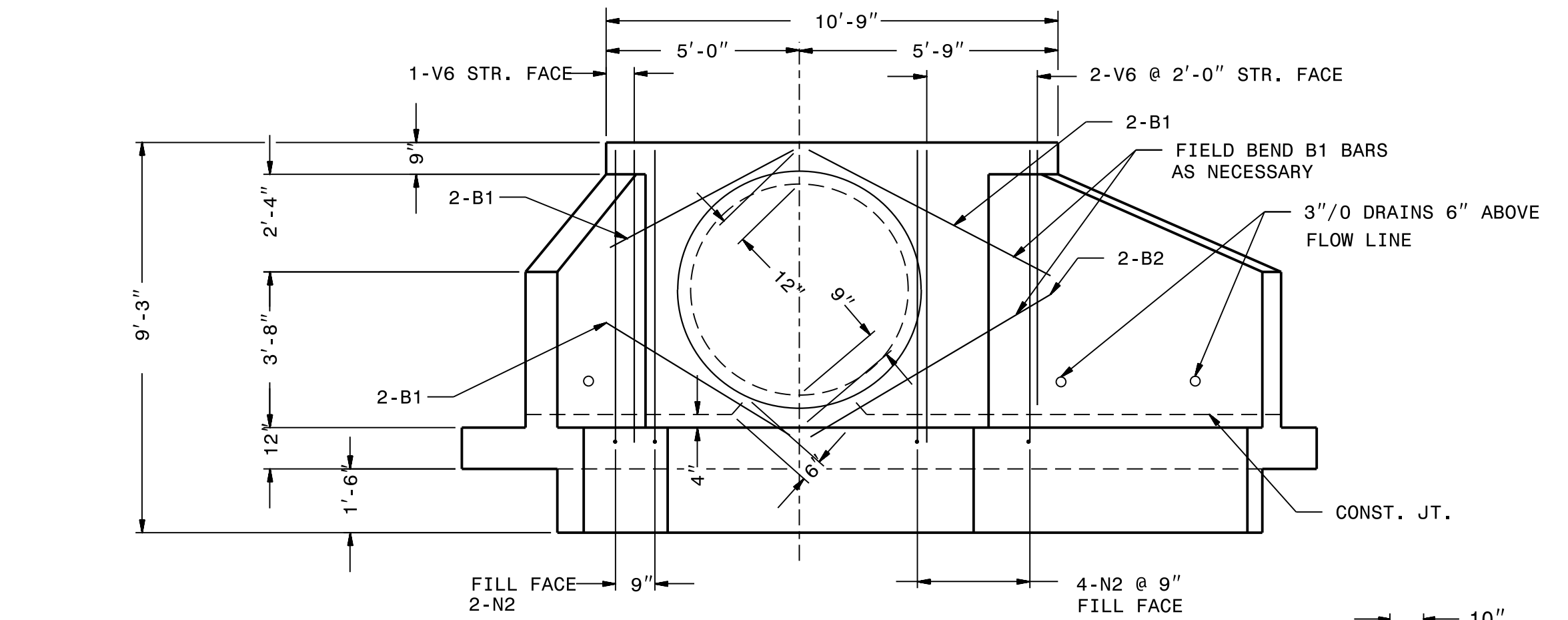
STATE OF NORTH CAROLINA
 DEPT. OF TRANSPORTATION
 DIVISION OF HIGHWAYS
 RALEIGH, N.C.

ENGLISH DETAIL DRAWING FOR
REINFORCED CONCRETE ENDWALL
 FOR SINGLE 60" PIPE 60° OR 120° SKEW

SHEET OF
838d27

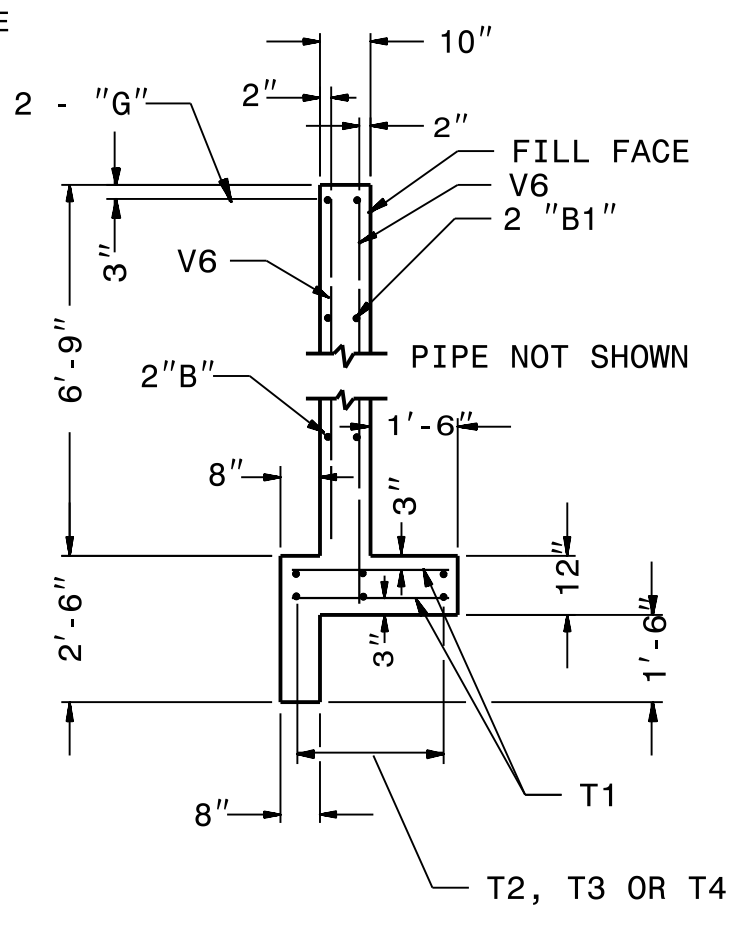
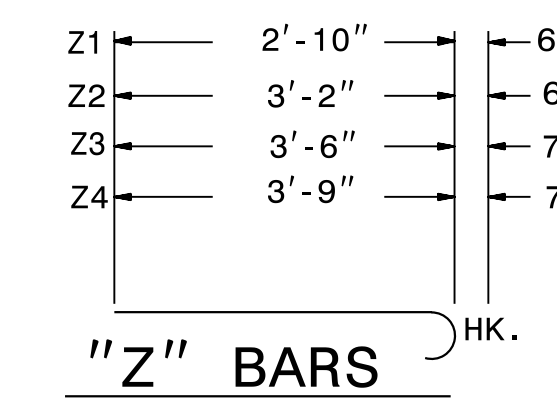
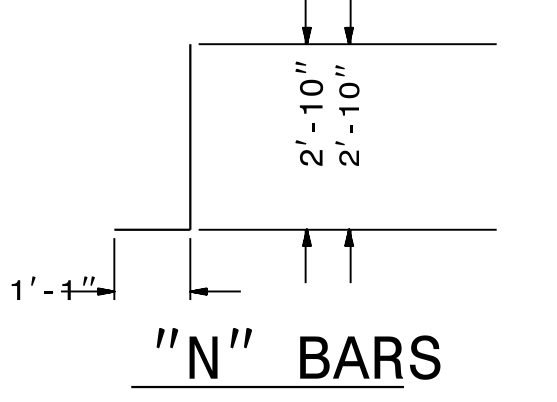
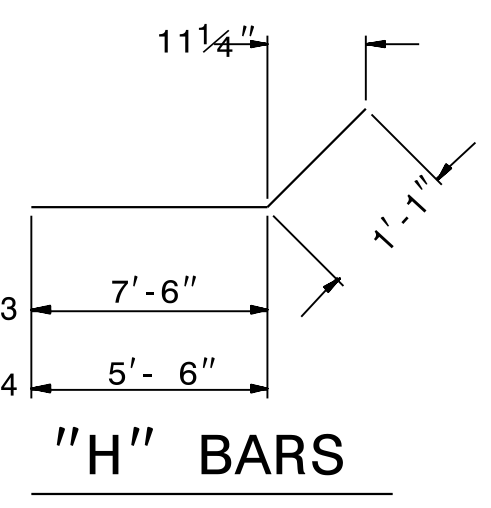
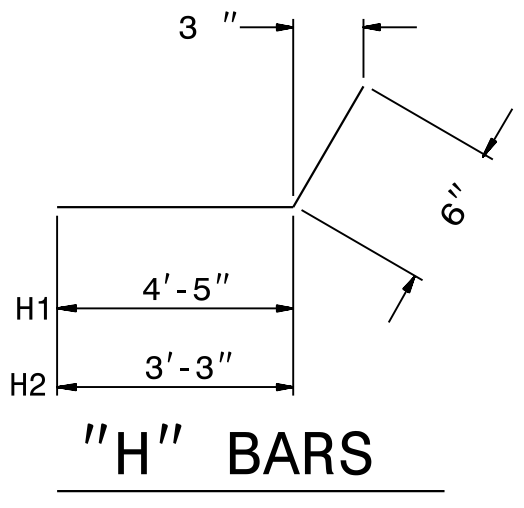


PLAN

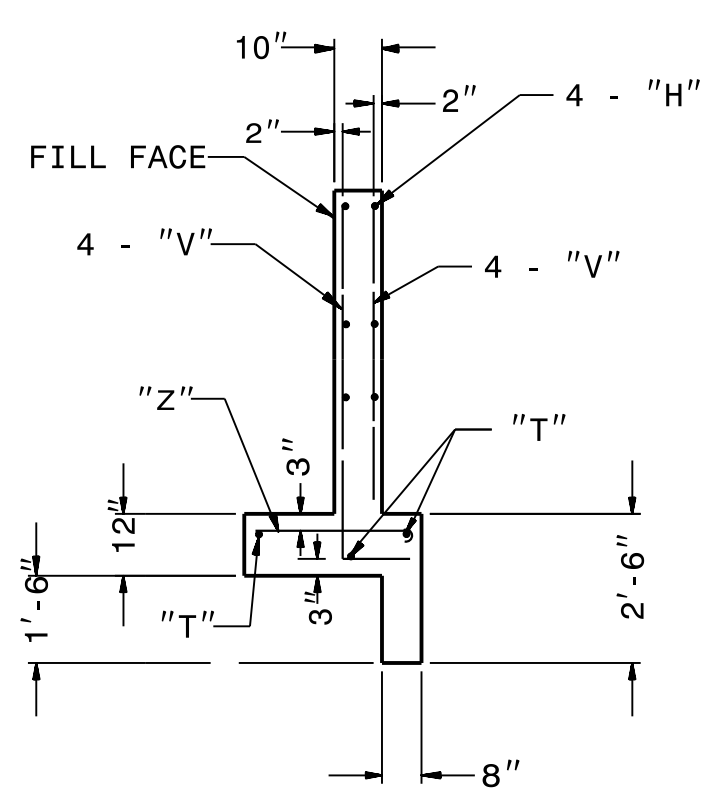


ELEVATION

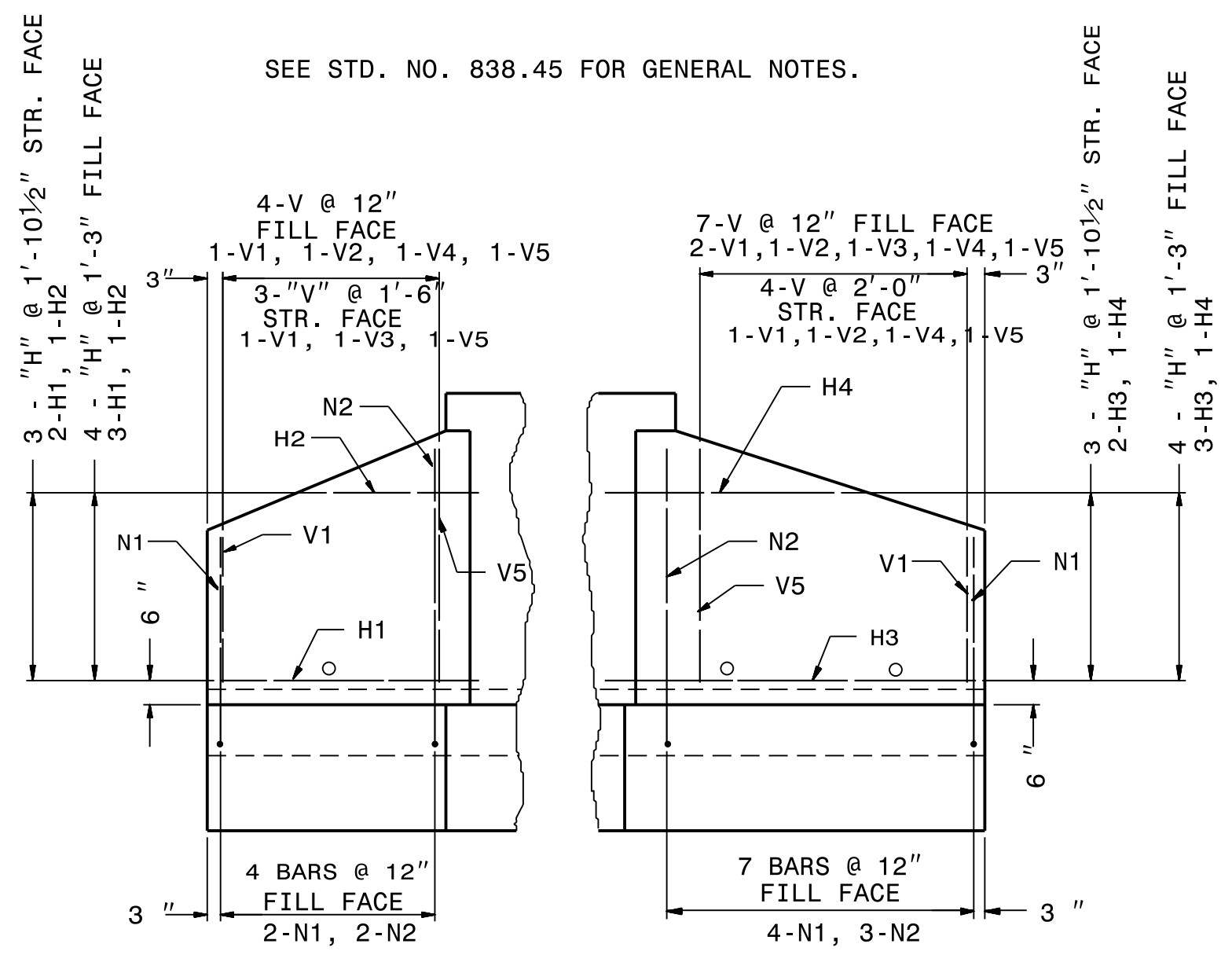
"H", "N", & "Z" BAR DIMENSIONS ARE OUT TO OUT.



SECTION - BB



SECTION - AA



WING ELEVATION

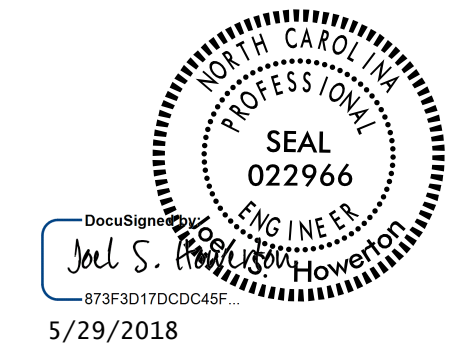
SEE STD. NO. 838.45 FOR GENERAL NOTES.

BILL OF MATERIAL FOR ENDWALLS					
REINF. STEEL			1 - PIPES		
BAR	SIZE	LENGTH	NO.	WEIGHT	
Z1	#4	3'-4"	3	7	
Z2	#4	3'-7"	3	7	
Z3	#5	4'-1"	2	9	
Z4	#5	4'-4"	4	18	
N1	#4	3'-5"	6	14	
N2	#4	3'-11"	11	45	
V1	#4	3'-3"	5	11	
V2	#4	3'-11"	3	8	
V3	#4	4'-3"	2	6	
V4	#4	4'-6"	3	9	
V5	#4	5'-1"	5	17	
V6	#4	6'-3"	9	38	
H1	#4	4'-11"	5	16	
H2	#4	3'-9"	2	5	
H3	#4	8'-7"	5	29	
H4	#4	6'-7"	2	9	
G1	#7	10'-5"	2	43	
T1	#4	2'-6"	42	70	
T2	#4	13'-11"	6	56	
T5	#4	4'-6"	3	9	
T6	#4	7'-0"	3	14	
B1	#4	5'-0"	6	20	
B2	#4	6'-6"	2	9	
REINF. STEEL LBS.			469		
CONC./C.M. CU. YDS.			6.7		
CONC./R.C. CU. YDS.			6.4		

STATE OF NORTH CAROLINA
 DEPT. OF TRANSPORTATION
 DIVISION OF HIGHWAYS
 RALEIGH, N.C.

ENGLISH DETAIL DRAWING FOR
REINFORCED CONCRETE ENDWALL
 FOR SINGLE 60" PIPE 60° OR 120° SKEW

SHEET OF
838d27



CONTRACT STANDARDS & DEVELOPMENT UNIT
STANDARDS AND SPECIAL DESIGN
 Office 919-707-6950 FAX 919-250-4119

SEE PLATE FOR TITLE

ORIGINAL BY: _____ DATE: _____
 MODIFIED BY: rbritt DATE: 05-08-06
 CHECKED BY: _____ DATE: _____
 FILE SPEC.: s:\nbritt/english/hydro/838d24_54_endwall_60sk.dgn

DOCUMENT NOT CONSIDERED FINAL UNLESS ALL SIGNATURES COMPLETED