

8/17/99

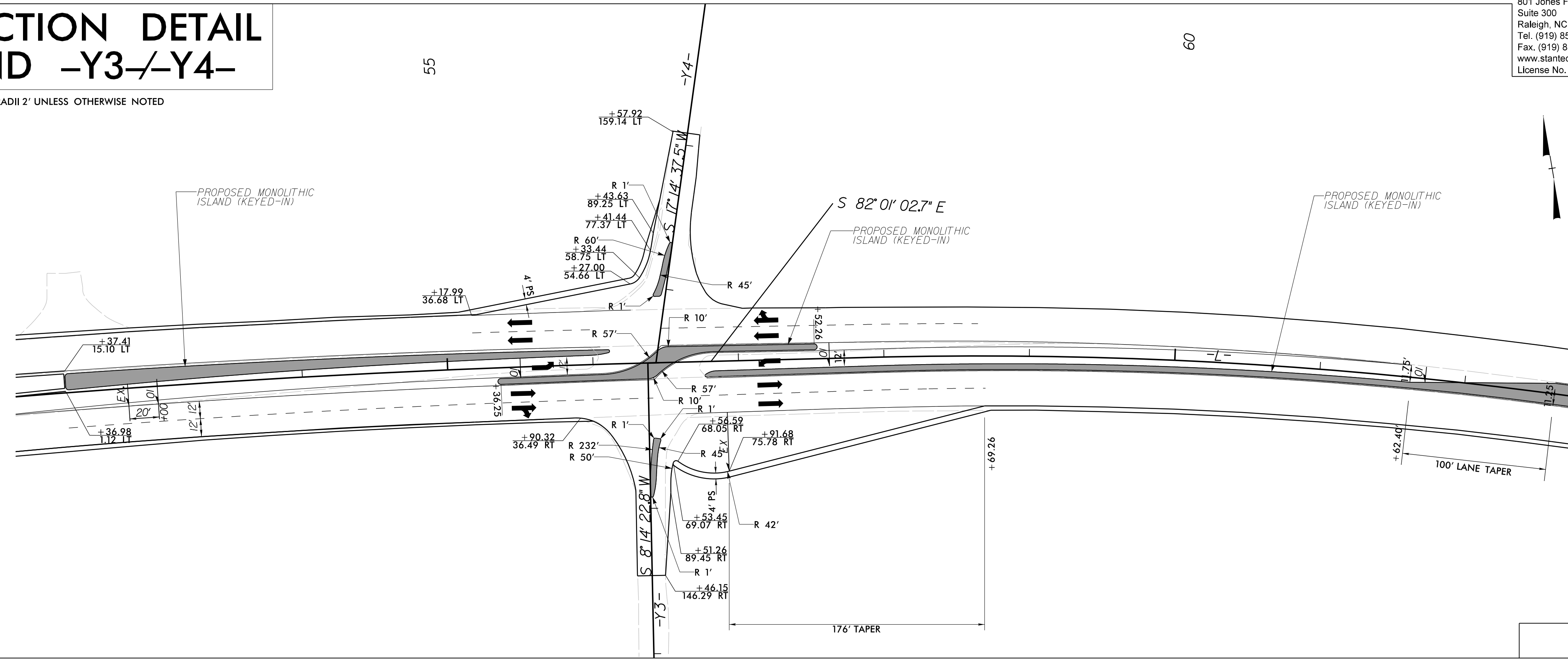


Stantec Consulting Services Inc.
801 Jones Franklin Road
Suite 300
Raleigh, NC 27606
Tel. (919) 851-6866
Fax. (919) 851-7024
www.stantec.com
License No. F-0672

PROJECT REFERENCE NO. W5601EV	SHEET NO. 2B-2
RW SHEET NO.	
ROADWAY DESIGN ENGINEER	

INTERSECTION DETAIL -L- AND -Y3-/-Y4-

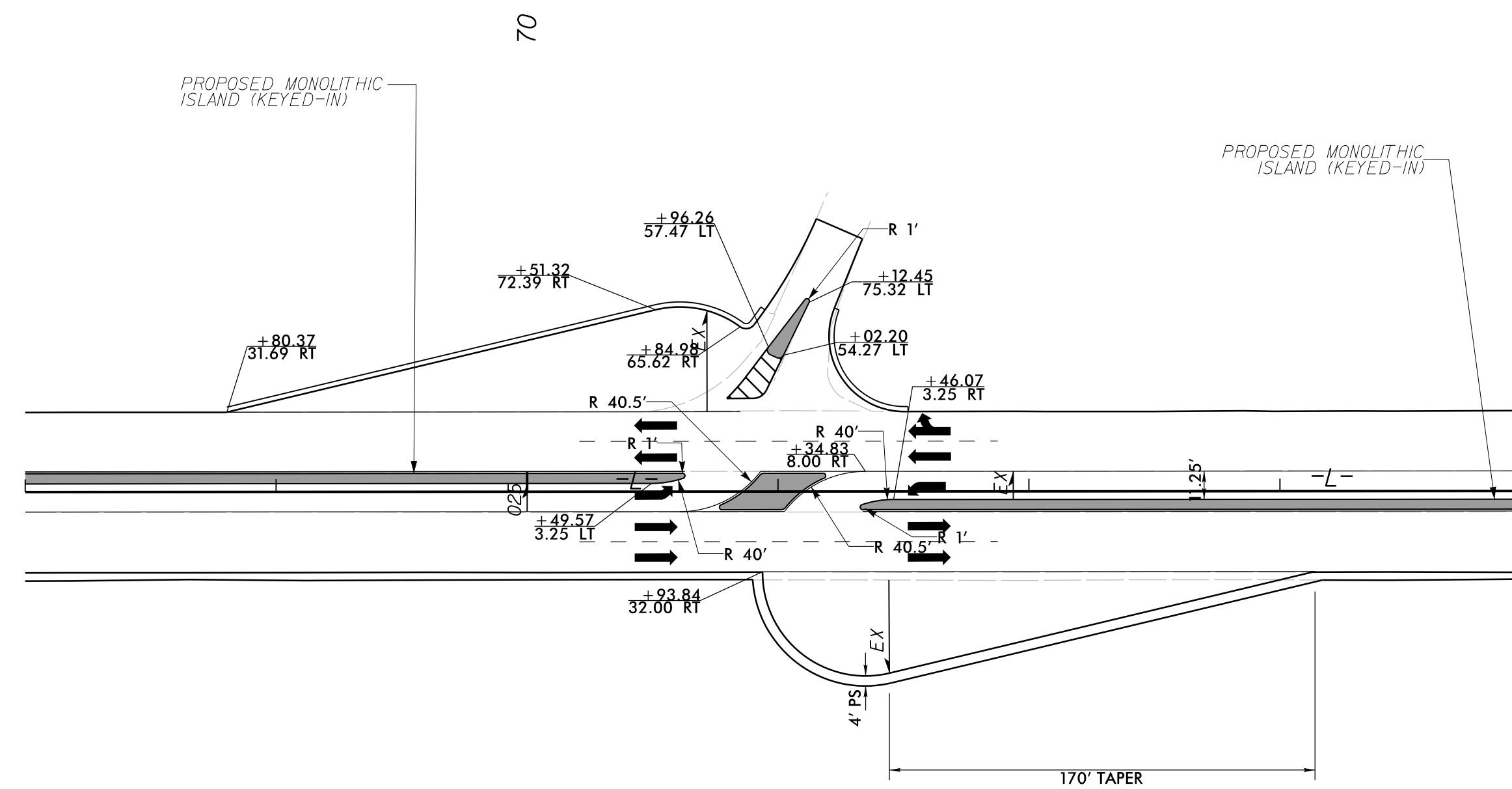
NOTE: ALL RADII 2' UNLESS OTHERWISE NOTED



SEE SHEET 7 FOR -L- PLAN

INTERSECTION DETAIL -L- STA. 68+00-74+00

NOTE: ALL RADII 2' UNLESS OTHERWISE NOTED



SEE SHEET 8 FOR -L- PLAN

REVISIONS

5/23/2018
U:\Roadway\Pro\W5601EV.rdj_psh2B-2.dgn
-chao