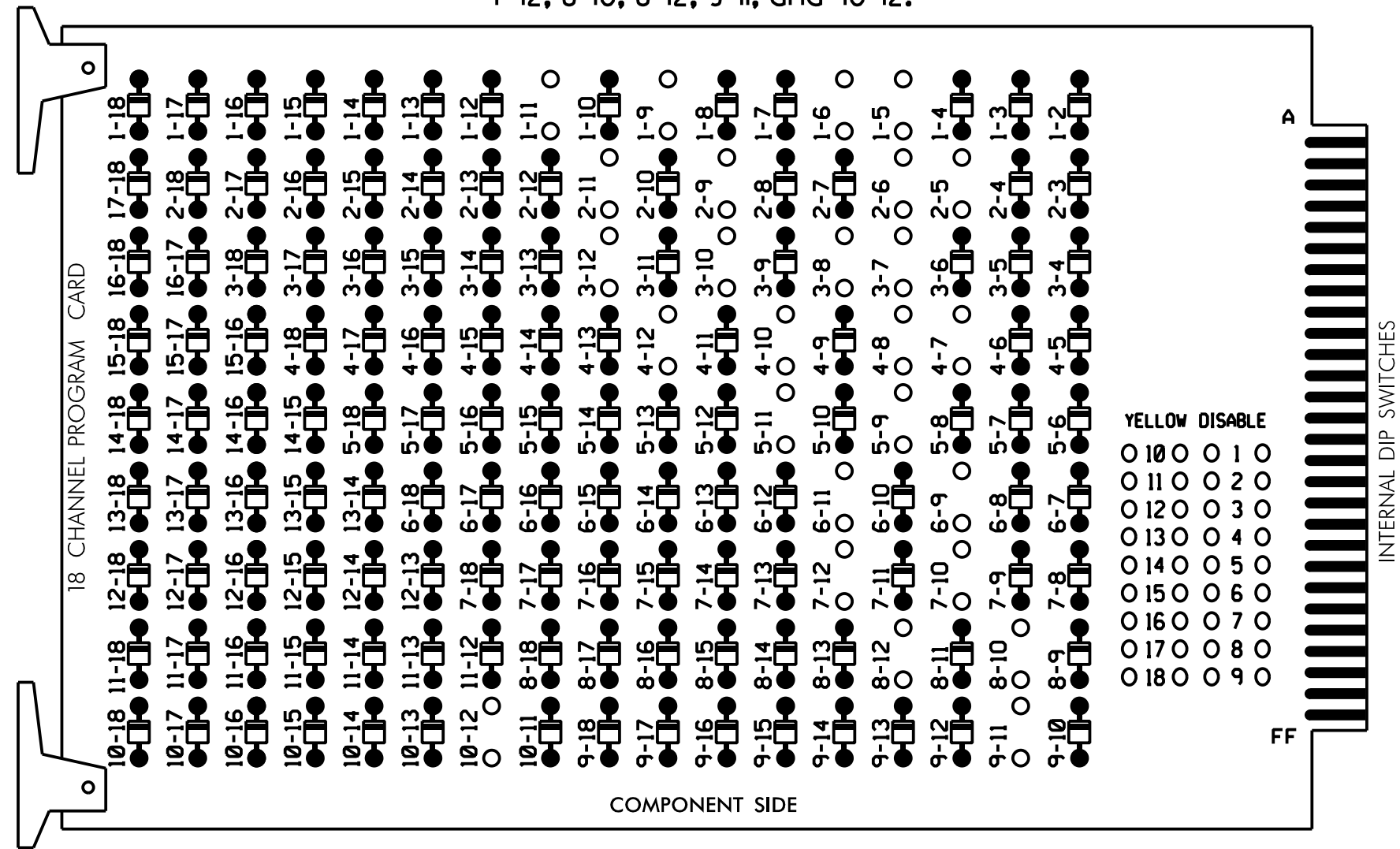


EDI MODEL 2018EClip-NC CONFLICT MONITOR PROGRAMMING DETAIL

(remove jumpers and set switches as shown)

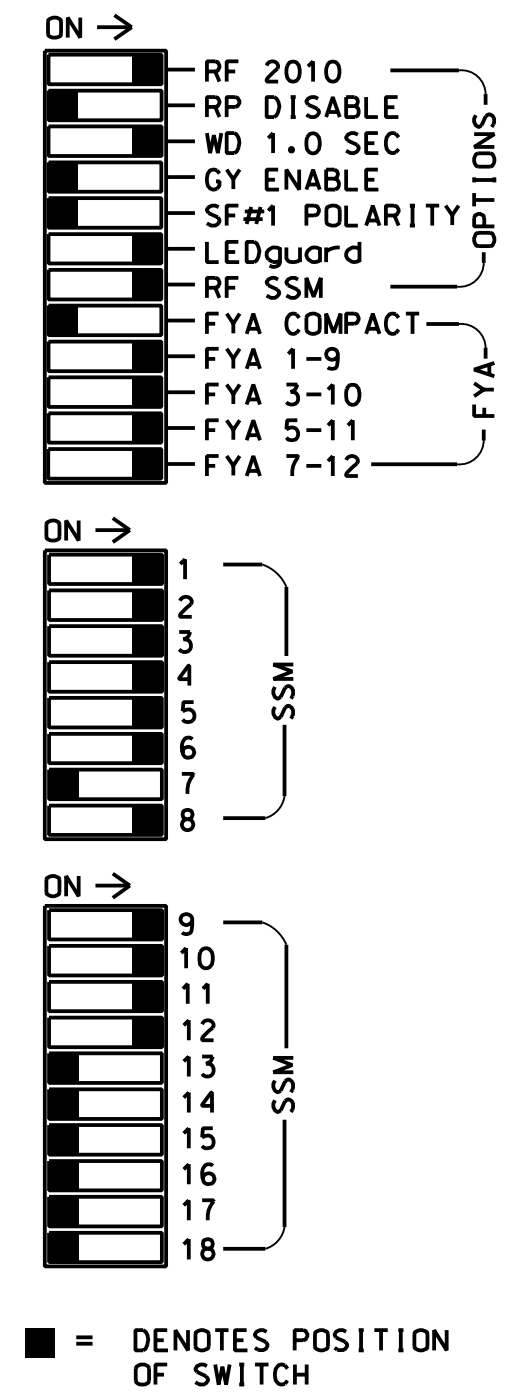
REMOVE DIODE JUMPERS 1-5, 1-6, 1-9, 1-11, 2-5, 2-6, 2-9, 2-11, 3-7, 3-8, 3-10, 3-12, 4-7, 4-8, 4-10, 4-12, 5-9, 5-11, 6-9, 6-11, 7-10, 7-12, 8-10, 8-12, 9-11, and 10-12.



REMOVE JUMPERS AS SHOWN

NOTES:

- Card is provided with all diode jumpers in place. Removal of any jumper allows its channels to run concurrently.
- Ensure jumpers SEL2-SEL5 and SEL9 are present on the monitor board.
- Ensure that Red Enable is active at all times during normal operation.



NOTES

- To prevent "flash-conflict" problems, insert red flash program blocks for all unused vehicle load switches in the output file. The installer shall verify that signal heads flash in accordance with the Signal Plans.
- Program phases 4 and 8 for Dual Entry.
- Enable Simultaneous Gap-Out for all Phases.
- Program phases 2 and 6 for Startup In Green.
- Program phases 2 and 6 for Yellow Flash, and overlaps 1 and 2 as Wag Overlaps.
- The cabinet and controller are part of the Gilead Road Closed Loop System.

EQUIPMENT INFORMATION

CONTROLLER.....2070E
 CABINET.....332 W/ AUX
 SOFTWARE.....ECONOLITE OASIS
 CABINET MOUNT.....BASE
 OUTPUT FILE POSITIONS...18 WITH AUX. OUTPUT FILE
 LOAD SWITCHES USED.....S1,S2,S4,S5,S7,S8,S10,S11,AUX S1,
 AUX S2, AUX S4, AUX S5

PHASES USED.....1,2,3,4,5,6,7,8
 OVERLAP "A".....1+2
 OVERLAP "B".....3+4
 OVERLAP "C".....5+6
 OVERLAP "D".....7+8

SIGNAL HEAD HOOK-UP CHART

LOAD SWITCH NO.	S1	S2	S3	S4	S5	S6	S7	S8	S9	S10	S11	S12	AUX S1	AUX S2	AUX S3	AUX S4	AUX S5	AUX S6	
CMU CHANNEL NO.	1	2	13	3	4	14	5	6	15	7	8	16	9	10	17	11	12	18	
PHASE	1	2	2 PED	3	4	4 PED	5	6	6 PED	7	8	8 PED	OLA	OLB	SPARE	OLC	OLD	SPARE	
SIGNAL HEAD NO.	11*	82	21,22,23	NU	22	31*	41,42,43	NU	42	51*	61,62,63	NU	71*	81,82,83	NU	31*	51*	71*	NU
RED	*	128		*	101		*	134		107									
YELLOW		129			102			135		* 108									
GREEN		130			103			136		109									
RED ARROW													A121	A124		A114	A101		
YELLOW ARROW	126			117			132						A122	A125		A115	A102		
FLASHING YELLOW ARROW													A123	A126		A116	A103		
GREEN ARROW	127	127		118	118		133	133		124									
Hand																			
Person																			

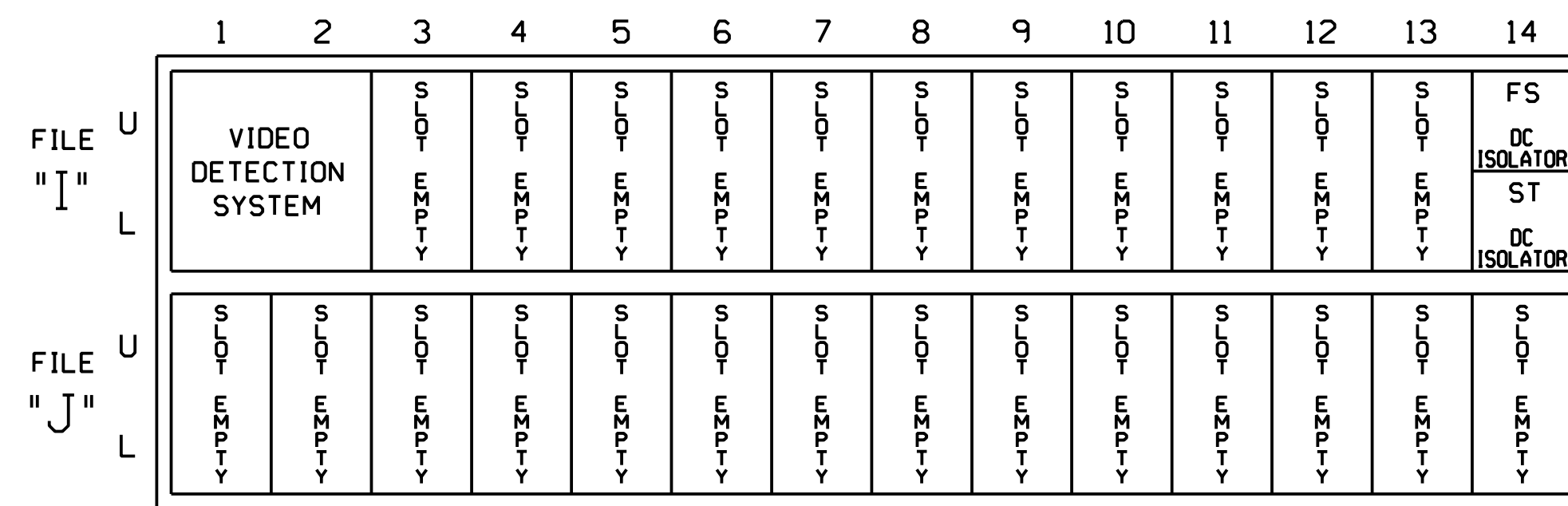
NU = Not Used

* Denotes install load resistor. See load resistor installation detail this sheet.

* See pictorial of head wiring in detail this sheet.

INPUT FILE POSITION LAYOUT

(front view)



EX.: 1A, 2A, ETC. = LOOP NO.'S

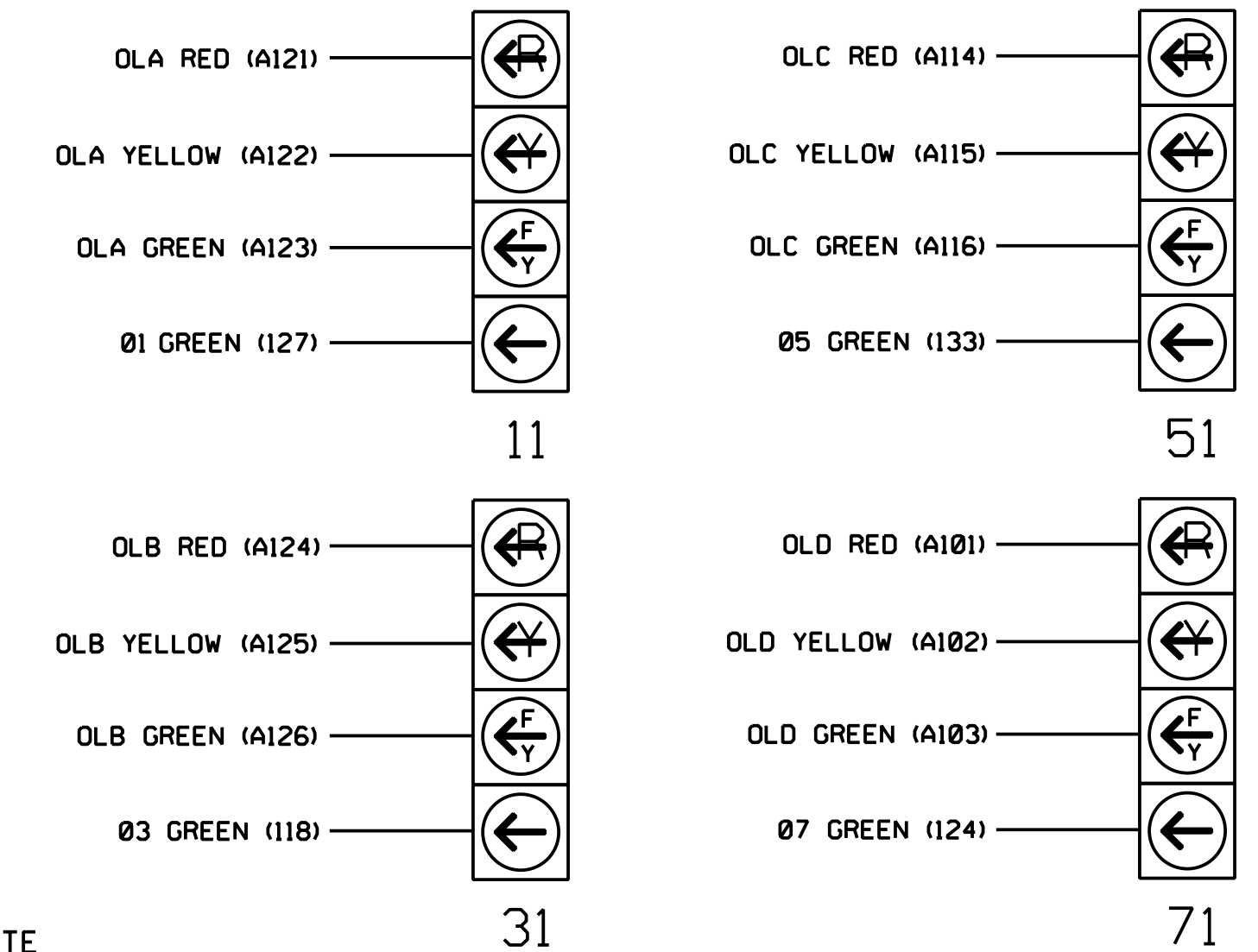
FS = FLASH SENSE
ST = STOP TIME

SPECIAL DETECTOR NOTE

Install a video detection system for vehicle detection. Perform installation according to manufacturer's directions and NCDOT engineer-approved mounting locations to accomplish the detection schemes shown on the Signal Design Plans.

FYA SIGNAL WIRING DETAIL

(wire signal heads as shown)

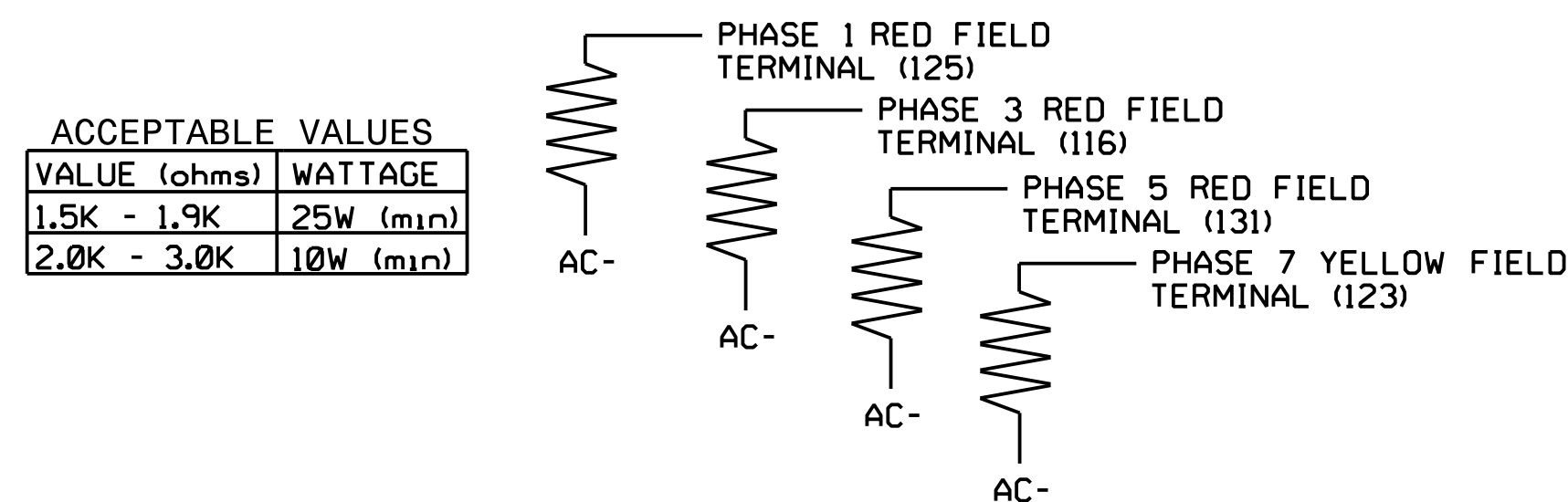


NOTE

The sequence display for signal heads 11, 31, 51, and 71 requires special logic programming. See sheet 2 for programming instructions.

LOAD RESISTOR INSTALLATION DETAIL

(install resistors as shown below)



THIS ELECTRICAL DETAIL IS FOR THE SIGNAL DESIGN: 10-0617T1
 DESIGNED: December 2017
 SEALED: 04-23-2018
 REVISED: N/A



HNTB NORTH CAROLINA, P.C.
 343 E. Six Forks Road, Suite 200
 Raleigh, North Carolina 27609
 NC License No: C-1554
 (919) 546-8997

Electrical Detail - Sheet 1 of 2
 Signal Upgrade
 Temporary Design 1

DOCUMENT NOT CONSIDERED FINAL UNLESS ALL SIGNATURES COMPLETED

	SR 2136 (Gilead Road) at US 21 (Statesville Road)	
	Division 10 Mecklenburg Co. Huntersville PLAN DATE: December 2017 PREPARED BY: A.H. Thornburg	REVIEWED BY: A.D. Klinksiek REVIEWED BY: N.R. Simmons
REVISIONS INIT. DATE	INIT. DATE	DocuSigned by: Natasha R. Simmons SIGNATURE DATE 4/23/2018 SIG. INVENTORY NO. 10-0617 T1