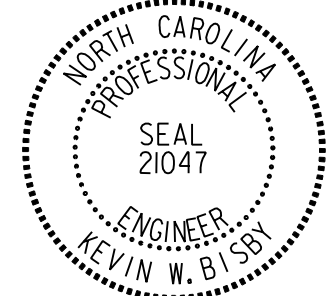
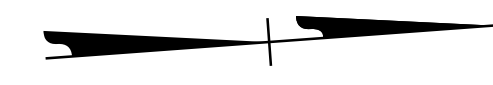
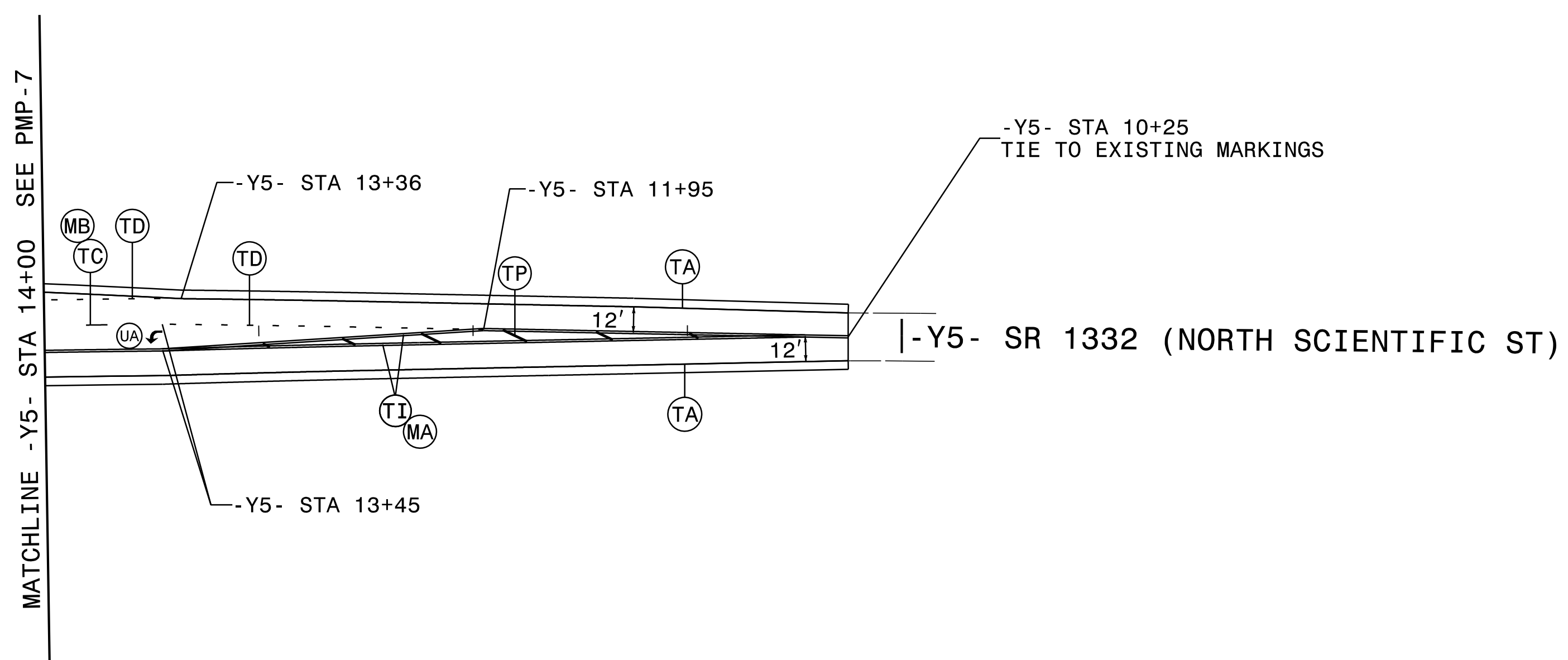


PROJECT REFERENCE NO. U-2412A	SHEET NO. PMP-22
APPROVED: <i>Kevin W. Bisby</i> <small>DocuSigned by: Kevin W. Bisby 3CE3C9A8DF464B1...</small>	
DATE: 3/18/2018	
SEAL	
	
<b>DOCUMENT NOT CONSIDERED FINAL UNLESS ALL SIGNATURES COMPLETED</b>	



00+01



3/18/2018 PMP\_PSH22.dgn

PLANS PREPARED BY :

**RK&K**

RUMMEL, KLEPPER & KAHL, LLP  
 900 RIDGEFIELD DRIVE SUITE 350  
 RALEIGH, NORTH CAROLINA 27609-3960  
 NC LICENSE NO. F-0112 • (919) 878-9560

LANE WIDTHS 12' UNLESS OTHERWISE SHOWN.

PAVEMENT MARKING DETAIL