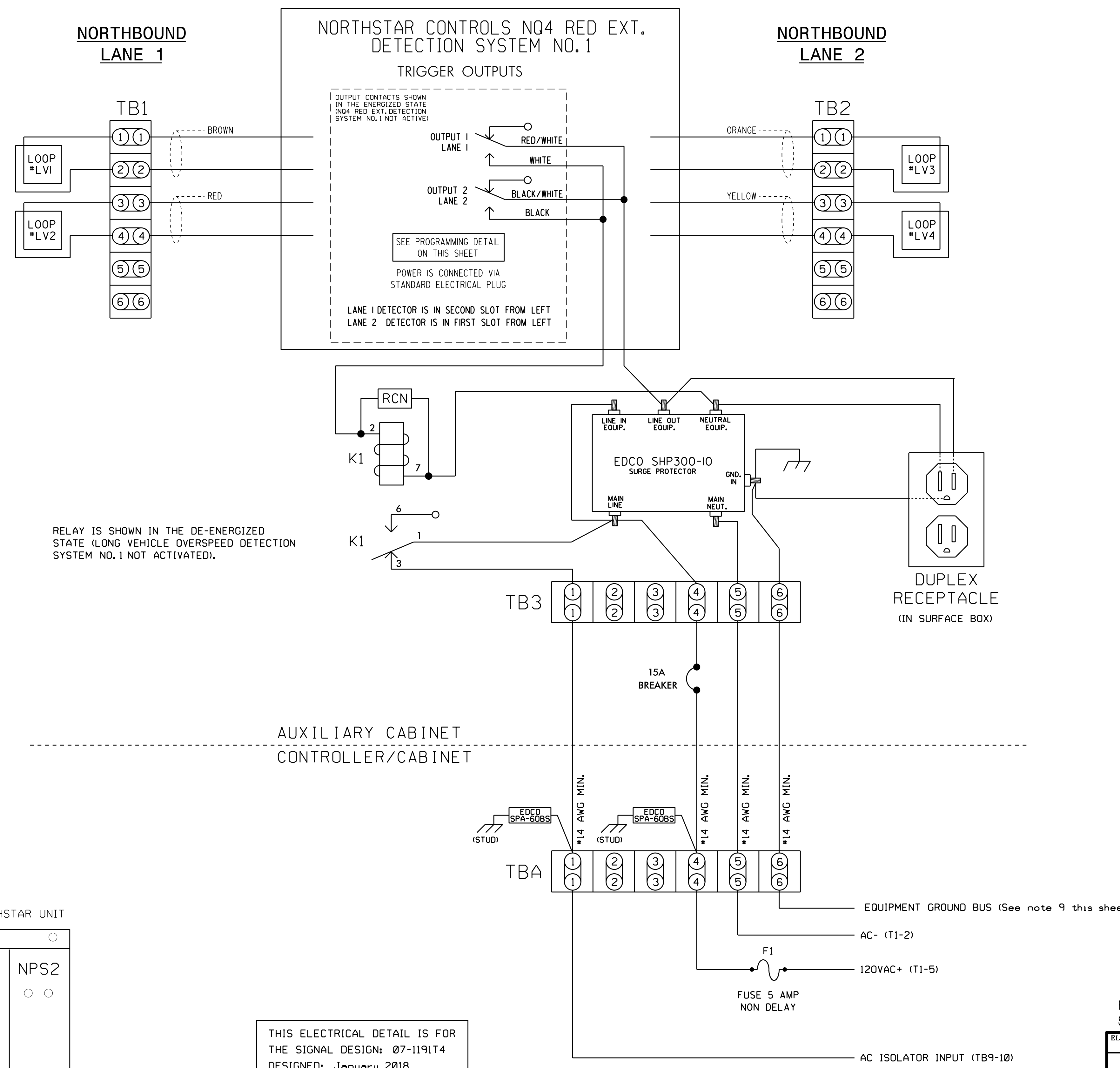


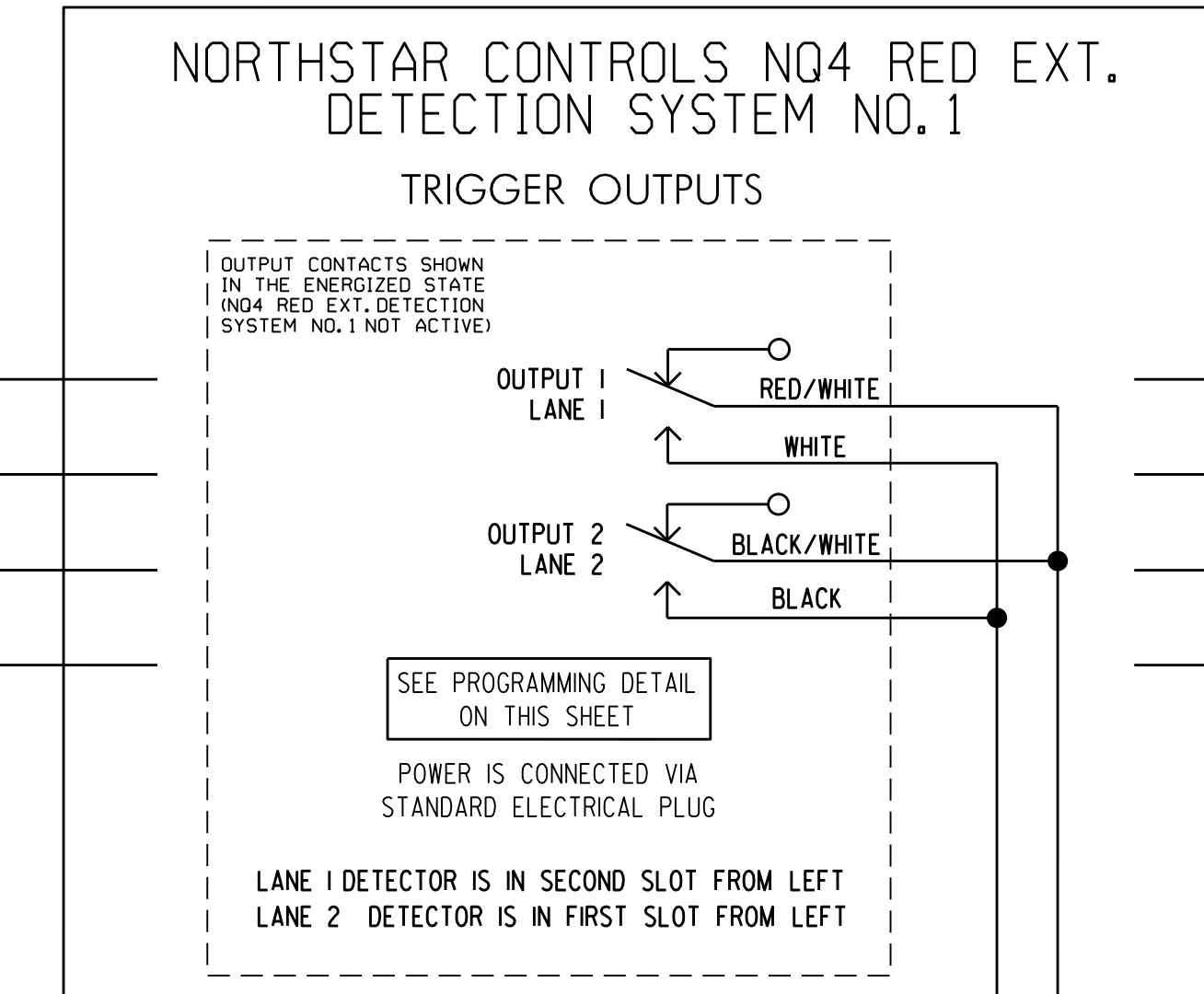
(wire unit as shown below)

NOTES

1. Loop spacing is critical to the proper operation of this Overspeed Detection system. Make sure loop spacing is correctly programmed in the NQ4 unit.
2. The NQ4 unit shall be located in an auxiliary cabinet adjacent to the Long Vehicle Overspeed Detection loops.
3. Relay K1 is an enclosed SPDT general purpose relay with a 120VAC coil, 10A contacts, and octal style plug.
4. The RC network across the coil of K1 is 0.1 micro farad, 100 ohm.
5. EDCO SPA-60BS is a surge protector for 120VAC interconnect circuits.
6. EDCO SHP300-10 is an AC service surge protector.
7. Terminal strips TB1, TB2, TB3, and TBA to be added by the installer.
8. DO NOT install ground rods at the auxiliary cabinet.
9. Install equipment ground from the controller cabinet to the auxiliary cabinet if not already present.
10. Install a disconnect at the auxiliary cabinet if there is no disconnect already present.
11. IMPORTANT! A jumper must be installed between Input File terminals J14-E and J14-K.
12. IMPORTANT! For proper operation of the Dynamic Red Extension System, tie TB9-12 to AC neutral.
13. IMPORTANT! Make sure both channels of the AC Isolator card inserted in Input File slot J14 are set for INVERTED OUTPUT operation. See sheet 6 of this electrical detail.



RELAY IS SHOWN IN THE DE-ENERGIZED STATE (LONG VEHICLE OVERSPEED DETECTION SYSTEM NO.1 NOT ACTIVATED).



NORTHSTAR CONTROLS MODEL NQ4 PROGRAMMING DETAIL

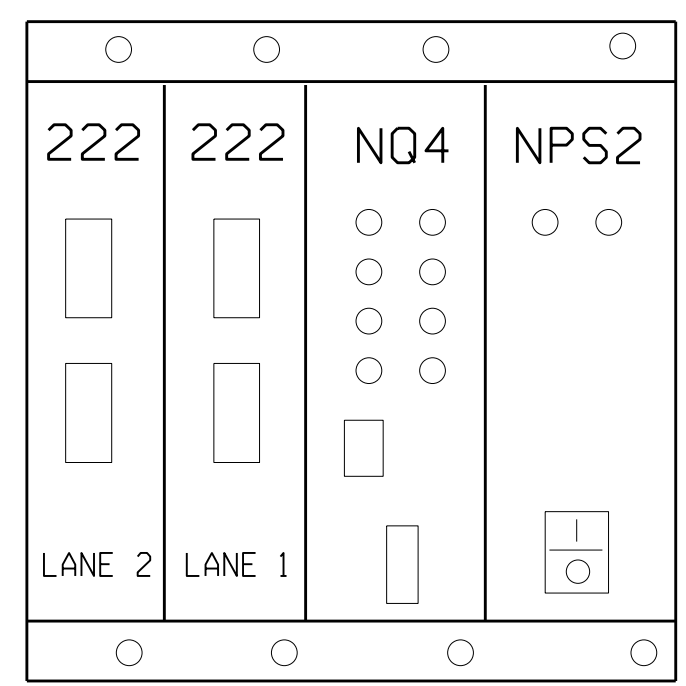
(program unit as shown below)

NOTE: Unit must be programmed using a PC and a terminal emulator program. For connection to the terminal emulator, refer to the NQ4 operation manual.

Program the NQ4 by typing the following commands:

1. SET SPEED = 55
2. SET LENGTH = 22'
3. SET ALARMTIME = 12
4. SET SEPARATION = 16' (leading edge to leading edge - program actual measured separation)
5. SET LOOP LENGTH = 6' (program actual measured loop length)
6. SAVE

FRONT VIEW OF NORTHSTAR UNIT



THIS ELECTRICAL DETAIL IS FOR THE SIGNAL DESIGN: 07-1191T4
 DESIGNED: January 2018
 SEALED: 2/7/2018
 REVISED: N/A

Electrical Detail - Temporary Design 4 (TMP Phase IV)
 Sheet 7 of 8

ELECTRICAL AND PROGRAMMING DETAILS FOR: Prepared In the Offices of: 750 N. Greenfield Pkwy, Garner, NC 27529	I-85 Bus. / US 29-70 at SR 1144 (River Road)		DOCUMENT NOT CONSIDERED FINAL UNLESS ALL SIGNATURES COMPLETED SEAL KEITH M. MIMS ENGINEER 036880
	Division 7 PLAN DATE: February 2018 PREPARED BY: S. Armstrong	Guilford County REVIEWED BY: REVIEWED BY:	

08-FEB-2018 11:42
 C:\P\TSS\1191T4\SIGNAL\WORK\HARDWARE\071191_sm_elec_xxx.dgn
 sarmstrong