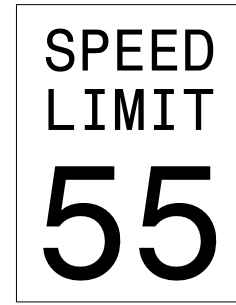


APPROVED: *Ayman Aljoudah*
F32AC5CAF965472
 DATE: 12/12/2017



**DOCUMENT NOT CONSIDERED FINAL
UNLESS ALL SIGNATURES COMPLETED**


401 QUANTITY REQ'D 1




24" X 30"
R2-1

ONE "U" POST PER SIGN

501 QUANTITY REQ'D 1



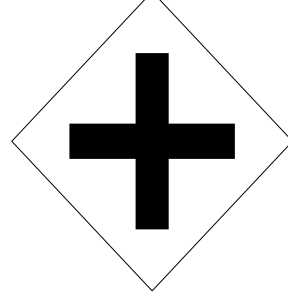
24" X 12"



24" X 24"

ONE "U" POST PER SIGN

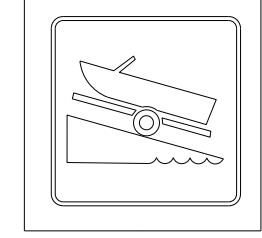
402 QUANTITY REQ'D 1



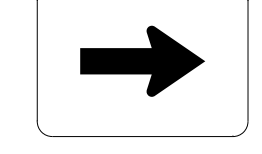
30" X 30"
W2-1

ONE "U" POST PER SIGN

502 QUANTITY REQ'D 1



24" X 24"
RS-054




21" X 15"
M6-1

WHITE LEGEND/BORDER
BROWN BACKGROUND

ONE "U" POST PER SIGN

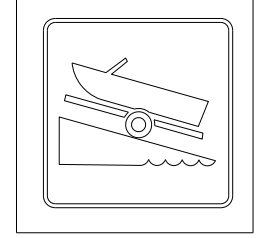
403 QUANTITY REQ'D 1



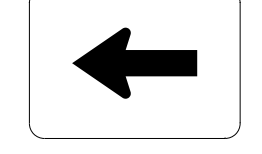
18" X 18"
W13-1P

MOUNT BELOW SIGN 402
IN .1. INSTALLATIONS

503 QUANTITY REQ'D 1



24" X 24"
RS-054



21" X 15"
M6-1

WHITE LEGEND/BORDER
BROWN BACKGROUND

ONE "U" POST PER SIGN

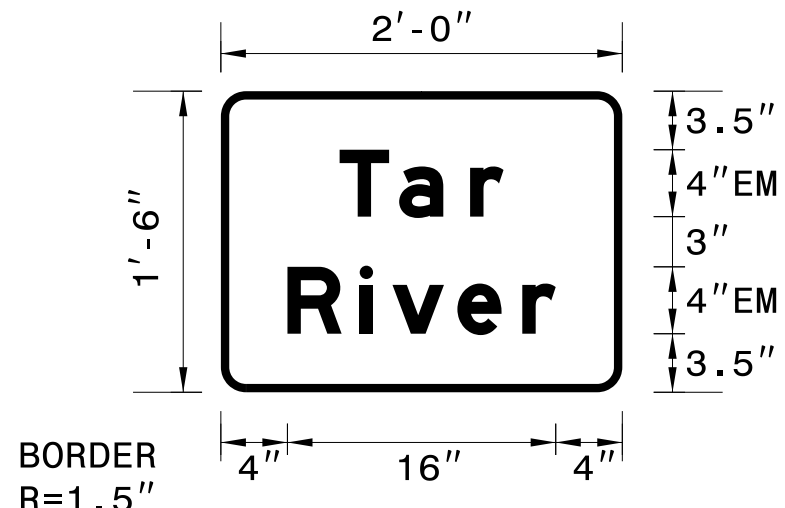
SIGN NUMR: 301,302 TYPE: D Ground QUANTITY: 2	BACKG. COLOR: Green COPY COLOR: White	DESIGN BY: DME PROJECT ID: B-4932	CHECKED BY: AIA LOCATION: Edgecombe Co.	DATE: Nov 09, 2017 DIV: 04	N. C. DEPARTMENT OF TRANSPORTATION DIVISION OF HIGHWAYS TRANSPORTATION MOBILITY AND SAFETY SIGNING AND DELINEATION
---	--	--------------------------------------	--	-------------------------------	---

SIGN WIDTH: 2'-0"
HEIGHT: 1'-6"
TOTAL AREA: 3.0 Sq.Ft.

SYMBOL	X	Y	WID	HT

MAT'L: 0.063" ALUMINUM

BORDER TYPE: FLUSH
RECESS: 0"
WIDTH: 0.5"
RADII: 1.5"
NO. Z BARS:
LENGTH:



BORDER
R=1.5"
TH=0.5"

USE NOTES: 2,5

- Legend and border shall be direct applied Grade A reflective sheeting.
- Legend and border shall be direct applied Grade C reflective sheeting.
- Shields shall be Grade A reflective sheeting on 0.032" aluminum and demountable.
- Background shall be Grade B reflective sheeting.
- Background shall be Grade C reflective sheeting.
- Center arrow(s) vertically on sign.

Letter spacings are to start of next letter										Series/Size
										Text Length
T	a	r								EM 2000
7.1	3.6	4.2	2	7.1						9.8
R	i	v	e	r						EM 2000
4	4.3	2	3.9	3.9	2	4				16

Spacing Factor is 1 unless specified otherwise
FILENAME: GSENG

**TYPE "D" SIGN DESIGN
TYPE "E" & "F" SIGNS**

SYSTEMS DESIGN CONSULTANTS
 11000 WILSON ROAD
 SUITE 100
 FARMERS BRANCH, NC 27834
 TEL: 919.487.8800
 FAX: 919.487.8801
 WWW.SDCON.COM