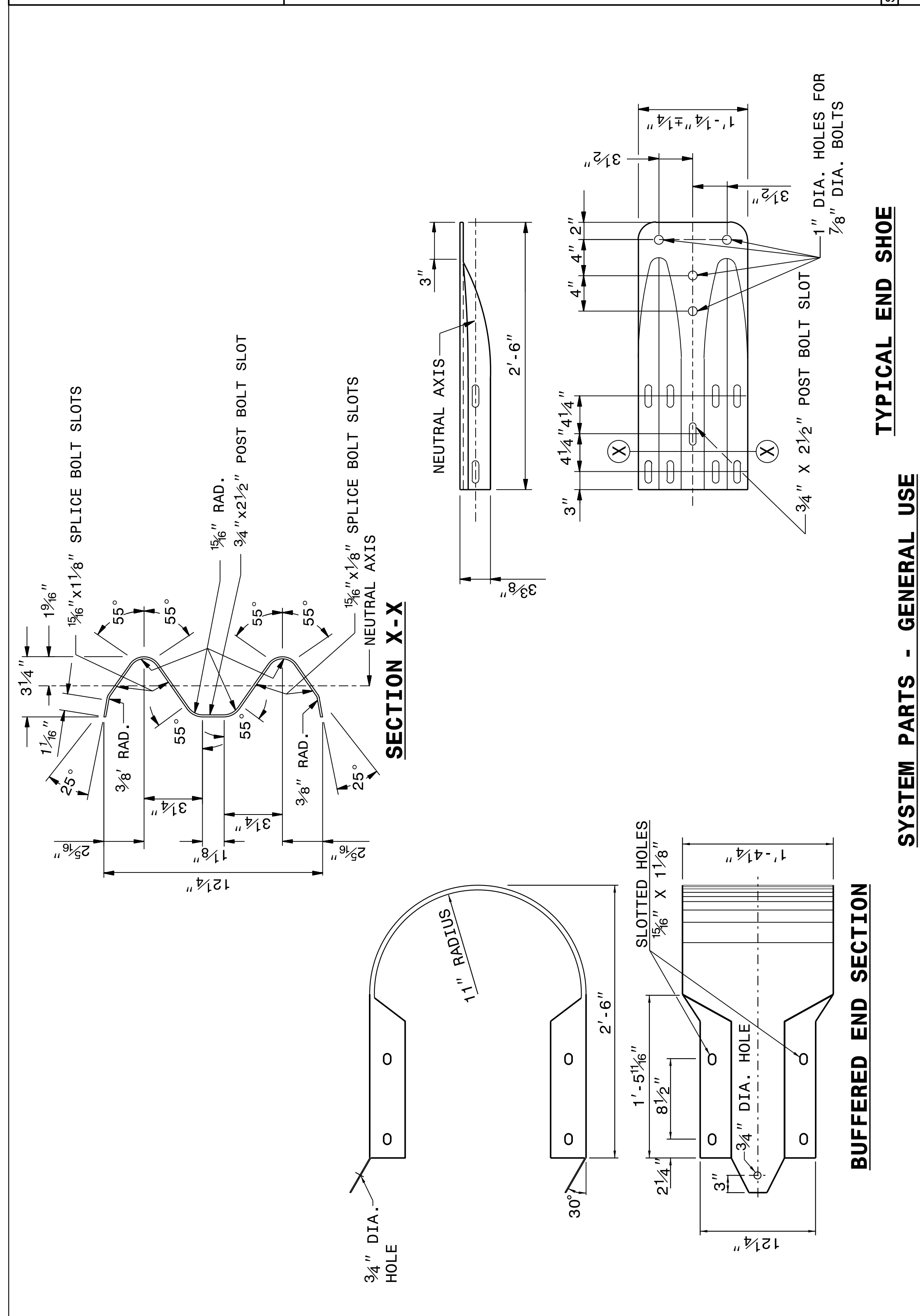


STATE OF  
NORTH CAROLINA  
DEPT. OF TRANSPORTATION  
DIVISION OF HIGHWAYS  
RALEIGH, N.C.

ROADWAY DETAIL DRAWING FOR  
GUARDRAIL INSTALLATION

SHEET 8 OF 8  
**862D02**



STATE OF  
NORTH CAROLINA  
DEPT. OF TRANSPORTATION  
DIVISION OF HIGHWAYS  
RALEIGH, N.C.

ROADWAY DETAIL DRAWING FOR  
GUARDRAIL INSTALLATION

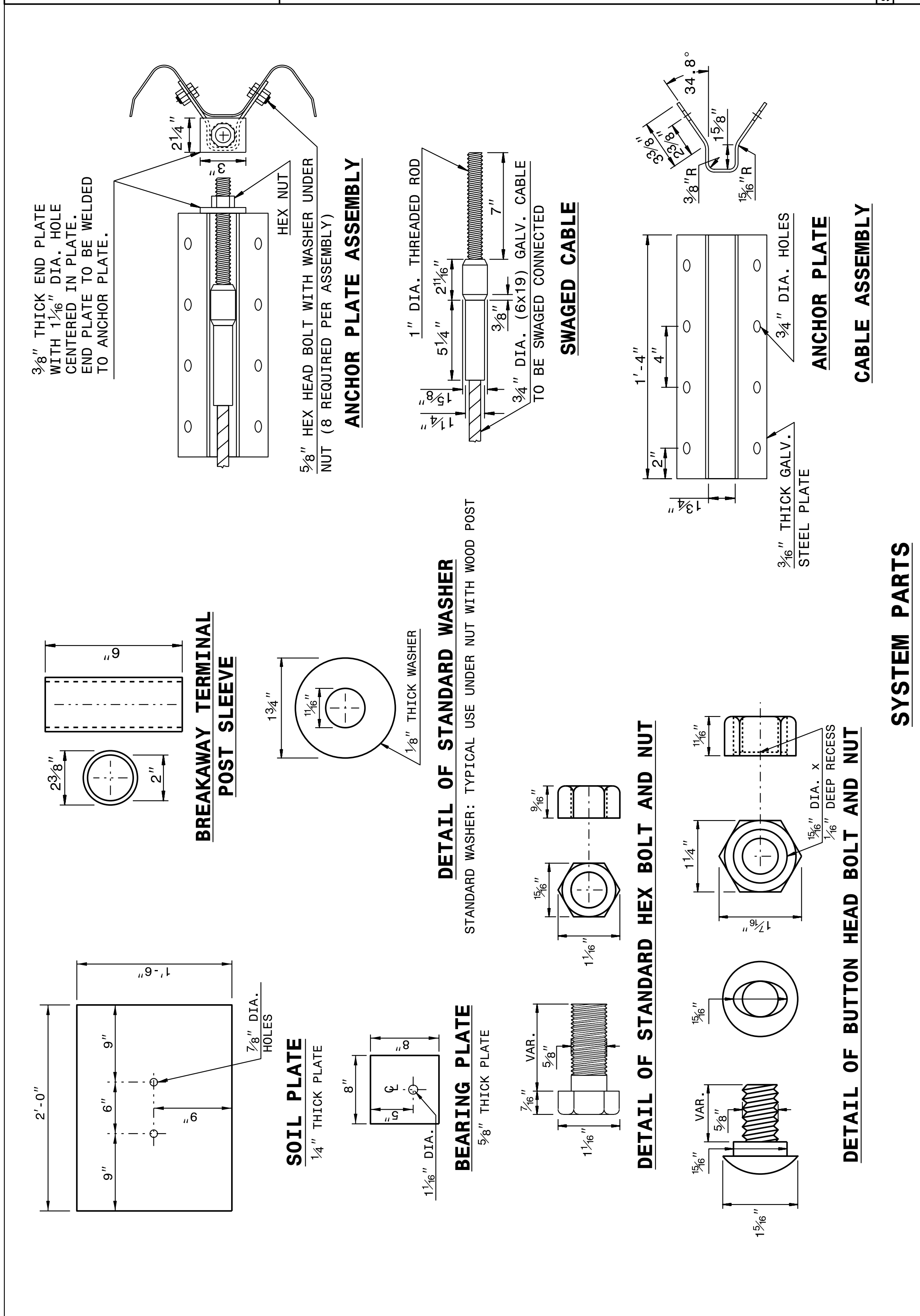
SHEET 8 OF 8  
**862D02**

05-JUL-2017 15:48 S:\Contracts\Projects\Special Details\Standard Drawings\Division 8\862d01 862d03 862d03\862d02.dgn J.Howerton AT\_CSD-252595

STATE OF  
NORTH CAROLINA  
DEPT. OF TRANSPORTATION  
DIVISION OF HIGHWAYS  
RALEIGH, N.C.

ROADWAY DETAIL DRAWING FOR  
GUARDRAIL INSTALLATION

SHEET 7 OF 8  
**862D02**



STATE OF  
NORTH CAROLINA  
DEPT. OF TRANSPORTATION  
DIVISION OF HIGHWAYS  
RALEIGH, N.C.

ROADWAY DETAIL DRAWING FOR  
GUARDRAIL INSTALLATION

SHEET 7 OF 8  
**862D02**

DOCUMENT NOT CONSIDERED FINAL  
UNLESS ALL SIGNATURES COMPLETED

**CONTRACT STANDARDS  
AND DEVELOPMENT UNIT**  
Office 919-707-6950 FAX 919-250-4119

**SEE TITLE BLOCK**  
ORIGINAL BY: J. HOWERTON DATE: 06-22-12  
MODIFIED BY: DATE:  
CHECKED BY: DATE:  
FILE SPEC.: DATE:

