
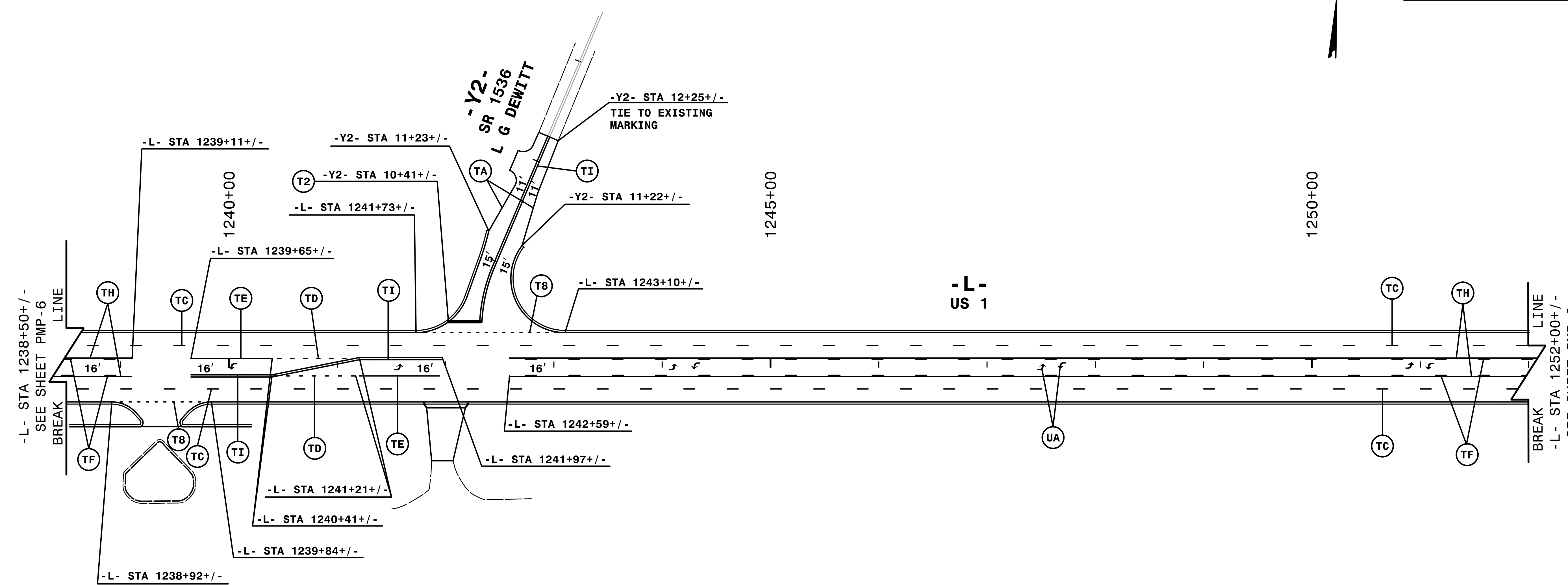


TIP NO. R-2501C	SHEET NO. PMP-7
APPROVED: <i>Andrew D. Klinsky</i> E3078F84595E448 2/5/2018	
DATE: 2/5/2018	
SEAL 	
DOCUMENT NOT CONSIDERED FINAL UNLESS ALL SIGNATURES COMPLETED	



NOTE: ALL LANE WIDTHS ARE 12' UNLESS OTHERWISE SHOWN.
ENGINEER TO APPROVE LOCATION OF ALL UNSIGNALIZED STOPBARS.

HNTB
HNTB NORTH CAROLINA, P.C.
343 E. SIX FORKS ROAD, SUITE 200
RALEIGH, NORTH CAROLINA 27609
NC License No: C-1554
(919) 546-8997

PAVEMENT MARKING DETAIL

2/5/2018
T:\GFF\c\pmp\R2501C_PMP_07.dgn
HNTB