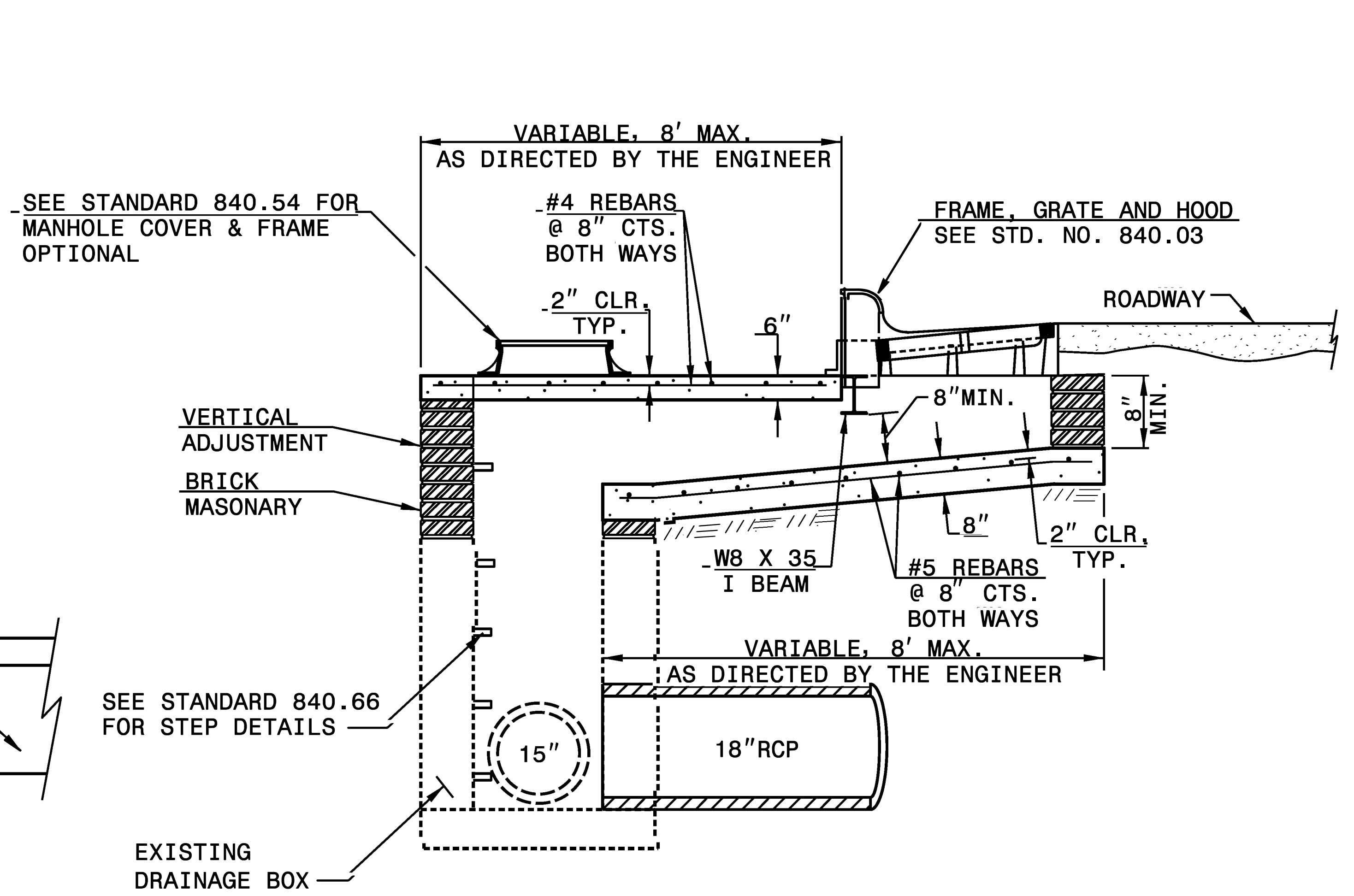
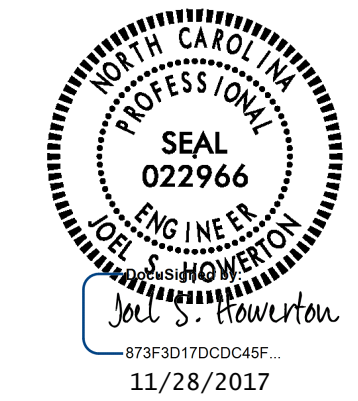


PLAN



SECTION X-X

NOTES:
MORTAR JOINTS 1/2" TO 1/4" THICK.
USE CLASS "B" CONCRETE THROUGHOUT.
USE TYPE "E", "F" AND "G" GRATES UNLESS OTHERWISE INDICATED.
USE BRICK OR CONCRETE BLOCK WHICH COMPLIES WITH THE REQUIREMENTS OF SECTION 840 OF THE STANDARD SPECIFICATIONS.
CHAMFER ALL EXPOSED CORNERS 1".
ALL CONVERSIONS SHALL BE ACCORDANCE WITH SECTION 859 OF THE STANDARD SPECIFICATIONS.
PROVIDE ALL CATCH BASINS OVER 3'-6" IN DEPTH WITH STEPS 12" ON CENTER. USE STEPS WHICH COMPLY WITH STD. DRAWING NO. 840.66.
DRAWING NOT TO SCALE.



DOCUMENT NOT CONSIDERED FINAL
UNLESS ALL SIGNATURES COMPLETED

CONTRACT STANDARDS & DEVELOPMENT UNIT
STANDARDS AND SPECIAL DESIGN
Office 919-707-6950 FAX 919-250-4119

CONVERSION OF EXISTING DRAINAGE BOX TO CATCH BASIN

ORIGINAL BY: E.E. WARD DATE: 1-24-02
MODIFIED BY: KKEMPF DATE: 11-08-17
CHECKED BY: DATE:
FILE SPEC.: nbritt/english/hydro/edb to offsetcb.dwg

11/28/2017 11:28:17 AM
C:\Users\jsho\OneDrive\Documents\Projects\U-5795\Drawings\2C-6.dwg
JOEL S. HOWERTON
PROFESSIONAL ENGINEER
STATE OF NORTH CAROLINA
LICENSE NO. 022966
11/28/2017