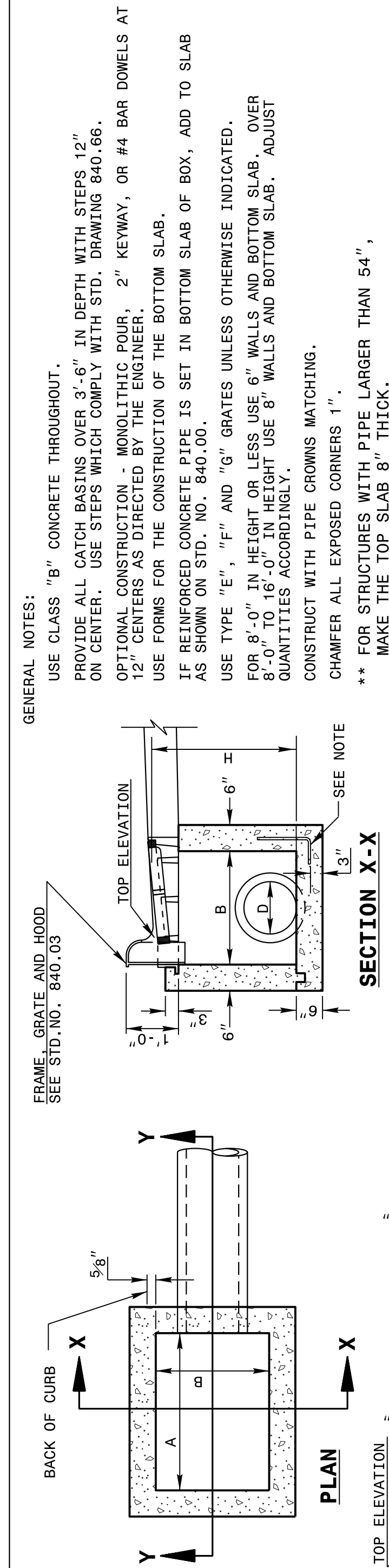


STATE OF
 NORTH CAROLINA
 DEPT. OF TRANSPORTATION
 DIVISION OF HIGHWAYS
 RALEIGH, N.C.

ENGLISH DETAIL DRAWING FOR
**MINIMUM DEPTH
 CONCRETE CATCH BASIN**
 12" THRU 84" PIPE

SHEET 1 OF 2
840D02

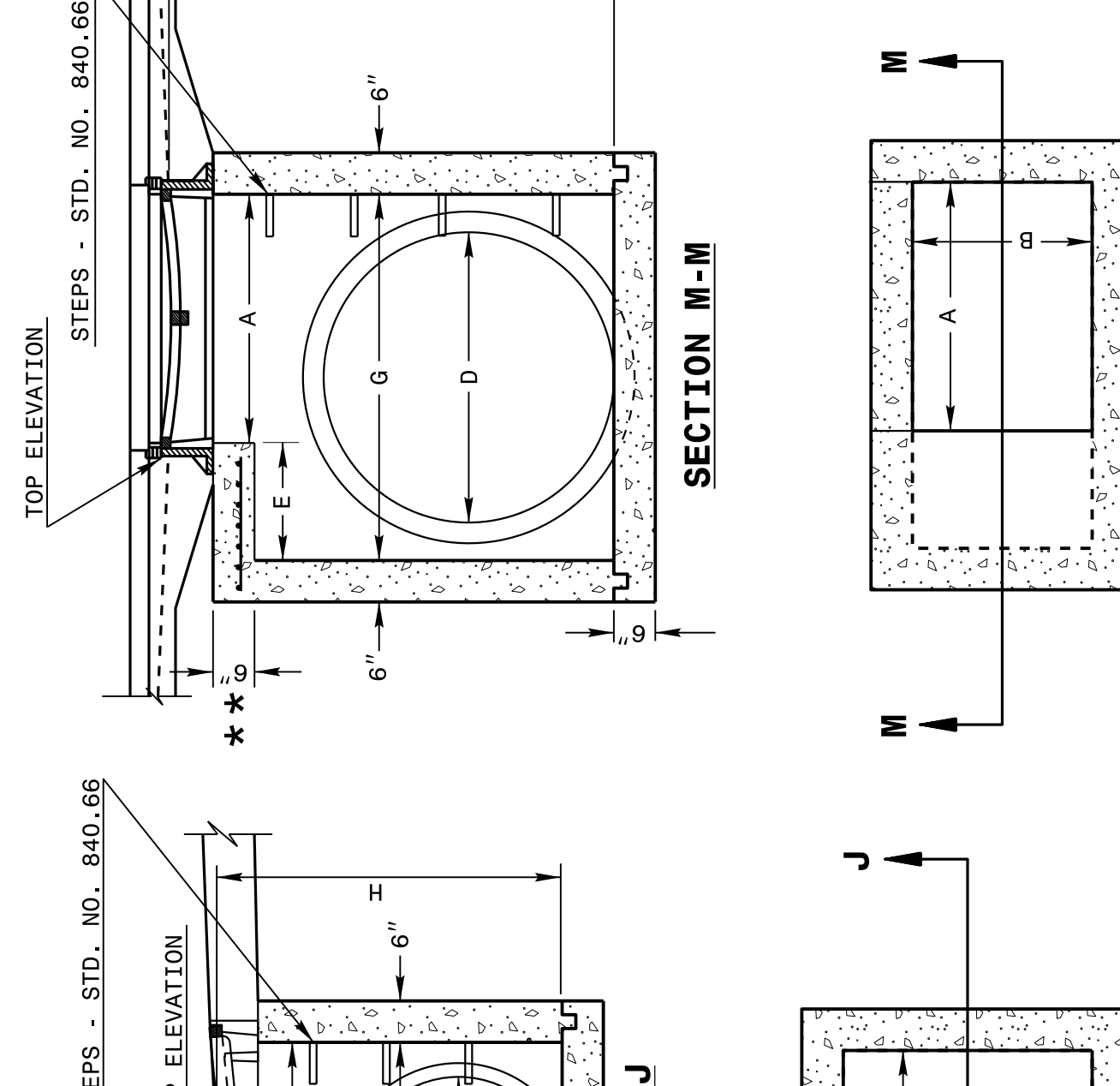


STATE OF
 NORTH CAROLINA
 DEPT. OF TRANSPORTATION
 DIVISION OF HIGHWAYS
 RALEIGH, N.C.

ENGLISH DETAIL DRAWING FOR
**MINIMUM DEPTH
 CONCRETE CATCH BASIN**
 12" THRU 84" PIPE

SHEET 1 OF 2
840D02

GENERAL NOTES:
 USE CLASS "B" CONCRETE THROUGHOUT.
 PROVIDE ALL CATCH BASINS OVER 3'-6" IN DEPTH WITH STEPS 12" ON CENTER. USE STEPS WHICH COMPLY WITH STD. DRAWING 840.66.
 OPTIONAL CONSTRUCTION - MONOLITHIC POUR, 2" KEYWAY, OR #4 BAR DOWELS AT 12 CENTERS AS DIRECTED BY THE ENGINEER.
 USE FORMS FOR THE CONSTRUCTION OF THE BOTTOM SLAB.
 IF REINFORCED CONCRETE PIPE IS SET IN BOTTOM SLAB OF BOX, ADD TO SLAB AS SHOWN ON STD. NO. 840.00.
 USE TYPE "E", "F" AND "G" GRATES UNLESS OTHERWISE INDICATED.
 FOR 8'-0" IN HEIGHT OR LESS USE 6" WALLS AND BOTTOM SLAB. OVER 8'-0" TO 16'-0" IN HEIGHT USE 8" WALLS AND BOTTOM SLAB. ADJUST QUANTITIES ACCORDINGLY.
 CONSTRUCT WITH PIPE CROWNS MATCHING.
 CHAMFER ALL EXPOSED CORNERS 1".
 ** FOR STRUCTURES WITH PIPE LARGER THAN 54", MAKE THE TOP SLAB 8" THICK.



DETAIL SHOWING METHOD OF RISER CONSTRUCTION

STATE OF
 NORTH CAROLINA
 DEPT. OF TRANSPORTATION
 DIVISION OF HIGHWAYS
 RALEIGH, N.C.

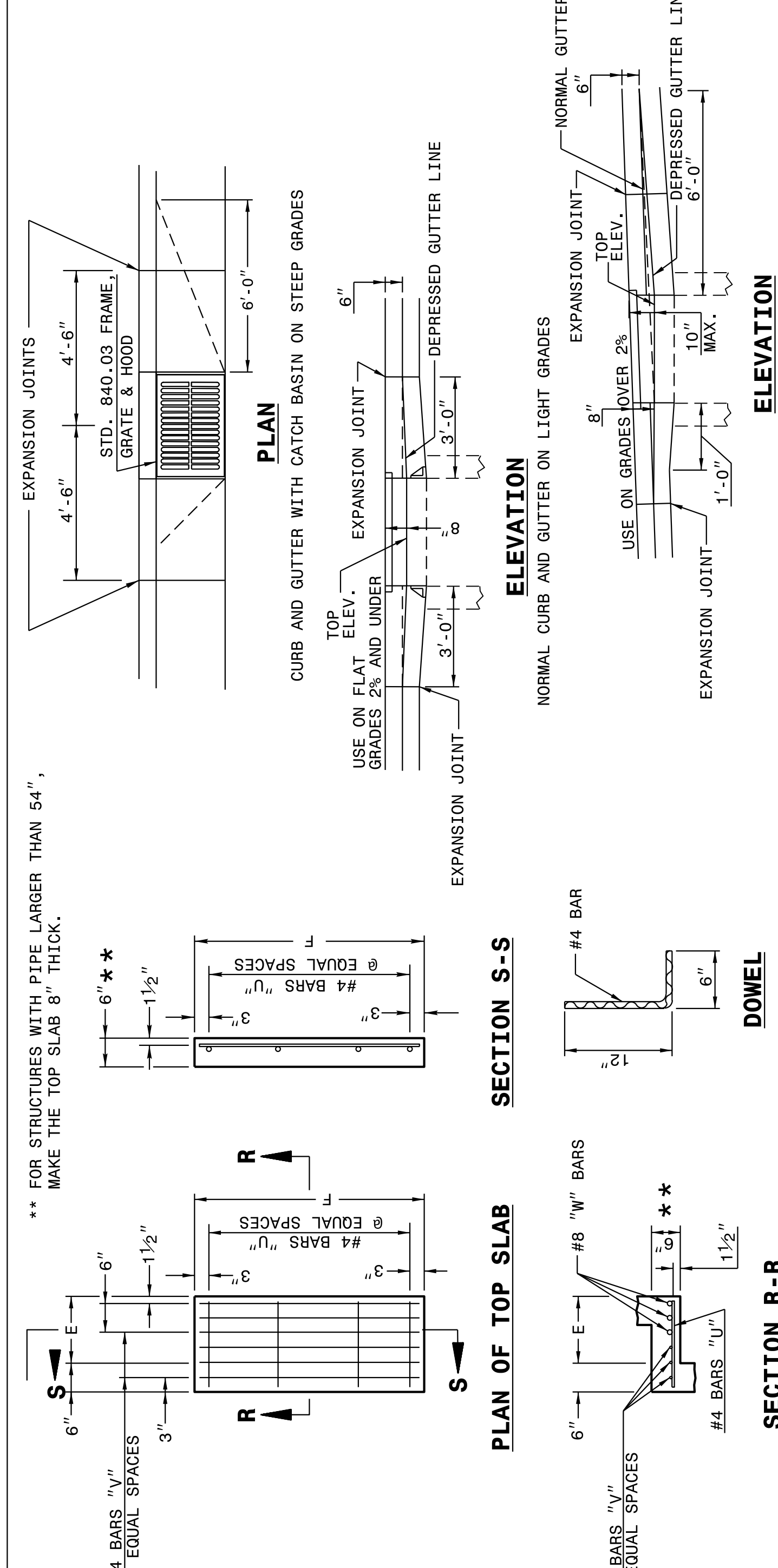
ENGLISH DETAIL DRAWING FOR
**MINIMUM DEPTH
 CONCRETE CATCH BASIN**
 12" THRU 84" PIPE

SHEET 1 OF 2
840D02

STATE OF
 NORTH CAROLINA
 DEPT. OF TRANSPORTATION
 DIVISION OF HIGHWAYS
 RALEIGH, N.C.

ENGLISH DETAIL DRAWING FOR
**MINIMUM DEPTH
 CONCRETE CATCH BASIN**
 12" THRU 84" PIPE

SHEET 2 OF 2
840D02



STATE OF
 NORTH CAROLINA
 DEPT. OF TRANSPORTATION
 DIVISION OF HIGHWAYS
 RALEIGH, N.C.

ENGLISH DETAIL DRAWING FOR
**MINIMUM DEPTH
 CONCRETE CATCH BASIN**
 12" THRU 84" PIPE

SHEET 2 OF 2
840D02

* RISER HAS .228 CUBIC YARDS OF CONCRETE PER FOOT HEIGHT

PIPE D.	DIMENSIONS OF BOX AND PIPE			COVER DIMENSION			BARS-U			BARS-V			BARS-W			TOTAL LBS.	CU. YDS. CONC. IN BOX	DEDUCTIONS		
	SPAN	WIDTH	HEIGHT	E	F	H	NO.	LENGTH	NO.	LENGTH	NO.	LENGTH	NO.	LENGTH	TOP SLAB			BOTTOM SLAB	TOT. CONC. FOR MINIMUM HEIGHT, H	C. M.
12"	3'-0"	2'-2"	2'-0"	2'-0"	0.235	0.772	0.015	0.026	0.015	0.026
15"	3'-0"	2'-2"	2'-3"	2'-3"	0.235	0.829	0.023	0.036	0.023	0.036
18"	3'-0"	2'-2"	3'-1"	3'-1"	0.235	0.887	0.033	0.049	0.033	0.049
24"	3'-0"	2'-2"	3'-10"	3'-10"	0.235	1.001	0.059	0.085	0.059	0.085
30"	3'-0"	2'-2"	3'-4"	1'-2"	4'-4"	4'-4"	4	1'-5"	2	4'-1"	3	4'-1"	3	4'-1"	0.123	0.347	1.433	0.092	0.127	1.433
36"	3'-0"	2'-2"	3'-10"	1'-8"	4'-10"	4'-10"	4	1'-11"	3	4'-7"	3	4'-7"	3	4'-7"	0.161	0.432	1.714	0.132	0.178	1.714
42"	3'-0"	2'-2"	4'-5"	2'-2"	5'-5"	5'-5"	5	2'-5"	4	5'-2"	4	5'-2"	4	5'-2"	0.200	0.543	1.738	0.180	0.243	1.738
48"	3'-0"	2'-2"	5'-0"	2'-10"	6'-0"	6'-0"	5	3'-1"	4	5'-9"	3	5'-9"	3	5'-9"	0.235	0.667	2.052	0.235	0.317	2.052
54"	3'-0"	2'-2"	5'-7"	3'-5"	6'-7"	6'-7"	6	3'-8"	5	6'-4"	3	6'-4"	3	6'-4"	0.289	0.802	2.387	0.287	0.401	2.387
60"	3'-0"	2'-2"	6'-3"	4'-1"	7'-3"	7'-3"	6	4'-4"	5	7'-0"	3	7'-0"	3	7'-0"	0.340	0.973	2.722	0.363	0.546	2.722
66"	3'-0"	2'-2"	6'-11"	4'-9"	7'-11"	7'-11"	7	5'-0"	6	7'-8"	3	7'-8"	3	7'-8"	0.391	1.160	3.057	0.440	0.655	3.057
72"	3'-0"	2'-2"	7'-6"	5'-3"	8'-6"	8'-6"	7	5'-6"	6	8'-3"	3	8'-3"	3	8'-3"	0.442	1.340	3.392	0.524	0.774	3.392
78"	3'-0"	2'-2"	8'-1"	5'-11"	9'-1"	9'-1"	8	6'-2"	7	8'-10"	3	8'-10"	3	8'-10"	0.493	1.530	3.727	0.615	0.893	3.727
84"	3'-0"	2'-2"	8'-9"	6'-7"	9'-9"	9'-9"	8	6'-10"	7	9'-6"	3	9'-6"	3	9'-6"	0.544	1.760	4.062	0.713	1.010	4.062

DOCUMENT NOT CONSIDERED FINAL
 UNLESS ALL SIGNATURES COMPLETED

**CONTRACT STANDARDS
 AND DEVELOPMENT UNIT**
 Office 919-707-6950 FAX 919-250-4119

SEE PLATE FOR TITLE

ORIGINAL BY: 2002 Std.840.01 DATE: _____
 MODIFIED BY: E.E. WARD DATE: 3-1-02
 CHECKED BY: _____ DATE: _____
 FILE SPEC.: s:Special Details/jhowerton/840d02.dgn

