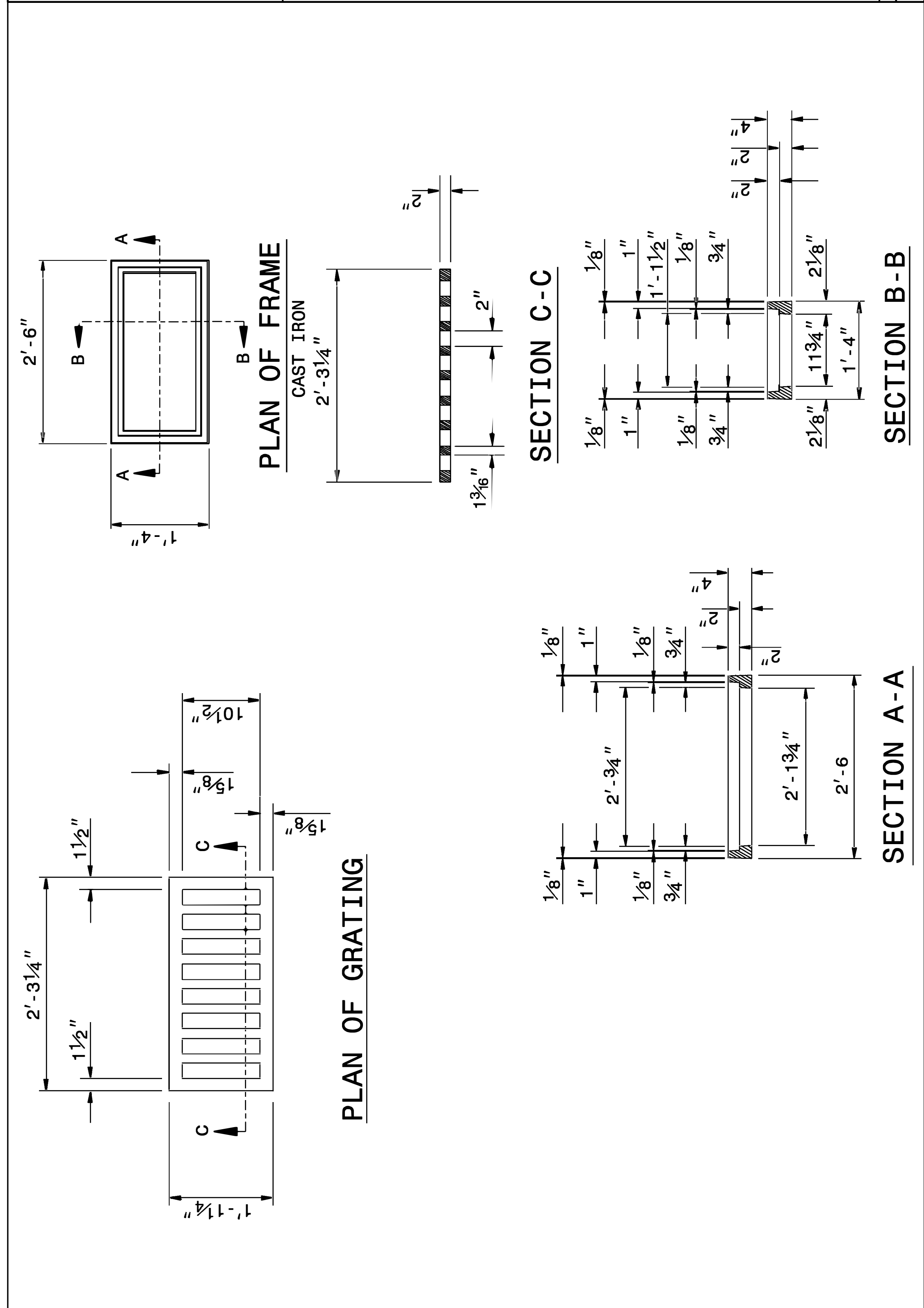


STATE OF NORTH CAROLINA  
DEPT. OF TRANSPORTATION  
DIVISION OF HIGHWAYS  
RALEIGH, N.C.

ENGLISH DETAIL DRAWING FOR  
**NARROW DROP INLET FRAME AND GRATE**  
FOR USE WITH DETAIL 840D11 & 840D12

SHEET 1 OF 1  
**840D13**



STATE OF NORTH CAROLINA  
DEPT. OF TRANSPORTATION  
DIVISION OF HIGHWAYS  
RALEIGH, N.C.

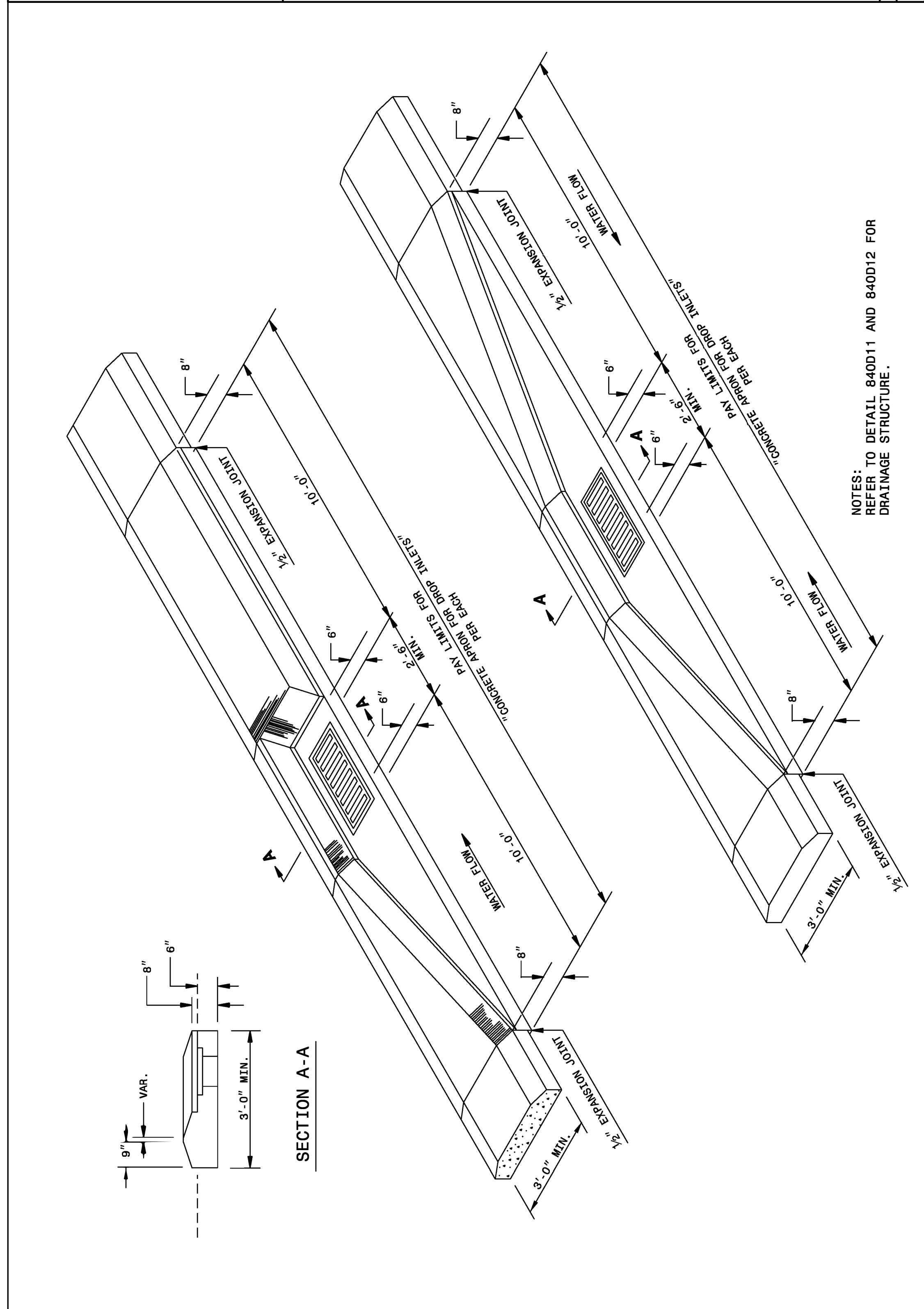
ENGLISH DETAIL DRAWING FOR  
**NARROW DROP INLET FRAME AND GRATE**  
FOR USE WITH DETAIL 840D11 & 840D12

SHEET 1 OF 1  
**840D13**

STATE OF NORTH CAROLINA  
DEPT. OF TRANSPORTATION  
DIVISION OF HIGHWAYS  
RALEIGH, N.C.

ENGLISH DETAIL DRAWING FOR  
**METHOD FOR PLACEMENT OF  
DROP INLETS IN ISLANDS**

SHEET 1 OF 1  
**852D03**



STATE OF NORTH CAROLINA  
DEPT. OF TRANSPORTATION  
DIVISION OF HIGHWAYS  
RALEIGH, N.C.

ENGLISH DETAIL DRAWING FOR  
**METHOD FOR PLACEMENT OF  
DROP INLETS IN ISLANDS**

SHEET 1 OF 1  
**852D03**

NOTES:  
REFER TO DETAIL 840D11 AND 840D12 FOR  
DRAINAGE STRUCTURE.



DOCUMENT NOT CONSIDERED FINAL  
UNLESS ALL SIGNATURES COMPLETED

**CONTRACT STANDARDS  
AND DEVELOPMENT UNIT**  
Office 919-707-6950 FAX 919-250-4119

**SEE PLATE FOR TITLE**

ORIGINAL BY: 1998 STDS DATE: \_\_\_\_\_  
 MODIFIED BY: E.E. WARD DATE: 3-21-02  
 CHECKED BY: \_\_\_\_\_ DATE: \_\_\_\_\_  
 FILE SPEC.: /usr/details/stand/840stds/840d11.dgn