



STATE OF NORTH CAROLINA
DEPARTMENT OF TRANSPORTATION

ROY COOPER
GOVERNOR

JAMES H. TROGDON, III
SECRETARY

March 9, 2018

Addendum No. 1

RE: Contract # C203981

WBS # 44401.3.1

STATE FUNDED

Wake County (U-5828)

McCrimmon Parkway From SR-3015 (Airport Boulevard) To
SR-1002 (Aviation Parkway) In Morresville

March 20, 2018 Letting

To Whom It May Concern:

Reference is made to the plans and proposal form furnished to you on this project.

The following revisions have been made to the plans:

Sheet No.	Revisions
2A-1 thru 2A-5	Revised to remove Prime Coat from the typicals and pavement schedule

Please void sheet No. 2A-1 thru 2A-5 in your plans and staple the revised sheet thereto.

The following revisions have been made to the proposal:

Page No.	Revisions
Proposal Cover	Note added that reads "Includes Addendum No. 1 Dated 03-09-2018".

Please void the Proposal Cover in your proposal and staple the revised page thereto.

Mailing Address:
NC DEPARTMENT OF TRANSPORTATION
CONTRACT STANDARDS AND DEVELOPMENT
1591 MAIL SERVICE CENTER
RALEIGH, NC 27699-1591

Telephone: (919) 707-6900
Fax: (919) 250-4127
Customer Service: 1-877-368-4968

Location:
1020 BIRCH RIDGE DR.
RALEIGH, NC 27610

Website: www.ncdot.gov

On the item sheets the following pay item quantities have been revised and a pay item has been deleted:

<u>Item</u>	<u>Description</u>	<u>Old Quantity</u>	<u>New Quantity</u>
037-1275000000-E-600	Prime Coat	23,250 GAL	DELETED
142-6012000000-E-1610	Sediment Control Stone	25,110 TON	3,805 TON
148-6030000000-N-1630	Silt Excavation	131,770 CY	9,900 CY

The Contractor's bid must be based on the revised pay item quantities and must not include the deleted pay item.

The Expedite File has been updated to reflect these revisions. Please download the Expedite Addendum File and follow the instructions for applying the addendum. Bid Express will not accept your bid unless the addendum has been applied.

The contract will be prepared accordingly.

Sincerely,

DocuSigned by:

Ronald E. Davenport, Jr.

F81B6038A47A442...

Ronald E. Davenport, Jr., PE
State Contract Officer

RED/jag
Attachments

cc: Mr. Lamar Sylvester, PE	Mr. Ray Arnold, PE
Mr. Joey Hopkins, PE	Ms. Theresa Canales, PE
Mr. Ron Hancock, PE	Mr. Mike Gwyn
Mr. Jon Weathersby, PE	Ms. Jaci Kincaid
Mr. Ken Kennedy, PE	Ms. Penny Higgins
Ms. Lori Strickland	Mr. Mitchell Dixon
Project File (2)	

STATE OF NORTH CAROLINA
DEPARTMENT OF TRANSPORTATION
RALEIGH, N.C.

PROPOSAL

INCLUDES ADDENDUM No. 1 DATED 03-09-2018

DATE AND TIME OF BID OPENING: **MARCH 20, 2018 AT 2:00 PM**

CONTRACT ID C203981
WBS 44401.3.1

2012 SPECIFICATIONS

FEDERAL-AID NO. STATE FUNDED

COUNTY WAKE

T.I.P. NO. U-5828

MILES 1.649

ROUTE NO.

LOCATION MCCRIMMON PARKWAY FROM SR-3015 (AIRPORT BOULEVARD) TO
SR-1002 (AVIATION PARKWAY) IN MORRISVILLE.

TYPE OF WORK GRADING, DRAINAGE, PAVING, AND SIGNALS.

NOTICE:

ALL BIDDERS SHALL COMPLY WITH ALL APPLICABLE LAWS REGULATING THE PRACTICE OF GENERAL CONTRACTING AS CONTAINED IN CHAPTER 87 OF THE GENERAL STATUTES OF NORTH CAROLINA WHICH REQUIRES THE BIDDER TO BE LICENSED BY THE N.C. LICENSING BOARD FOR CONTRACTORS WHEN BIDDING ON ANY NON-FEDERAL AID PROJECT WHERE THE BID IS \$30,000 OR MORE, EXCEPT FOR CERTAIN SPECIALTY WORK AS DETERMINED BY THE LICENSING BOARD. BIDDERS SHALL ALSO COMPLY WITH ALL OTHER APPLICABLE LAWS REGULATING THE PRACTICES OF ELECTRICAL, PLUMBING, HEATING AND AIR CONDITIONING AND REFRIGERATION CONTRACTING AS CONTAINED IN CHAPTER 87 OF THE GENERAL STATUTES OF NORTH CAROLINA. NOTWITHSTANDING THESE LIMITATIONS ON BIDDING, THE BIDDER WHO IS AWARDED ANY FEDERAL - AID FUNDED PROJECT SHALL COMPLY WITH CHAPTER 87 OF THE GENERAL STATUTES OF NORTH CAROLINA FOR LICENSING REQUIREMENTS WITHIN 60 CALENDAR DAYS OF BID OPENING.

BIDS WILL BE RECEIVED AS SHOWN BELOW:

THIS IS A ROADWAY PROPOSAL

5% BID BOND OR BID DEPOSIT REQUIRED

County: Wake

Line #	Item Number	Sec #	Description	Quantity	Unit Cost	Amount
ROADWAY ITEMS						
0001	0000100000-N	800	MOBILIZATION	Lump Sum	L.S.	
0002	0000400000-N	801	CONSTRUCTION SURVEYING	Lump Sum	L.S.	
0003	0001000000-E	200	CLEARING & GRUBBING .. ACRE(S)	Lump Sum	L.S.	
0004	0008000000-E	200	SUPPLEMENTARY CLEARING & GRUB- BING	3 ACR		
0005	0022000000-E	225	UNCLASSIFIED EXCAVATION	171,940 CY		
0006	0036000000-E	225	UNDERCUT EXCAVATION	8,480 CY		
0007	0134000000-E	240	DRAINAGE DITCH EXCAVATION	20 CY		
0008	0141000000-E	240	BERM DITCH CONSTRUCTION	2,050 LF		
0009	0156000000-E	250	REMOVAL OF EXISTING ASPHALT PAVEMENT	870 SY		
0010	0192000000-N	260	PROOF ROLLING	16 HR		
0011	0195000000-E	265	SELECT GRANULAR MATERIAL	10,690 CY		
0012	0196000000-E	270	GEOTEXTILE FOR SOIL STABILIZA- TION	25,680 SY		
0013	0318000000-E	300	FOUNDATION CONDITIONING MATE- RIAL, MINOR STRUCTURES	1,090 TON		
0014	0320000000-E	300	FOUNDATION CONDITIONING GEO- TEXTILE	3,420 SY		
0015	0335200000-E	305	15" DRAINAGE PIPE	100 LF		
0016	0335300000-E	305	18" DRAINAGE PIPE	156 LF		
0017	0335400000-E	305	24" DRAINAGE PIPE	100 LF		
0018	0335500000-E	305	30" DRAINAGE PIPE	220 LF		
0019	0335600000-E	305	36" DRAINAGE PIPE	232 LF		

County: Wake

Line #	Item Number	Sec #	Description	Quantity	Unit Cost	Amount
0020	0335700000-E	305	42" DRAINAGE PIPE	76 LF		
0021	0335850000-E	305	*** DRAINAGE PIPE ELBOWS (15")	4 EA		
0022	0335850000-E	305	*** DRAINAGE PIPE ELBOWS (18")	4 EA		
0023	0366000000-E	310	15" RC PIPE CULVERTS, CLASS III	28 LF		
0024	0372000000-E	310	18" RC PIPE CULVERTS, CLASS III	292 LF		
0025	0378000000-E	310	24" RC PIPE CULVERTS, CLASS III	200 LF		
0026	0384000000-E	310	30" RC PIPE CULVERTS, CLASS III	1,616 LF		
0027	0390000000-E	310	36" RC PIPE CULVERTS, CLASS III	976 LF		
0028	0448200000-E	310	15" RC PIPE CULVERTS, CLASS IV	4,152 LF		
0029	0448300000-E	310	18" RC PIPE CULVERTS, CLASS IV	2,760 LF		
0030	0448400000-E	310	24" RC PIPE CULVERTS, CLASS IV	784 LF		
0031	0448500000-E	310	30" RC PIPE CULVERTS, CLASS IV	48 LF		
0032	0995000000-E	340	PIPE REMOVAL	560 LF		
0033	1011000000-N	500	FINE GRADING	Lump Sum	L.S.	
0034	1121000000-E	520	AGGREGATE BASE COURSE	36,900 TON		
0035	1220000000-E	545	INCIDENTAL STONE BASE	250 TON		
0036	1231000000-E	560	SHOULDER BORROW	290 CY		
0038	1297000000-E	607	MILLING ASPHALT PAVEMENT, **** DEPTH (1-1/2")	810 SY		

County : Wake

Line #	Item Number	Sec #	Description	Quantity	Unit Cost	Amount
0039	1330000000-E	607	INCIDENTAL MILLING	1,680 SY		
0040	1491000000-E	610	ASPHALT CONC BASE COURSE, TYPE B25.0C	1,790 TON		
0041	1503000000-E	610	ASPHALT CONC INTERMEDIATE COURSE, TYPE I19.0C	13,510 TON		
0042	1523000000-E	610	ASPHALT CONC SURFACE COURSE, TYPE S9.5C	11,470 TON		
0043	1575000000-E	620	ASPHALT BINDER FOR PLANT MIX	1,405 TON		
0044	1693000000-E	654	ASPHALT PLANT MIX, PAVEMENT REPAIR	2,390 TON		
0045	2022000000-E	815	SUBDRAIN EXCAVATION	34 CY		
0046	2033000000-E	815	SUBDRAIN FINE AGGREGATE	17 CY		
0047	2044000000-E	815	6" PERFORATED SUBDRAIN PIPE	100 LF		
0048	2070000000-N	815	SUBDRAIN PIPE OUTLET	1 EA		
0049	2077000000-E	815	6" OUTLET PIPE	6 LF		
0050	2209000000-E	838	ENDWALLS	3.4 CY		
0051	2253000000-E	840	PIPE COLLARS	1 CY		
0052	2286000000-N	840	MASONRY DRAINAGE STRUCTURES	121 EA		
0053	2308000000-E	840	MASONRY DRAINAGE STRUCTURES	145.3 LF		
0054	2364000000-N	840	FRAME WITH TWO GRATES, STD 840.16	12 EA		
0055	2366000000-N	840	FRAME WITH TWO GRATES, STD 840.24	1 EA		
0056	2374000000-N	840	FRAME WITH GRATE & HOOD, STD 840.03, TYPE ** (E)	6 EA		

County: Wake

Line #	Item Number	Sec #	Description	Quantity	Unit Cost	Amount
0057	2374000000-N	840	FRAME WITH GRATE & HOOD, STD 840.03, TYPE ** (F)	37 EA		
0058	2374000000-N	840	FRAME WITH GRATE & HOOD, STD 840.03, TYPE ** (G)	64 EA		
0059	2396000000-N	840	FRAME WITH COVER, STD 840.54	2 EA		
0060	2440000000-N	852	CONCRETE TRANSITIONAL SECTION FOR CATCH BASIN	30 EA		
0061	2451000000-N	852	CONCRETE TRANSITIONAL SECTION FOR DROP INLET	10 EA		
0062	2542000000-E	846	1'-6" CONCRETE CURB & GUTTER	14,900 LF		
0063	2549000000-E	846	2'-6" CONCRETE CURB & GUTTER	18,300 LF		
0064	2591000000-E	848	4" CONCRETE SIDEWALK	15,500 SY		
0065	2605000000-N	848	CONCRETE CURB RAMP	27 EA		
0066	2612000000-E	848	6" CONCRETE DRIVEWAY	160 SY		
0067	2619000000-E	850	4" CONCRETE PAVED DITCH	22 SY		
0068	2655000000-E	852	5" MONOLITHIC CONCRETE ISLANDS (KEYED IN)	1,090 SY		
0069	2830000000-N	858	ADJUSTMENT OF MANHOLES	8 EA		
0070	2845000000-N	858	ADJUSTMENT OF METER BOXES OR VALVE BOXES	17 EA		
0071	2893000000-N	859	CONVERT EXISTING CATCH BASIN TO JUNCTION BOX WITH MANHOLE	1 EA		
0072	3030000000-E	862	STEEL BM GUARDRAIL	75 LF		
0073	3150000000-N	862	ADDITIONAL GUARDRAIL POSTS	1 EA		
0074	3287000000-N	SP	GUARDRAIL END UNITS, TYPE TL-3	1 EA		

County : Wake

Line #	Item Number	Sec #	Description	Quantity	Unit Cost	Amount
0075	3360000000-E	863	REMOVE EXISTING GUARDRAIL	102 LF		
0076	3628000000-E	876	RIP RAP, CLASS I	210 TON		
0077	3649000000-E	876	RIP RAP, CLASS B	330 TON		
0078	3656000000-E	876	GEOTEXTILE FOR DRAINAGE	4,360 SY		
0079	3659000000-N	SP	PREFORMED SCOUR HOLES WITH LEVEL SPREADER APRON	2 EA		
0080	4025000000-E	901	CONTRACTOR FURNISHED, TYPE *** SIGN (E)	375 SF		
0081	4025000000-E	901	CONTRACTOR FURNISHED, TYPE *** SIGN (F)	25 SF		
0082	4072000000-E	903	SUPPORTS, 3-LB STEEL U-CHANNEL	1,125 LF		
0083	4102000000-N	904	SIGN ERECTION, TYPE E	76 EA		
0084	4108000000-N	904	SIGN ERECTION, TYPE F	3 EA		
0085	4116100000-N	904	SIGN ERECTION, RELOCATE, TYPE **** (GROUND MOUNTED) (E)	9 EA		
0086	4155000000-N	907	DISPOSAL OF SIGN SYSTEM, U- CHANNEL	7 EA		
0087	4192000000-N	907	DISPOSAL OF SUPPORT, U-CHANNEL	9 EA		
0088	4400000000-E	1110	WORK ZONE SIGNS (STATIONARY)	182 SF		
0089	4405000000-E	1110	WORK ZONE SIGNS (PORTABLE)	102 SF		
0090	4410000000-E	1110	WORK ZONE SIGNS (BARRICADE MOUNTED)	204 SF		
0091	4420000000-N	1120	PORTABLE CHANGEABLE MESSAGE SIGN	5 EA		
0092	4430000000-N	1130	DRUMS	365 EA		

County: Wake

Line #	Item Number	Sec #	Description	Quantity	Unit Cost	Amount
0093	4435000000-N	1135	CONES	15 EA		
0094	4445000000-E	1145	BARRICADES (TYPE III)	376 LF		
0095	4450000000-N	1150	FLAGGER	40 HR		
0096	4510000000-N	SP	LAW ENFORCEMENT	40 HR		
0097	4650000000-N	1251	TEMPORARY RAISED PAVEMENT MARKERS	39 EA		
0098	4685000000-E	1205	THERMOPLASTIC PAVEMENT MARKING LINES (4", 90 MILS)	4,875 LF		
0099	4686000000-E	1205	THERMOPLASTIC PAVEMENT MARKING LINES (4", 120 MILS)	24,050 LF		
0100	4695000000-E	1205	THERMOPLASTIC PAVEMENT MARKING LINES (8", 90 MILS)	2,675 LF		
0101	4697000000-E	1205	THERMOPLASTIC PAVEMENT MARKING LINES (8", 120 MILS)	1,700 LF		
0102	4700000000-E	1205	THERMOPLASTIC PAVEMENT MARKING LINES (12", 90 MILS)	1,010 LF		
0103	4710000000-E	1205	THERMOPLASTIC PAVEMENT MARKING LINES (24", 120 MILS)	500 LF		
0104	4721000000-E	1205	THERMOPLASTIC PAVEMENT MARKING CHARACTER (120 MILS)	1 EA		
0105	4725000000-E	1205	THERMOPLASTIC PAVEMENT MARKING SYMBOL (90 MILS)	150 EA		
0106	4810000000-E	1205	PAINT PAVEMENT MARKING LINES (4")	7,885 LF		
0107	4835000000-E	1205	PAINT PAVEMENT MARKING LINES (24")	70 LF		
0108	4840000000-N	1205	PAINT PAVEMENT MARKING CHARACTER	8 EA		
0109	4845000000-N	1205	PAINT PAVEMENT MARKING SYMBOL	20 EA		

County: Wake

Line #	Item Number	Sec #	Description	Quantity	Unit Cost	Amount
0110	4850000000-E	1205	REMOVAL OF PAVEMENT MARKING LINES (4")	410	LF	
0111	4860000000-E	1205	REMOVAL OF PAVEMENT MARKING LINES (8")	90	LF	
0112	4875000000-N	1205	REMOVAL OF PAVEMENT MARKING SYMBOLS & CHARACTERS	7	EA	
0113	4900000000-N	1251	PERMANENT RAISED PAVEMENT MARKERS	105	EA	
0114	5326600000-E	1510	16" WATER LINE	80	LF	
0115	5648000000-N	1515	RELOCATE WATER METER	3	EA	
0116	5672000000-N	1515	RELOCATE FIRE HYDRANT	5	EA	
0117	5810000000-E	1530	ABANDON 16" UTILITY PIPE	65	LF	
0118	5882000000-N	SP	GENERIC UTILITY ITEM 12" GATE VALVE ASSEMBLY	19	EA	
0119	5882000000-N	SP	GENERIC UTILITY ITEM 12" x 16" TAPPING SLEEVE AND VALVE ASSEMBLY	1	EA	
0120	5882000000-N	SP	GENERIC UTILITY ITEM 6" GATE VALVE ASSEMBLY	3	EA	
0121	5882000000-N	SP	GENERIC UTILITY ITEM 8" GATE VALVE ASSEMBLY	7	EA	
0122	5882000000-N	SP	GENERIC UTILITY ITEM BLOW OFF ASSEMBLY	11	EA	
0123	5882000000-N	SP	GENERIC UTILITY ITEM CONNECTION TO EXISTING WATER-LINE	3	EA	
0124	5882000000-N	SP	GENERIC UTILITY ITEM CUT AND CAP EXISTING WATER LINE	1	EA	
0125	5882000000-N	SP	GENERIC UTILITY ITEM FIRE HYDRANT ASSEMBLY	9	EA	

County : Wake

Line #	Item Number	Sec #	Description	Quantity	Unit Cost	Amount
0126	5882000000-N	SP	GENERIC UTILITY ITEM REUSE TEMPORARY INTERCONNECT	1 EA		
0127	5888000000-E	SP	GENERIC UTILITY ITEM 12" DIA C900 RJ PVC REUSE WATER MAIN	7,488 LF		
0128	5888000000-E	SP	GENERIC UTILITY ITEM 12" DIA DUCTILE IRON, CLASS 350 WATER MAIN	8,218 LF		
0129	5888000000-E	SP	GENERIC UTILITY ITEM 12" RESTRAINED JOINT ADDER FOR DI WATER MAIN	1,401 LF		
0130	5888000000-E	SP	GENERIC UTILITY ITEM 16" DIA STEEL CASING	135 LF		
0131	5888000000-E	SP	GENERIC UTILITY ITEM 6" DIA C900 RJ PVC REUSE WATER MAIN	103 LF		
0132	5888000000-E	SP	GENERIC UTILITY ITEM 6" DIA DUCTILE IRON, CLASS 350 WATER MAIN	44 LF		
0133	5888000000-E	SP	GENERIC UTILITY ITEM 6" RESTRAINED JOINT ADDER FOR DI WATER MAIN	44 LF		
0134	5888000000-E	SP	GENERIC UTILITY ITEM 8" DIA C900 RJ PVC REUSE WATER MAIN	637 LF		
0135	5888000000-E	SP	GENERIC UTILITY ITEM 8" DIA DUCTILE IRON, CLASS 350 WATER MAIN	155 LF		
0136	5888000000-E	SP	GENERIC UTILITY ITEM 8" RESTRAINED JOINT ADDER FOR DI WATER MAIN	155 LF		
0137	5906000000-E	SP	GENERIC UTILITY ITEM DUCTILE IRON FITTINGS	14,880 LB		
0138	5912000000-N	SP	GENERIC UTILITY ITEM REMOVE METER VAULT	Lump Sum	L.S.	
0139	6000000000-E	1605	TEMPORARY SILT FENCE	53,520 LF		

County : Wake

Line #	Item Number	Sec #	Description	Quantity	Unit Cost	Amount
0140	6006000000-E	1610	STONE FOR EROSION CONTROL, CLASS A	150 TON		
0141	6009000000-E	1610	STONE FOR EROSION CONTROL, CLASS B	2,720 TON		
0142	6012000000-E	1610	SEDIMENT CONTROL STONE	3,805 TON		
0143	6015000000-E	1615	TEMPORARY MULCHING	42.5 ACR		
0144	6018000000-E	1620	SEED FOR TEMPORARY SEEDING	2,100 LB		
0145	6021000000-E	1620	FERTILIZER FOR TEMPORARY SEED- ING	11 TON		
0146	6024000000-E	1622	TEMPORARY SLOPE DRAINS	200 LF		
0147	6029000000-E	SP	SAFETY FENCE	400 LF		
0148	6030000000-E	1630	SILT EXCAVATION	9,900 CY		
0149	6036000000-E	1631	MATTING FOR EROSION CONTROL	29,370 SY		
0150	6037000000-E	SP	COIR FIBER MAT	230 SY		
0151	6038000000-E	SP	PERMANENT SOIL REINFORCEMENT MAT	2,125 SY		
0152	6042000000-E	1632	1/4" HARDWARE CLOTH	7,700 LF		
0153	6045000000-E	SP	*** TEMPORARY PIPE (18")	765 LF		
0154	6045000000-E	SP	*** TEMPORARY PIPE (24")	945 LF		
0155	6046000000-E	1636	TEMPORARY PIPE FOR STREAM CROSSING	350 LF		
0156	6070000000-N	1639	SPECIAL STILLING BASINS	18 EA		
0157	6071020000-E	SP	POLYACRYLAMIDE (PAM)	30 LB		
0158	6071030000-E	1640	COIR FIBER BAFFLE	2,010 LF		

County: Wake

Line #	Item Number	Sec #	Description	Quantity	Unit Cost	Amount
0159	6071050000-E	SP	*** SKIMMER (1-1/2")	9 EA		
0160	6071050000-E	SP	*** SKIMMER (2")	5 EA		
0161	6071050000-E	SP	*** SKIMMER (3")	3 EA		
0162	6071050000-E	SP	*** SKIMMER (4")	2 EA		
0163	6084000000-E	1660	SEEDING & MULCHING	30 ACR		
0164	6087000000-E	1660	MOWING	27 ACR		
0165	6090000000-E	1661	SEED FOR REPAIR SEEDING	450 LB		
0166	6093000000-E	1661	FERTILIZER FOR REPAIR SEEDING	1.25 TON		
0167	6096000000-E	1662	SEED FOR SUPPLEMENTAL SEEDING	700 LB		
0168	6108000000-E	1665	FERTILIZER TOPDRESSING	21 TON		
0169	6111000000-E	SP	IMPERVIOUS DIKE	30 LF		
0170	6114500000-N	1667	SPECIALIZED HAND MOWING	10 MHR		
0171	6117000000-N	SP	RESPONSE FOR EROSION CONTROL	100 EA		
0172	6132000000-N	SP	GENERIC EROSION CONTROL ITEM CONCRETE WASHOUT STRUCTURE	3 EA		
0173	6132000000-N	SP	GENERIC EROSION CONTROL ITEM FILTER SACK INLET PROTECTION	20 EA		
0174	6132000000-N	SP	GENERIC EROSION CONTROL ITEM FILTER SACK INLET PROTECTION CLEANOUT	50 EA		
0175	6132000000-N	SP	GENERIC EROSION CONTROL ITEM SEDIMENT TUBE	20 EA		
0176	6640000000-N	1670	GENERIC PLANTING ITEM HEMEROCALLIS X 'AZTEC GOLD' (#1 CONT.)	472 EA		

County : Wake

Line #	Item Number	Sec #	Description	Quantity	Unit Cost	Amount
0177	6640000000-N	1670	GENERIC PLANTING ITEM ILEX CORNUTA 'CARISSA' (#5 CONT 24")	92 EA		
0178	6640000000-N	1670	GENERIC PLANTING ITEM ILEX GLABRA 'COMPACTA' (#3 CONT 18")	357 EA		
0179	6640000000-N	1670	GENERIC PLANTING ITEM ILEX VOMITORIA 'SCHILLINGS DWARF' (#3 CONT 18")	357 EA		
0180	6640000000-N	1670	GENERIC PLANTING ITEM LIRIOPE MUSCARI 'EVERGREEN GIANT' (#1 CONT)	2,755 EA		
0181	6640000000-N	1670	GENERIC PLANTING ITEM MUHLENBERGIA CAPILLARIS (#1 CONT 24")	760 EA		
0182	6640000000-N	1670	GENERIC PLANTING ITEM PANICUM VIRGATUM 'SHENENDOAH' (#1 CONT 24")	457 EA		
0183	6640000000-N	1670	GENERIC PLANTING ITEM PENNISETUM ALOPECUROIDES 'HAMELN' (#1 CONT 18")	167 EA		
0184	6640000000-N	1670	GENERIC PLANTING ITEM PRUNUS X OKAME (B & B 2.5" CAL 8-10')	125 EA		
0185	6650000000-E	1670	MULCH FOR PLANTING	368 CY		
0186	6675000000-E	SP	GENERIC PLANTING ITEM CYNODON DACTYLON 'TIFGRAND'	7,657 SY		
0187	6900000000-E	SP	TOPSOIL	2,132 CY		
0188	7048500000-E	1705	PEDESTRIAN SIGNAL HEAD (16", 1 SECTION W/COUNTDOWN)	16 EA		
0189	7060000000-E	1705	SIGNAL CABLE	6,050 LF		
0190	7120000000-E	1705	VEHICLE SIGNAL HEAD (12", 3 SECTION)	22 EA		
0191	7132000000-E	1705	VEHICLE SIGNAL HEAD (12", 4 SECTION)	9 EA		

County : Wake

Line #	Item Number	Sec #	Description	Quantity	Unit Cost	Amount
0192	7144000000-E	1705	VEHICLE SIGNAL HEAD (12", 5 SECTION)	5 EA		
0193	7264000000-E	1710	MESSENGER CABLE (3/8")	1,620 LF		
0194	7279000000-E	1715	TRACER WIRE	625 LF		
0195	7300000000-E	1715	UNPAVED TRENCHING (***** (2, 2")	3,105 LF		
0196	7301000000-E	1715	DIRECTIONAL DRILL (***** (2, 2")	340 LF		
0197	7324000000-N	1716	JUNCTION BOX (STANDARD SIZE)	28 EA		
0198	7348000000-N	1716	JUNCTION BOX (OVER-SIZED, HEAVY DUTY)	4 EA		
0199	7360000000-N	1720	WOOD POLE	2 EA		
0200	7372000000-N	1721	GUY ASSEMBLY	2 EA		
0201	7420000000-E	1722	2" RISER WITH WEATHERHEAD	1 EA		
0202	7444000000-E	1725	INDUCTIVE LOOP SAWCUT	4,560 LF		
0203	7456000000-E	1726	LEAD-IN CABLE (***** (14-2)	15,350 LF		
0204	7516000000-E	1730	COMMUNICATIONS CABLE (**FIBER) (36)	760 LF		
0205	7528000000-E	1730	DROP CABLE	2,640 LF		
0206	7540000000-N	1731	SPLICE ENCLOSURE	2 EA		
0207	7541000000-N	1731	MODIFY SPLICE ENCLOSURE	2 EA		
0208	7552000000-N	1731	INTERCONNECT CENTER	2 EA		
0209	7566000000-N	1733	DELINEATOR MARKER	4 EA		
0210	7576000000-N	SP	METAL STRAIN SIGNAL POLE	8 EA		

County : Wake

Line #	Item Number	Sec #	Description	Quantity	Unit Cost	Amount
0211	7613000000-N	SP	SOIL TEST	8 EA		
0212	7614100000-E	SP	DRILLED PIER FOUNDATION	48 CY		
0213	7636000000-N	1745	SIGN FOR SIGNALS	9 EA		
0214	7642100000-N	1743	TYPE I POST WITH FOUNDATION	15 EA		
0215	7642200000-N	1743	TYPE II PEDESTAL WITH FOUNDATION	5 EA		
0216	7684000000-N	1750	SIGNAL CABINET FOUNDATION	2 EA		
0217	7852000000-N	1751	DETECTOR CARD (NEMA TS-2)	18 EA		
0218	7980000000-N	SP	GENERIC SIGNAL ITEM CONTROLLER WITH CABINET (NEMA TS-2, 2070 CONTROLLER, TYPE I CABINET, BASE MTD.)	2 EA		
0219	7980000000-N	SP	GENERIC SIGNAL ITEM ETHERNET EDGE SWITCH	2 EA		
1045/Mar09/Q611659.45/D959752650000/E218			Total Amount Of Bid For Entire Project :			

Kimley»Horn

P.O. BOX 33068
RALEIGH, N.C. 27636-3068

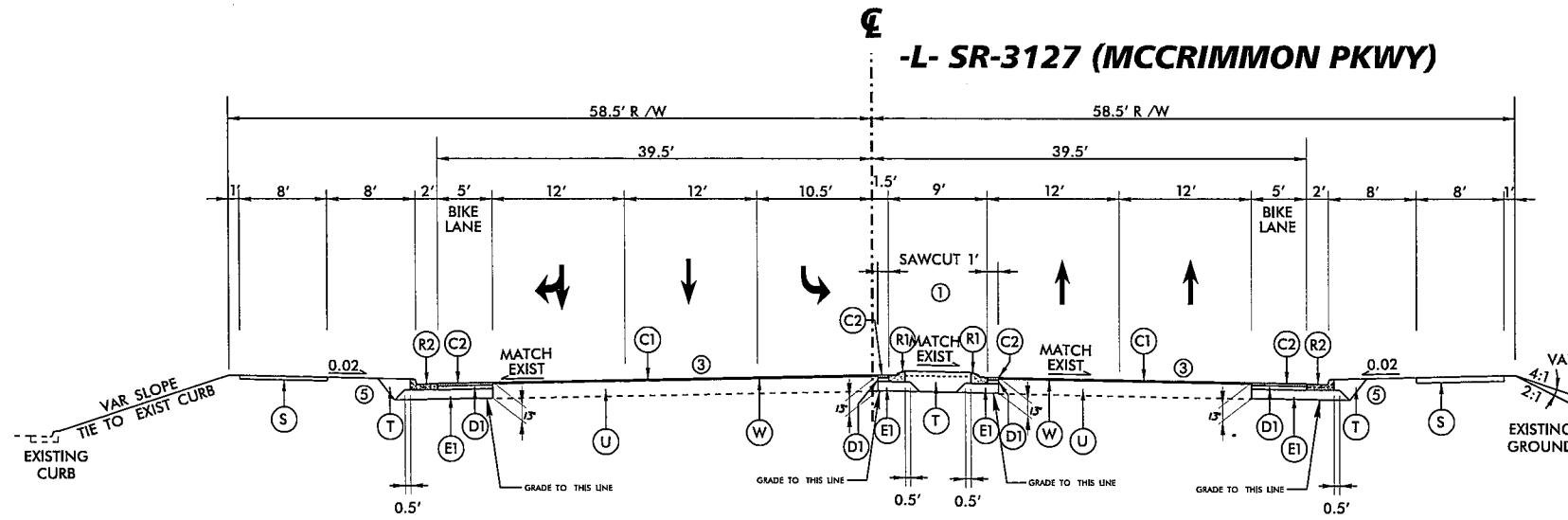
PROJECT REFERENCE NO. U-5828	SHEET NO. 2A-1
ROADWAY DESIGN ENGINEER	PAVEMENT DESIGN ENGINEER

TYPICAL SECTION NOTES:

1. **SEE PLAN SHEETS FOR SPECIFIC MEDIAN ISLAND LOCATIONS AND TYPES**
2. **SEE PARTIAL SECTIONS FOR EXCEPTIONS TO STATION LIMITS**
3. **USE WEDGING AS NECESSARY. SEE DETAIL 1, SHEET 2A-5**
4. **SEE PLAN SHEETS FOR LANE TAPER LOCATIONS**
5. **PAVEMENT EDGE SLOPES ARE 1:1 UNLESS OTHERWISE NOTED**
6. **SEE CROSS SECTIONS AND PROFILES FOR SPECIAL DITCH GRADES**
7. **SEE CROSS SECTIONS FOR CROSS SLOPE CONNECT EXISTING CENTERLINE TO EXISTING CURB**
8. **SIDEWALK LOCATIONS, WIDTH, AND OFFSETS FROM BACK OF CURB WILL VARY. SEE PLANS FOR SPECIFIC LOCATIONS AND DIMENSIONS.**
9. **SEE DETAIL 9, SHEET 2A-6 FOR SAWCUT DETAIL.**

PAVEMENT SCHEDULE

C1	PROP. APPROX. 1.5" ASPHALT CONCRETE SURFACE COURSE, TYPE S9.5C, AT AN AVERAGE RATE OF 168 LBS. PER SQ. YD.
C2	PROP. APPROX. 3" ASPHALT CONCRETE SURFACE COURSE, TYPE S9.5C, AT AN AVERAGE RATE OF 168 LBS. PER SQ. YD. IN EACH OF TWO LAYERS.
C3	PROP. VAR. DEPTH ASPHALT CONCRETE SURFACE COURSE, TYPE S9.5C, AT AN AVERAGE RATE OF 112 LBS. PER SQ. YD. PER 1" DEPTH TO BE PLACED IN LAYERS NOT TO EXCEED 2" IN DEPTH OR LESS THAN 1.5" IN DEPTH.
D1	PROP. APPROX. 4" ASPHALT CONCRETE INTERMEDIATE COURSE, TYPE I19.0C, AT AN AVERAGE RATE OF 456 LBS. PER SQ. YD.
D2	PROP. VAR. DEPTH ASPHALT CONCRETE INTERMEDIATE COURSE, TYPE I19.0C, AT AN AVERAGE RATE OF 114 LBS. PER SQ. YD. PER 1" DEPTH TO BE PLACED IN LAYERS NOT TO EXCEED 4" IN DEPTH OR LESS THAN 2.5" IN DEPTH.
E1	PROP. APPROX. 6" ASPHALT CONCRETE BASE COURSE, TYPE B25.0C, AT AN AVERAGE RATE OF 342 LBS. PER SQ. YD. IN EACH OF TWO LAYERS
E2	PROP. APPROX. 7" ASPHALT CONCRETE BASE COURSE, TYPE B25.0C, AT AN AVERAGE RATE OF 399 LBS. PER SQ. YD. IN EACH OF TWO LAYERS.
E3	PROP. VAR. DEPTH ASPHALT CONCRETE BASE COURSE, TYPE B25.0C, AT AN AVERAGE RATE OF 114 LBS. PER SQ. YD. PER 1" DEPTH TO BE PLACED IN LAYERS NOT TO EXCEED 5.5" IN DEPTH OR LESS THAN 3" IN DEPTH.
J1	PROP. 6" AGGREGATE BASE COURSE.
J2	PROP. 10" AGGREGATE BASE COURSE.
R1	1'-6" CONCRETE CURB AND GUTTER.
R2	2'-6" CONCRETE CURB AND GUTTER.
R3	5' MONOLITHIC CONCRETE ISLAND (KEYED IN)
S	PROPOSED 4" CONCRETE SIDEWALK
T	EARTH MATERIAL.
U	EXISTING PAVEMENT.
V	MILLING ASPHALT PAVEMENT 1.5" DEPTH
W	VARIABLE DEPTH ASPHALT PAVEMENT (SEE STANDARD WEDGING DETAIL 1, SHEET 2A-5)



TYPICAL SECTION NO. 1
-L- Sta. 53+66.58 TO 55+52.00

***GRADE POINT BEGINS AT**
-L- Sta. 54+00.00
SEE CROSS SECTIONS AND PROFILE

K:\PAL_Roadway\02108004 - McCrimmon Parkway\Phase 1\Plan\Plan Sheets\U5828_rdy_hyp.dgn

3/8/2018

Kimley»Horn

P.O. BOX 33068
RALEIGH, N.C. 27636-3068

PROJECT REFERENCE NO. SHEET NO.

U-5828 2A-2

ROADWAY DESIGN ENGINEER PAVEMENT DESIGN ENGINEER

3/8/2018

NORTH CAROLINA PROFESSIONAL SEAL

029876

M. J. HORN, P.E.

ACT 1A100796425

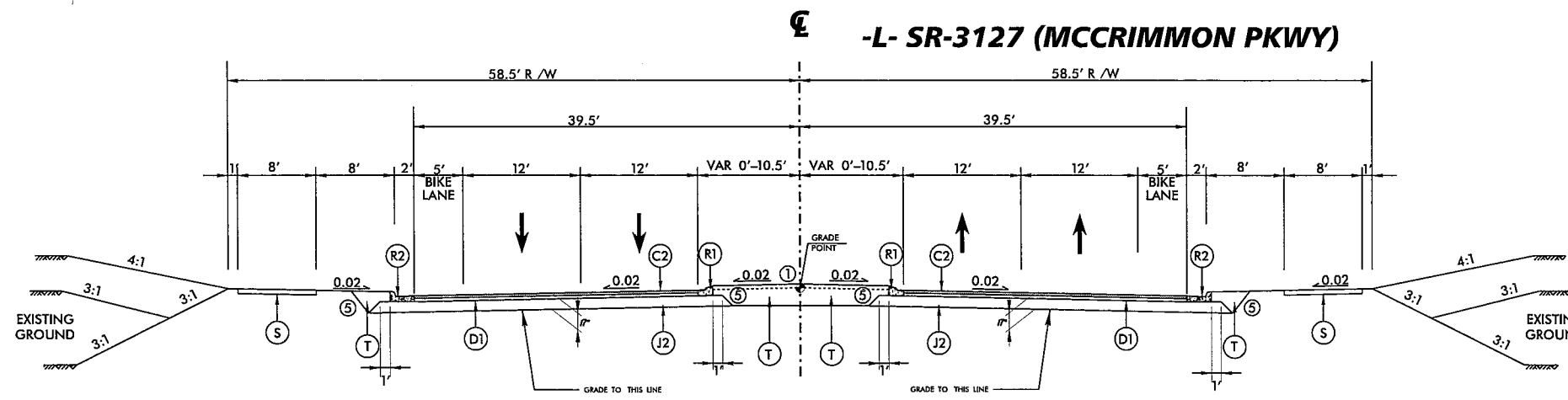
DOCUMENT NOT CONSIDERED FINAL UNLESS ALL SIGNATURES COMPLETED

TYPICAL SECTION NOTES:

1. SEE PLAN SHEETS FOR SPECIFIC MEDIAN ISLAND LOCATIONS AND TYPES
2. SEE PARTIAL SECTIONS FOR EXCEPTIONS TO STATION LIMITS
3. USE WEDGING AS NECESSARY. SEE DETAIL 1, SHEET 2A-5
4. SEE PLAN SHEETS FOR LANE TAPER LOCATIONS
5. PAVEMENT EDGE SLOPES ARE 1:1 UNLESS OTHERWISE NOTED
6. SEE CROSS SECTIONS AND PROFILES FOR SPECIAL DITCH GRADES
7. SEE CROSS SECTIONS FOR CROSS SLOPE CONNECT EXISTING CENTERLINE TO EXISTING CURB
8. SIDEWALK LOCATIONS, WIDTH, AND OFFSETS FROM BACK OF CURB WILL VARY. SEE PLANS FOR SPECIFIC LOCATIONS AND DIMENSIONS.
9. SEE DETAIL 9, SHEET 2A-6 FOR SAWCUT DETAIL.

PAVEMENT SCHEDULE

C1	PROP. APPROX. 1.5" ASPHALT CONCRETE SURFACE COURSE, TYPE S9.5C, AT AN AVERAGE RATE OF 168 LBS. PER SQ. YD.
C2	PROP. APPROX. 3" ASPHALT CONCRETE SURFACE COURSE, TYPE S9.5C, AT AN AVERAGE RATE OF 168 LBS. PER SQ. YD. IN EACH OF TWO LAYERS.
C3	PROP. VAR. DEPTH ASPHALT CONCRETE SURFACE COURSE, TYPE S9.5C, AT AN AVERAGE RATE OF 112 LBS. PER SQ. YD. PER 1" DEPTH TO BE PLACED IN LAYERS NOT TO EXCEED 2" IN DEPTH OR LESS THAN 1.5" IN DEPTH.
D1	PROP. APPROX. 4" ASPHALT CONCRETE INTERMEDIATE COURSE, TYPE I9.0C, AT AN AVERAGE RATE OF 456 LBS. PER SQ. YD.
D2	PROP. VAR. DEPTH ASPHALT CONCRETE INTERMEDIATE COURSE, TYPE I9.0C, AT AN AVERAGE RATE OF 114 LBS. PER SQ. YD. PER 1" DEPTH TO BE PLACED IN LAYERS NOT TO EXCEED 4" IN DEPTH OR LESS THAN 2.5" IN DEPTH.
E1	PROP. APPROX. 6" ASPHALT CONCRETE BASE COURSE, TYPE B25.0C, AT AN AVERAGE RATE OF 342 LBS. PER SQ. YD. IN EACH OF TWO LAYERS
E2	PROP. APPROX. 7" ASPHALT CONCRETE BASE COURSE, TYPE B25.0C, AT AN AVERAGE RATE OF 399 LBS. PER SQ. YD. IN EACH OF TWO LAYERS.
E3	PROP. VAR. DEPTH ASPHALT CONCRETE BASE COURSE, TYPE B25.0C, AT AN AVERAGE RATE OF 114 LBS. PER SQ. YD. PER 1" DEPTH TO BE PLACED IN LAYERS NOT TO EXCEED 5.5" IN DEPTH OR LESS THAN 3" IN DEPTH.
J1	PROP. 6" AGGREGATE BASE COURSE.
J2	PROP. 10" AGGREGATE BASE COURSE.
R1	1'-6" CONCRETE CURB AND GUTTER.
R2	2'-6" CONCRETE CURB AND GUTTER.
R3	5' MONOLITHIC CONCRETE ISLAND (KEYED IN)
S	PROPOSED 4" CONCRETE SIDEWALK
T	EARTH MATERIAL.
U	EXISTING PAVEMENT.
V	MILLING ASPHALT PAVEMENT 1.5" DEPTH
W	VARIABLE DEPTH ASPHALT PAVEMENT (SEE STANDARD WEDGING DETAIL 1, SHEET 2A-5)



TYPICAL SECTION NO. 2
-L- Sta. 55+52.00 TO 129+93.41

K:\RAL_Roadway\012108004 - McCrimmon Parkway\Phase IV\Plan\Plan Sheets\U5828_rdy_jpd.dgn

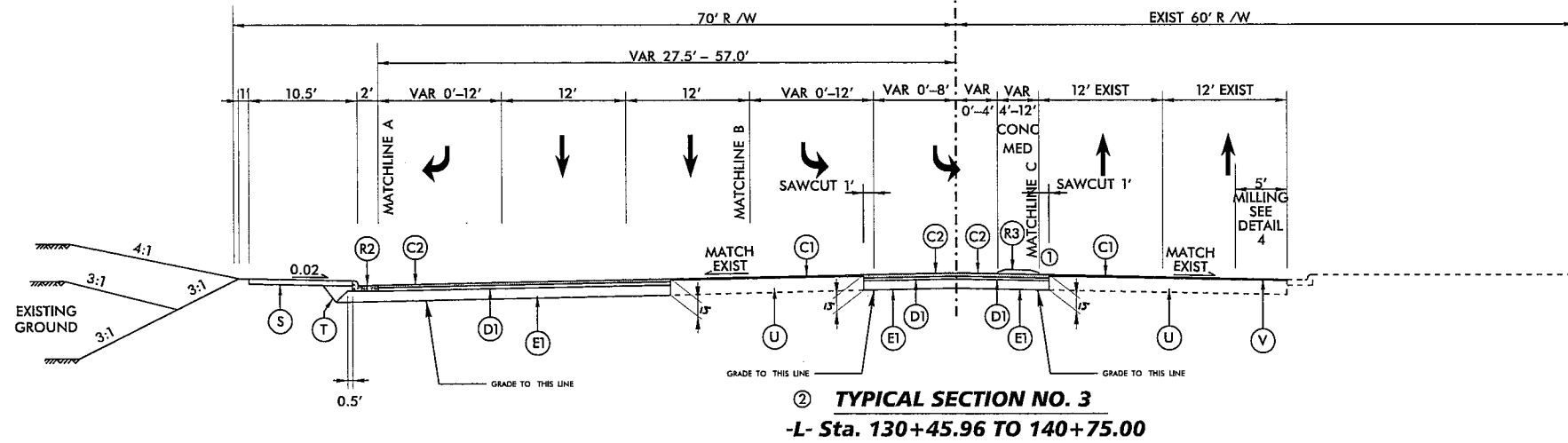
3/8/2018

Kimley»Horn

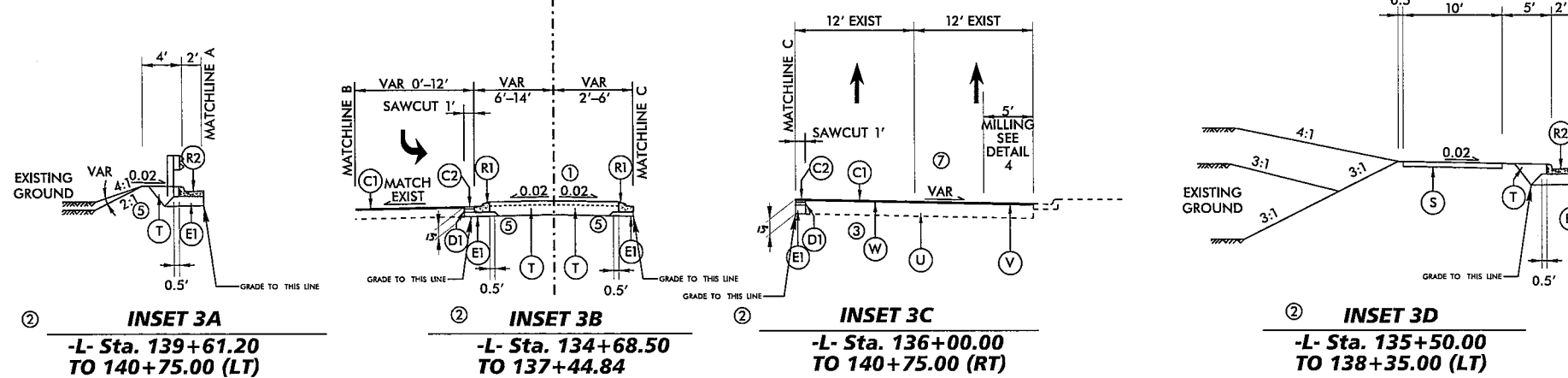
P.O. BOX 33068
RALEIGH, N.C. 27636-3068

PROJECT REFERENCE NO. U-5828	SHEET NO. 2A-3
ROADWAY DESIGN ENGINEER	PAVEMENT DESIGN ENGINEER
DOCUMENT NOT CONSIDERED FINAL UNLESS ALL SIGNATURES COMPLETED	

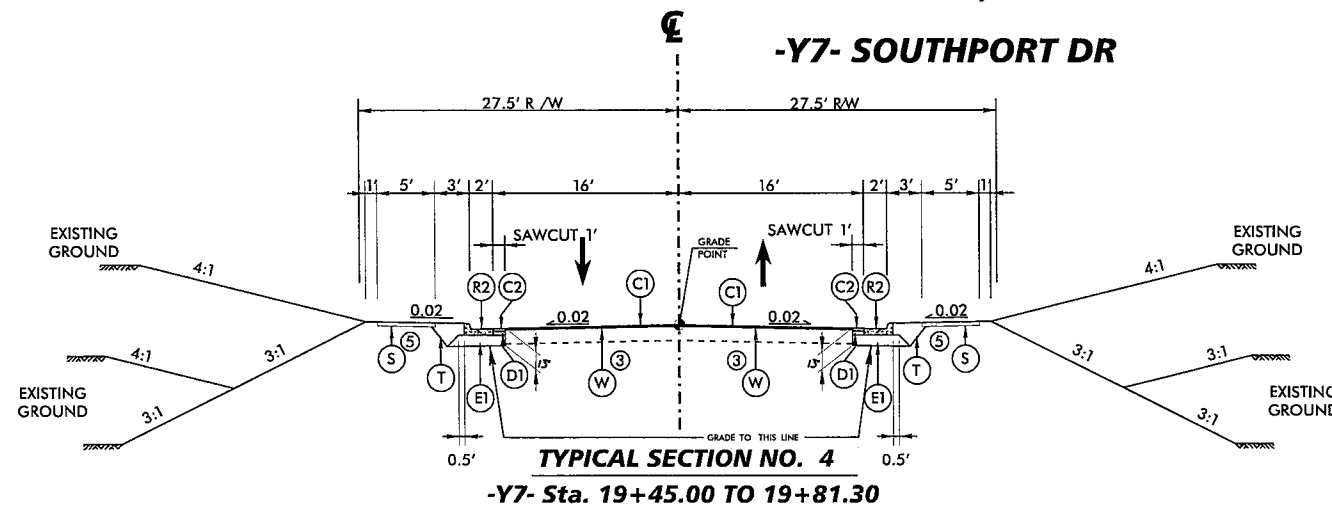
-L- SR-3084 (EVANS RD)



-L- SR-3084 (EVANS RD)



-Y7- SOUTHPORT DR



TYPICAL SECTION NOTES:

1. SEE PLAN SHEETS FOR SPECIFIC MEDIAN ISLAND LOCATIONS AND TYPES
2. SEE PARTIAL SECTIONS FOR EXCEPTIONS TO STATION LIMITS
3. USE WEDGING AS NECESSARY. SEE DETAIL 1, SHEET 2A-5
4. SEE PLAN SHEETS FOR LANE TAPER LOCATIONS
5. PAVEMENT EDGE SLOPES ARE 1:1 UNLESS OTHERWISE NOTED
6. SEE CROSS SECTIONS AND PROFILES FOR SPECIAL DITCH GRADES
7. SEE CROSS SECTIONS FOR CROSS SLOPE CONNECT EXISTING CENTERLINE TO EXISTING CURB
8. SIDEWALK LOCATIONS, WIDTH, AND OFFSETS FROM BACK OF CURB WILL VARY. SEE PLANS FOR SPECIFIC LOCATIONS AND DIMENSIONS.
9. SEE DETAIL 9, SHEET 2A-6 FOR SAWCUT DETAIL.

PAVEMENT SCHEDULE

C1	PROP. APPROX. 1.5" ASPHALT CONCRETE SURFACE COURSE, TYPE S9.5C, AT AN AVERAGE RATE OF 168 LBS. PER SQ. YD.
C2	PROP. APPROX. 3" ASPHALT CONCRETE SURFACE COURSE, TYPE S9.5C, AT AN AVERAGE RATE OF 168 LBS. PER SQ. YD. IN EACH OF TWO LAYERS.
C3	PROP. VAR. DEPTH ASPHALT CONCRETE SURFACE COURSE, TYPE S9.5C, AT AN AVERAGE RATE OF 112 LBS. PER SQ. YD. PER 1" DEPTH TO BE PLACED IN LAYERS NOT TO EXCEED 2" IN DEPTH OR LESS THAN 1.5" IN DEPTH.
D1	PROP. APPROX. 4" ASPHALT CONCRETE INTERMEDIATE COURSE, TYPE I19.0C, AT AN AVERAGE RATE OF 456 LBS. PER SQ. YD.
D2	PROP. VAR. DEPTH ASPHALT CONCRETE INTERMEDIATE COURSE, TYPE I19.0C, AT AN AVERAGE RATE OF 114 LBS. PER SQ. YD. PER 1" DEPTH TO BE PLACED IN LAYERS NOT TO EXCEED 4" IN DEPTH OR LESS THAN 2.5" IN DEPTH.
E1	PROP. APPROX. 6" ASPHALT CONCRETE BASE COURSE, TYPE B25.0C, AT AN AVERAGE RATE OF 342 LBS. PER SQ. YD. IN EACH OF TWO LAYERS.
E2	PROP. APPROX. 7" ASPHALT CONCRETE BASE COURSE, TYPE B25.0C, AT AN AVERAGE RATE OF 399 LBS. PER SQ. YD. IN EACH OF TWO LAYERS.
E3	PROP. VAR. DEPTH ASPHALT CONCRETE BASE COURSE, TYPE B25.0C, AT AN AVERAGE RATE OF 114 LBS. PER SQ. YD. PER 1" DEPTH TO BE PLACED IN LAYERS NOT TO EXCEED 5.5" IN DEPTH OR LESS THAN 3" IN DEPTH.
J1	PROP. 6" AGGREGATE BASE COURSE.
J2	PROP. 10" AGGREGATE BASE COURSE.
R1	1'-6" CONCRETE CURB AND GUTTER.
R2	2'-6" CONCRETE CURB AND GUTTER.
R3	5' MONOLITHIC CONCRETE ISLAND (KEYED IN)
S	PROPOSED 4" CONCRETE SIDEWALK
T	EARTH MATERIAL.
U	EXISTING PAVEMENT.
V	MILLING ASPHALT PAVEMENT 1.5" DEPTH
W	VARIABLE DEPTH ASPHALT PAVEMENT (SEE STANDARD WEDGING DETAIL 1, SHEET 2A-5)

K:\RAL_Roadway\012106004 - McCrimmon Parkway\Phase I\Plan\Plan Sheets\U5828_rdy_jyp.dgn

3/8/2018

Kimley»Horn

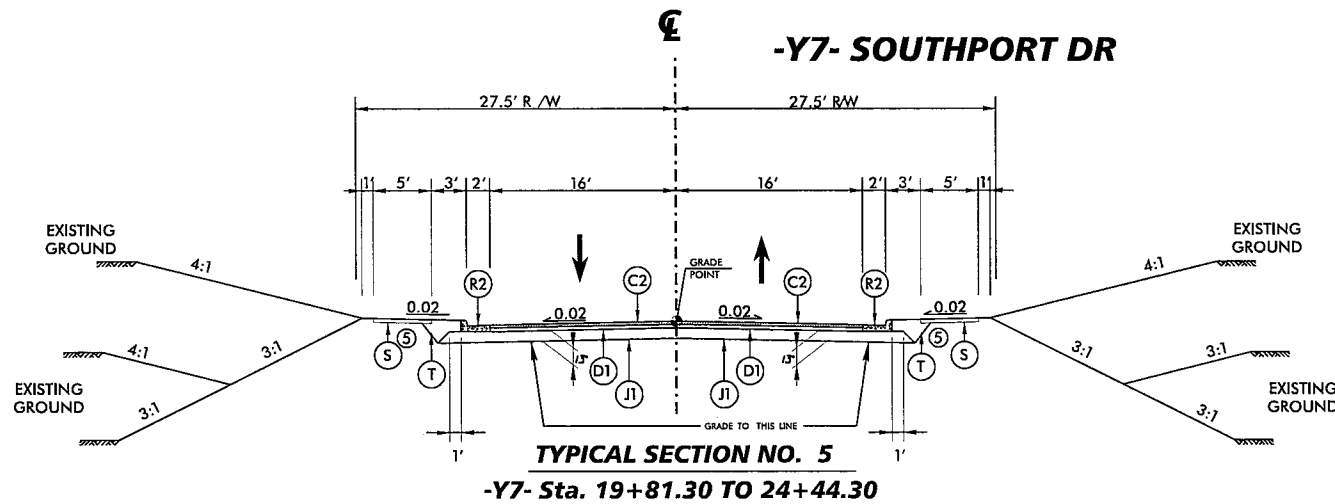
P.O. BOX 33068
RALEIGH, N.C. 27636-3068

PROJECT REFERENCE NO. U-582B	SHEET NO. 2A-4
ROADWAY DESIGN ENGINEER	PAVEMENT DESIGN ENGINEER

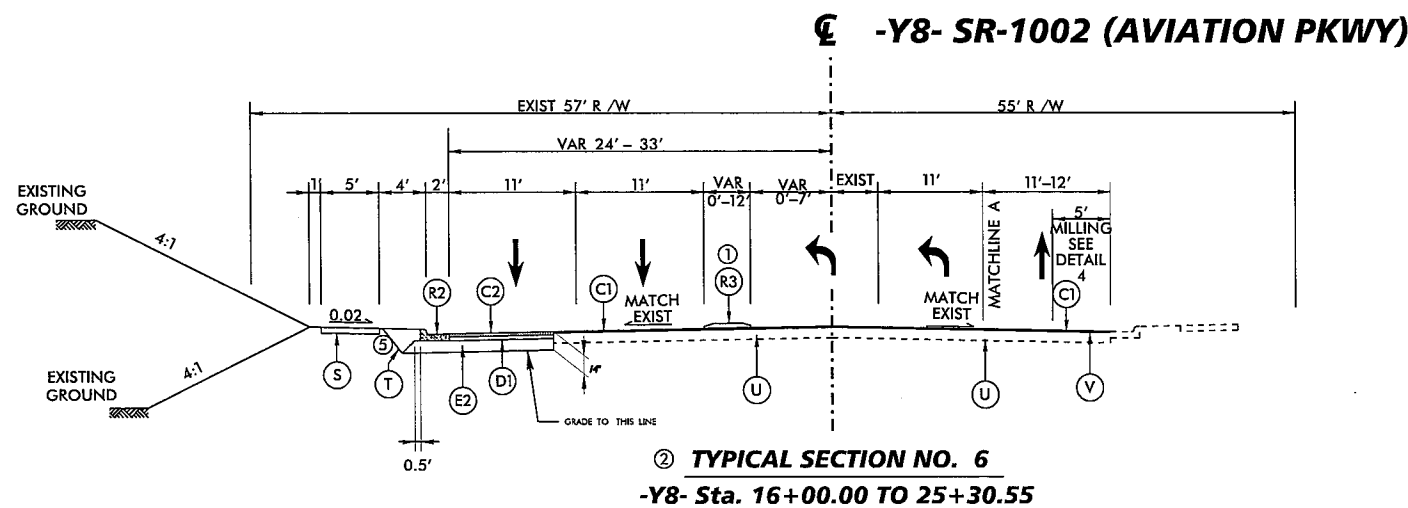
DOCUMENT NOT CONSIDERED FINAL UNLESS ALL SIGNATURES COMPLETED

TYPICAL SECTION NOTES:

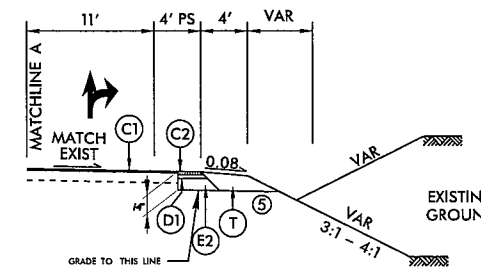
1. SEE PLAN SHEETS FOR SPECIFIC MEDIAN ISLAND LOCATIONS AND TYPES
2. SEE PARTIAL SECTIONS FOR EXCEPTIONS TO STATION LIMITS
3. USE WEDGING AS NECESSARY. SEE DETAIL 1, SHEET 2A-5
4. SEE PLAN SHEETS FOR LANE TAPER LOCATIONS
5. PAVEMENT EDGE SLOPES ARE 1:1 UNLESS OTHERWISE NOTED
6. SEE CROSS SECTIONS AND PROFILES FOR SPECIAL DITCH GRADES
7. SEE CROSS SECTIONS FOR CROSS SLOPE CONNECT EXISTING CENTERLINE TO EXISTING CURB
8. SIDEWALK LOCATIONS, WIDTH, AND OFFSETS FROM BACK OF CURB WILL VARY. SEE PLANS FOR SPECIFIC LOCATIONS AND DIMENSIONS.
9. SEE DETAIL 9, SHEET 2A-6 FOR SAWCUT DETAIL.



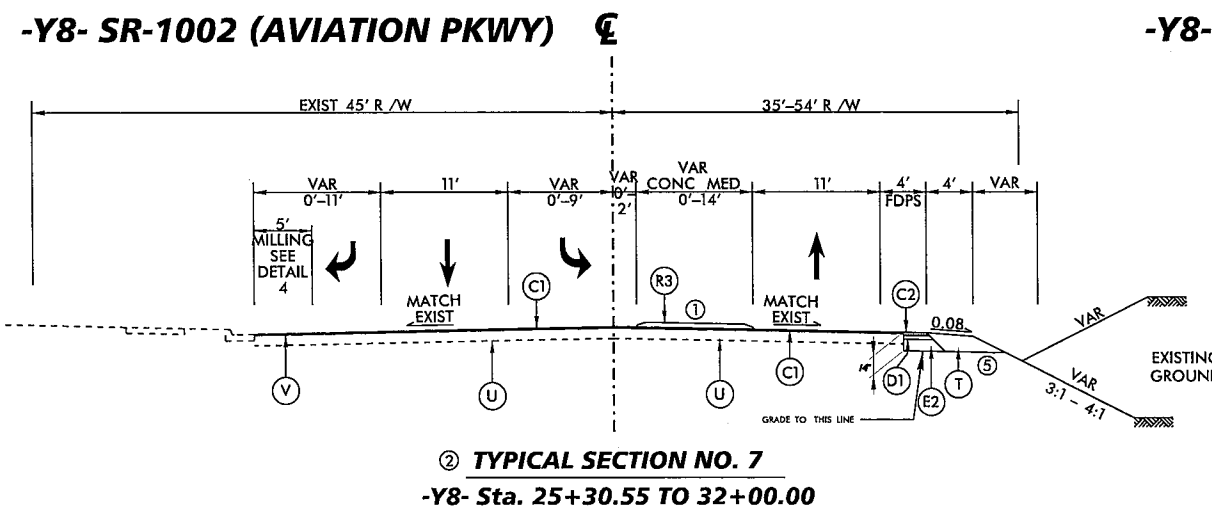
TYPICAL SECTION NO. 5
-Y7- Sta. 19+81.30 TO 24+44.30



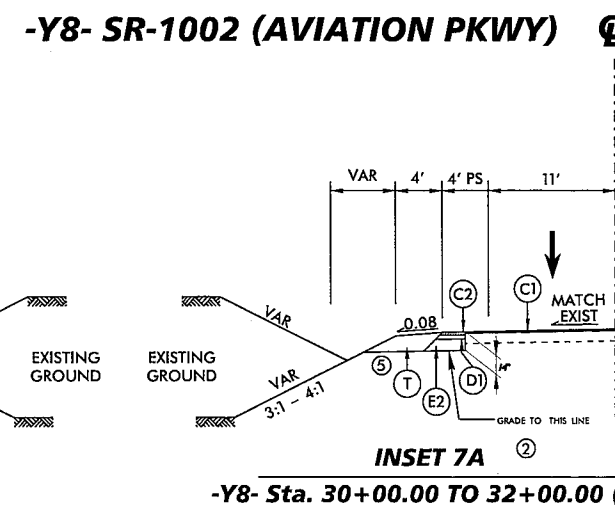
TYPICAL SECTION NO. 6
-Y8- Sta. 16+00.00 TO 25+30.55



INSET 6A
-Y8- Sta. 18+75.00 TO 25+30.55 (RT)



TYPICAL SECTION NO. 7
-Y8- Sta. 25+30.55 TO 32+00.00

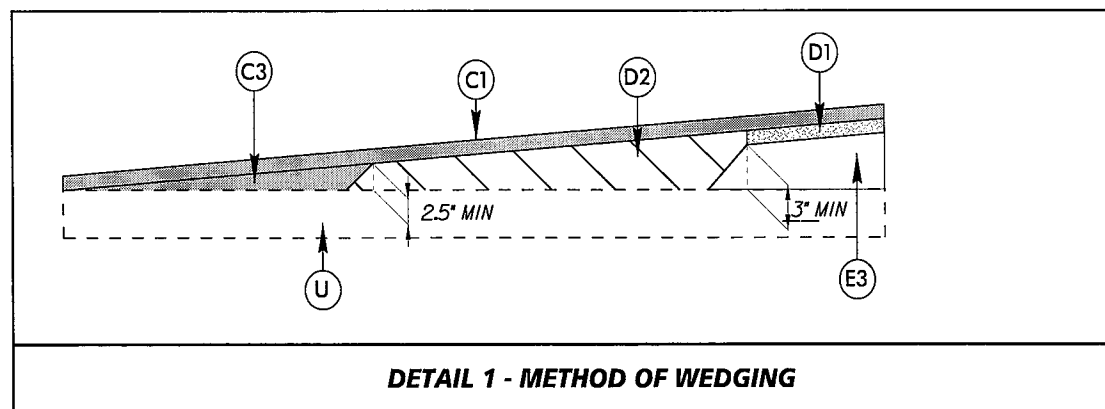


INSET 7A
-Y8- Sta. 30+00.00 TO 32+00.00 (LT)

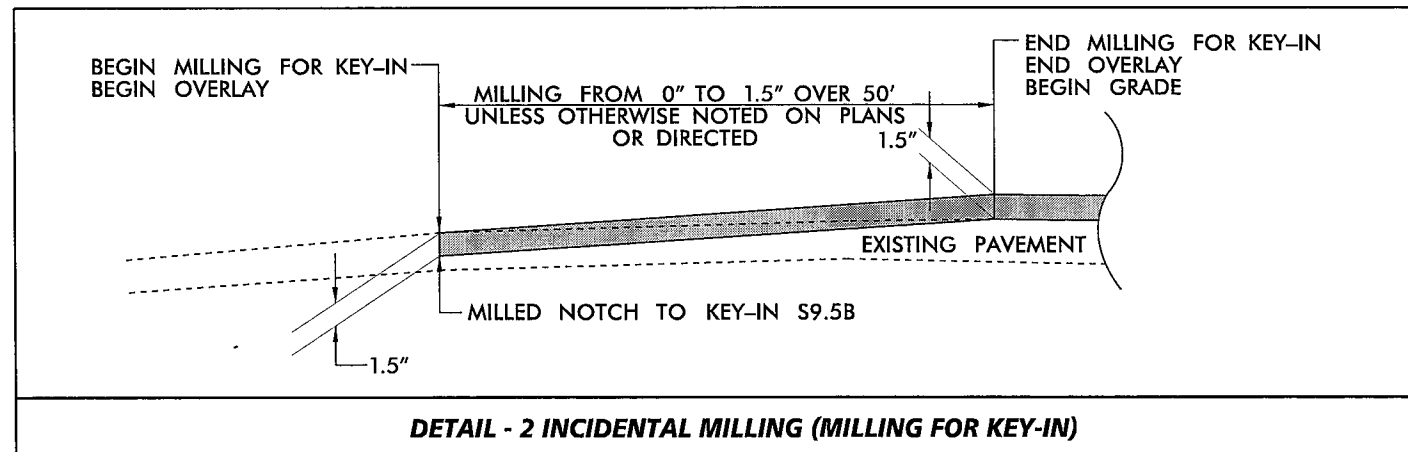
PAVEMENT SCHEDULE

C1	PROP. APPROX. 1.5" ASPHALT CONCRETE SURFACE COURSE, TYPE S9.5C, AT AN AVERAGE RATE OF 168 LBS. PER SQ. YD.
C2	PROP. APPROX. 3" ASPHALT CONCRETE SURFACE COURSE, TYPE S9.5C, AT AN AVERAGE RATE OF 168 LBS. PER SQ. YD. IN EACH OF TWO LAYERS.
C3	PROP. VAR. DEPTH ASPHALT CONCRETE SURFACE COURSE, TYPE S9.5C, AT AN AVERAGE RATE OF 112 LBS. PER SQ. YD. PER 1" DEPTH TO BE PLACED IN LAYERS NOT TO EXCEED 2" IN DEPTH OR LESS THAN 1.5" IN DEPTH.
D1	PROP. APPROX. 4" ASPHALT CONCRETE INTERMEDIATE COURSE, TYPE I19.0C, AT AN AVERAGE RATE OF 456 LBS. PER SQ. YD.
D2	PROP. VAR. DEPTH ASPHALT CONCRETE INTERMEDIATE COURSE, TYPE I19.0C, AT AN AVERAGE RATE OF 114 LBS. PER SQ. YD. PER 1" DEPTH TO BE PLACED IN LAYERS NOT TO EXCEED 4" IN DEPTH OR LESS THAN 2.5" IN DEPTH.
E1	PROP. APPROX. 6" ASPHALT CONCRETE BASE COURSE, TYPE B25.0C, AT AN AVERAGE RATE OF 342 LBS. PER SQ. YD. IN EACH OF TWO LAYERS
E2	PROP. APPROX. 7" ASPHALT CONCRETE BASE COURSE, TYPE B25.0C, AT AN AVERAGE RATE OF 399 LBS. PER SQ. YD. IN EACH OF TWO LAYERS.
E3	PROP. VAR. DEPTH ASPHALT CONCRETE BASE COURSE, TYPE B25.0C, AT AN AVERAGE RATE OF 114 LBS. PER SQ. YD. PER 1" DEPTH TO BE PLACED IN LAYERS NOT TO EXCEED 5.5" IN DEPTH OR LESS THAN 3" IN DEPTH.
J1	PROP. 6" AGGREGATE BASE COURSE.
J2	PROP. 10" AGGREGATE BASE COURSE.
R1	1'-6" CONCRETE CURB AND GUTTER.
R2	2'-6" CONCRETE CURB AND GUTTER.
R3	5' MONOLITHIC CONCRETE ISLAND (KEYED IN)
S	PROPOSED 4" CONCRETE SIDEWALK
T	EARTH MATERIAL.
U	EXISTING PAVEMENT.
V	MILLING ASPHALT PAVEMENT 1.5" DEPTH
W	VARIABLE DEPTH ASPHALT PAVEMENT (SEE STANDARD WEDGING DETAIL 1, SHEET 2A-5)

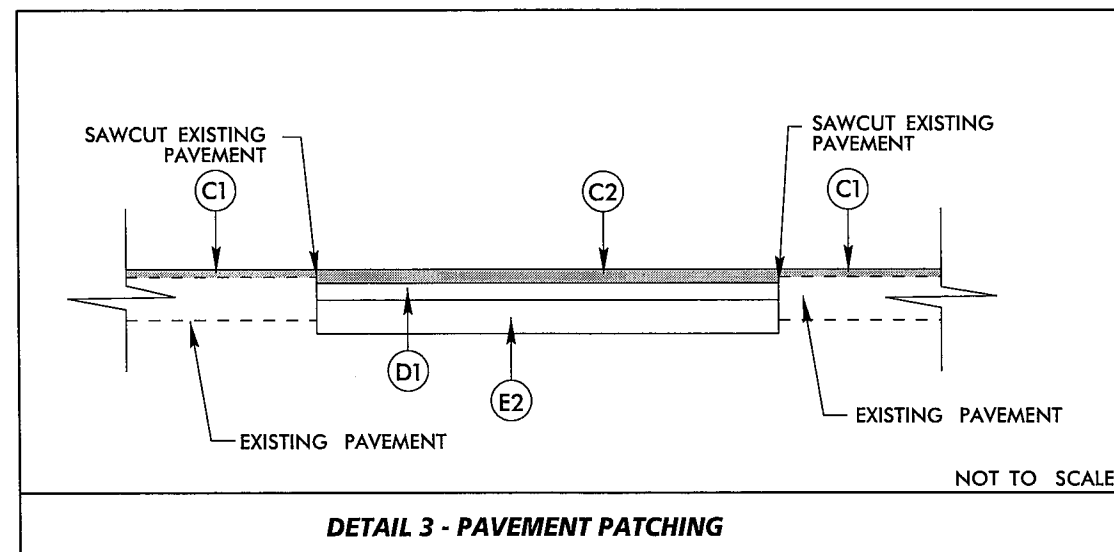
K:\RAL_Roadway\012106004 - MacCrinmon Parkway\Phase 1\Plan\Plan Sheets\U582B_rdy_jyp.dgn 3/18/2018



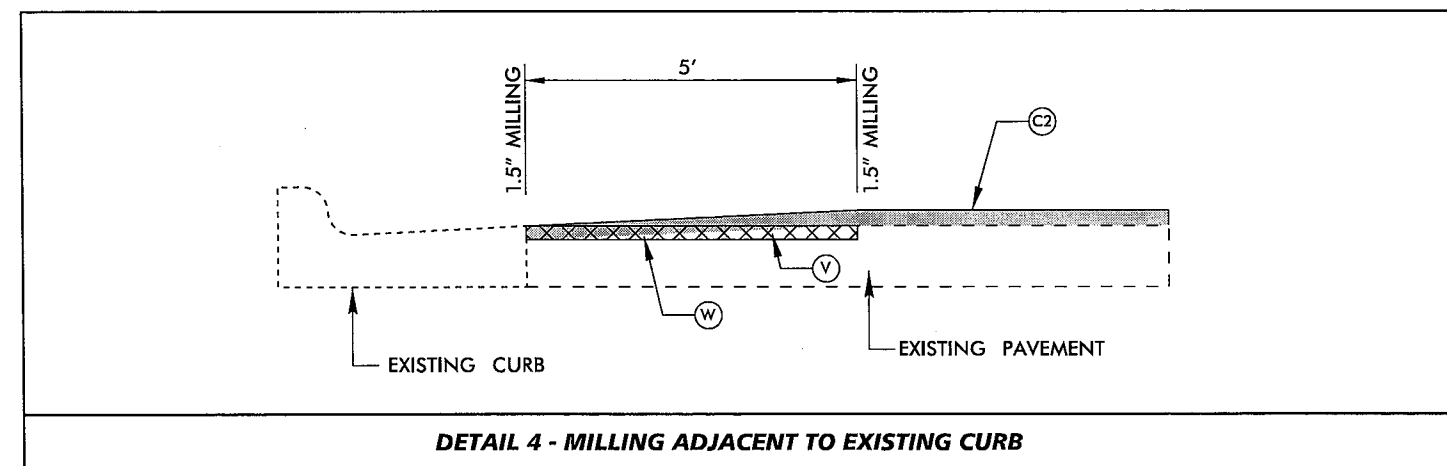
DETAIL 1 - METHOD OF WEDGING



DETAIL - 2 INCIDENTAL MILLING (MILLING FOR KEY-IN)



DETAIL 3 - PAVEMENT PATCHING



DETAIL 4 - MILLING ADJACENT TO EXISTING CURB

Kimley»Horn

P.O. BOX 33068
RALEIGH, N.C. 27636-3068

PROJECT REFERENCE NO. U-5828	SHEET NO. 2A-5
ROADWAY DESIGN ENGINEER	PAVEMENT DESIGN ENGINEER
DOCUMENT NOT CONSIDERED FINAL UNLESS ALL SIGNATURES COMPLETED	

PAVEMENT SCHEDULE

C1	PROP. APPROX. 1.5" ASPHALT CONCRETE SURFACE COURSE, TYPE S9.5C, AT AN AVERAGE RATE OF 168 LBS. PER SQ. YD.
C2	PROP. APPROX. 3" ASPHALT CONCRETE SURFACE COURSE, TYPE S9.5C, AT AN AVERAGE RATE OF 168 LBS. PER SQ. YD. IN EACH OF TWO LAYERS.
C3	PROP. VAR. DEPTH ASPHALT CONCRETE SURFACE COURSE, TYPE S9.5C, AT AN AVERAGE RATE OF 112 LBS. PER SQ. YD. PER 1" DEPTH TO BE PLACED IN LAYERS NOT TO EXCEED 2" IN DEPTH OR LESS THAN 1.5" IN DEPTH.
D1	PROP. APPROX. 4" ASPHALT CONCRETE INTERMEDIATE COURSE, TYPE I19.0C, AT AN AVERAGE RATE OF 456 LBS. PER SQ. YD.
D2	PROP. VAR. DEPTH ASPHALT CONCRETE INTERMEDIATE COURSE, TYPE I19.0C, AT AN AVERAGE RATE OF 114 LBS. PER SQ. YD. PER 1" DEPTH TO BE PLACED IN LAYERS NOT TO EXCEED 4" IN DEPTH OR LESS THAN 2.5" IN DEPTH.
E1	PROP. APPROX. 6" ASPHALT CONCRETE BASE COURSE, TYPE B25.0C, AT AN AVERAGE RATE OF 342 LBS. PER SQ. YD. IN EACH OF TWO LAYERS.
E2	PROP. APPROX. 7" ASPHALT CONCRETE BASE COURSE, TYPE B25.0C, AT AN AVERAGE RATE OF 399 LBS. PER SQ. YD. IN EACH OF TWO LAYERS.
E3	PROP. VAR. DEPTH ASPHALT CONCRETE BASE COURSE, TYPE B25.0C, AT AN AVERAGE RATE OF 114 LBS. PER SQ. YD. PER 1" DEPTH TO BE PLACED IN LAYERS NOT TO EXCEED 5.5" IN DEPTH OR LESS THAN 3" IN DEPTH.
J1	PROP. 6" AGGREGATE BASE COURSE.
J2	PROP. 10" AGGREGATE BASE COURSE.
R1	1'-6" CONCRETE CURB AND GUTTER.
R2	2'-6" CONCRETE CURB AND GUTTER.
R3	5' MONOLITHIC CONCRETE ISLAND (KEYED IN)
S	PROPOSED 4" CONCRETE SIDEWALK
T	EARTH MATERIAL.
U	EXISTING PAVEMENT.
V	MILLING ASPHALT PAVEMENT 1.5" DEPTH
W	VARIABLE DEPTH ASPHALT PAVEMENT (SEE STANDARD WEDGING DETAIL 1, SHEET 2A-5)

K:\RAL_Roadway\02108004 - McCrinmon Parkway\Phase 1\Plan\Plan Sheets\U5828_rdy_hyp.dgn 3/18/2018