

STATE OF NORTH CAROLINA  
DEPT. OF TRANSPORTATION  
DIVISION OF HIGHWAYS  
RALEIGH, N.C.

ENGLISH DETAIL DRAWING FOR  
**PEDESTRIAN PUSHBUTTON LOCATIONS**  
PLACEMENT DETAIL

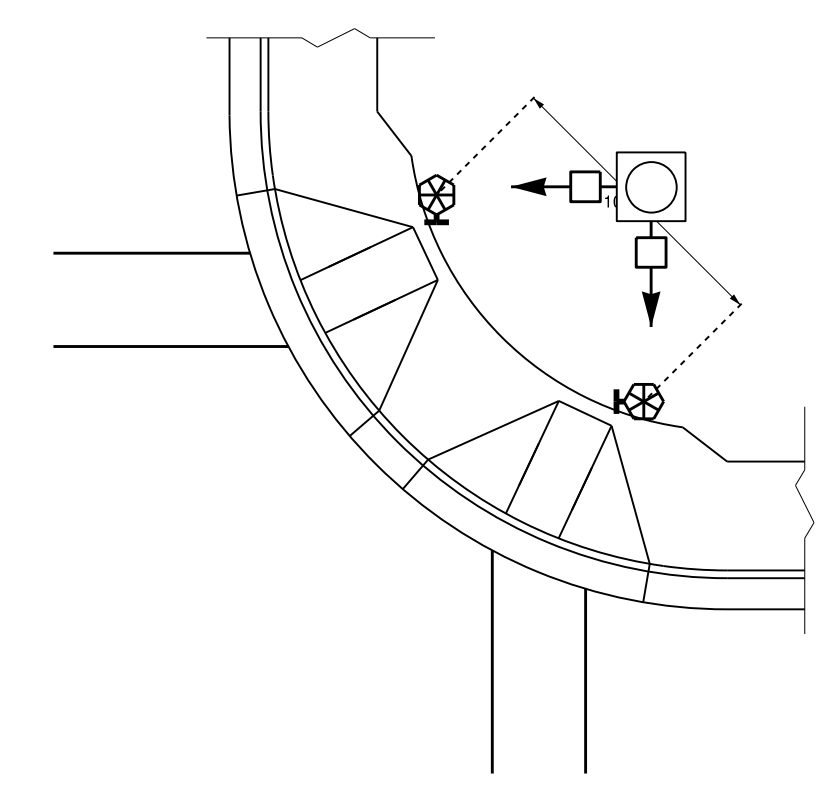
SHEET 2 OF 3  
**1705D01**

STATE OF NORTH CAROLINA  
DEPT. OF TRANSPORTATION  
DIVISION OF HIGHWAYS  
RALEIGH, N.C.

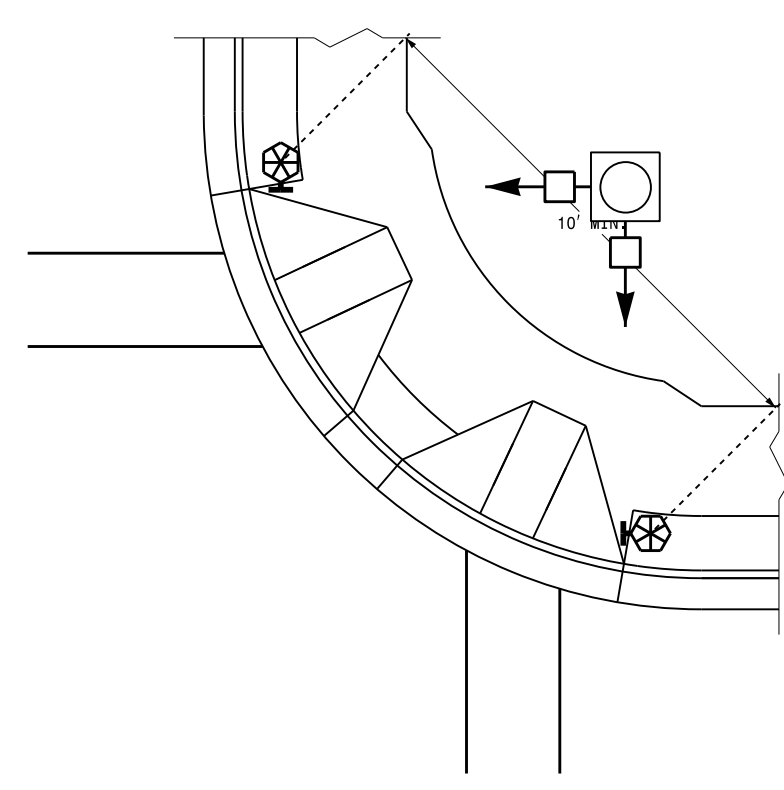
ENGLISH DETAIL DRAWING FOR  
**PEDESTRIAN PUSHBUTTON LOCATIONS**  
PLACEMENT DETAIL

SHEET 2 OF 3  
**1705D01**

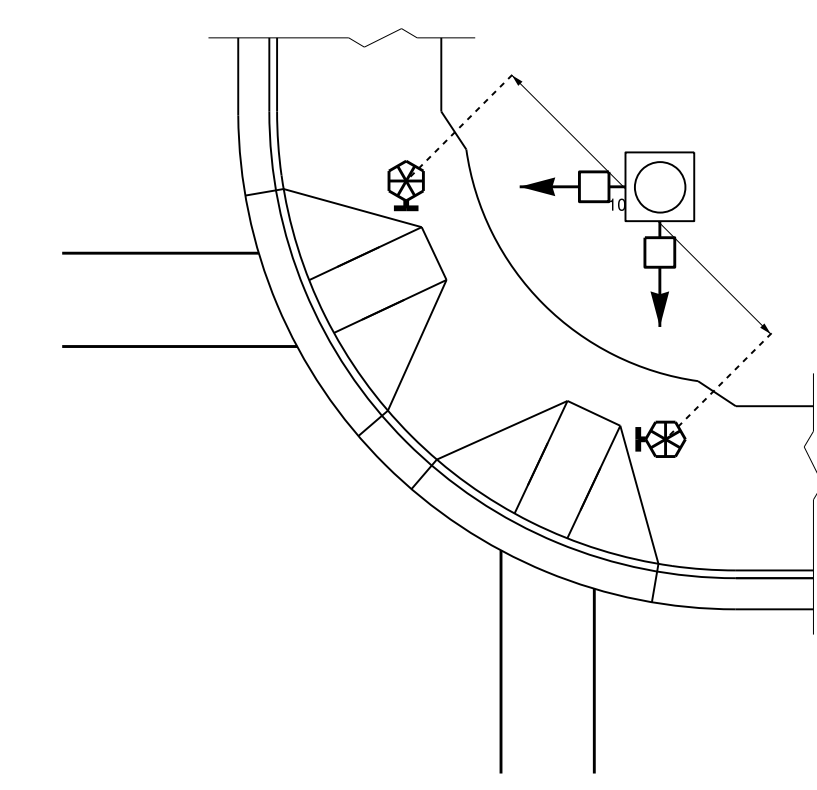
**TYPICAL PUSHBUTTON LOCATIONS (CASE I)**  
SEPARATE CURB RAMPS W/ TYPE I PEDESTALS



BACK OF SIDEWALK IS WITHIN 10'  
OF CURB OR PAVEMENT/SHOULDER



GRASS STRIP PLACEMENT IF BACK  
OF SIDEWALK EXCEEDS 10' FROM  
CURB OR PAVEMENT/SHOULDER



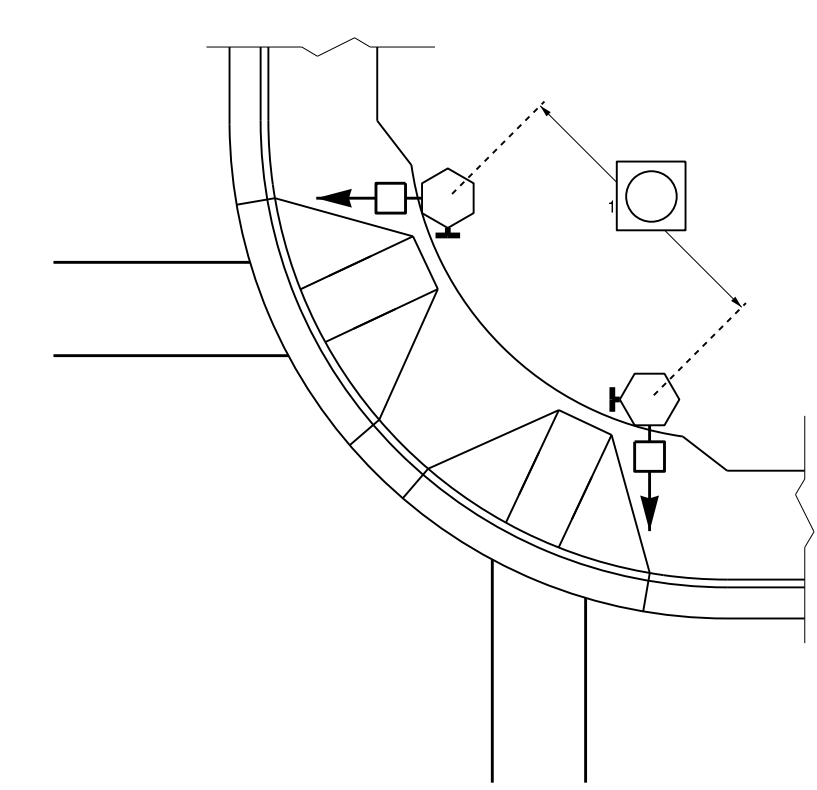
PUSHBUTTON PLACEMENT  
IN WIDE SIDEWALK

**PROPOSED**

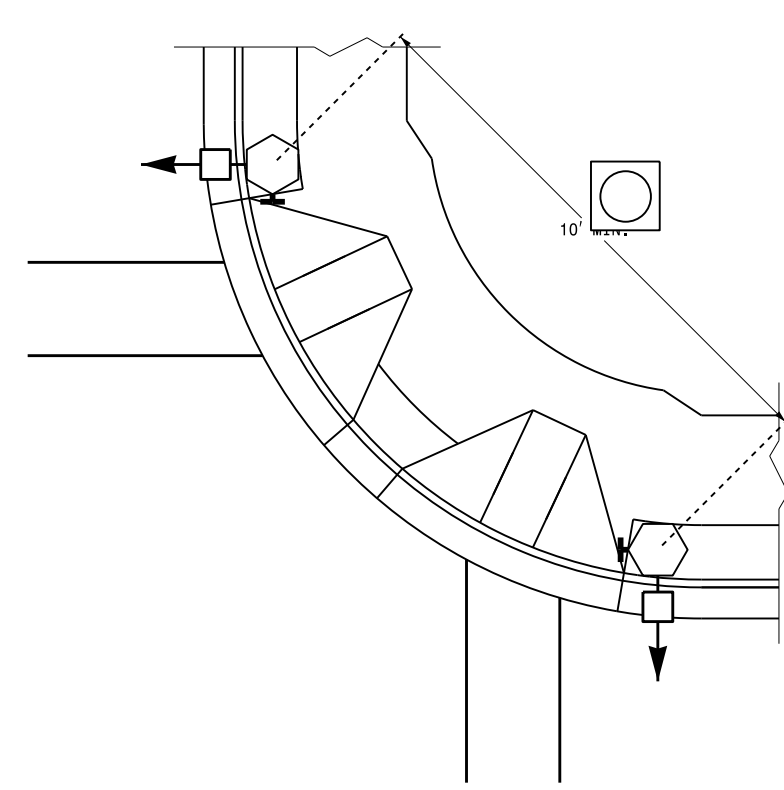
- Signal Pole
- Type I Pushbutton Post
- Type II Signal Pedestal
- Pushbutton & Sign
- Pedestrian Signal Head
- Curb Ramp
- Pushbutton Location Area

**LEGEND**

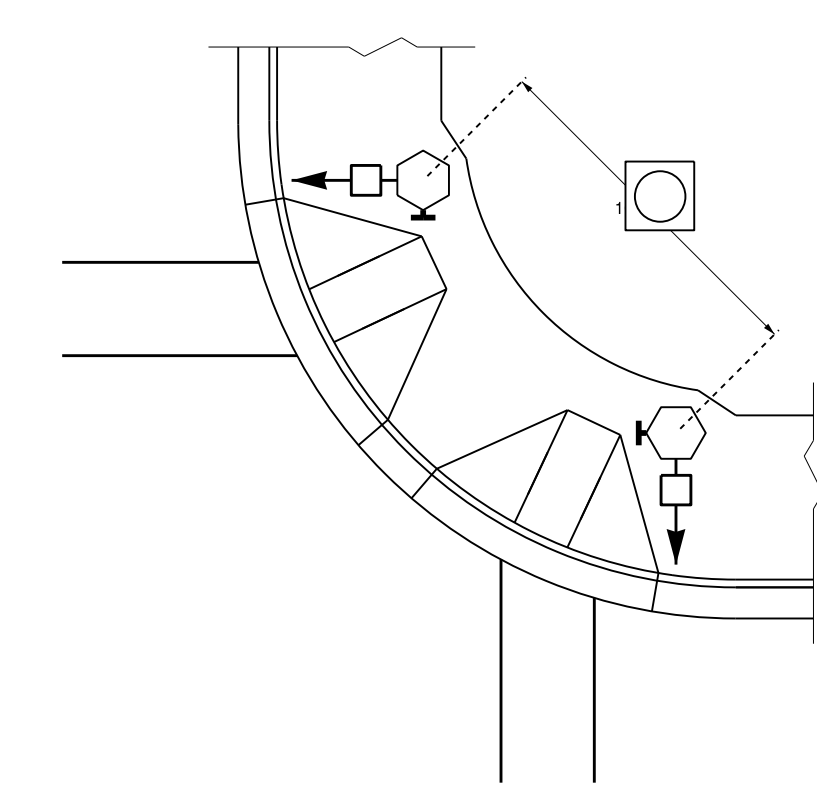
**TYPICAL PUSHBUTTON LOCATIONS (CASE II)**  
SEPARATE CURB RAMPS W/ TYPE II PEDESTALS



BACK OF SIDEWALK IS WITHIN 10'  
OF CURB OR PAVEMENT/SHOULDER

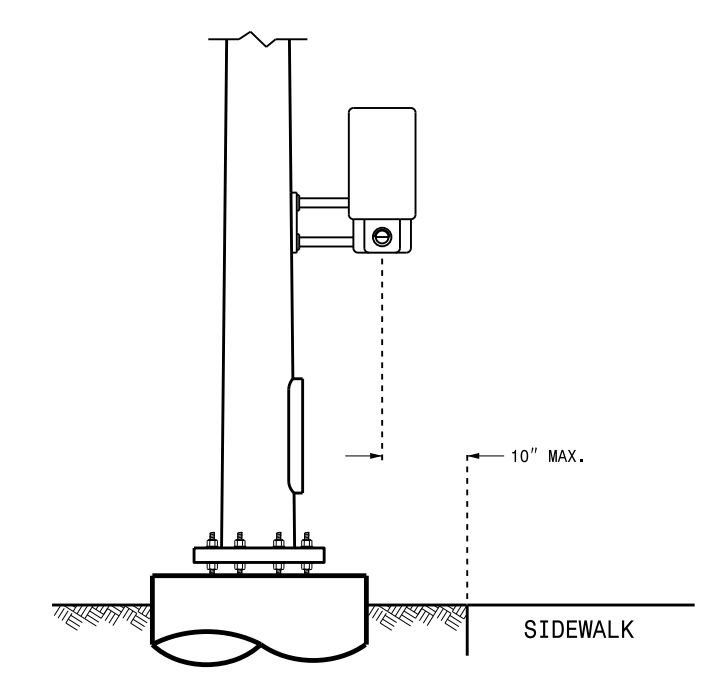


GRASS STRIP PLACEMENT IF BACK  
OF SIDEWALK EXCEEDS 10' FROM  
CURB OR PAVEMENT/SHOULDER



PUSHBUTTON PLACEMENT  
IN WIDE SIDEWALK

**OPTIONAL PUSHBUTTON EXTENSION**  
FACE OF PUSHBUTTON PARALLEL TO  
APPLICABLE CROSSWALK



C:\Users\rjz1emba\OneDrive\Signal Design\Section\Central Region\Rob's Files\Red State\Pushbutton Drawings\Pushbutton Place Drawings\20140617.dgn  
 S:\ITS\ASU\ITS\_Signal\Signal Design\Section\Central Region\Rob's Files\Red State\Pushbutton Drawings\Pushbutton Place Drawings\20140617.dgn  
 rjz1emba

See Plate for Title

Prepared in the Offices of:

750 N. Greenfield Parkway  
Garner, NC 27529

SEAL

DocuSigned by:  
*Robert J. Ziemba*  
188B486274464

SIGNATURE

6/17/2014  
DATE