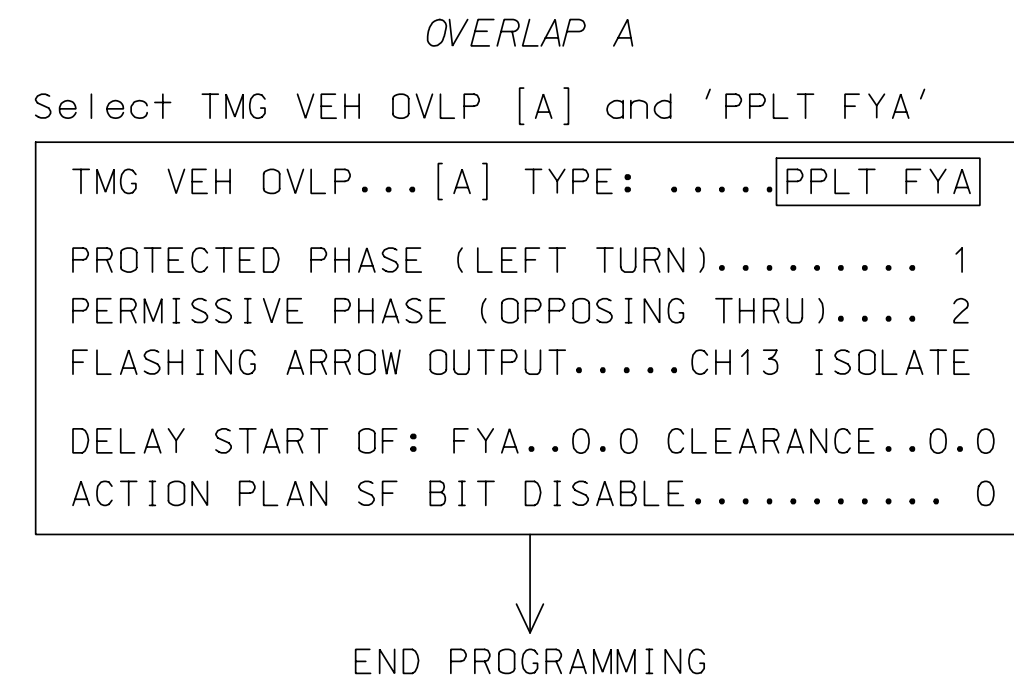


ECONOLITE ASC/3-2070 OVERLAP PROGRAMMING DETAIL

(program controller as shown)

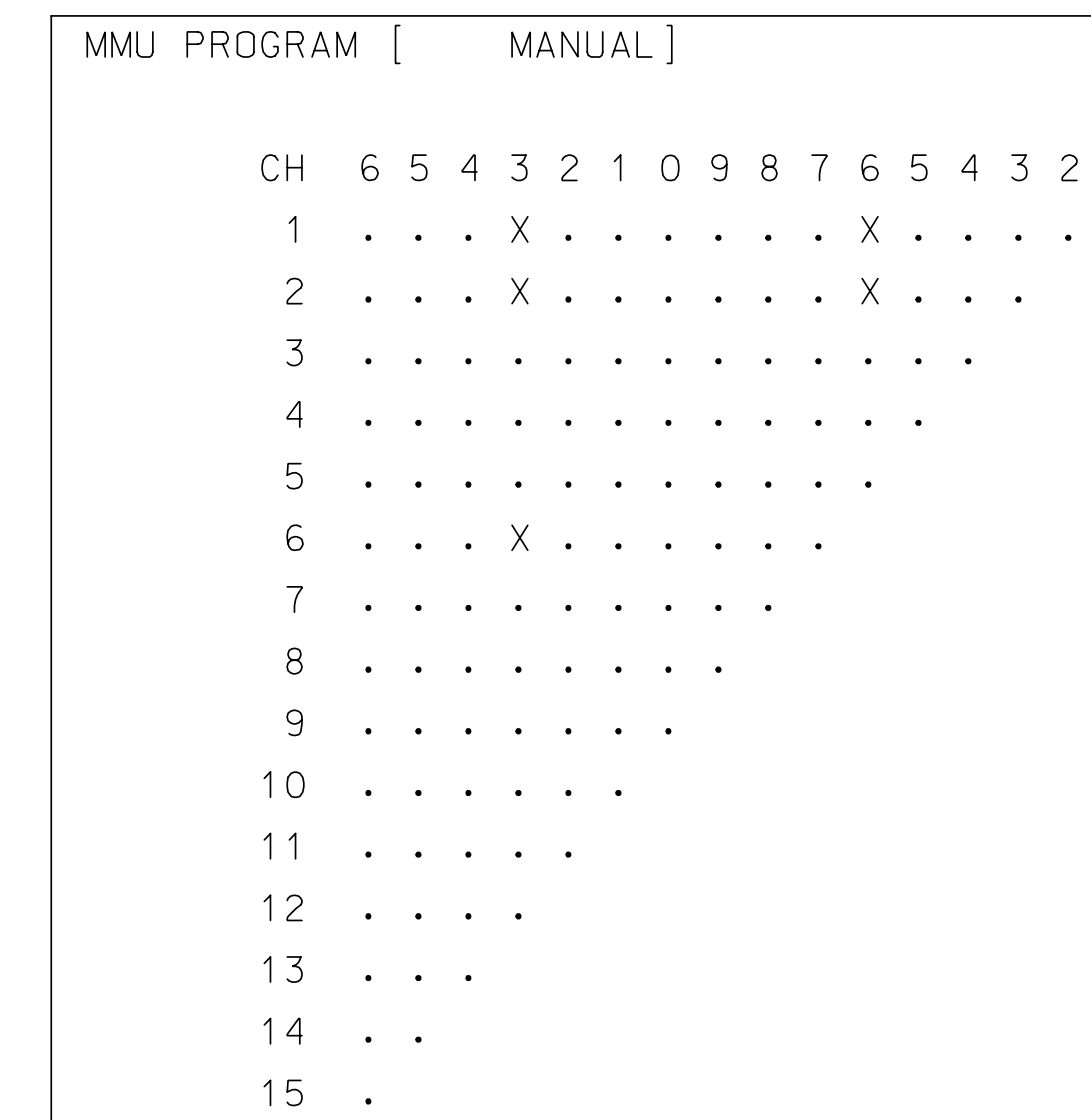
1. From Main Menu select 2. CONTROLLER
2. From CONTROLLER Submenu select 2. VEHICLE OVERLAPS



ECONOLITE ASC/3-2070 SPECIAL MMU PROGRAMMING

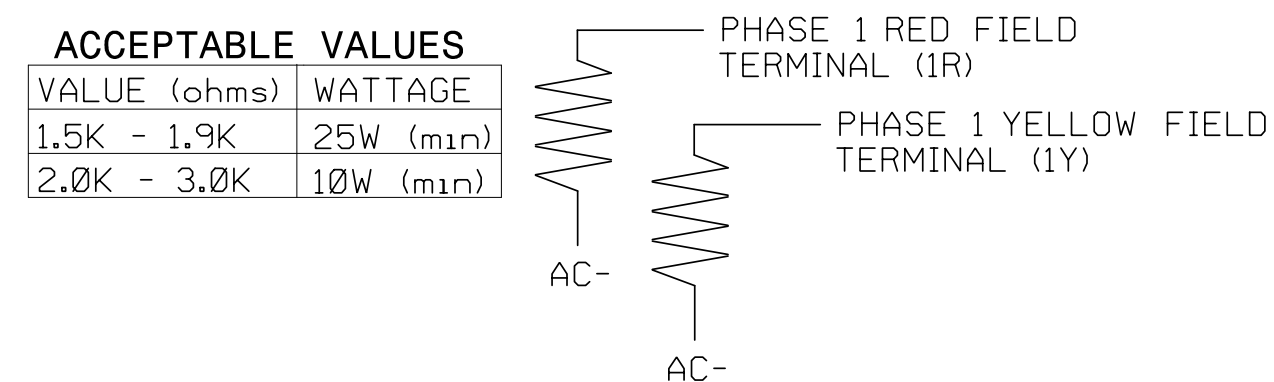
(program controller as shown)

1. From Main Menu select 1. CONFIGURATION
2. From CONFIGURATION Submenu select 4. PORT 1 (SDLC)
3. From PORT 1 (SDLC) Submenu select 2. MMU PROGRAM



LOAD RESISTOR INSTALLATION DETAIL

(install resistors as shown)



THIS ELECTRICAL DETAIL IS FOR THE SIGNAL DESIGN: 05-1533T2
 DESIGNED: APRIL 2016
 SEALED: 9/22/2016
 REVISED: N/A

NC Dept of Transportation
Division of Highways

Final Drawing Date: 10/10/2016

[Signature]
 STANLEY L. PHILLIPS
 ENGINEER
 ITS & Signals Unit

9/22/2016 9:09:56 AM susan.pennington K:\RAL_Roadway\012108004 - MCR\man Parkway\Phase 1\WP\anMS\signal\sk4 - Signal - Design\05-1533T2_2016e2.dgn

PLANS PREPARED IN THE OFFICE OF:
Kimley»Horn
 NC License #F-0102
 421 Fayetteville Street, Suite 600
 Raleigh, NC 27601
 (919) 677-2000

TEMPORARY DESIGN 2 - SHEET 2 OF 2		DOCUMENT NOT CONSIDERED FINAL UNLESS ALL SIGNATURES COMPLETED
ELECTRICAL AND PROGRAMMING DETAILS FOR:	SR 1002 (Aviation Parkway) at SR 3084 (Evans Road)	
Prepared For: 	Division 5 Wake County Morrisville	SEAL
PLAN DATE: April 2016	REVIEWED BY: SL PHILLIPS	DATE: 9/22/2016
PREPARED BY: SP PENNINGTON	REVIEWED BY:	DATE:
REVISIONS	INIT.	DATE
750 N. Greenfield Plaza, Garner, NC 27529	SIG. INVENTORY NO. 05-1533T2	