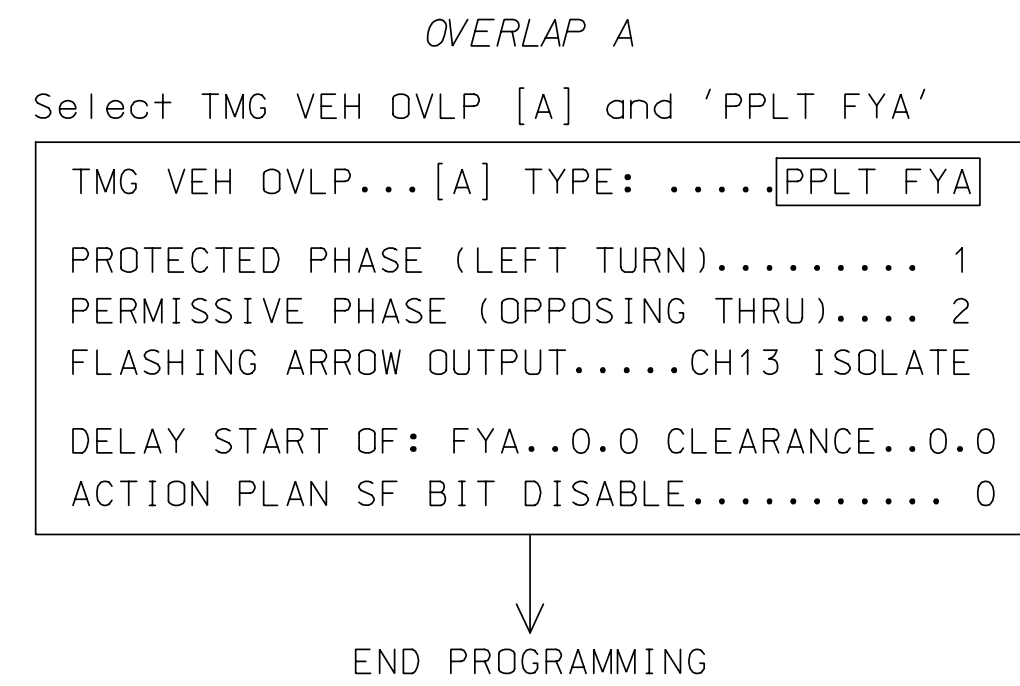


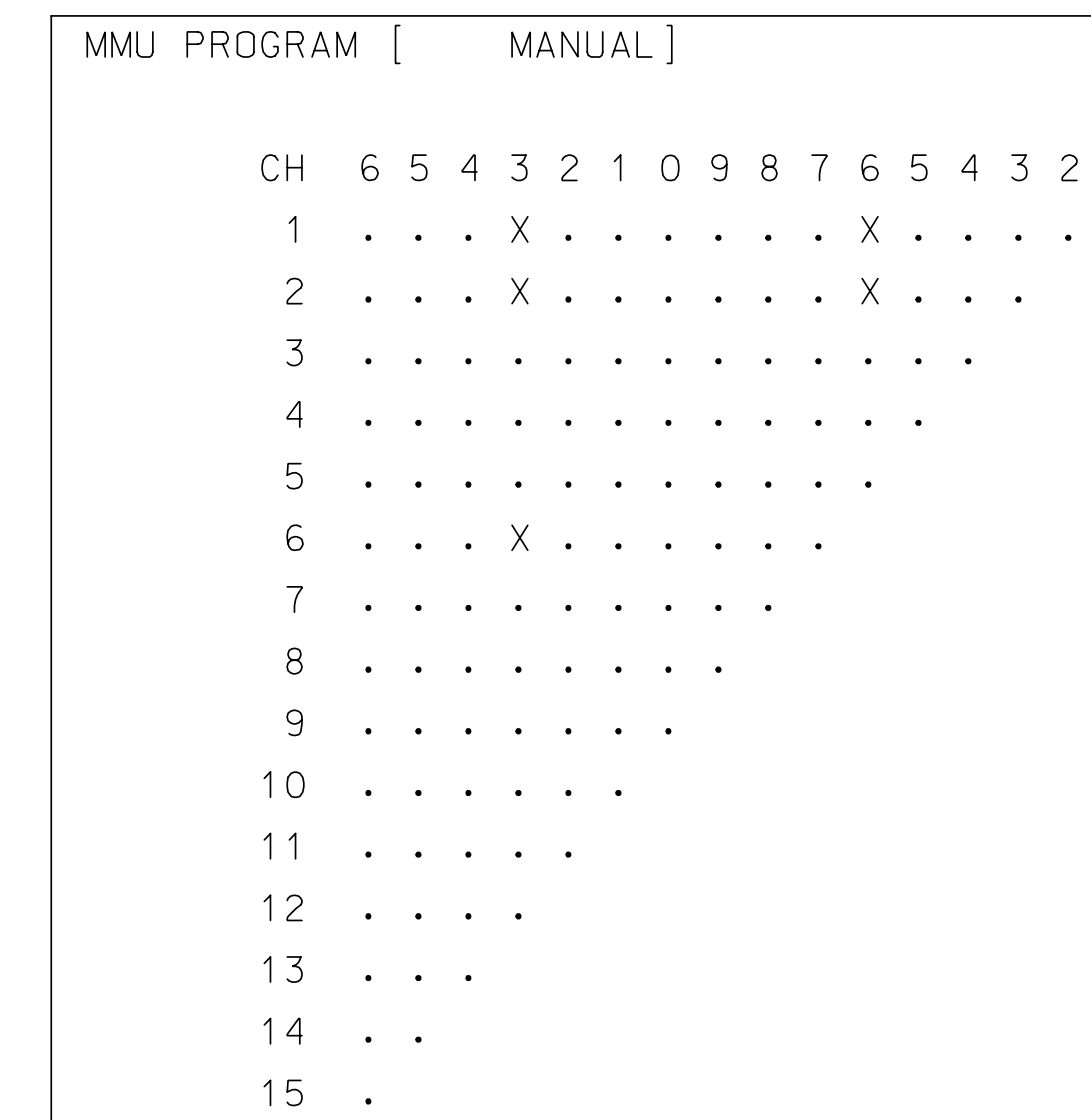
### ECONOLITE ASC/3-2070 OVERLAP PROGRAMMING DETAIL (program controller as shown)

- From Main Menu select **2. CONTROLLER**
- From CONTROLLER Submenu select **2. VEHICLE OVERLAPS**



### ECONOLITE ASC/3-2070 SPECIAL MMU PROGRAMMING (program controller as shown)

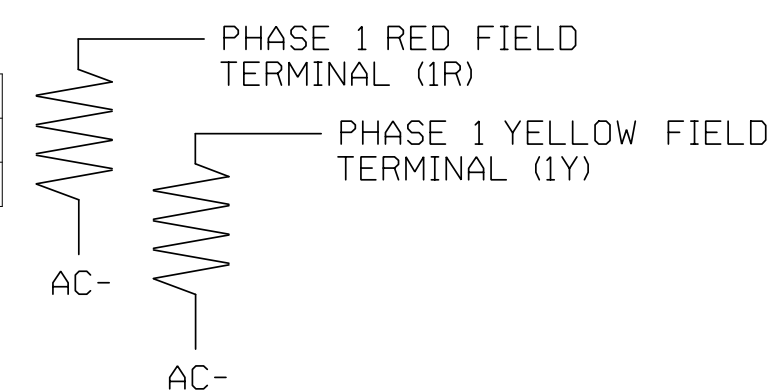
- From Main Menu select **1. CONFIGURATION**
- From CONFIGURATION Submenu select **4. PORT 1 (SDLC)**
- From PORT 1 (SDLC) Submenu select **2. MMU PROGRAM**



END PROGRAMMING

### LOAD RESISTOR INSTALLATION DETAIL (install resistors as shown)

VALUE (ohms)	WATTAGE
1.5K - 1.9K	25W (min)
2.0K - 3.0K	10W (min)



THIS ELECTRICAL DETAIL IS FOR THE SIGNAL DESIGN: 05-1533T1  
 DESIGNED: APRIL 2016  
 SEALED: 9/22/2016  
 REVISED: N/A

NC Dept of Transportation  
 Division of Highways  
 Final Drawing Date: 10/10/2016  
 DocuSigned by: *Stacie L. Phillips*  
 STACIE L. PHILLIPS  
 ITS & Signals Unit

TEMPORARY DESIGN 1 - SHEET 2 OF 2

ELECTRICAL AND PROGRAMMING DETAILS FOR:  Prepared For:  750 N. Greenfield Plaza, Garner, NC 27529	<b>SR 1002 (Aviation Parkway)          at          SR 3084 (Evans Road)</b>  Division 5      Wake County      Morrisville PLAN DATE: April 2016      REVIEWED BY: SL PHILLIPS PREPARED BY: SP PENNINGTON      REVIEWED BY:	SEAL  DocuSigned by: <i>Stacie L. Phillips</i> 9/22/2016 DATE SIG. INVENTORY NO. 05-1533T1
--	--	--

PLANS PREPARED IN THE OFFICE OF:  
**Kimley»Horn**  
 NC License #F-0102  
 421 Fayetteville Street, Suite 600  
 Raleigh, NC 27601  
 (919) 677-2000

9/22/2016 9:09:52 AM susan.pennington K:\RAL\_Roadway\012108004 - MCR\Immon Parkway\Phase 1\WP\anMS\Signal\sk4 - Signal\_Design\07\_05-1533T1\_2016e2.dgn