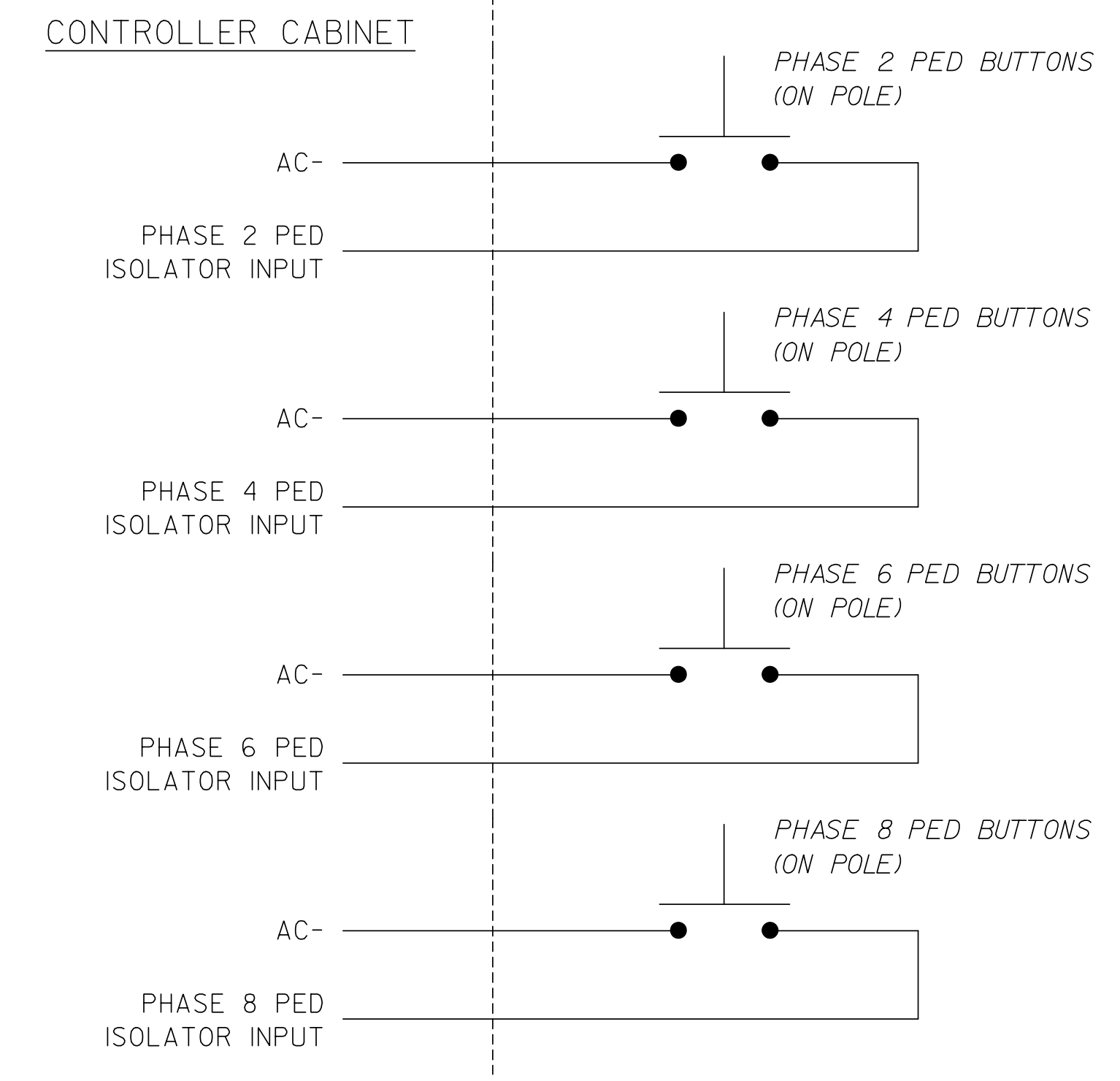


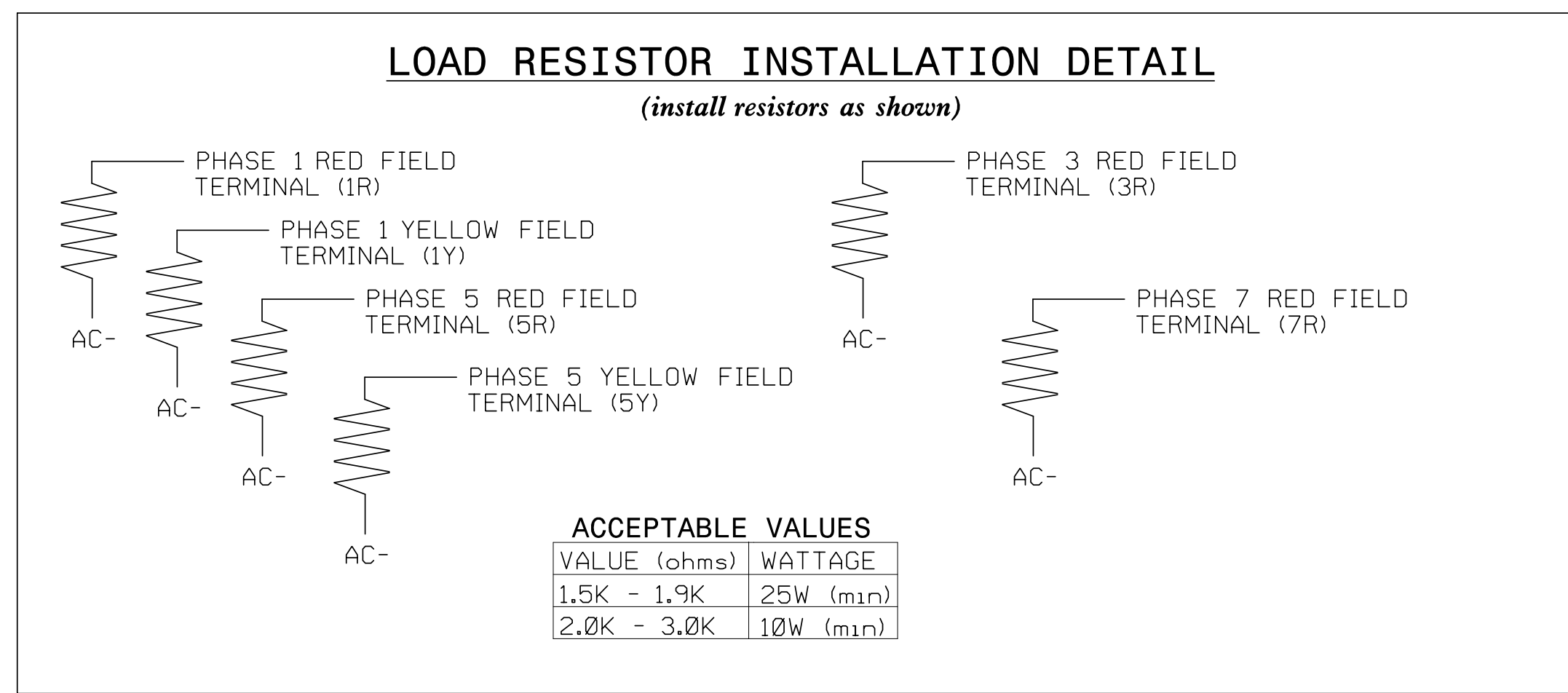
PEDESTRIAN PUSH BUTTON WIRING DETAIL

(wire push buttons as shown)



LOAD RESISTOR INSTALLATION DETAIL

(install resistors as shown)



COUNTDOWN PEDESTRIAN SIGNAL OPERATION

Countdown Ped Signals are required to display timing only during Ped Clearance Interval. Consult Ped Signal Module user's manual for instructions on selecting this feature.

NC Dept of Transportation
 Division of Highways
 Final Drawing Date: 10/10/2016
 Designed by: *[Signature]*
 ITS & Signals Unit

THIS ELECTRICAL DETAIL IS FOR
 THE SIGNAL DESIGN: 05-2033
 DESIGNED: APRIL 2016
 SEALED: 9/22/2016
 REVISED:

Electrical Detail - Sheet 3 of 3

DOCUMENT NOT CONSIDERED FINAL
 UNLESS ALL SIGNATURES COMPLETED

PLANS PREPARED IN THE OFFICE OF:
Kimley»Horn
 NC License #F-0102
 421 Fayetteville Street, Suite 600
 Raleigh, NC 27601
 (919) 677-2000

ELECTRICAL AND PROGRAMMING
 DETAILS FOR:
 Prepared For:

 750 N. Greenfield Pkwy, Garner, NC 27529

SR 3015 (Airport Boulevard)
 at
 SR 3127 (McCrimmon Parkway)
 Division 5 Wake County Morrisville
 PLAN DATE: APRIL 2016 REVIEWED BY: SL PHILLIPS
 PREPARED BY: SP PENNINGTON REVIEWED BY:

REVISIONS	INIT.	DATE

SEAL

 9/22/2016
 DATE
 SIG. INVENTORY NO. 05-2033

9/22/2016 9:09:46 AM susan.pennington K:\RAL_Roadway\012108004 - McCrimmon Parkway\Phase 1\WP\ans\Signal\sig4 - Signal Des\gn\04_05-2033_2016a3.dgn