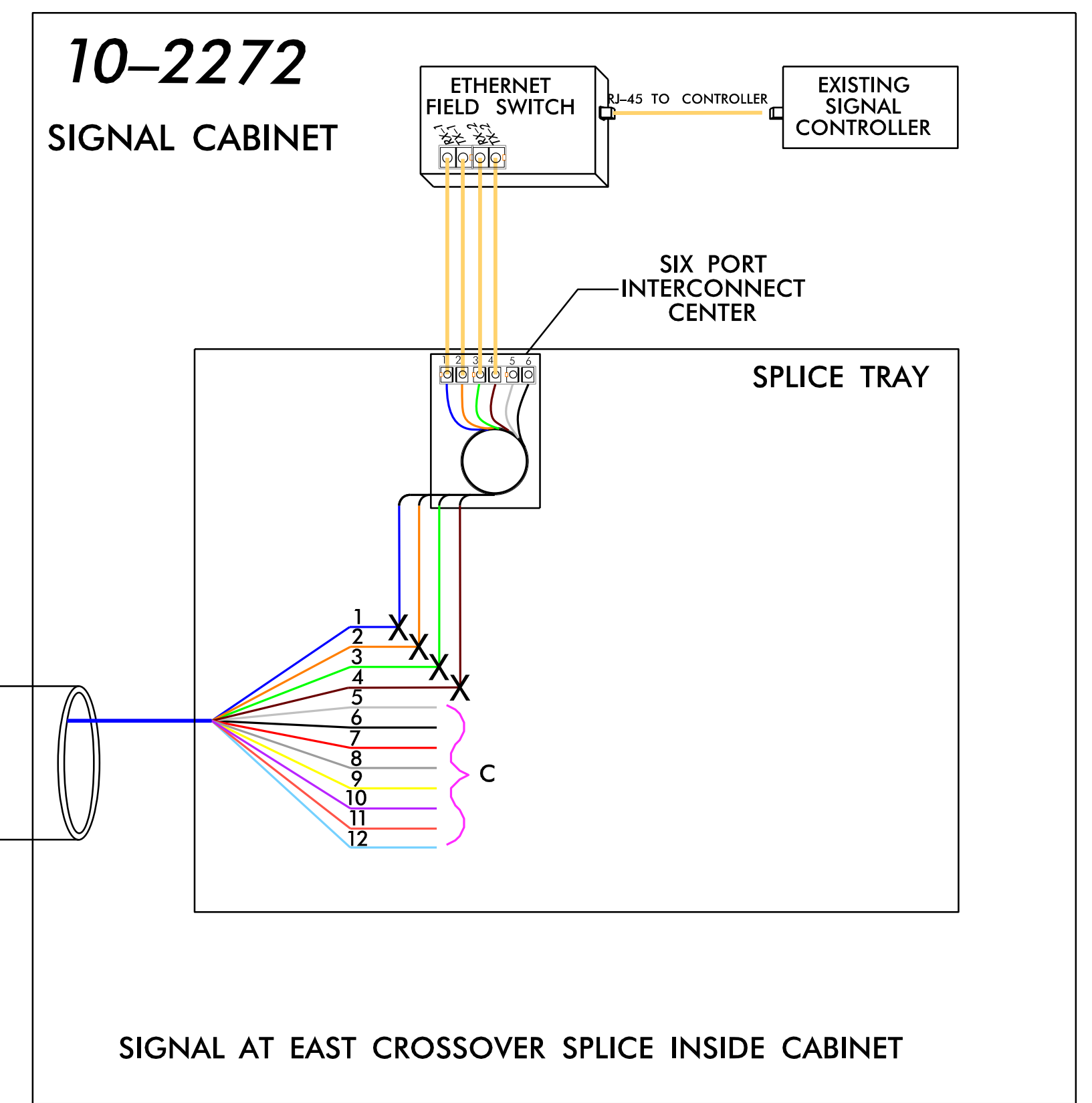
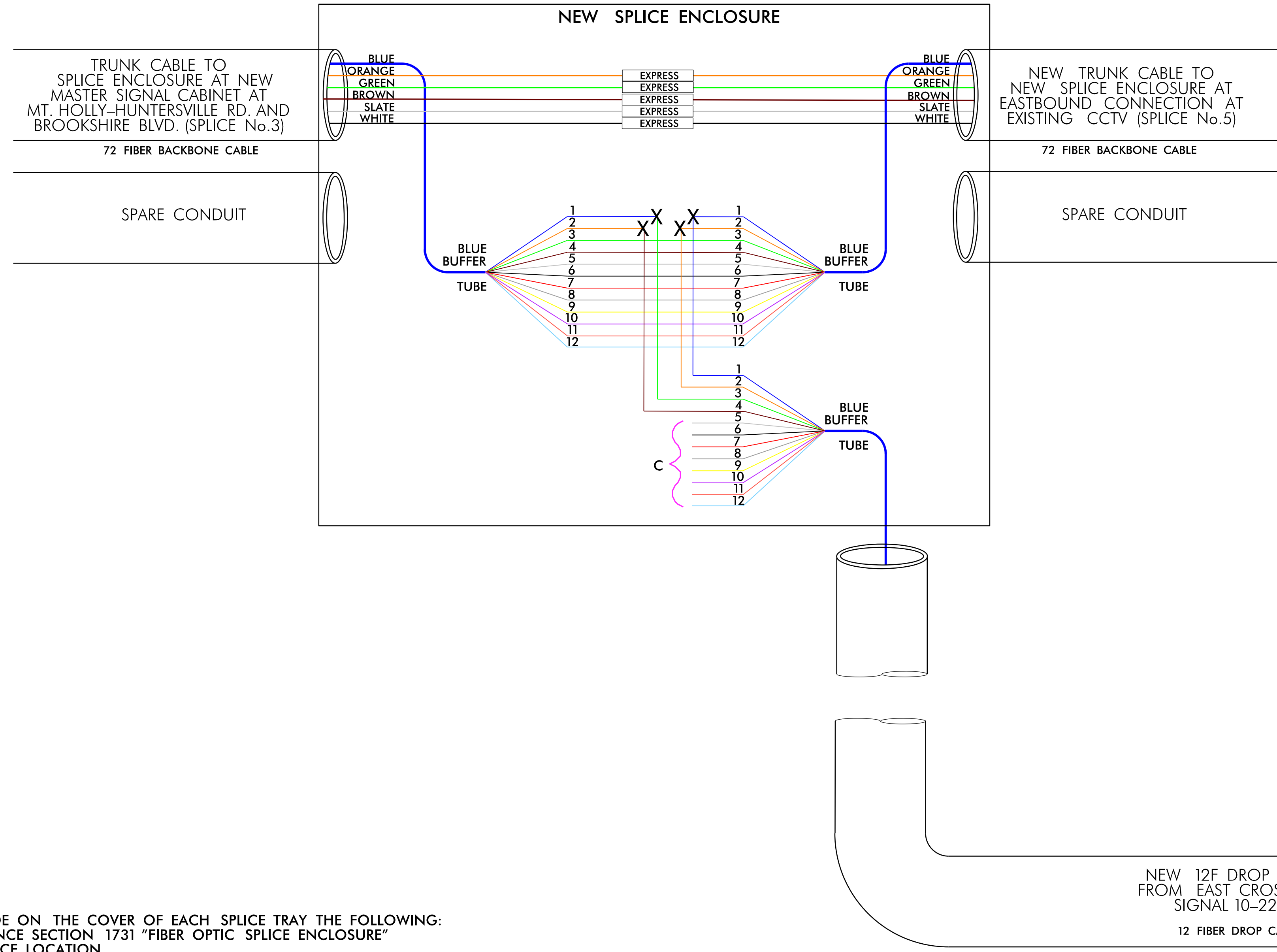


**SPLICE ENCLOSURE AT
EASTBOUND CROSSOVER SIGNAL
10-2272
ON BROOKSHIRE BLVD.**

SPLICE No. 4

EXPRESS ALL FIBERS IN ORANGE, GREEN, BROWN,
SLATE, WHITE BUFFER TUBES



INCLUDE ON THE COVER OF EACH SPLICE TRAY THE FOLLOWING:
REFERENCE SECTION 1731 "FIBER OPTIC SPLICE ENCLOSURE"
1) SPLICE LOCATION
2) DATE
3) COMPANY NAME
4) NAME OF INDIVIDUAL PERFORMING THE SPLICING
PRIOR TO INSTALLING THE COVER ON THE SPLICE TRAY TAKE A DIGITAL PHOTOGRAPH SHOWING THE SPLICE TRAY AND INFORMATION SHOWN ABOVE (1-4) AND SUBMIT PHOTOGRAPH ALONG WITH OTDR TEST RESULTS.

**COLOR CODE
TIA/EIA 598-A**

- | | |
|------------|-------------|
| (1) BLUE | (7) RED |
| (2) ORANGE | (8) BLACK |
| (3) GREEN | (9) YELLOW |
| (4) BROWN | (10) VIOLET |
| (5) SLATE | (11) ROSE |
| (6) WHITE | (12) AQUA |

LEGEND

- X = FUSION SPLICE
- C = CAP IN TRAY
- EXPRESS = EXPRESS ENTIRE BUFFER TUBE THROUGH WITHOUT CUTTING
- REEL END SPLICE = SPLICE ALL FIBERS IN BUFFER TUBE

NOTES

- UNUSED FIBER SHALL BE LEFT COILED AND STORED IN THE SPLICE TRAY.
- UNUSED BUFFER TUBES SHALL BE LEFT COILED AND STORED IN THE SPLICE TRAY.
- ETHERNET TERMINATION CONFIGURATIONS ARE GENERIC. THE CONTRACTOR SHALL BE RESPONSIBLE FOR DETERMINING AND ENSURING PROPER TERMINATION.

TMP Phase I(Final)

<p>Stantec Stantec Consulting Services Inc. 801 Jones Franklin Road Suite 300 Raleigh, NC 27606 Tel. (919) 851-6866 Fax. (919) 851-7024 www.stantec.com License No. F-0672</p>	<p>Prepared in the Offices of:</p> <p>750 N. Greenfield Pkwy., Garner, NC 27529</p>	<p>FIBER OPTIC SPLICE DETAILS for 10-2272, SPLICE No.4</p>		<p>SEAL 29449 Betsy L. Watson ENGINEER</p>								
		<p>PLAN DATE: 2017</p> <p>PREPARED BY: J. INGRAM</p> <p>SCALE: N/A</p>	<p>REVIEWED BY: D. HARRIS</p> <p>REVIEWED BY: B. WATSON</p>	<p>DIV 10 MECKLENBURG CO. CHARLOTTE</p>	<p>REVISIONS</p> <table border="1"> <tr> <th>NO.</th> <th>DATE</th> <th>INIT.</th> <th>DATE</th> </tr> <tr> <td> </td> <td> </td> <td> </td> <td> </td> </tr> </table>	NO.	DATE	INIT.	DATE			
NO.	DATE	INIT.	DATE									