

SPLICE ENCLOSURE AT THE INTERSECTION OF BROOKSHIRE BLVD. AND MT. HOLLY-HUNTERSVILLE RD.

SPLICE No. 3

NEW TRUNK CABLE TO NEW SPLICE ENCLOSURE AT WEST CROSSOVER SIGNAL 10-2271 (SPLICE No.2)

72 FIBER BACKBONE CABLE

SPARE CONDUIT

FOR MAINLINE 72 TRUNK CABLE, SPLICE BLUE AND ORANGE BUFFERS AS SHOWN AND EXPRESS ALL OTHER BUFFERS

NEW SPLICE ENCLOSURE

NEW TRUNK CABLE TO NEW SPLICE ENCLOSURE AT EAST CROSSOVER SIGNAL 10-2272 (SPLICE No.4)

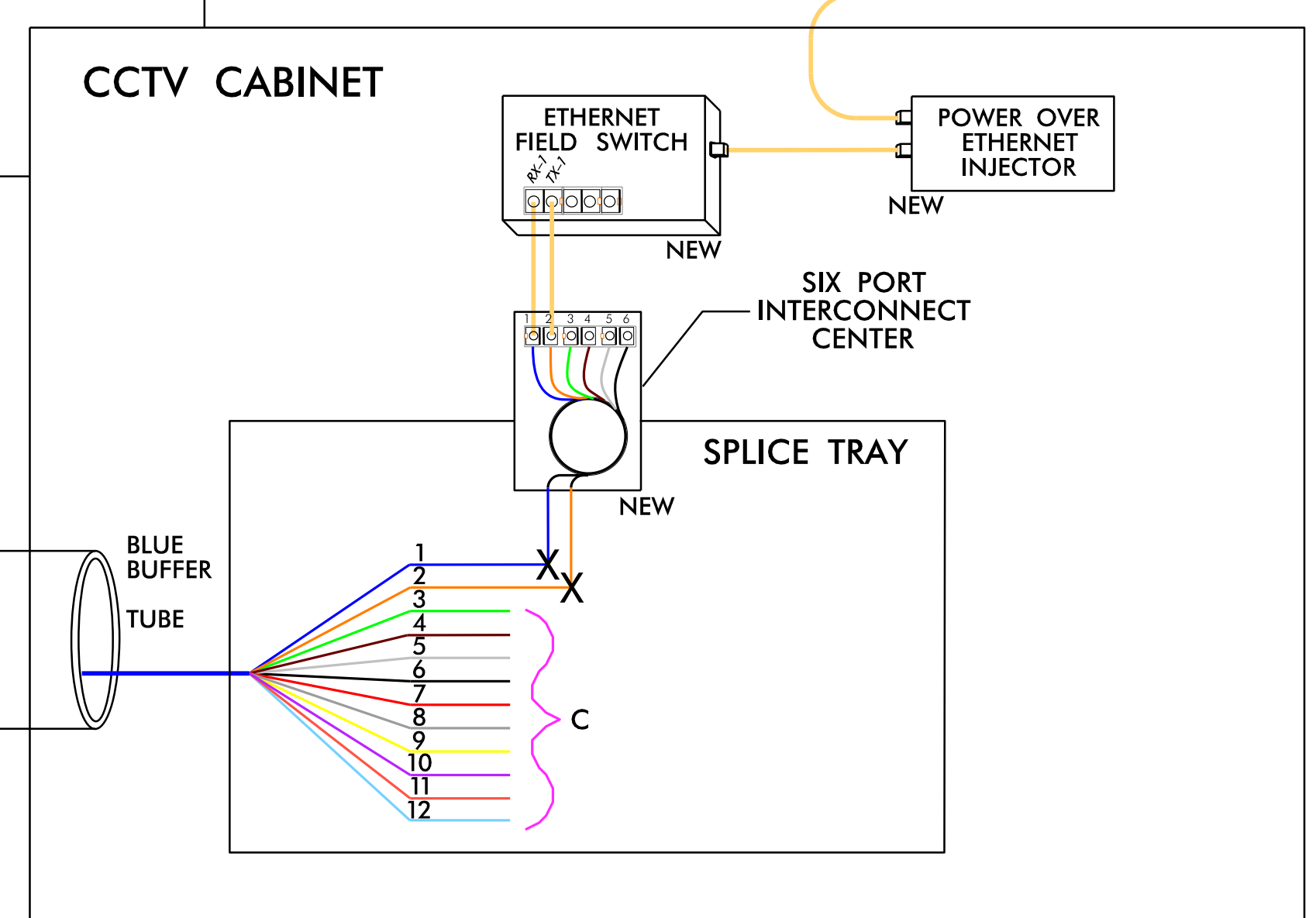
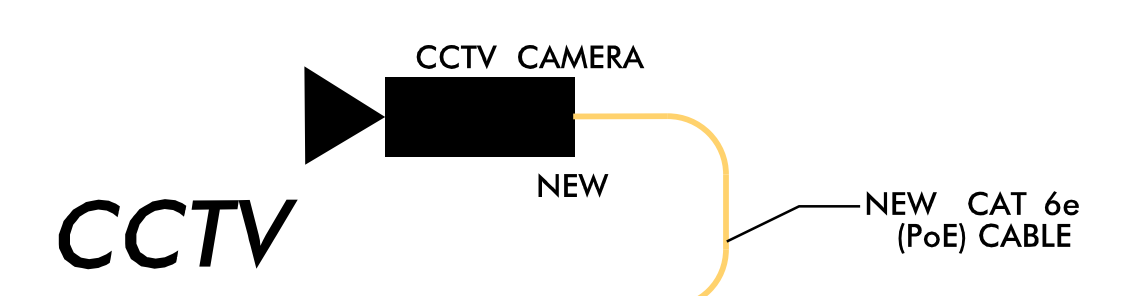
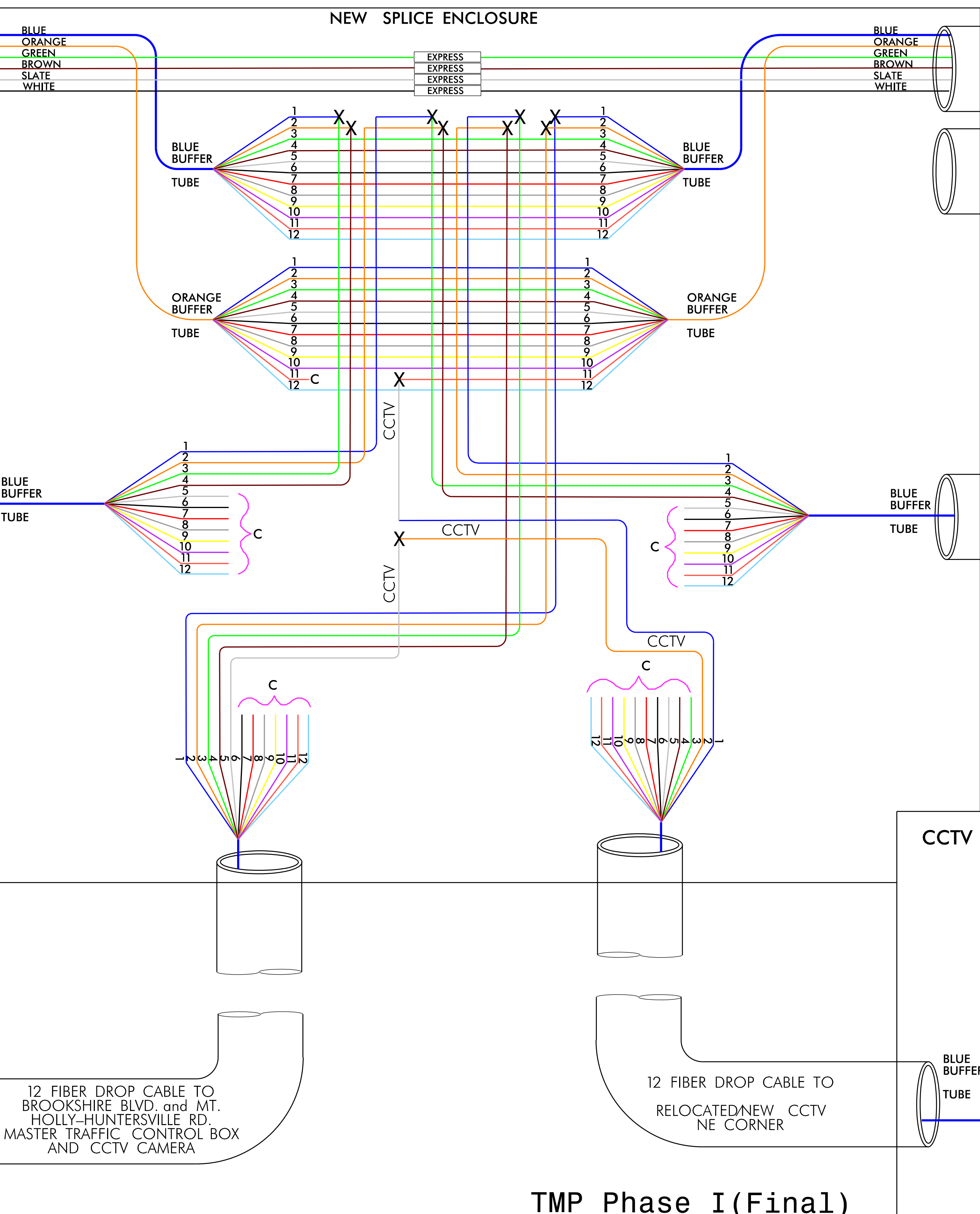
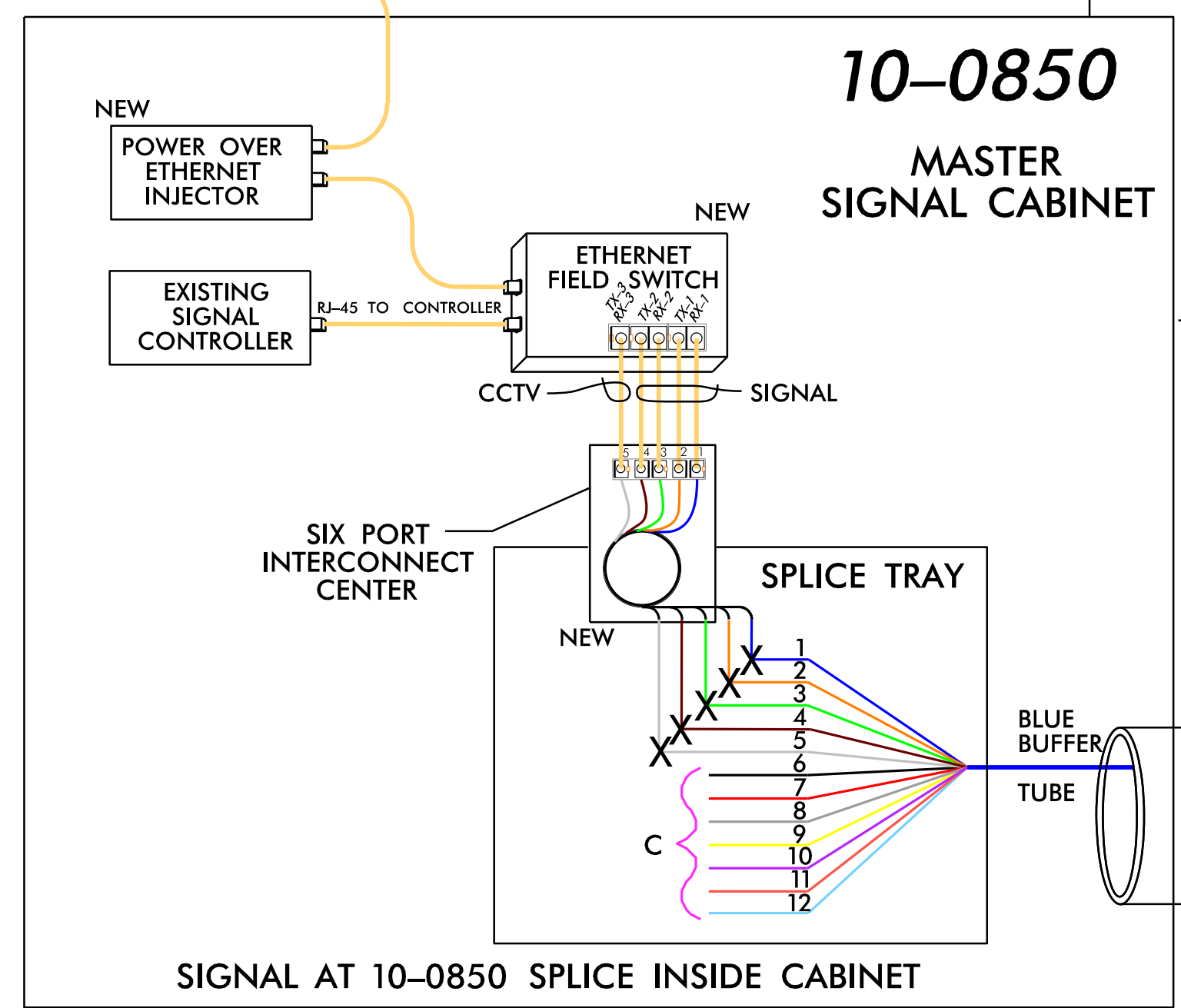
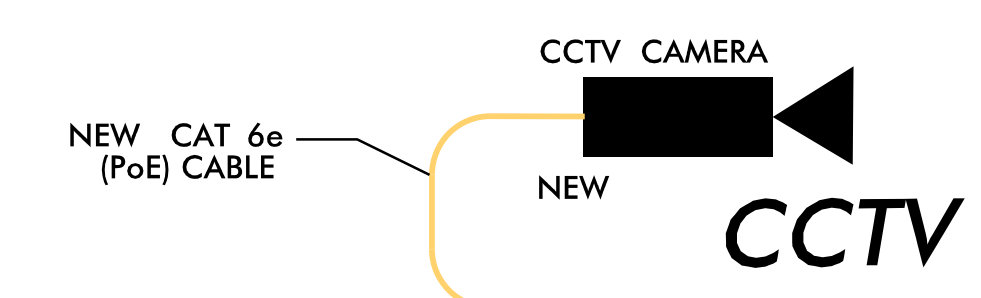
72 FIBER BACKBONE CABLE

SPARE CONDUIT

INCLUDE ON THE COVER OF EACH SPLICE TRAY THE FOLLOWING:
 REFERENCE SECTION 1731 "FIBER OPTIC SPLICE ENCLOSURE"
 1) SPLICE LOCATION
 2) DATE
 3) COMPANY NAME
 4) NAME OF INDIVIDUAL PERFORMING THE SPLICING
 PRIOR TO INSTALLING THE COVER ON THE SPLICE TRAY TAKE A DIGITAL PHOTOGRAPH SHOWING THE SPLICE TRAY AND INFORMATION SHOWN ABOVE (1-4) AND SUBMIT PHOTOGRAPH ALONG WITH OTDR TEST RESULTS.

12 FIBER DROP CABLE TO MT. HOLLY-HUNTERSVILLE RD. and CALLABRIDGE CT. TRAFFIC CONTROL BOX

12 FIBER DROP CABLE TO MT. HOLLY-HUNTERSVILLE RD. and ROZZELLES FERRY TRAFFIC CONTROL BOX



TMP Phase I (Final)

COLOR CODE TIA/EIA 598-A		LEGEND	
(1) BLUE	(7) RED	X = FUSION SPLICE	
(2) ORANGE	(8) BLACK	C = CAP IN TRAY	
(3) GREEN	(9) YELLOW	EXPRESS = EXPRESS ENTIRE BUFFER TUBE THROUGH WITHOUT CUTTING	
(4) BROWN	(10) VIOLET	REEL END SPLICE = SPLICE ALL FIBERS IN BUFFER TUBE	
(5) SLATE	(11) ROSE		
(6) WHITE	(12) AQUA		

- NOTES**
- UNUSED FIBER SHALL BE LEFT COILED AND STORED IN THE SPLICE TRAY.
 - UNUSED BUFFER TUBES SHALL BE LEFT COILED AND STORED IN THE SPLICE TRAY.
 - ETHERNET TERMINATION CONFIGURATIONS ARE GENERIC. THE CONTRACTOR SHALL BE RESPONSIBLE FOR DETERMINING AND ENSURING PROPER TERMINATION.

Stantec

Stantec Consulting Services Inc.
 801 Jones Franklin Road
 Suite 300
 Raleigh, NC 27606
 Tel. (919) 851-6866
 Fax. (919) 851-7024
 www.stantec.com
 License No. F-0672

Prepared in the Offices of:

750 N. Greenfield Pkwy., Garner, NC 27529

SCALE
N/A

FIBER OPTIC SPLICE DETAILS
 SPLICE No.3 and
 NEW CCTV-CAMERAS

DIV 10 MECKLENBURG CO. CHARLOTTE

PLAN DATE: 2017	REVIEWED BY: D. HARRIS
PREPARED BY: J. INGRAM	REVIEWED BY: B. WATSON

REVISIONS	INIT.	DATE

SEAL

DocuSigned by:
 Bethany L. Watson
 1/23/2018

CADD Filename: