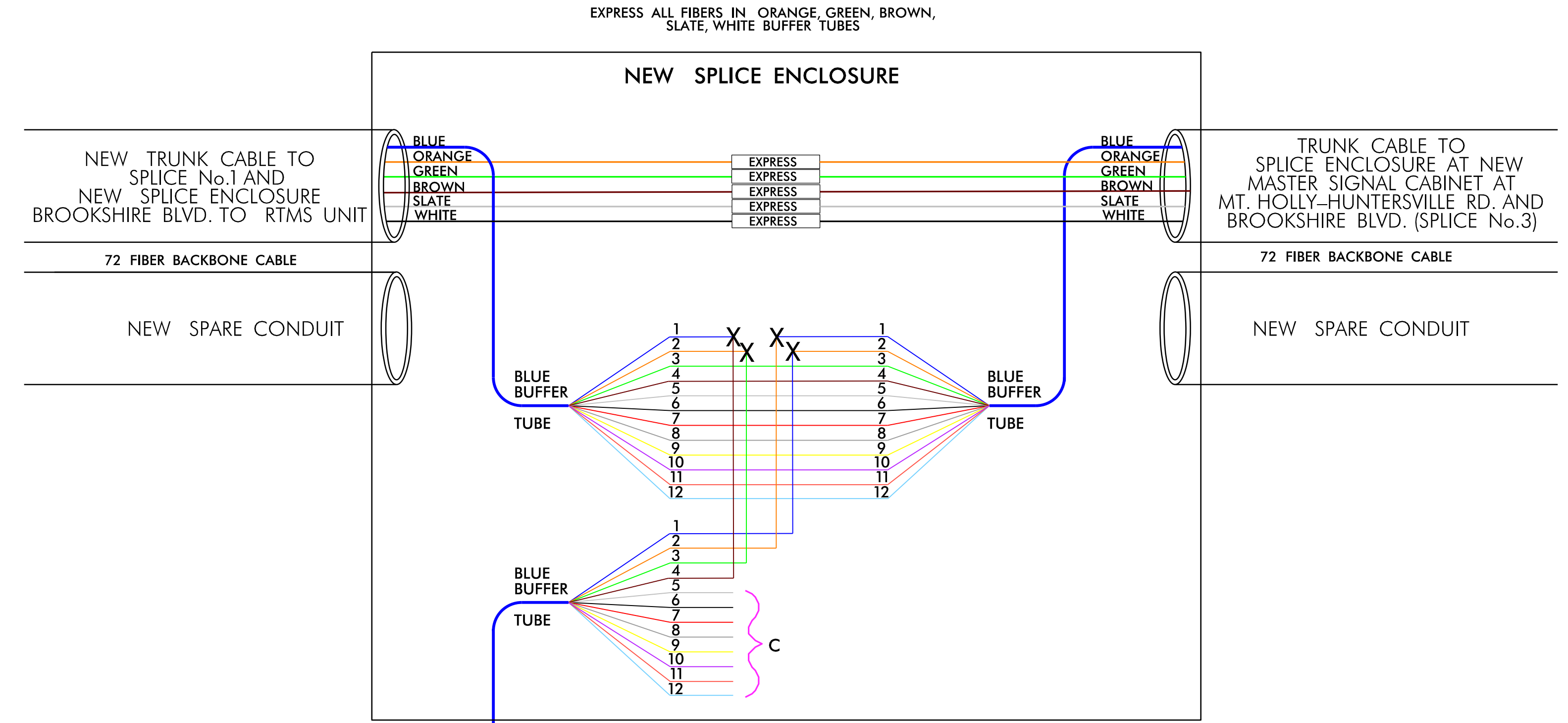
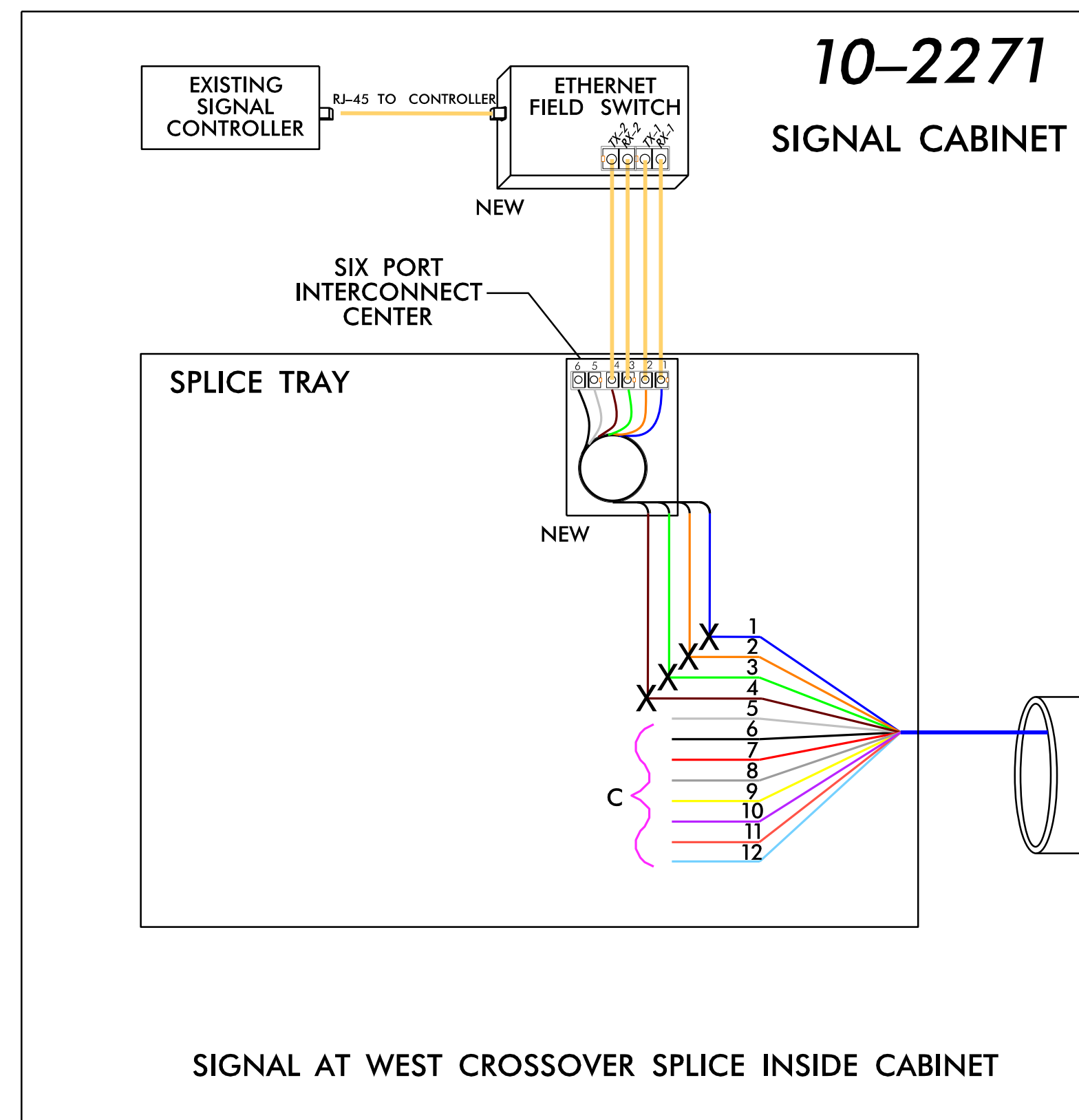


**SPLICE ENCLOSURE AT  
WESTBOUND CROSSOVER SIGNAL  
10-2271  
ON BROOKSHIRE BLVD.**

SPLICE No. 2



NEW 12F DROP CABLE  
FROM WEST CROSSOVER  
SIGNAL 10-2271  
12 FIBER DROP CABLE

**TMP Phase I(Final)**

INCLUDE ON THE COVER OF EACH SPLICE TRAY THE FOLLOWING:  
REFERENCE SECTION 1731 "FIBER OPTIC SPLICE ENCLOSURE"  
1) SPLICE LOCATION  
2) DATE  
3) COMPANY NAME  
4) NAME OF INDIVIDUAL PERFORMING THE SPLICING  
PRIOR TO INSTALLING THE COVER ON THE SPLICE TRAY TAKE A DIGITAL PHOTOGRAPH SHOWING THE SPLICE TRAY AND INFORMATION SHOWN ABOVE (1-4) AND SUBMIT PHOTOGRAPH ALONG WITH OTR TEST RESULTS.

**COLOR CODE**  
TIA/EIA 598-A

- |            |             |
|------------|-------------|
| (1) BLUE   | (7) RED     |
| (2) ORANGE | (8) BLACK   |
| (3) GREEN  | (9) YELLOW  |
| (4) BROWN  | (10) VIOLET |
| (5) SLATE  | (11) ROSE   |
| (6) WHITE  | (12) AQUA   |

**LEGEND**

- X = FUSION SPLICE  
C = CAP IN TRAY  
EXPRESS = EXPRESS ENTIRE BUFFER TUBE THROUGH WITHOUT CUTTING  
[REEL END SPLICE] = SPLICE ALL FIBERS IN BUFFER TUBE

**NOTES**

- UNUSED FIBER SHALL BE LEFT COILED AND STORED IN THE SPLICE TRAY.
- UNUSED BUFFER TUBES SHALL BE LEFT COILED AND STORED IN THE SPLICE TRAY.
- ETHERNET TERMINATION CONFIGURATIONS ARE GENERIC. THE CONTRACTOR SHALL BE RESPONSIBLE FOR DETERMINING AND ENSURING PROPER TERMINATION.

Stantec Consulting Services Inc.  
801 Jones Franklin Road  
Suite 300  
Raleigh, NC 27606  
Tel. (919) 851-6866  
Fax. (919) 851-7024  
www.stantec.com  
License No. F-0672

Prepared in the Offices of:

750 N. Greenfield Pkwy., Garner, NC 27529

<b>FIBER OPTIC SPLICE DETAILS</b> for 10-2271, SPLICE No.2			
PLAN DATE:	2017	REVIEWED BY:	D. HARRIS
PREPARED BY:	J. INGRAM	REVIEWED BY:	B. WATSON
SCALE:	N/A	REVISIONS:	INIT. DATE

SEAL

DocuSigned by:  
*Betsy L. Watson* 1/23/2018

CADD Filename: