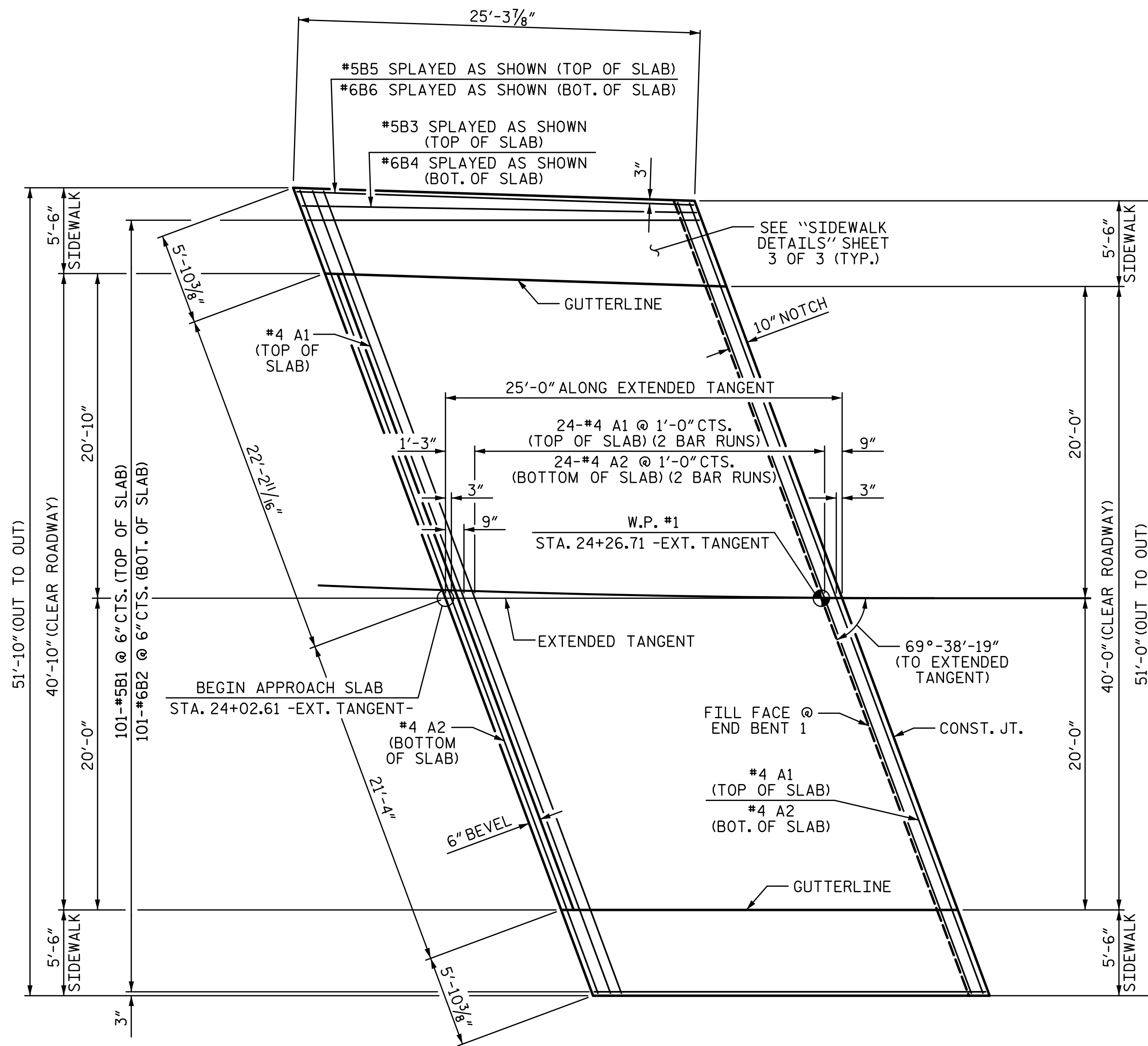
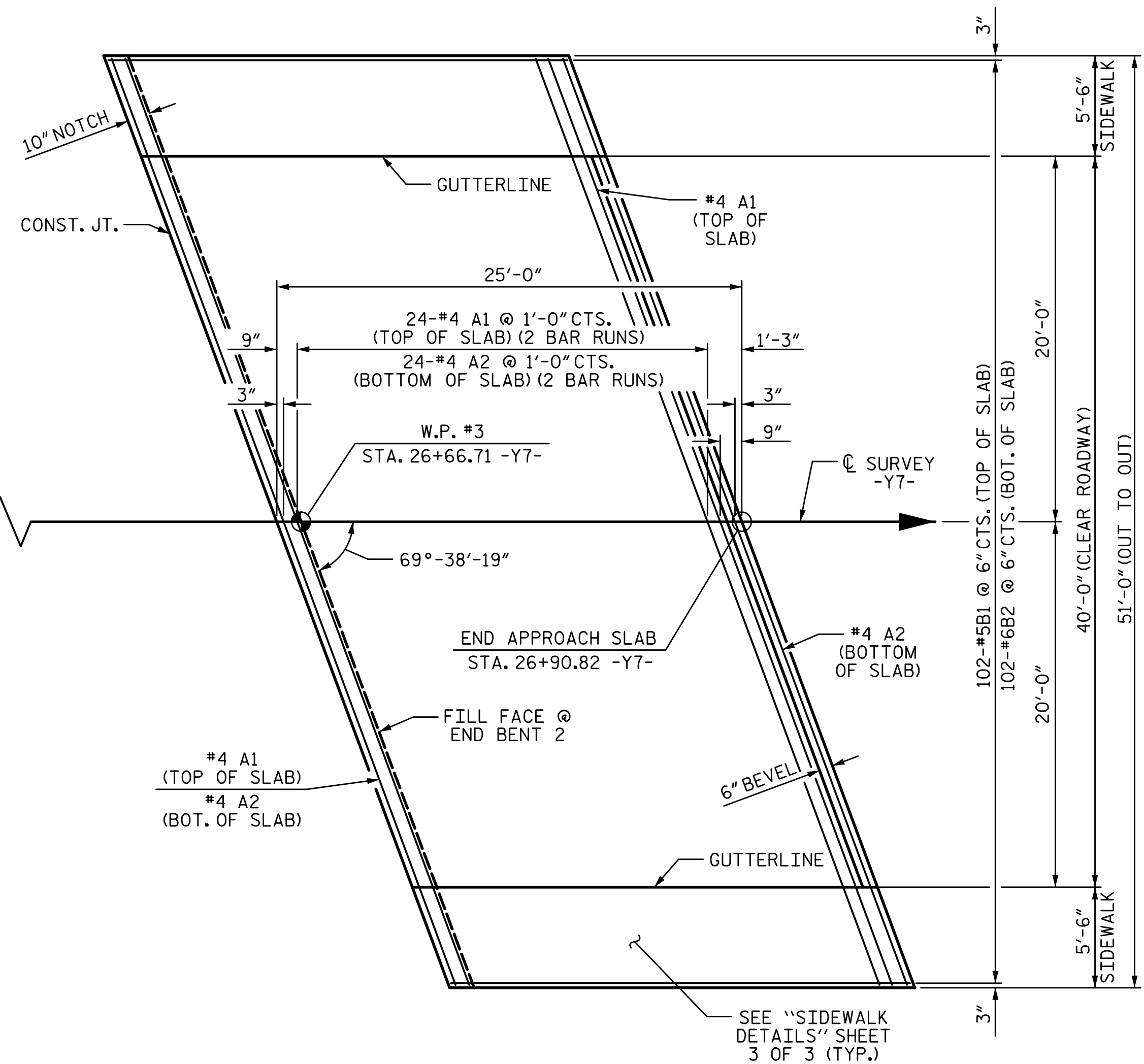


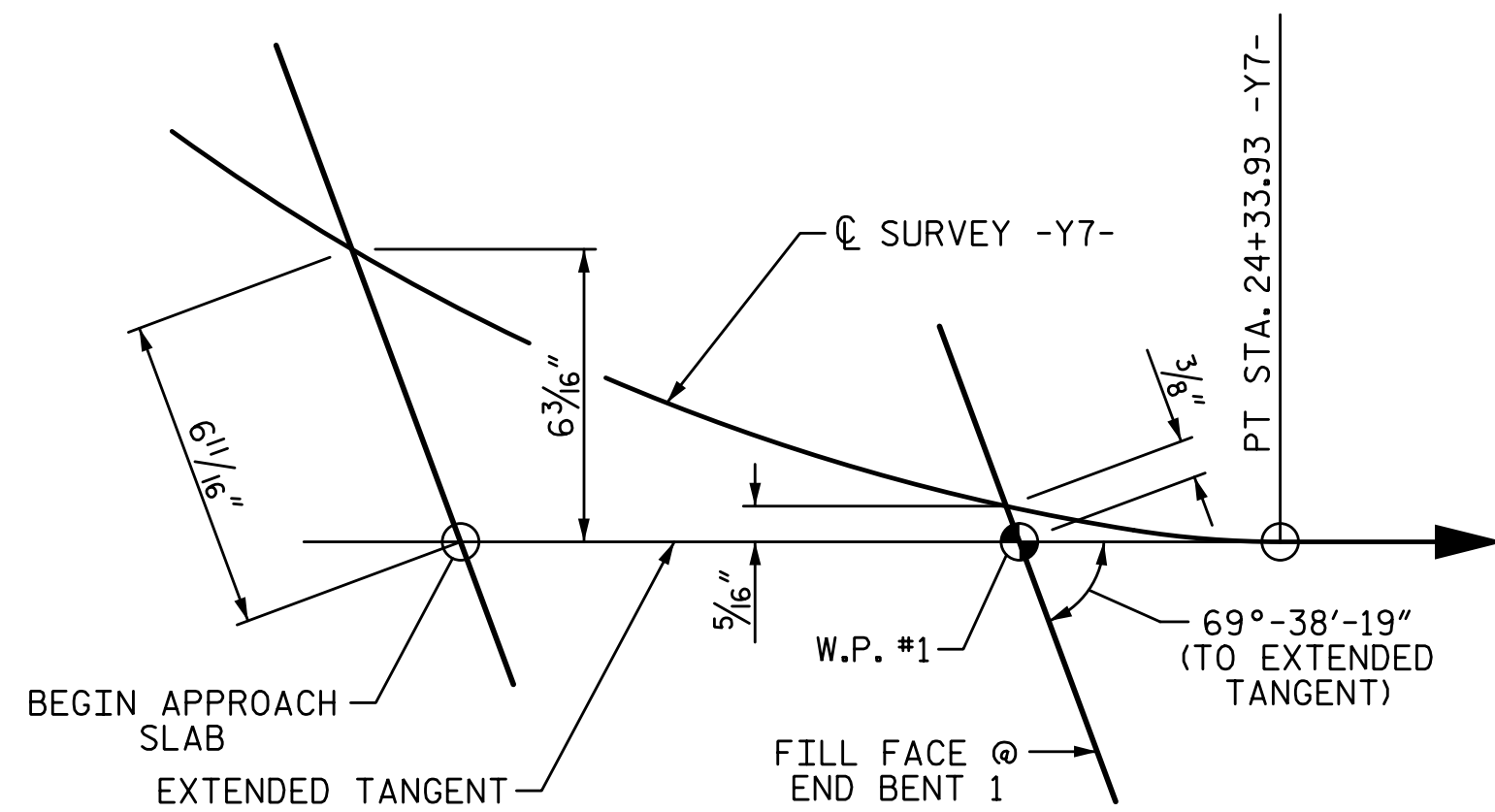
12/20/2017 3:18:26 PM G:\Projects\2016\U-2525C (Greensboro Eastern Loop)\Structures\Site 9\Drawings\Final\U2525C\_SMU\_AS\_SITE9.dgn



PLAN @ END BENT 1



PLAN @ END BENT 2



EXTENDED TANGENT DETAIL

PROJECT NO. U-2525C  
GUILFORD COUNTY  
 STATION: 25+52.71 -Y7-

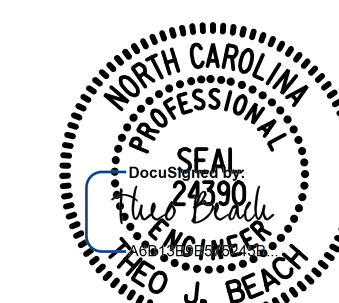
SHEET 1 OF 4

STATE OF NORTH CAROLINA  
 DEPARTMENT OF TRANSPORTATION  
 RALEIGH

BRIDGE APPROACH SLAB  
 FOR INTEGRAL  
 END BENT

PLANS PREPARED BY:

**SEA & A**  
 SIMPSON  
 ENGINEERS  
 ASSOCIATES  
 5640 Dillard Drive  
 Suite 200  
 Cary, NC 27518  
 (919) 852-0468  
 (919) 852-0538 (Fax)  
 www.simpsonengr.com  
 LICENSURE NO. C-2521



12/20/2017

REVISIONS

NO.	BY:	DATE:	NO.	BY:	DATE:
1			3		
2			4		

SHEET NO.  
 S10-34  
 TOTAL SHEETS  
 36

DRAWN BY: S.D. COOPER DATE: 12-17  
 CHECKED BY: T.J. BEACH DATE: 12-17  
 DESIGN ENGINEER OF RECORD: T.J. BEACH DATE: 12-17

DOCUMENT NOT CONSIDERED FINAL  
 UNLESS ALL SIGNATURES COMPLETED