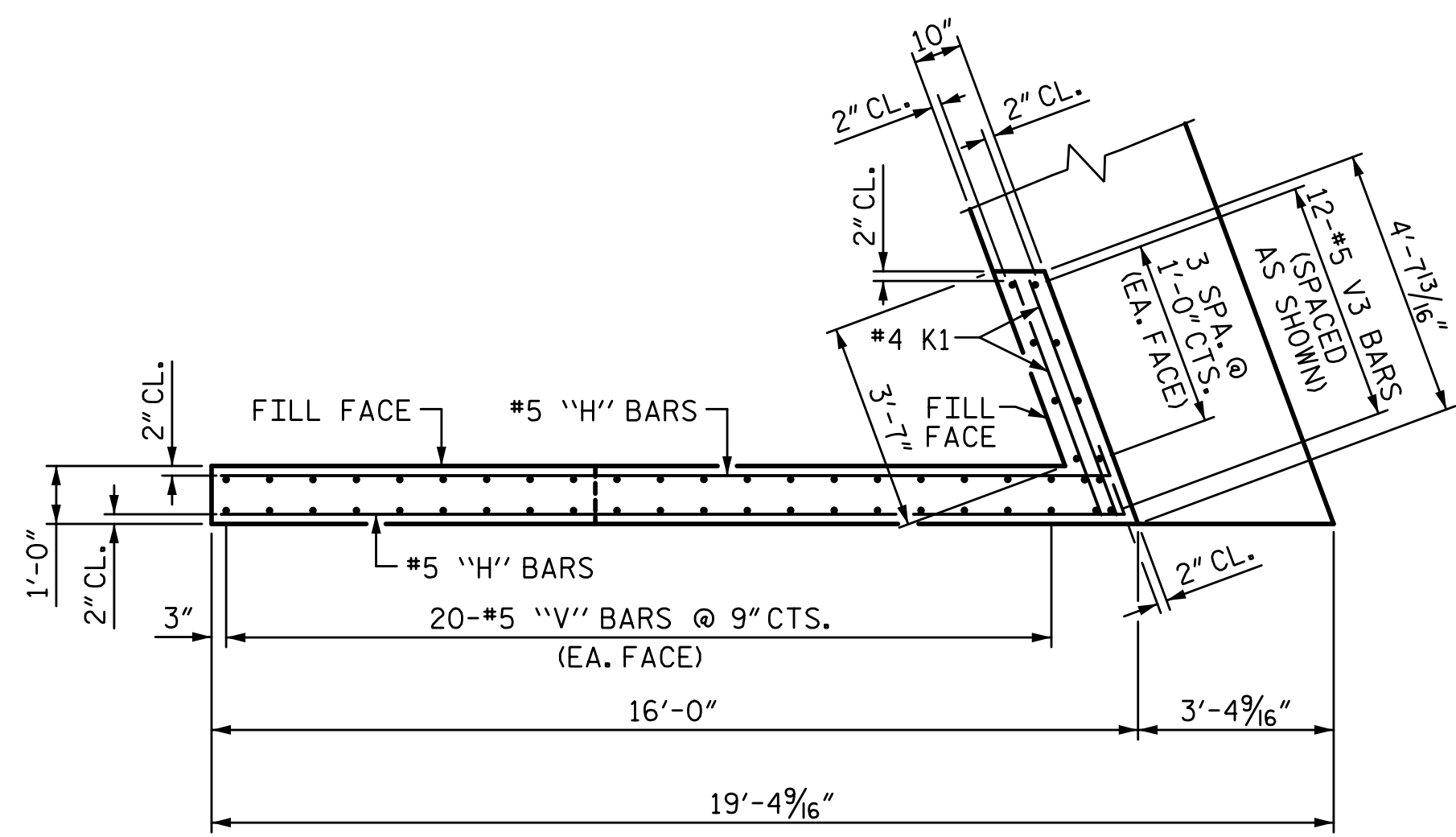
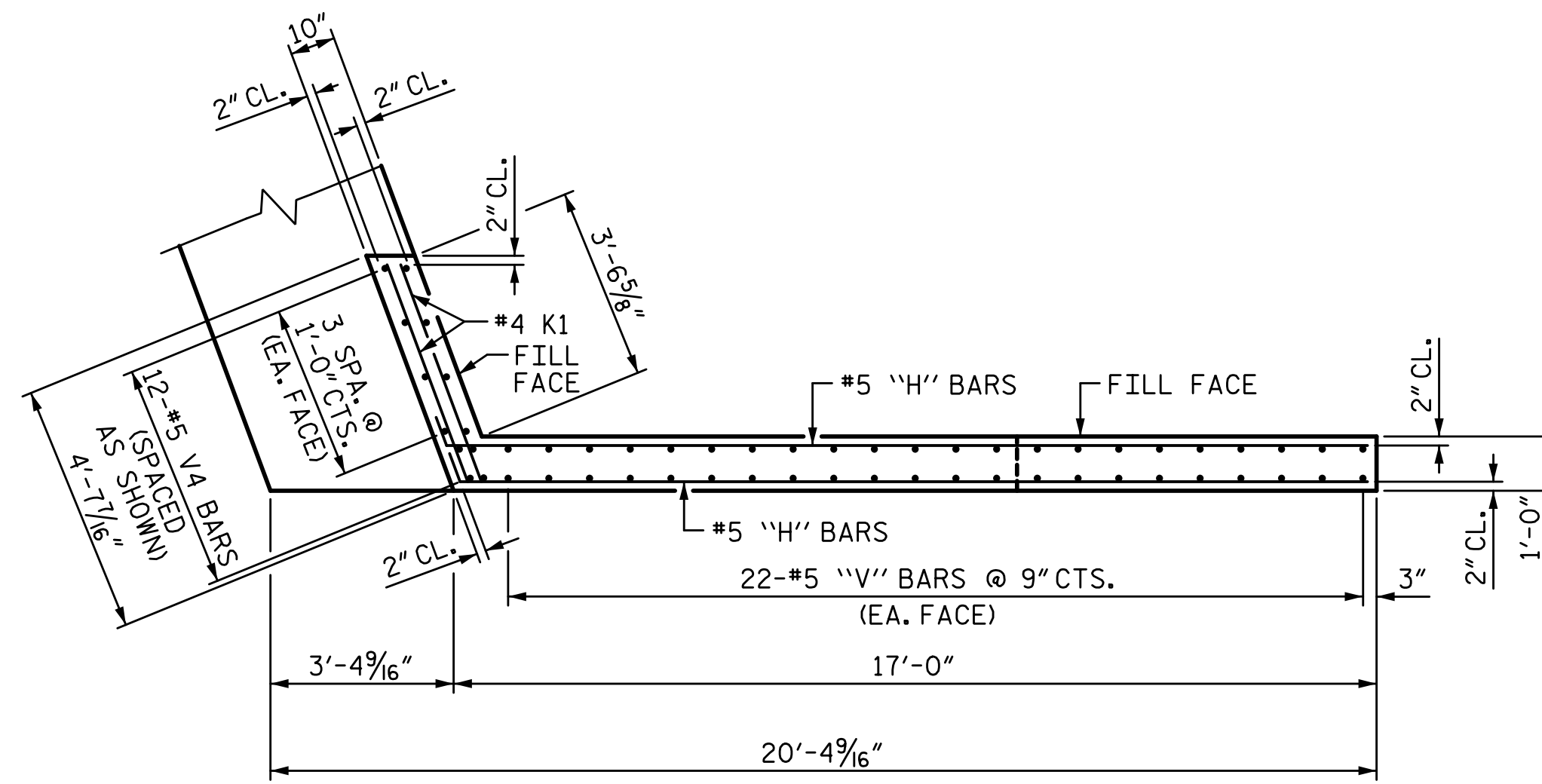


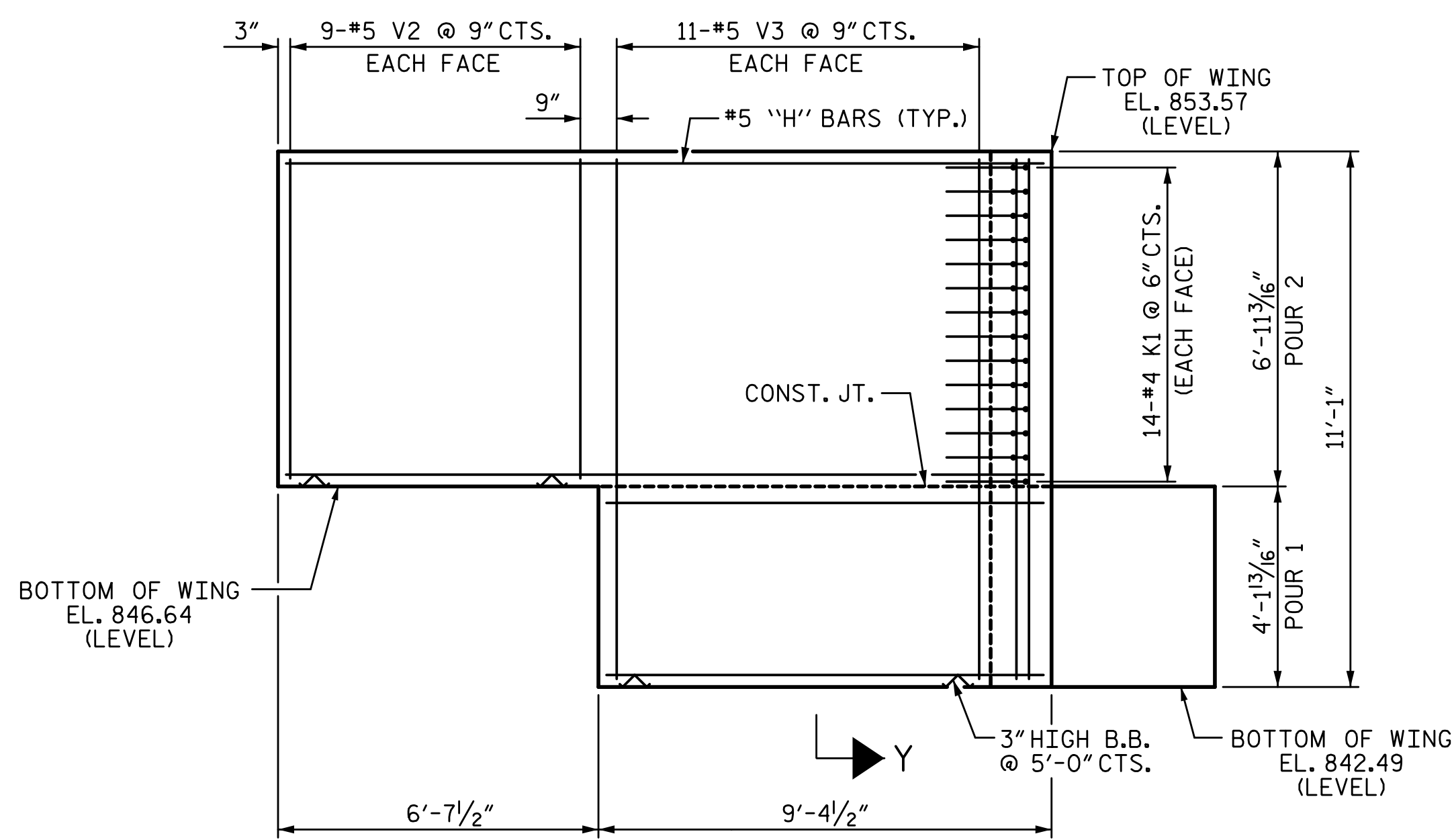
5/24/2017 1:05:31 PM G:\Projects\2016\U-2525C (Greensboro Eastern Loop)\Structures\Site 9\Drawings\Final\U2525C_SMU_EB2_SITE9.dgn



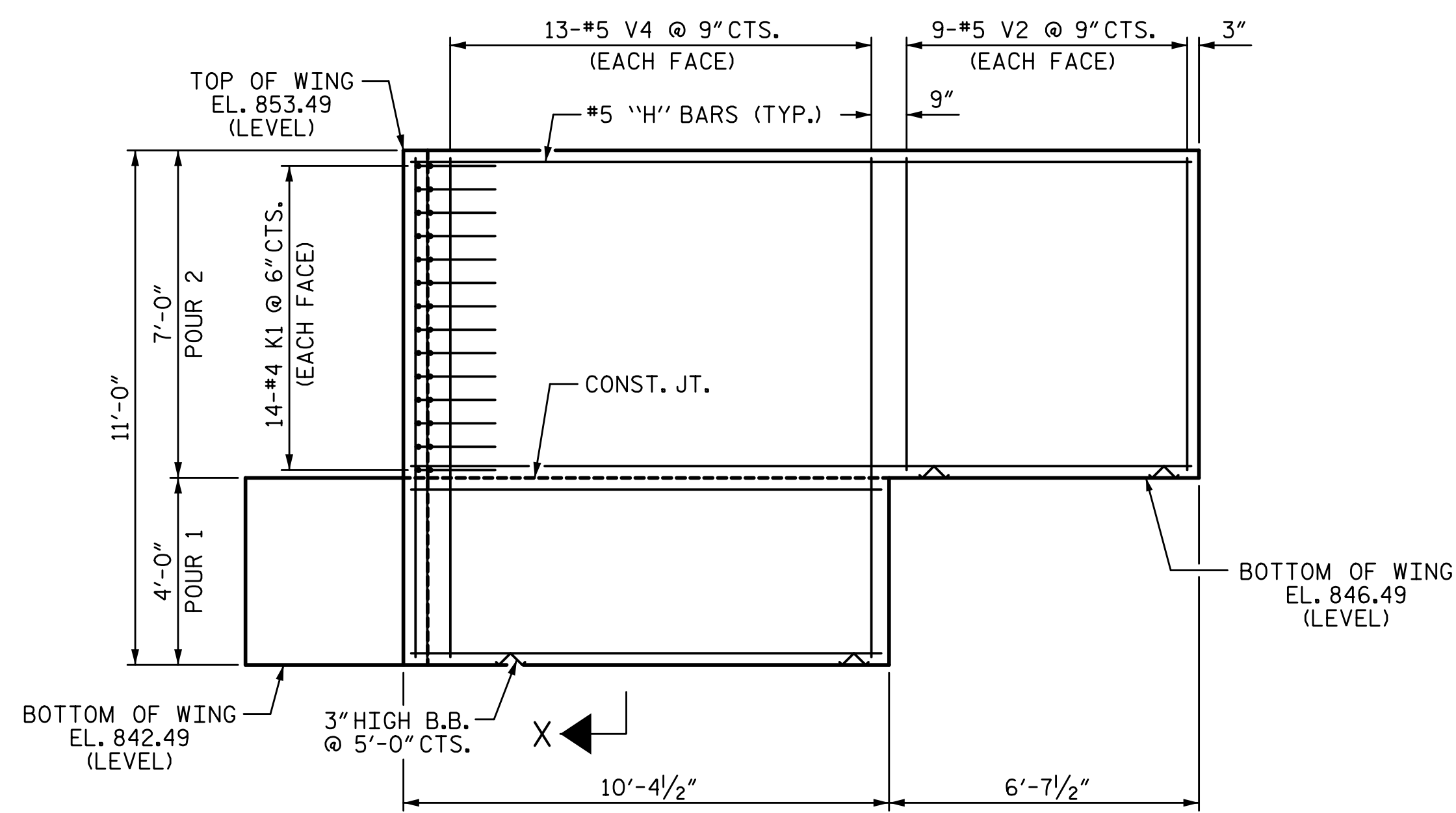
PLAN OF WING (W2)



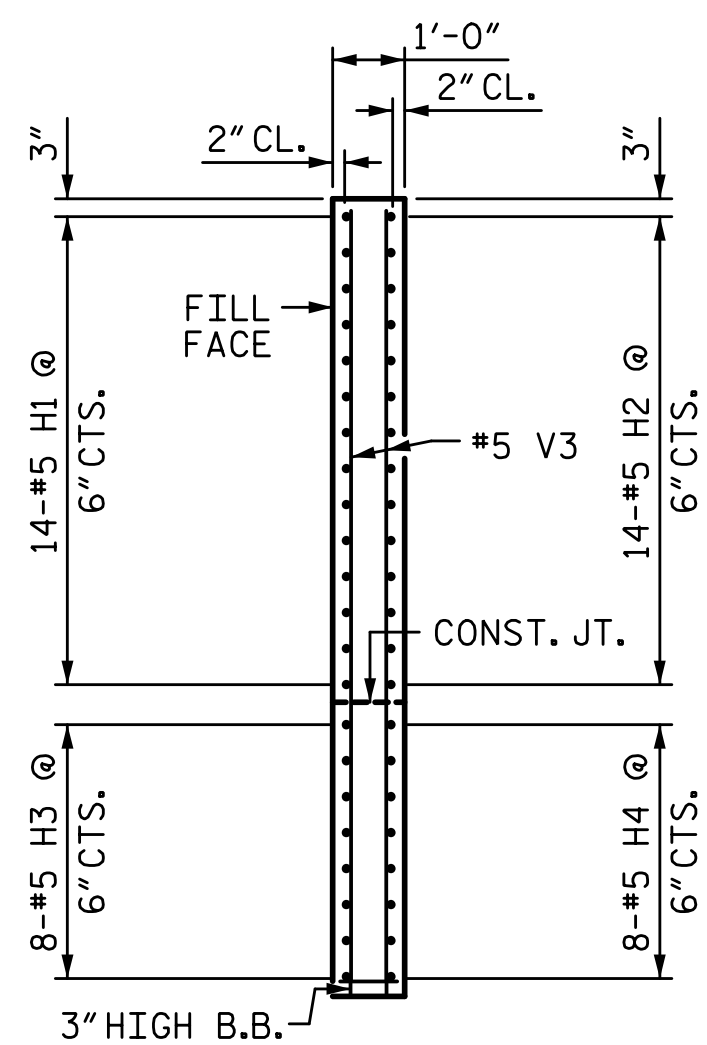
PLAN OF WING (W1)



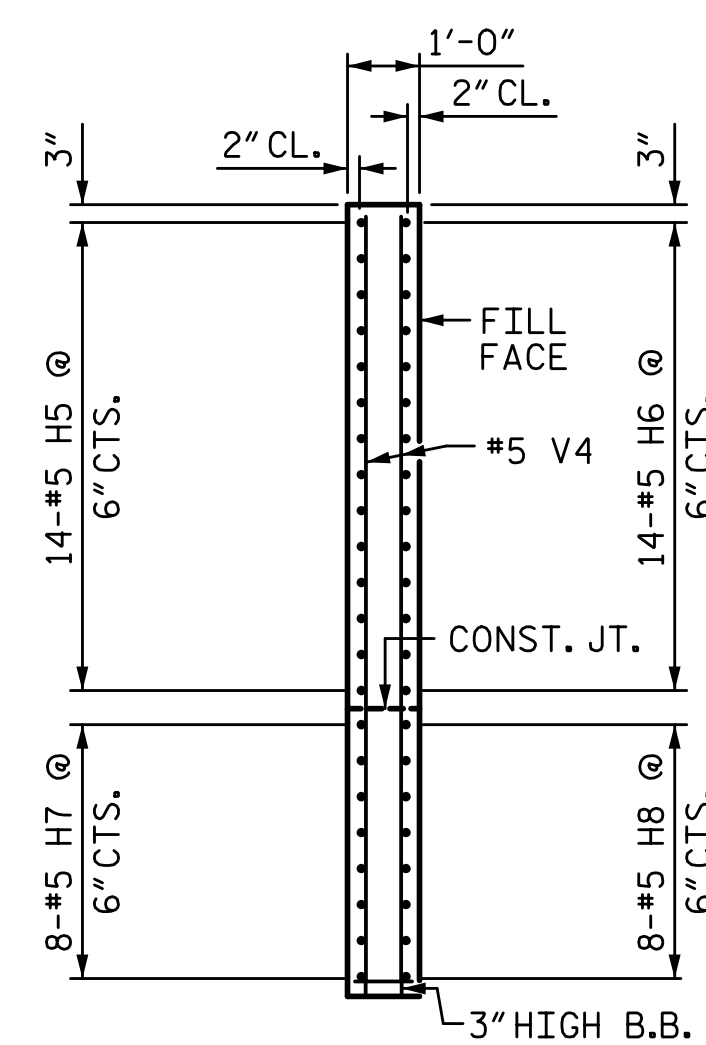
ELEVATION OF WING (W2)



ELEVATION OF WING (W1)



SECTION Y-Y



SECTION X-X

PROJECT NO. U-2525C
GUILFORD COUNTY
 STATION: 25+52.71 -Y7-

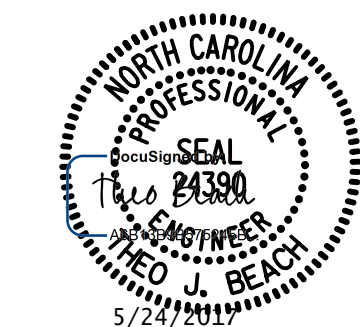
SHEET 2 OF 3

STATE OF NORTH CAROLINA
 DEPARTMENT OF TRANSPORTATION
 RALEIGH
 SUBSTRUCTURE

END BENT 2

PLANS PREPARED BY:

S&E
 IMPSON
 ENGINEERS
 & ASSOCIATES
 5640 Dillard Drive
 Suite 200
 Cary, NC 27518
 (919) 852-0468
 (919) 852-0598 (Fax)
 www.slmpsonengr.com
 LICENSURE NO. C-2521



REVISIONS

NO.	BY:	DATE:	NO.	BY:	DATE:
1			3		
2			4		

SHEET NO.
S10-30
TOTAL SHEETS
36

DOCUMENT NOT CONSIDERED FINAL
 UNLESS ALL SIGNATURES COMPLETED

DRAWN BY: S.D. COOPER DATE: 3-17
 CHECKED BY: T.J. BEACH DATE: 3-17
 DESIGN ENGINEER OF RECORD: T.J. BEACH DATE: 3-17