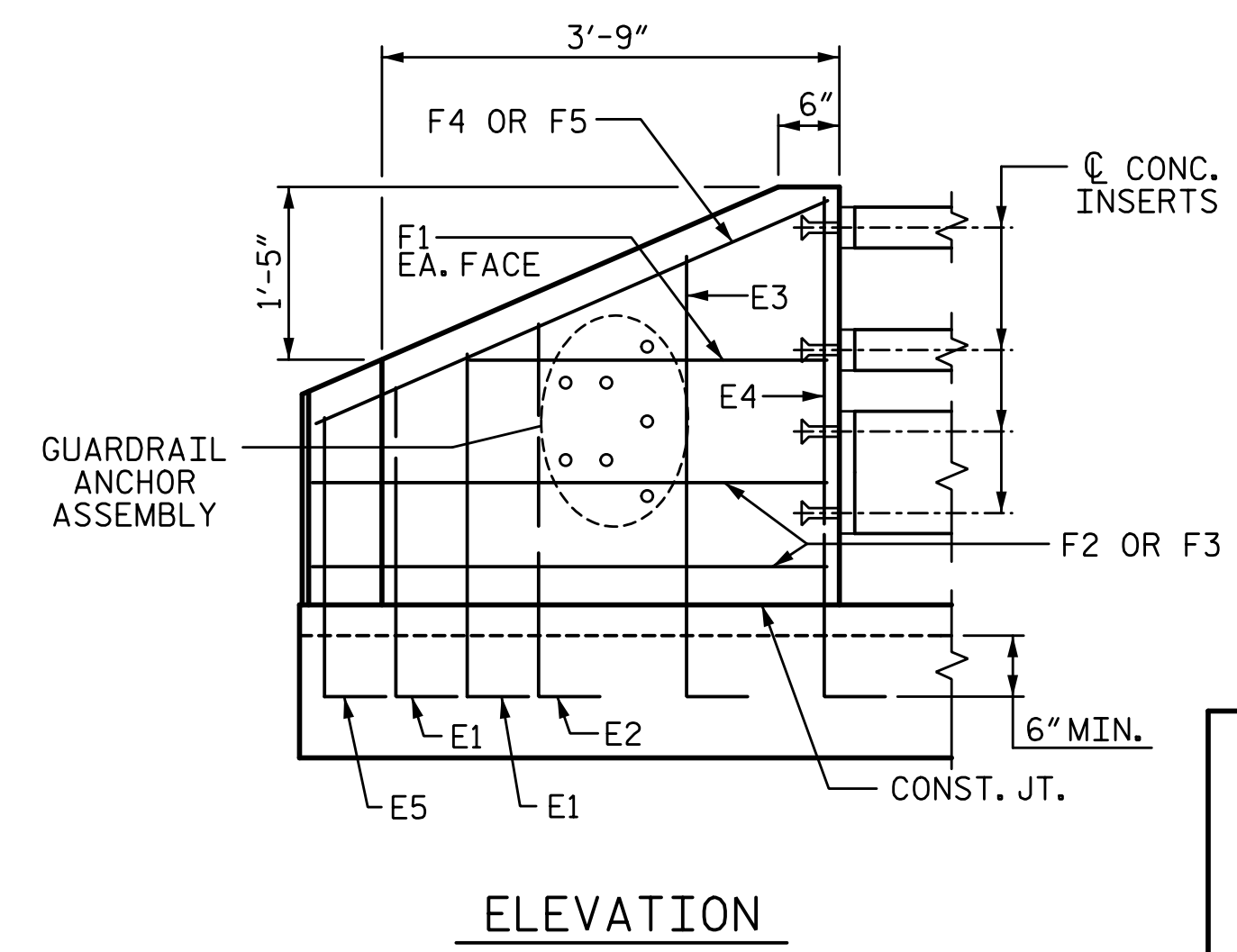
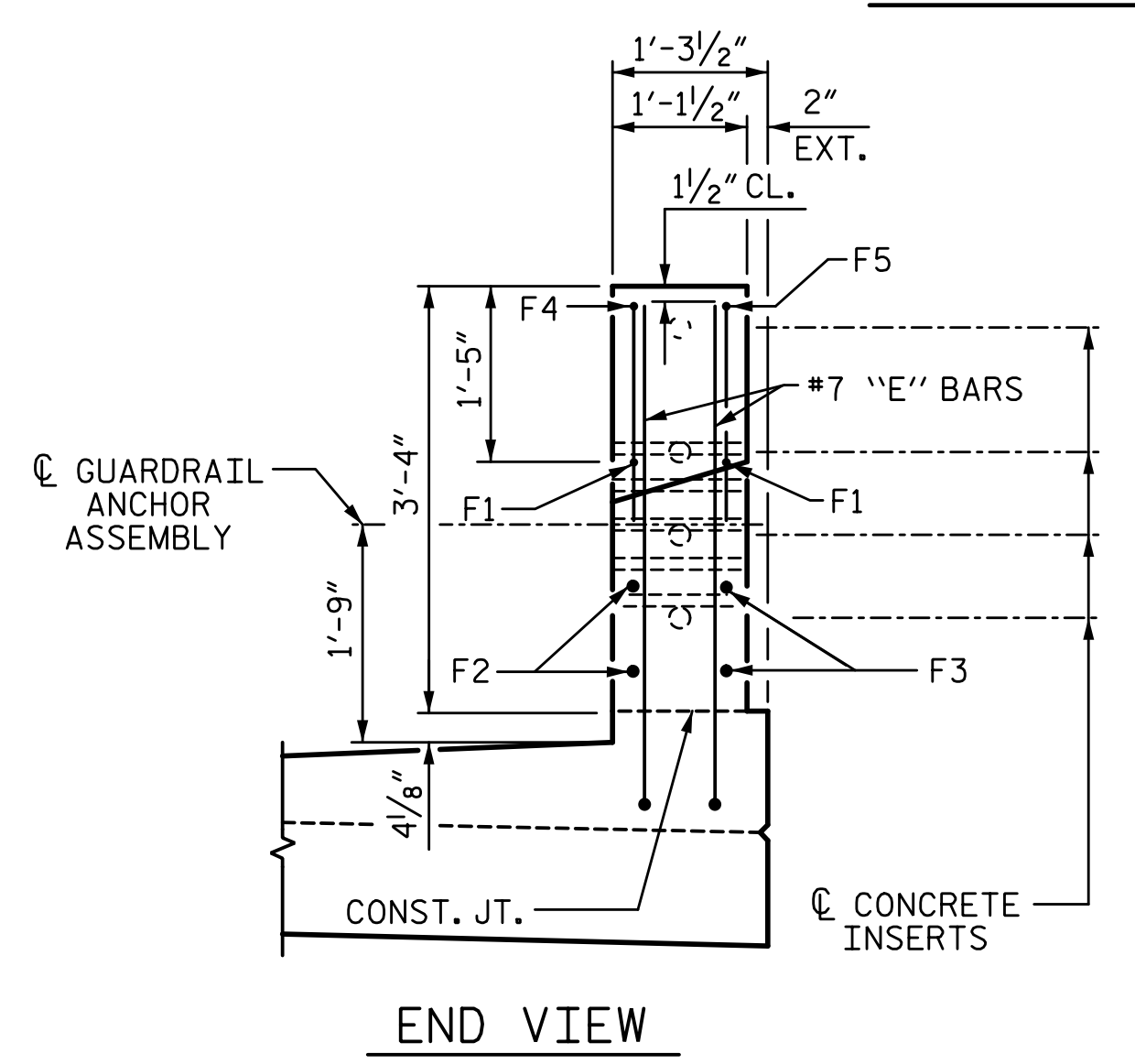
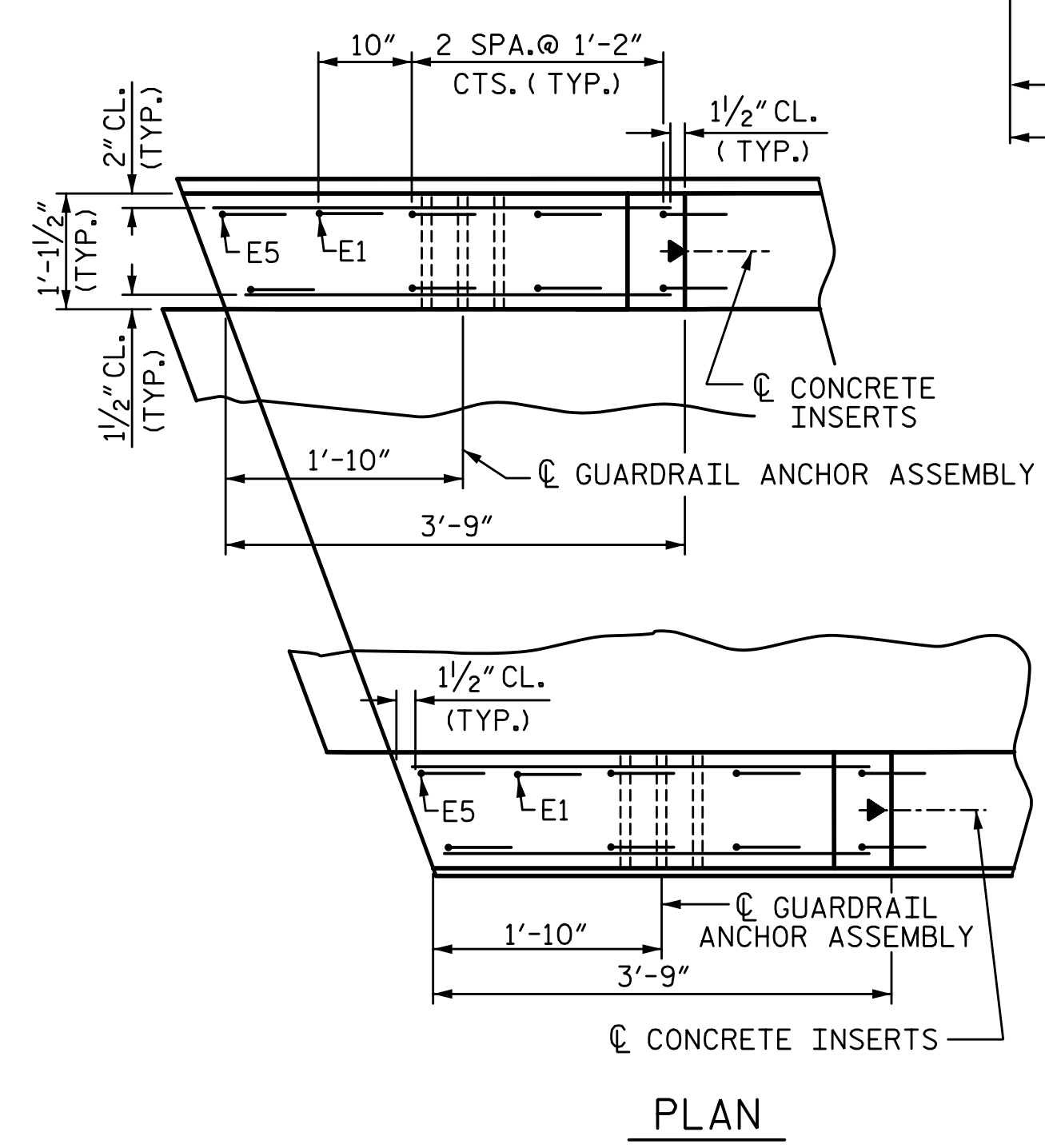
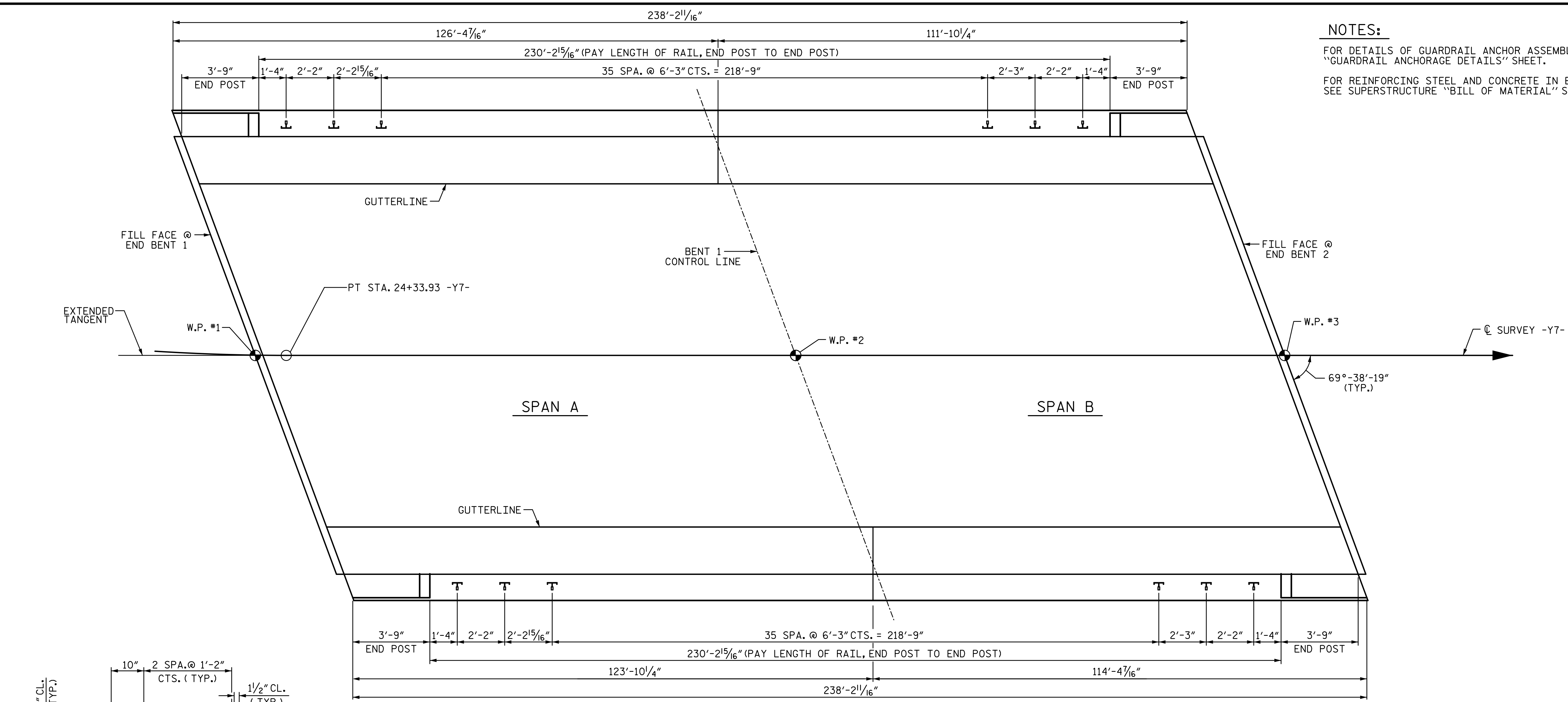


1/9/2018 1:44:46 PM G:\Projects\2016\U-2525C (Greensboro Eastern Loop)\Structures\Site 9\Drawings\Final\U2525C\_SMU\_BR\_SITE9.dgn

**NOTES:**  
 FOR DETAILS OF GUARDRAIL ANCHOR ASSEMBLIES, SEE "GUARDRAIL ANCHORAGE DETAILS" SHEET.  
 FOR REINFORCING STEEL AND CONCRETE IN END POSTS, SEE SUPERSTRUCTURE "BILL OF MATERIAL" SHEET.



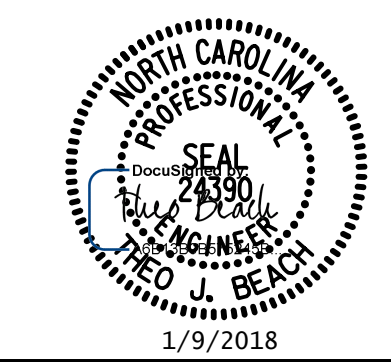
**END POST FOR THREE BAR METAL RAIL**  
 (END BENT 1 SHOWN, END BENT 2 SIMILAR)

PROJECT NO. U-2525C  
GUILFORD COUNTY  
 STATION: 25+52.71 -Y7-

STATE OF NORTH CAROLINA  
 DEPARTMENT OF TRANSPORTATION  
 RALEIGH  
 SUPERSTRUCTURE  
**END POST DETAILS**  
 (3 BAR METAL RAIL)

DRAWN BY: S.D. COOPER DATE: 12-17  
 CHECKED BY: T.J. BEACH DATE: 12-17  
 DESIGN ENGINEER OF RECORD: T.J. BEACH DATE: 12-17

PLANS PREPARED BY:  
**SIMPSON ENGINEERS & ASSOCIATES**  
 5640 Dillard Drive  
 Suite 200  
 Cary, NC 27518  
 (919) 852-0468  
 (919) 852-0538 (Fax)  
 www.simpsonengr.com  
 LICENSURE NO. C-2521



REVISIONS						SHEET NO.
NO.	BY:	DATE:	NO.	BY:	DATE:	S10-20
1			3			TOTAL SHEETS
2			4			36

**DOCUMENT NOT CONSIDERED FINAL UNLESS ALL SIGNATURES COMPLETED**