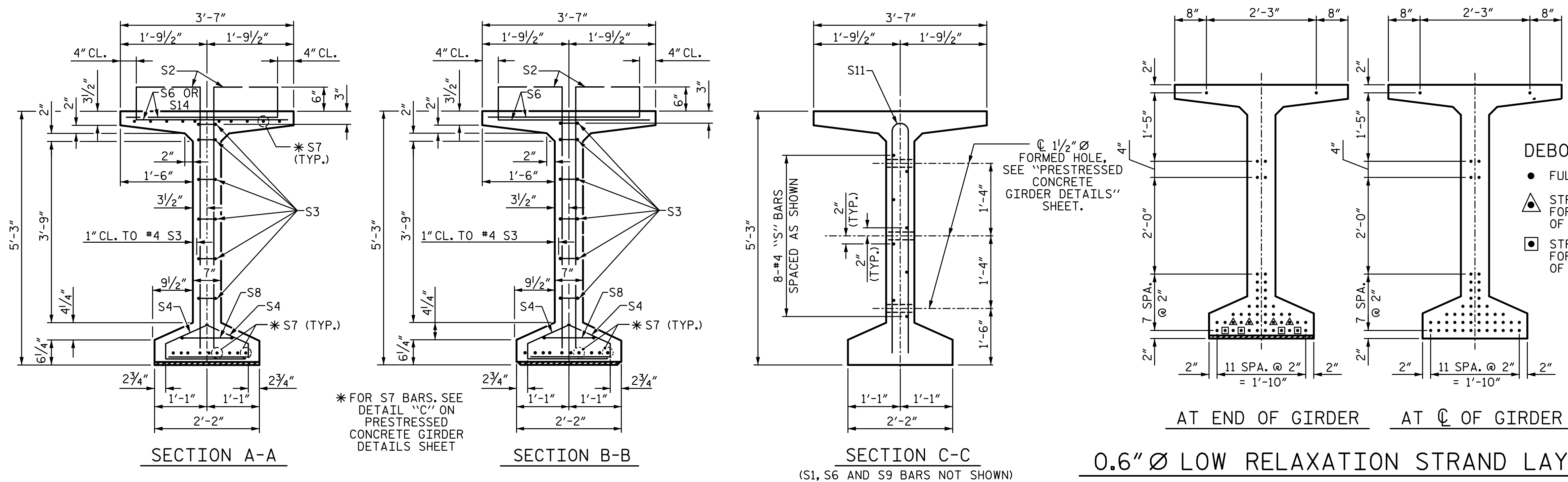


5/24/2017 1:49:09 PM G:\Projects\2016\U-2525C (Greensboro Eastern Loop)\Structures\Site 9\Drawings\Final\U2525C_SMU_PCG_SITE9.dgn

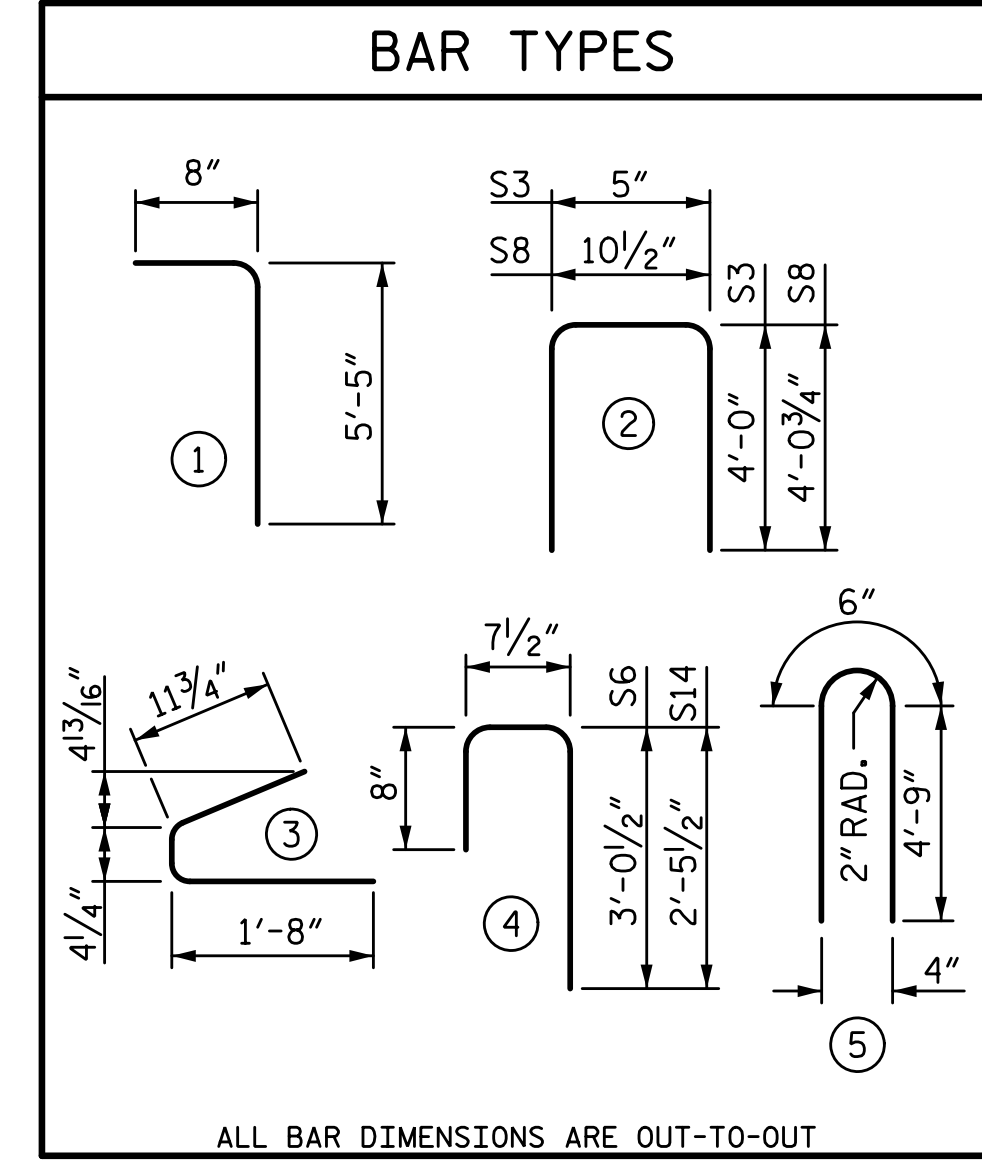
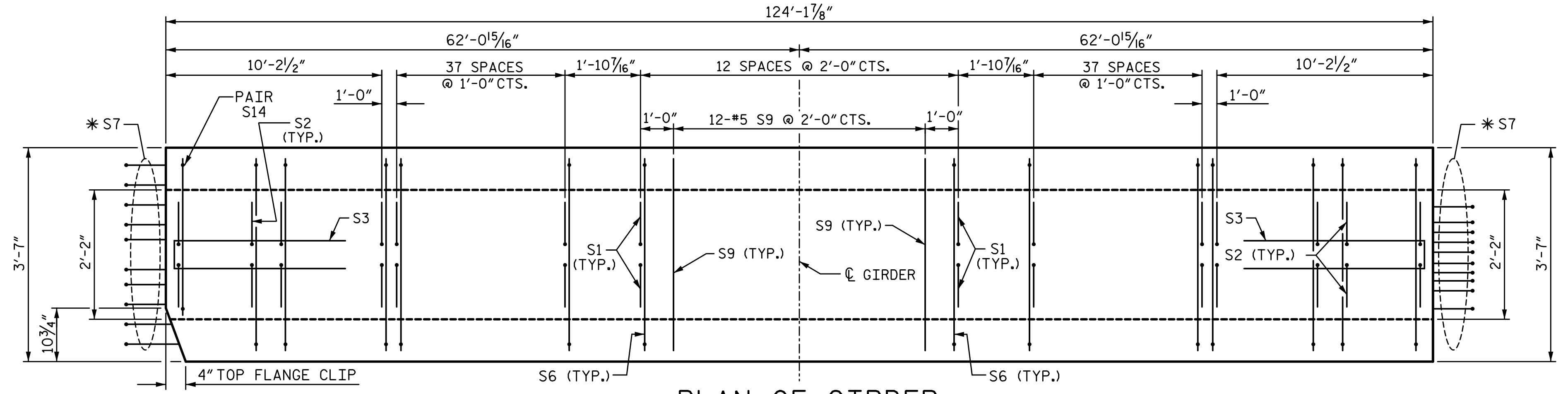


0.6" Ø L. R. GRADE 270 STRANDS		
AREA (SQ. INCHES)	ULTIMATE STRENGTH (LBS. PER STRAND)	APPLIED PRESTRESS (LBS. PER STRAND)
0.217	58,600	43,950

REINFORCING STEEL FOR ONE GIRDER						
BAR	NO.	SIZE	TYPE	LENGTH	WEIGHT	
S1	234	#4	1	6'-1"	951	
S2	40	#5	1	6'-1"	254	
S3	12	#4	2	8'-5"	67	
S4	96	#4	3	3'-0"	192	
S6	272	#5	4	4'-4"	1229	
*S7	30	#5	STR	3'-8"	115	
S8	2	#5	2	9'-0"	19	
S9	12	#5	STR	3'-3"	41	
S10	2	#3	STR	1'-10"	1	
S11	8	#5	5	10'-0"	83	
EXTERIOR GDR.	S11	16	#5	5	10'-0"	167
EXTERIOR GDR.	S12	16	#4	STR	8'-0"	86
INTERIOR GDR.	S13	16	#4	STR	11'-6"	123
S14	2	#5	4	3'-9"	8	

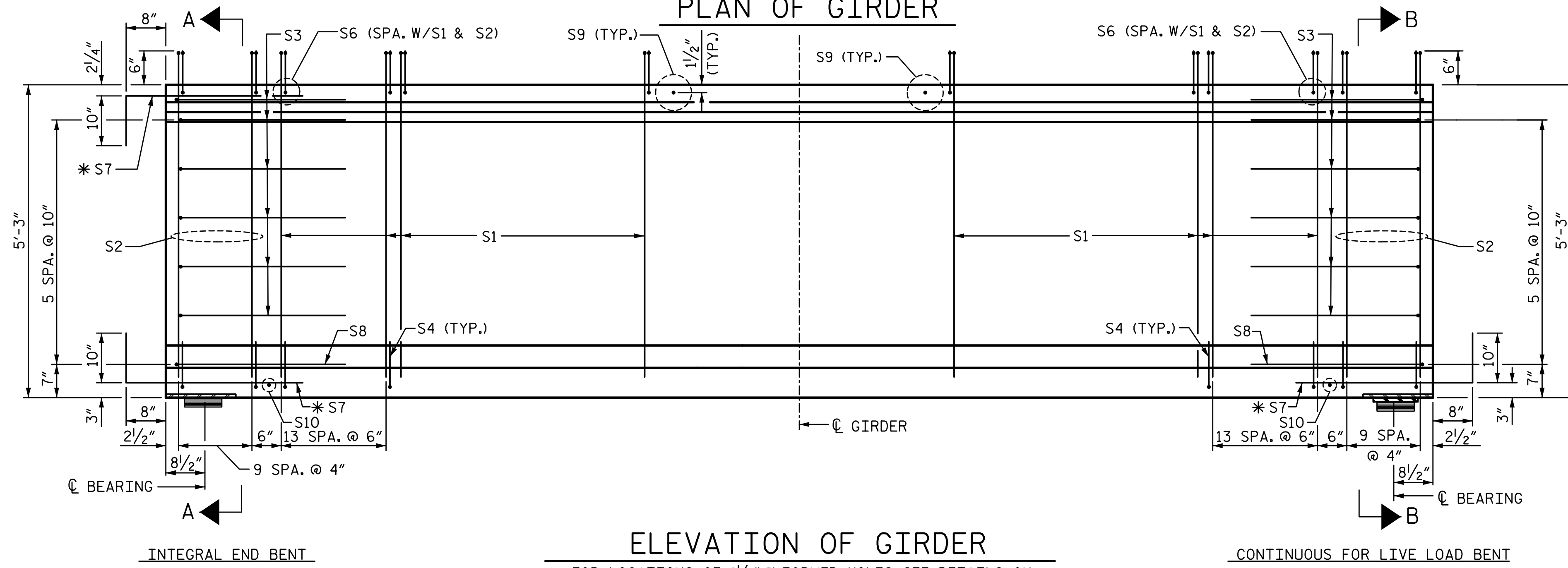
* NOTE: S7 BARS SHALL BE BENT BEFORE SHIPMENT. HEAT BENDING SHALL NOT BE ALLOWED.

NOTE: FOR LOCATIONS OF S11-S13 BARS SEE "PARTIAL ELEVATIONS" ON "PRESTRESSED CONCRETE GIRDER DETAILS" SHEET.



QUANTITIES FOR ONE GIRDER			
	REINFORCING STEEL (LB.)	10,000 PSI CONCRETE (C.Y.)	0.6" Ø L. R. STRANDS (No.)
EXTERIOR GIRDER	3046	24.6	50
INTERIOR GIRDER	3167	24.6	50

GIRDERS REQUIRED		
NUMBER	LENGTH	TOTAL LENGTH
6	124'-1 1/8"	744.94'



FOR LOCATIONS OF 1/2" Ø FORMED HOLES, SEE DETAILS ON "PRESTRESSED CONCRETE GIRDER DETAILS" SHEET.

PLANS PREPARED BY:
SIMPSON ENGINEERS & ASSOCIATES
 5640 Dillard Drive
 Suite 200
 Cary, NC 27518
 (919) 852-0468
 (919) 852-0538 (Fax)
 www.simpsonengr.com
 LICENSURE NO. C-2521



PROJECT NO. U-2525C
GUILFORD COUNTY
 STATION: 25+52.71 -Y7-
 SHEET 1 OF 3

STATE OF NORTH CAROLINA
 DEPARTMENT OF TRANSPORTATION
 RALEIGH
 SUPERSTRUCTURE
**63" PRESTRESSED CONCRETE
 MODIFIED BULB TEE
 CONTINUOUS FOR LIVE LOAD**
 SPAN A

REVISIONS						SHEET NO. S10-10 TOTAL SHEETS 36
NO.	BY:	DATE:	NO.	BY:	DATE:	
1			3			
2			4			

DRAWN BY: S.D. COOPER	DATE: 3-17
CHECKED BY: T.J. BEACH	DATE: 3-17
DESIGN ENGINEER OF RECORD: T.J. BEACH	DATE: 3-17

**DOCUMENT NOT CONSIDERED FINAL
 UNLESS ALL SIGNATURES COMPLETED**