

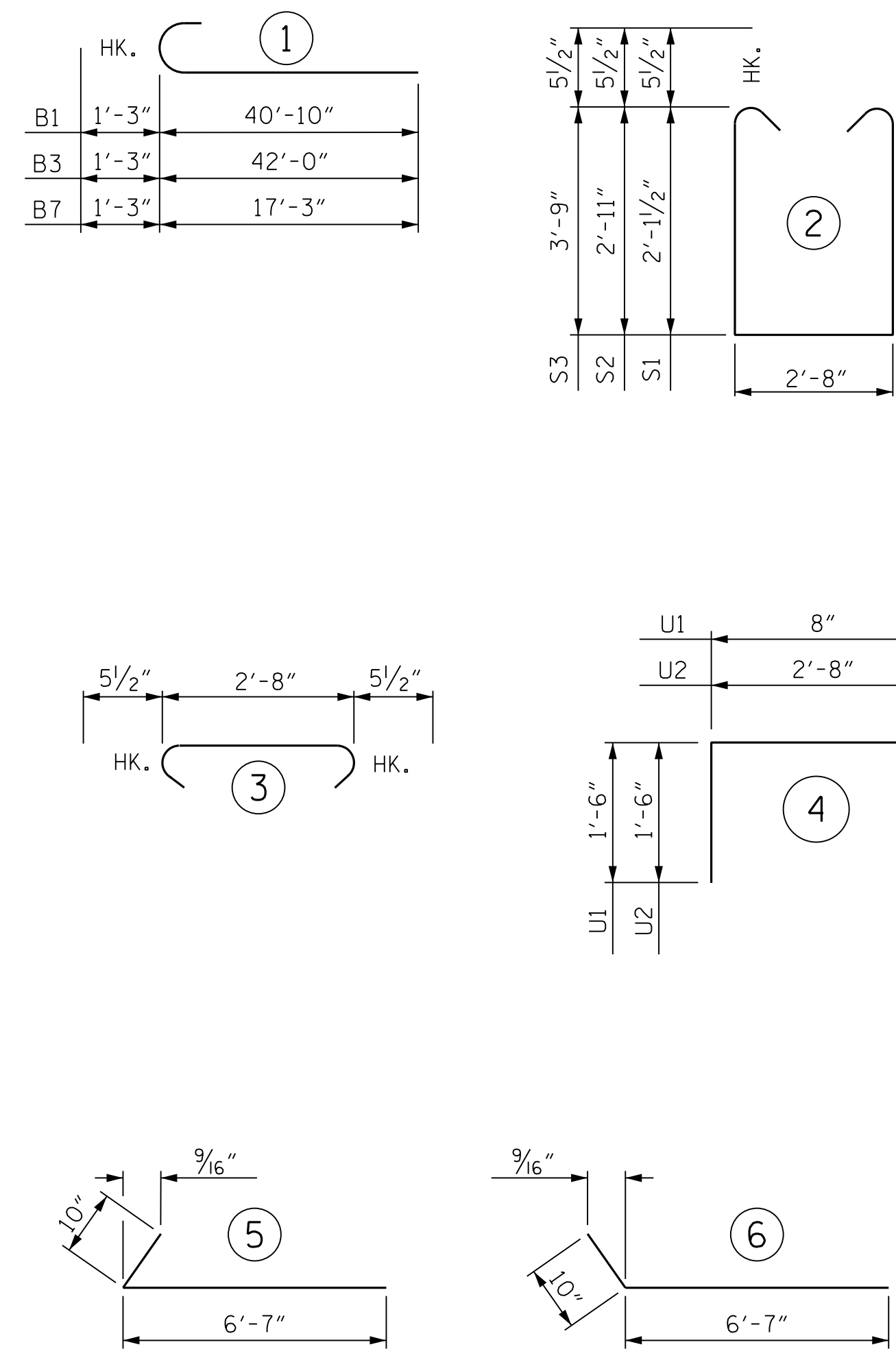
BAGGED STONE AND PIPE SHALL BE PLACED IMMEDIATELY AFTER COMPLETION OF END BENT EXCAVATION. PIPE MAY BE EITHER CONCRETE, CORRUGATED STEEL, CORRUGATED ALUMINUM ALLOY, OR CORRUGATED PLASTIC. PERFORATED PIPE WILL NOT BE ALLOWED.

BAGGED STONE SHALL REMAIN IN PLACE UNTIL THE ENGINEER DIRECTS THAT IT BE REMOVED. THE CONTRACTOR SHALL REMOVE AND DISPOSE OF SILT ACCUMULATIONS AT BAGGED STONE WHEN SO DIRECTED BY THE ENGINEER. BAGS SHALL BE REMOVED AND REPLACED WHENEVER THE ENGINEER DETERMINES THAT THEY HAVE DETERIORATED AND LOST THEIR EFFECTIVENESS.

NO SEPARATE PAYMENT WILL BE MADE FOR THIS WORK AND THE ENTIRE COST OF THIS WORK SHALL BE INCLUDED IN THE UNIT CONTRACT PRICE BID FOR THE SEVERAL PAY ITEMS.

TEMPORARY DRAINAGE AT END BENT

BAR TYPES



ALL BAR DIMENSIONS ARE OUT TO OUT

BILL OF MATERIAL

BAR NO.	SIZE	TYPE	LENGTH	WEIGHT	
B1	10	#9	1	42'-1"	1431
B2	4	#5	STR	39'-3"	164
B3	5	#9	1	43'-3"	735
B4	2	#5	STR	36'-6"	76
B5	5	#9	STR	36'-10"	626
B6	2	#5	STR	10'-2"	21
B7	5	#9	1	18'-6"	315
B8	25	#4	STR	8'-6"	142
B9	6	#4	STR	2'-8"	11
H1	44	#5	5	7'-5"	340
H2	36	#5	6	7'-5"	278
K1	36	#4	STR	26'-9"	643
K2	8	#4	STR	2'-6"	13
S1	32	#5	2	7'-10"	261
S2	26	#5	2	9'-5"	255
S3	18	#5	2	11'-1"	208
S4	76	#5	3	3'-7"	284
T1	14	#6	STR	40'-8"	855
T2	117	#6	STR	6'-6"	1142
T3	21	#4	STR	27'-5"	385
T4	78	#4	STR	6'-6"	339
U1	70	#4	4	3'-8"	171
U2	30	#4	4	5'-8"	114
V1	140	#5	STR	7'-4"	1071
V2	22	#5	STR	10'-8"	245
V3	22	#5	STR	8'-9"	201
V4	152	#5	STR	4'-6"	713
V5	4	#5	STR	5'-6"	23

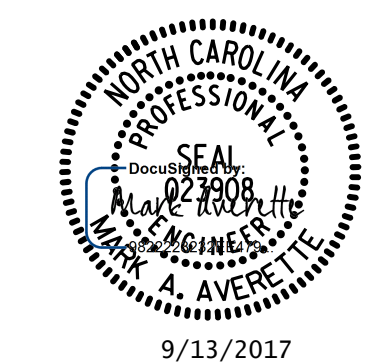
TOTAL REINFORCING STEEL 11062 LB

CLASS "A" CONCRETE BREAKDOWN	
POUR 1 (FOOTING)	50.5 CY
POUR 2 (CAP & LOWER WINGS)	31.0 CY
POUR 3 (BACKWALL & UPPER WINGS)	18.7 CY
TOTAL	100.2 CY

\$DATE\$ \$TIME\$ \$FILE\$

DRAWN BY: R. SEALEY	DATE: 8-17
CHECKED BY: M.A. AVERETTE	DATE: 8-17
DESIGN ENGINEER OF RECORD: M.A. AVERETTE	DATE: 8-17

PLANS PREPARED BY:
SIMPSON ENGINEERS & ASSOCIATES
 5640 Dillard Drive
 Suite 200
 Cary, NC 27518
 (919) 852-0468
 (919) 852-0538 (Fax)
 www.simpsonengr.com
 LICENSURE NO. C-2521



**DOCUMENT NOT CONSIDERED FINAL
UNLESS ALL SIGNATURES COMPLETED**

PROJECT NO. U-2525C
GUILFORD COUNTY
 STATION: 470+43.12 -L-

SHEET 4 OF 4

STATE OF NORTH CAROLINA
 DEPARTMENT OF TRANSPORTATION
 RALEIGH
 SUBSTRUCTURE

END BENT 1

RIGHT LANE

REVISIONS

NO.	BY:	DATE:	NO.	BY:	DATE:	SHEET NO.
1			3			S9-26
2			4			TOTAL SHEETS 32