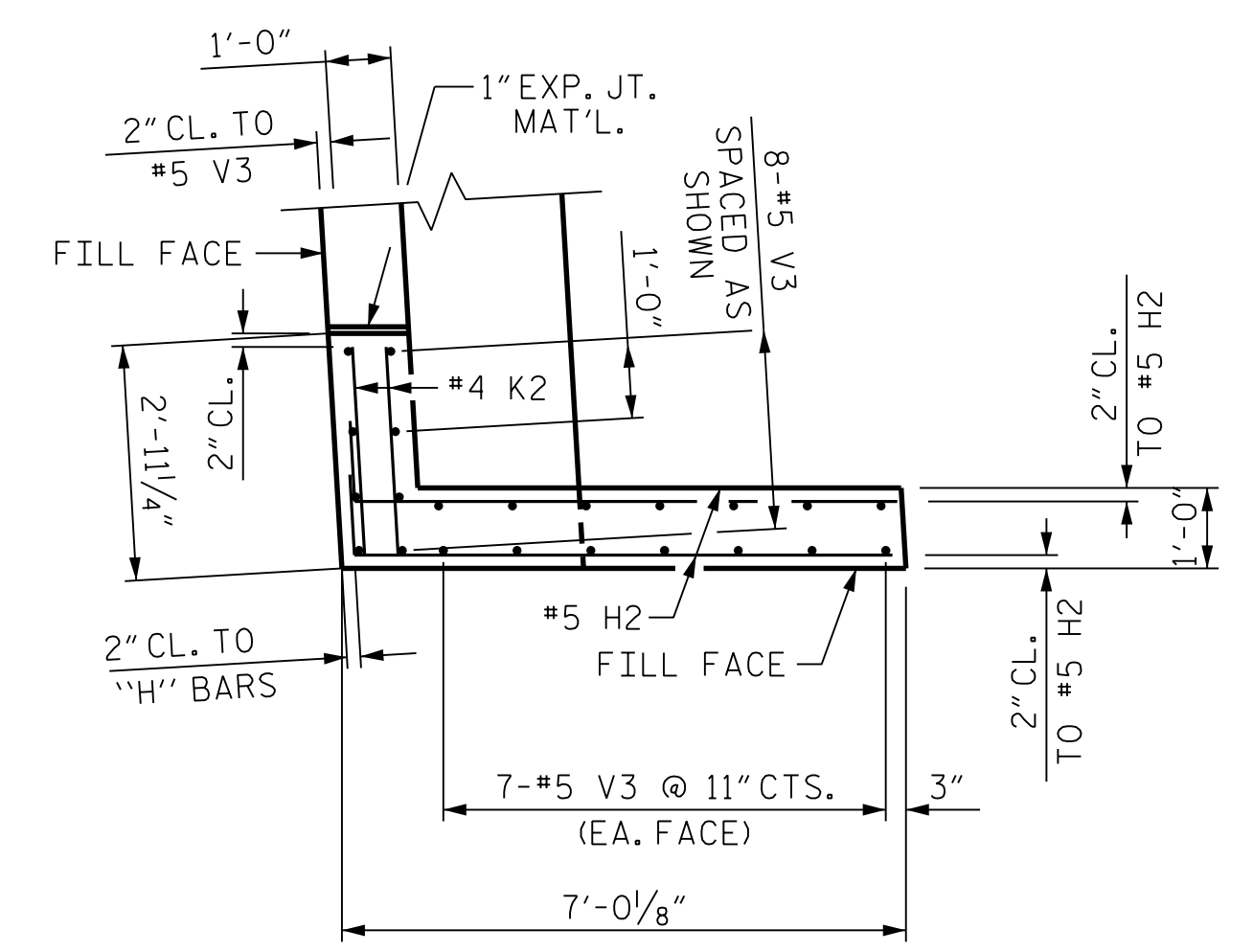
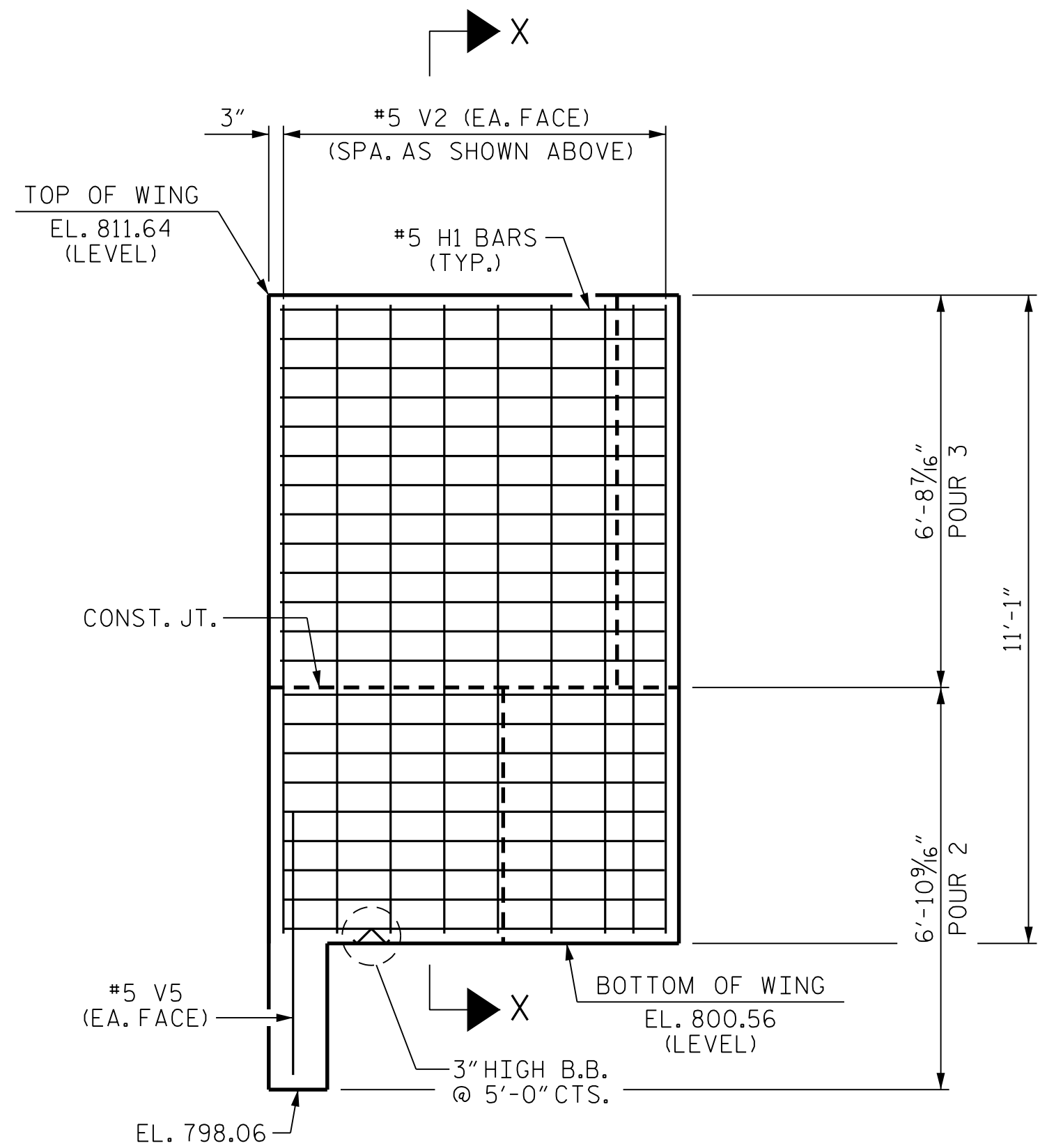


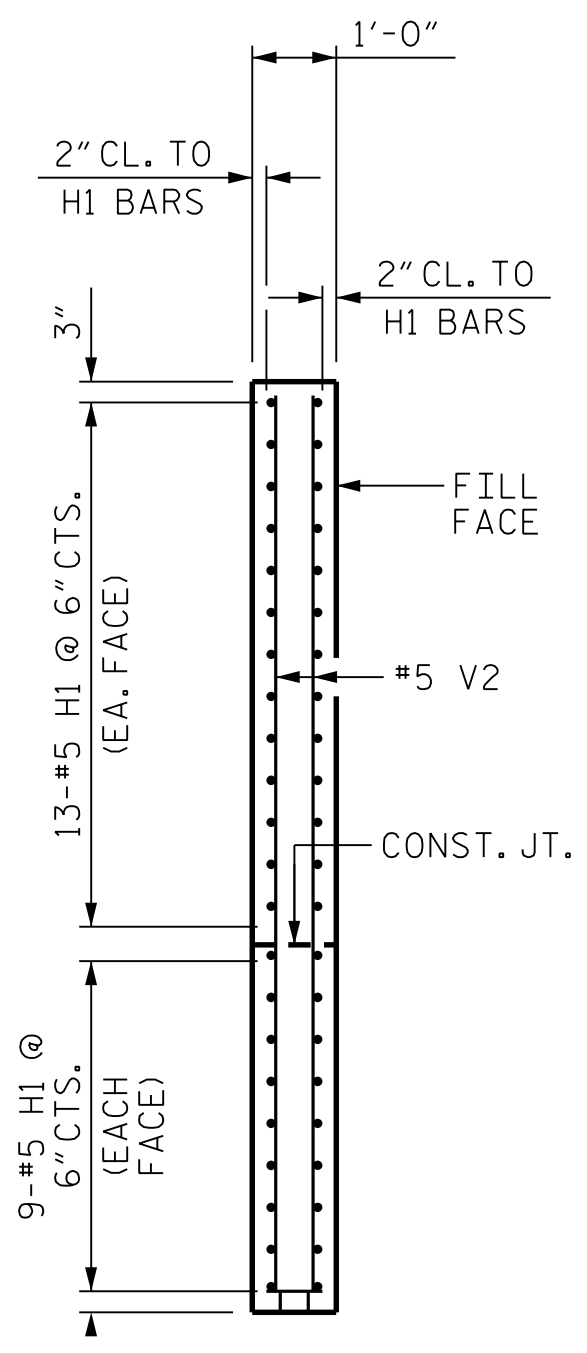
PLAN OF WING (W1)
(FOOTING NOT SHOWN FOR CLARITY)



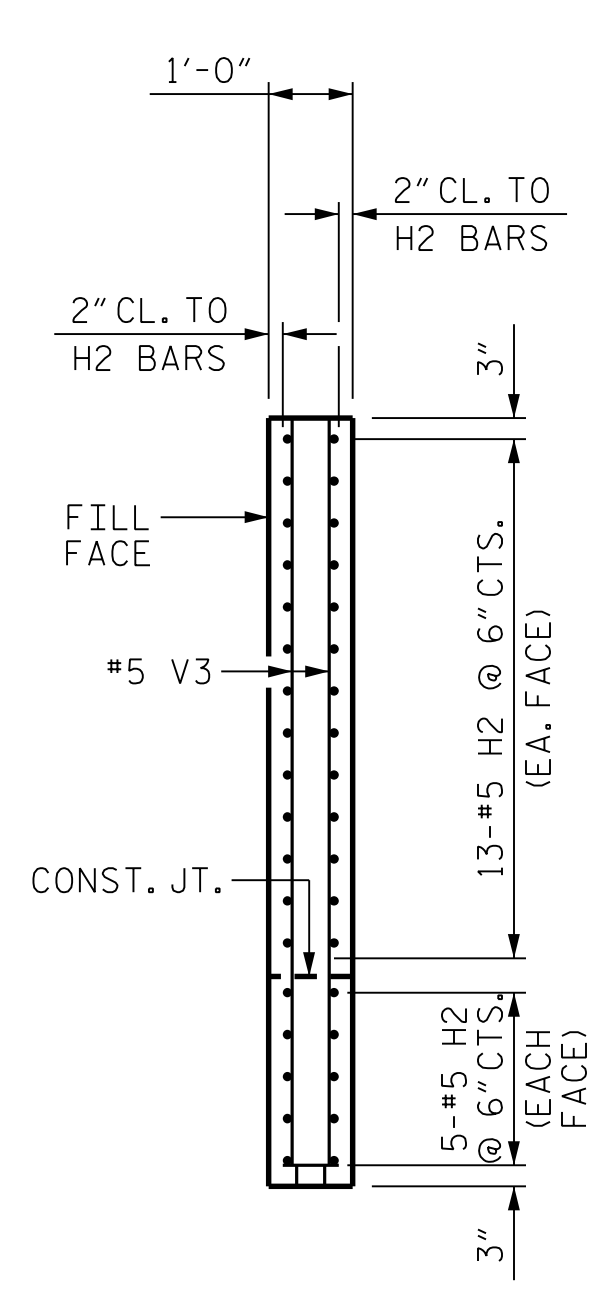
PLAN OF WING (W2)
(FOOTING NOT SHOWN FOR CLARITY)



ELEVATION OF WING (W1)
(FOOTING NOT SHOWN FOR CLARITY)



SECTION Y-Y



ELEVATION OF WING (W2)
(FOOTING NOT SHOWN FOR CLARITY)

PROJECT NO. U-2525C
GUILFORD COUNTY
 STATION: 470+43.12 -L-

SHEET 2 OF 4

STATE OF NORTH CAROLINA
 DEPARTMENT OF TRANSPORTATION
 RALEIGH
 SUBSTRUCTURE
 END BENT 1
 RIGHT LANE

REVISIONS				SHEET NO.
NO.	BY:	DATE:	NO.	DATE:
1			3	
2			4	

TOTAL SHEETS: 32

PLANS PREPARED BY:
SE & A
 SIMPSON ENGINEERS ASSOCIATES
 5640 Dillard Drive
 Suite 200
 Cary, NC 27518
 (919) 852-0468
 (919) 852-0538 (Fax)
 www.simpsonengr.com
 LICENSURE NO. C-2521



**DOCUMENT NOT CONSIDERED FINAL
 UNLESS ALL SIGNATURES COMPLETED**

DRAWN BY: R. SEALEY DATE: 8-17
 CHECKED BY: M.A. AVERETTE DATE: 8-17
 DESIGN ENGINEER OF RECORD: M.A. AVERETTE DATE: 8-17

\$DATE\$ \$TIME\$ \$FILE\$