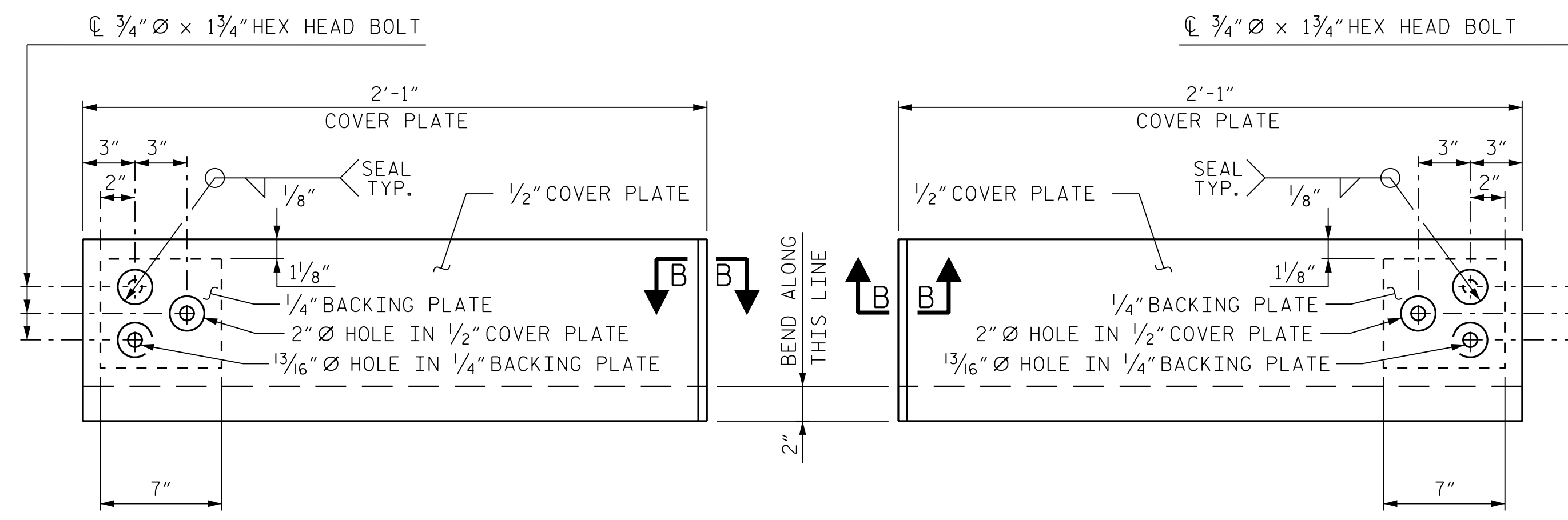
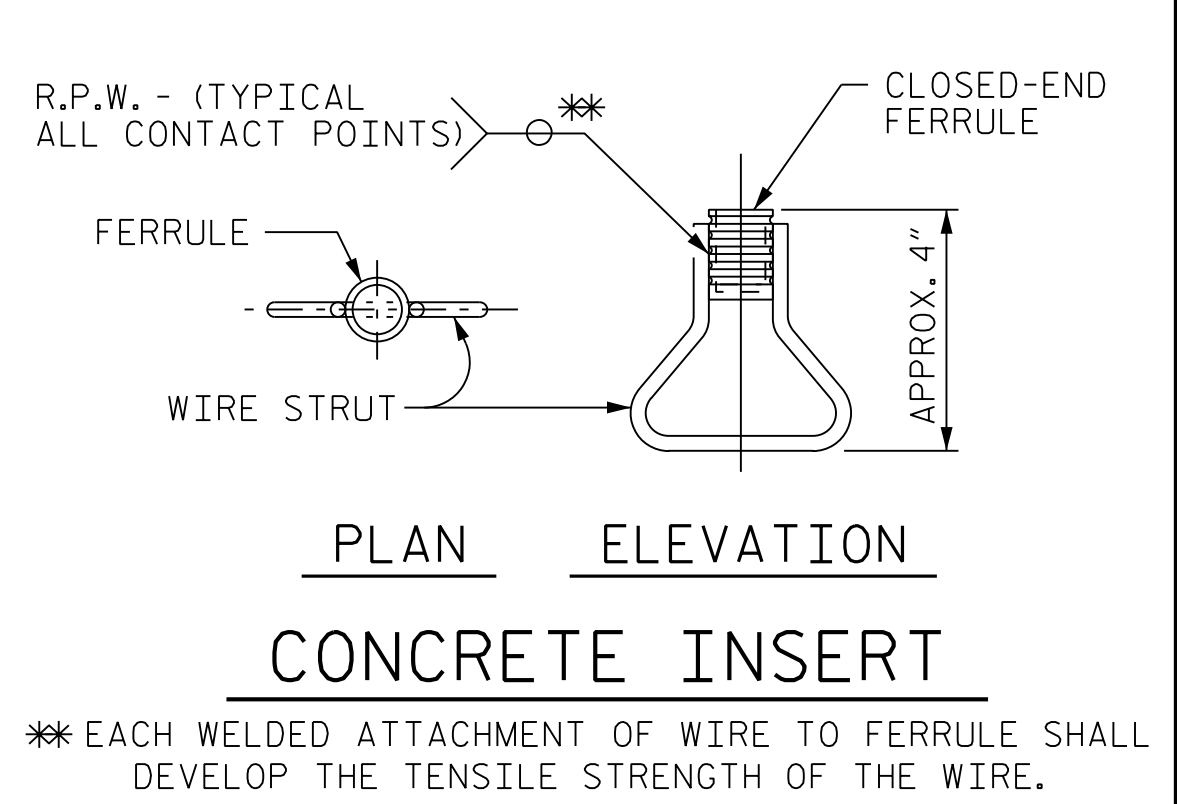


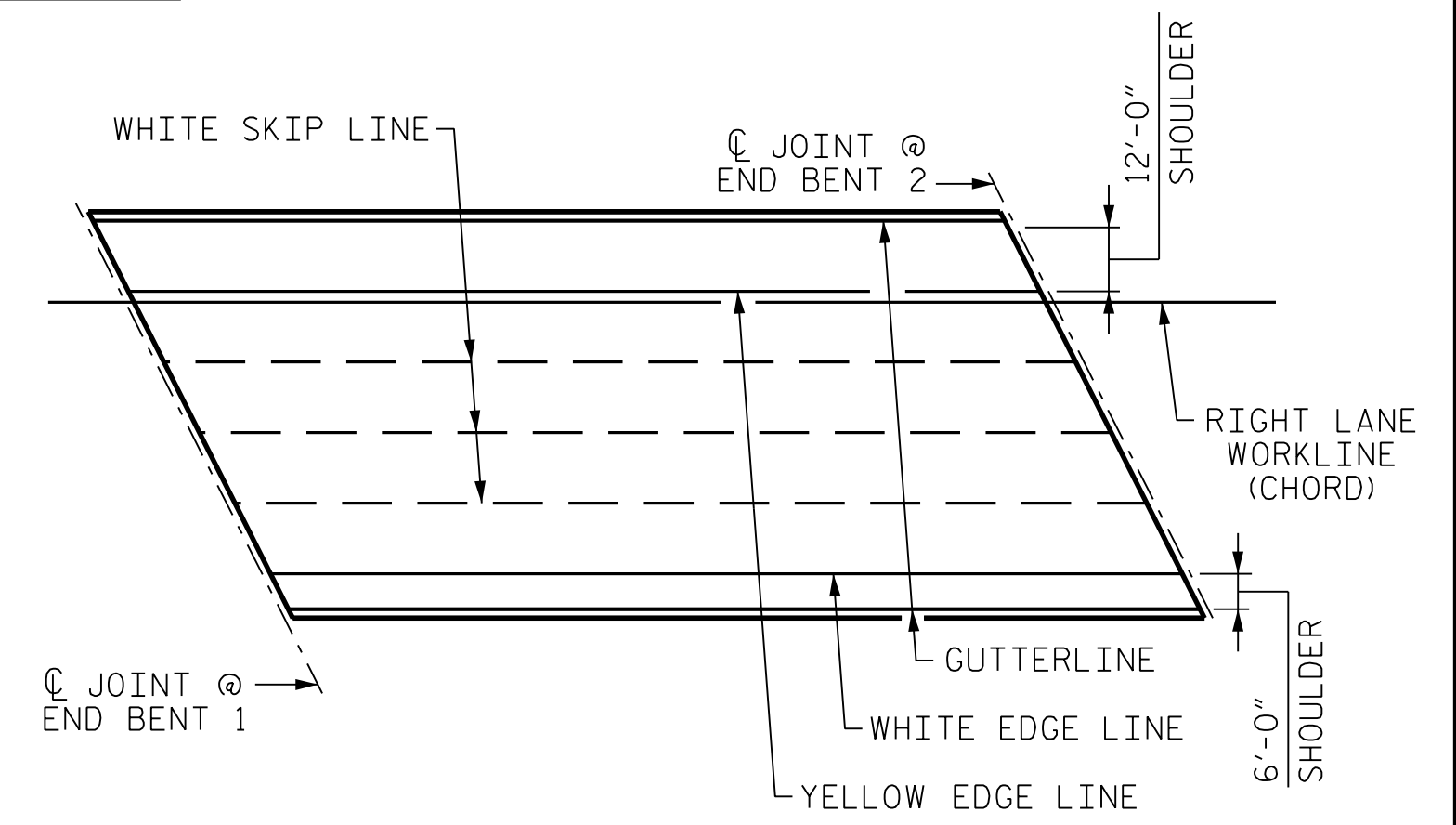
SECTION THRU RAIL NORMAL TO JOINT



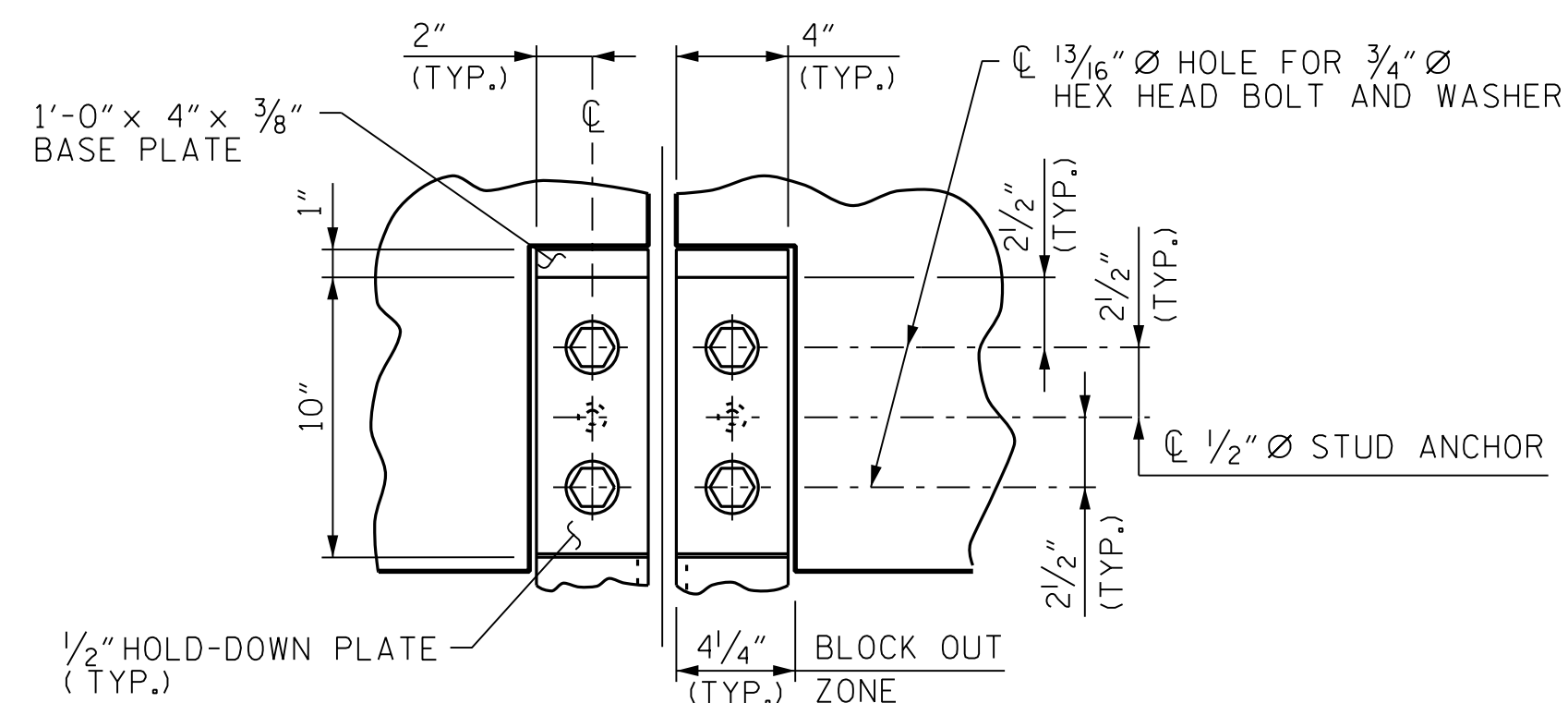
COVER PLATE DETAILS



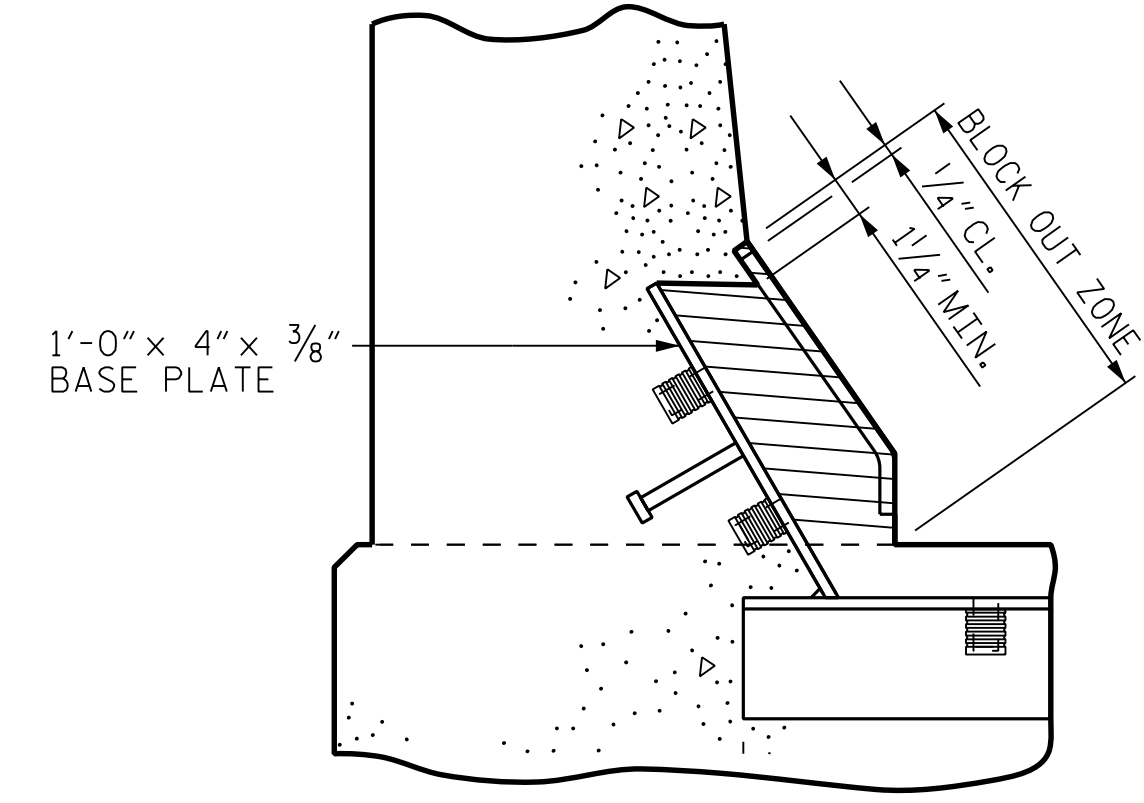
CONCRETE INSERT



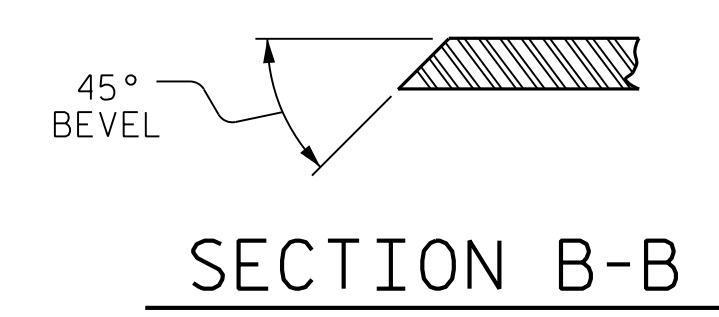
PAVEMENT MARKING ALIGNMENT



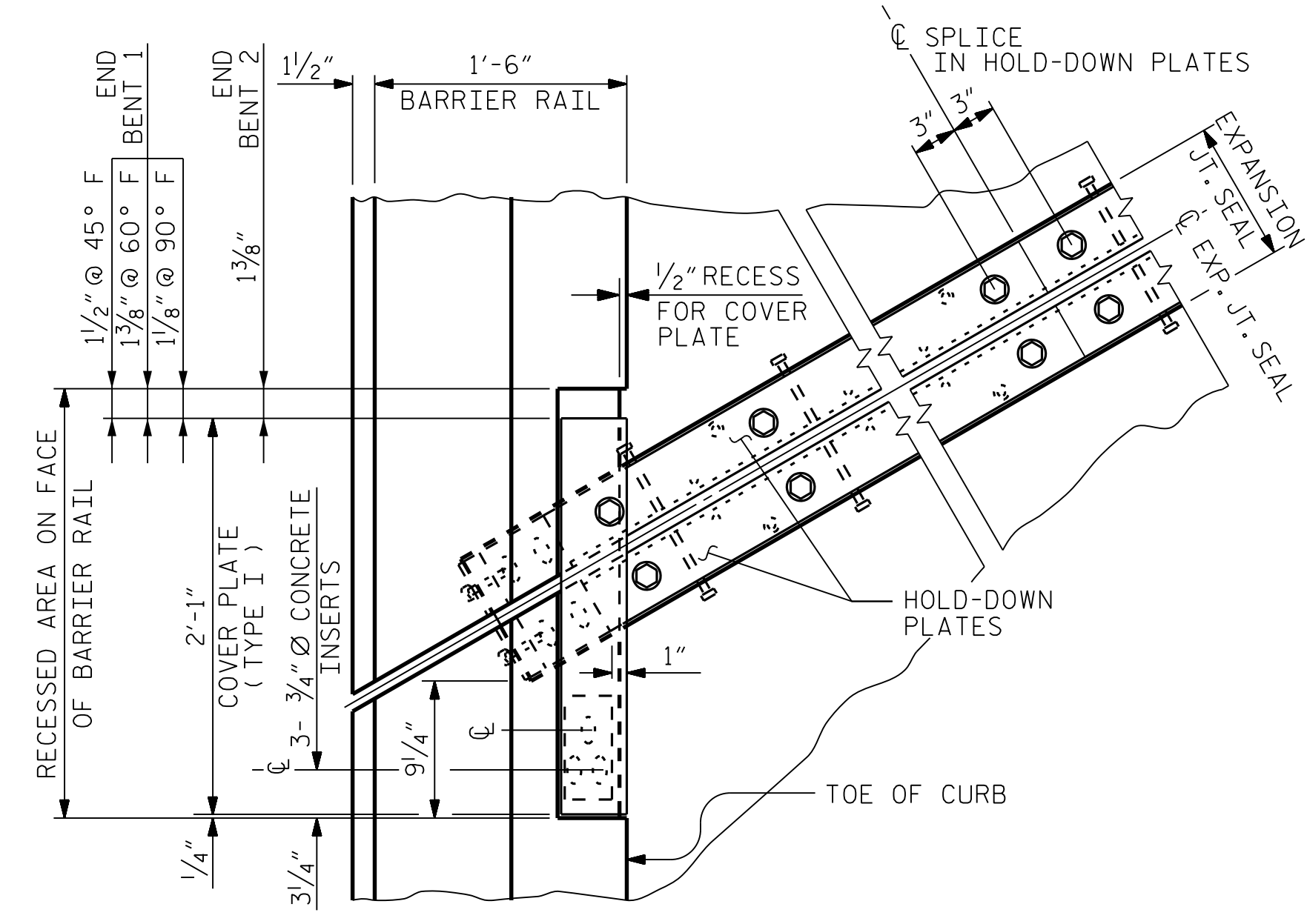
SECTION A-A



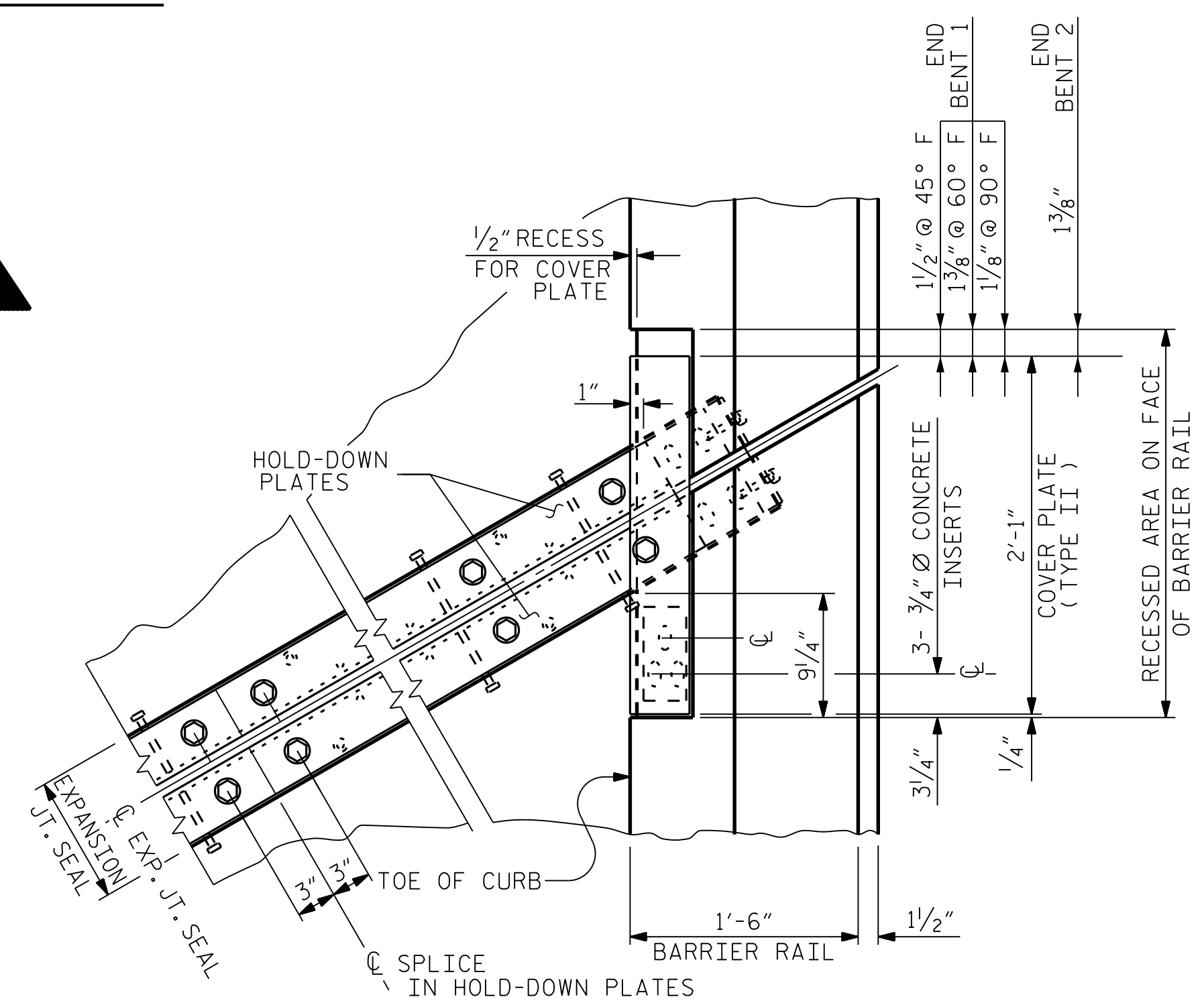
BLOCK OUT DETAIL



SECTION B-B



PLAN OF EXPANSION JOINT SEAL



PROJECT NO. U-2525C
GUILFORD COUNTY
 STATION: 470+43.12 -L-
 SHEET 2 OF 2

PLANS PREPARED BY:
SIMPSON ENGINEERS & ASSOCIATES
 5640 Dillard Drive
 Suite 200
 Cary, NC 27518
 (919) 852-0468
 (919) 852-0538 (Fax)
 www.simpsonengr.com
 LICENSURE NO. C-2521



STATE OF NORTH CAROLINA
 DEPARTMENT OF TRANSPORTATION
 RALEIGH
 SUPERSTRUCTURE
EXPANSION JOINT SEAL DETAILS
 RIGHT LANE

REVISIONS				SHEET NO.
NO.	BY:	DATE:	NO.	DATE:
1			3	
2			4	

TOTAL SHEETS: 32

DRAWN BY: S.D. COOPER DATE: 8-17
 CHECKED BY: M.A. AVERETTE DATE: 8-17
 DESIGN ENGINEER OF RECORD: M.A. AVERETTE DATE: 8-17

DOCUMENT NOT CONSIDERED FINAL
 UNLESS ALL SIGNATURES COMPLETED