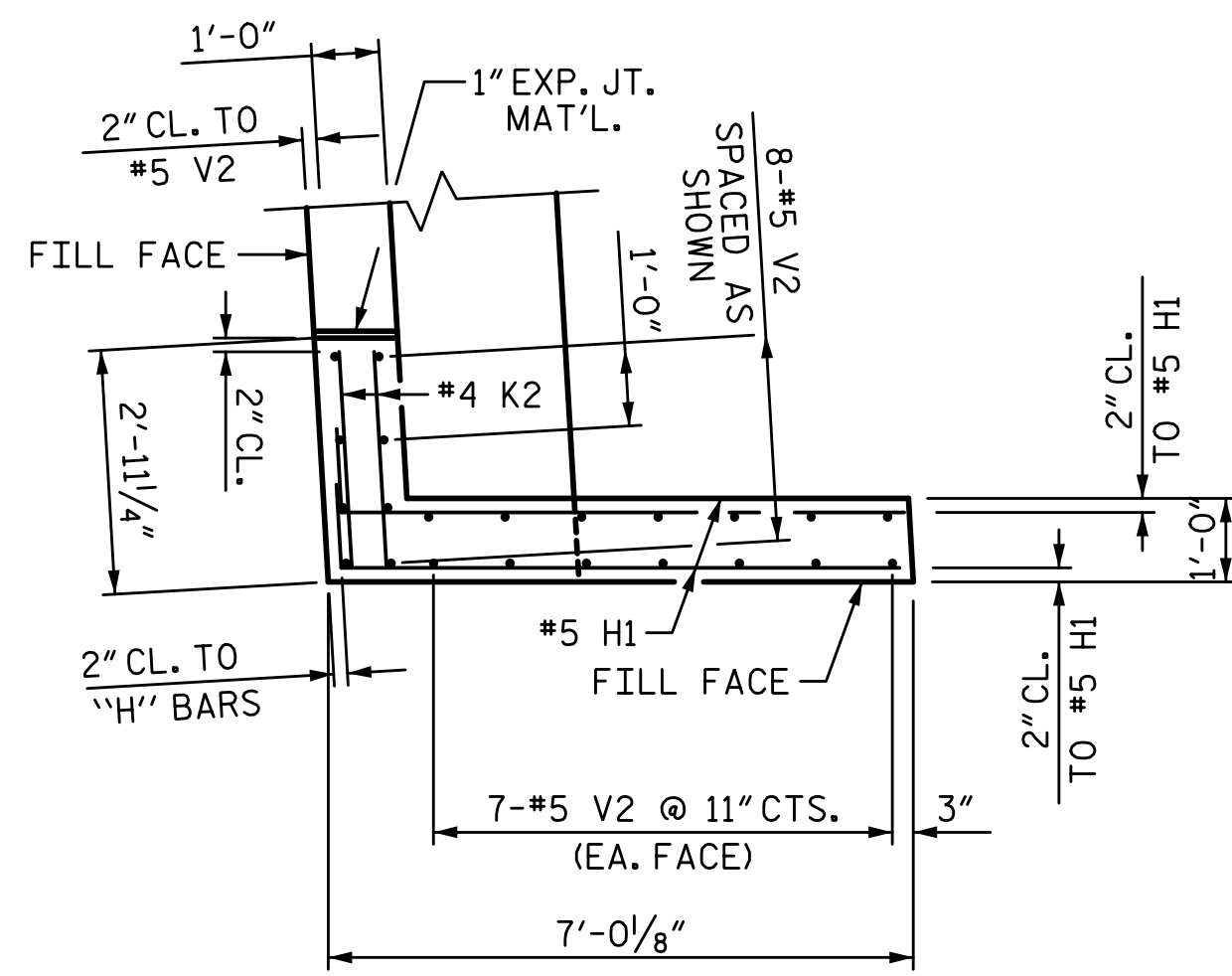
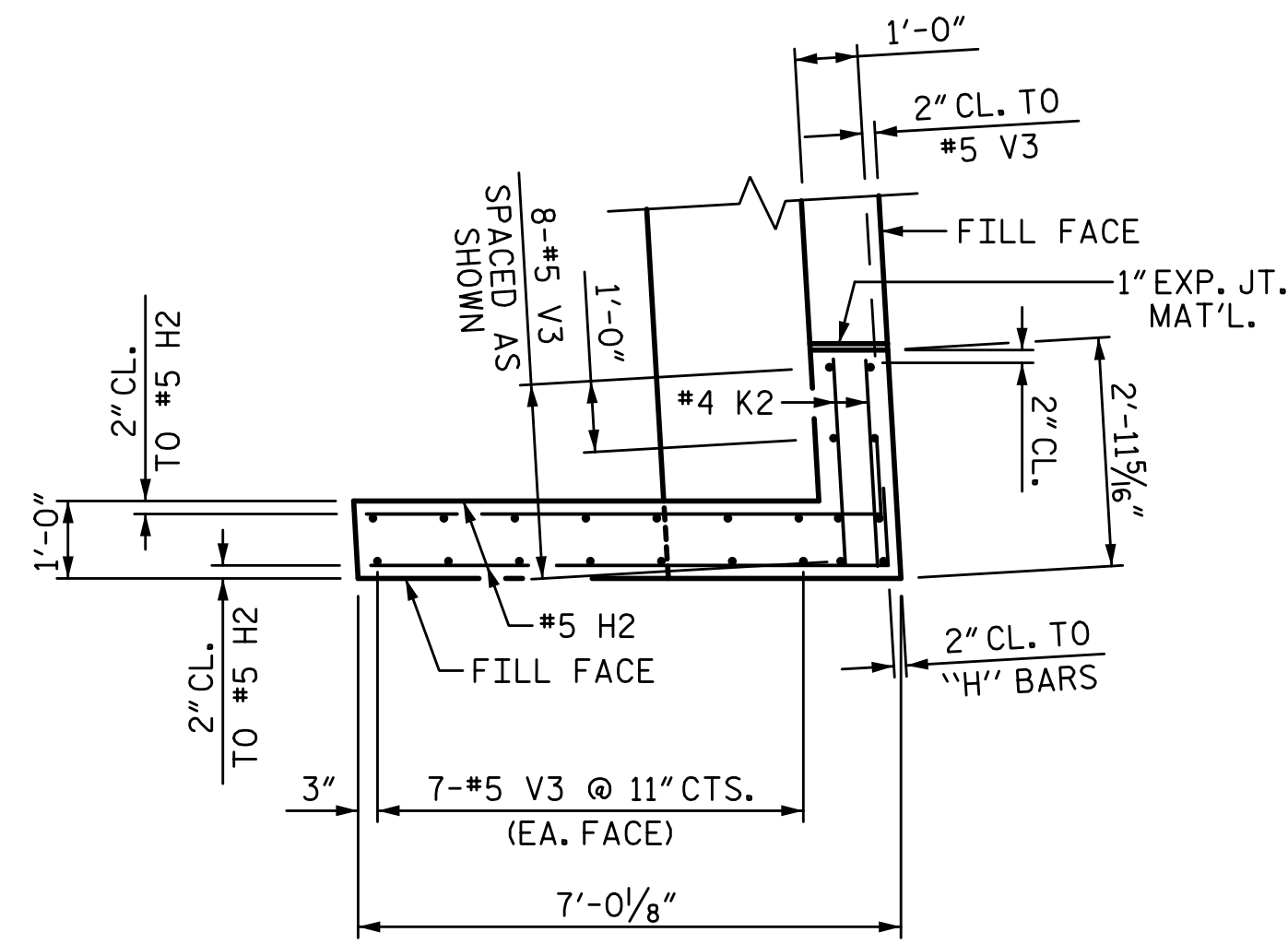


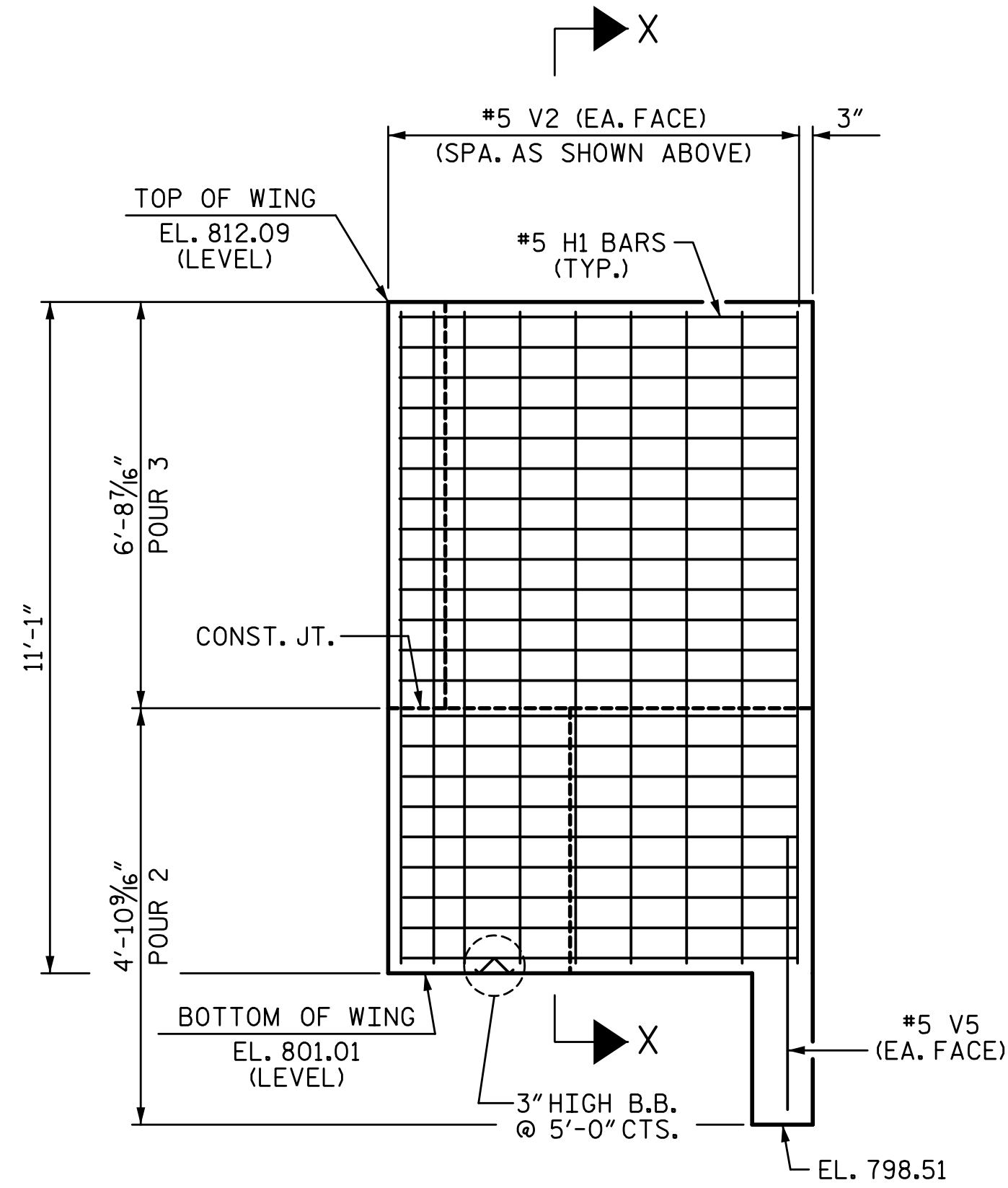
9/13/2017 1:16:38 PM G:\Projects\2016\U-2525C (Greensboro Eastern Loop)\Structures\Site 8\Drawings\Final\Left Lane\U2525C_SMU_EB2_Site 8_L1.dgn



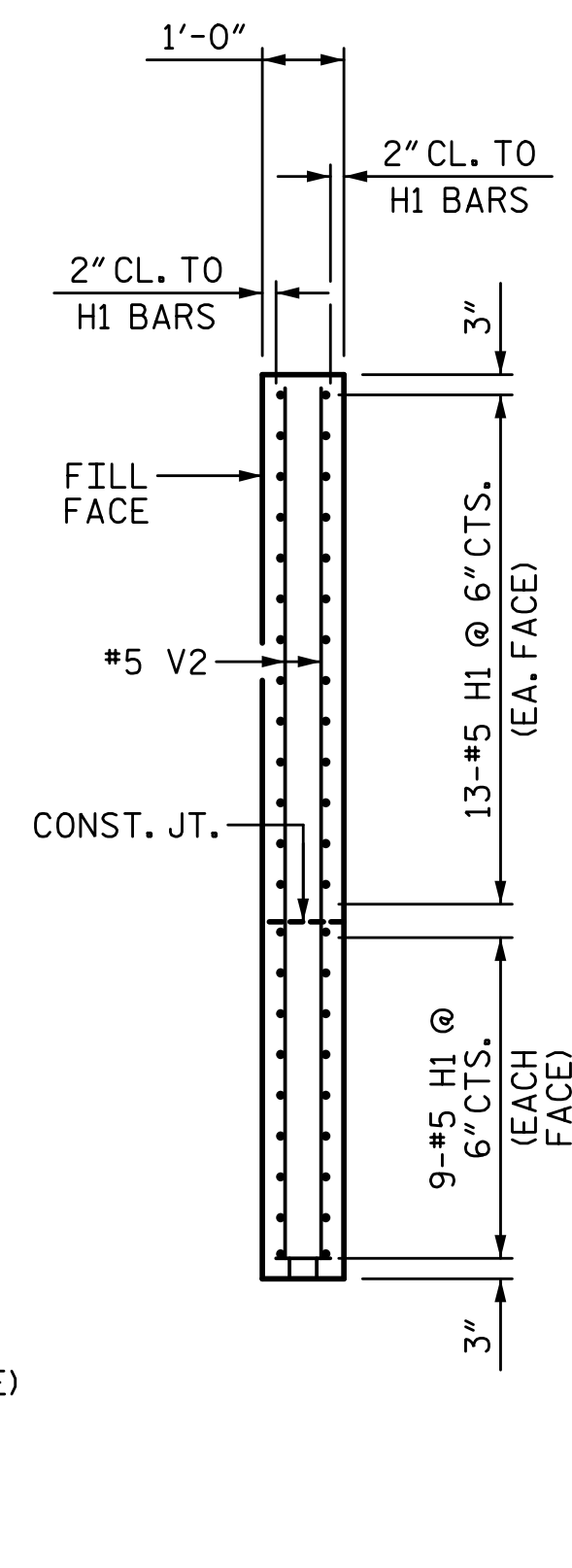
PLAN OF WING (W1)
(FOOTING NOT SHOWN FOR CLARITY)



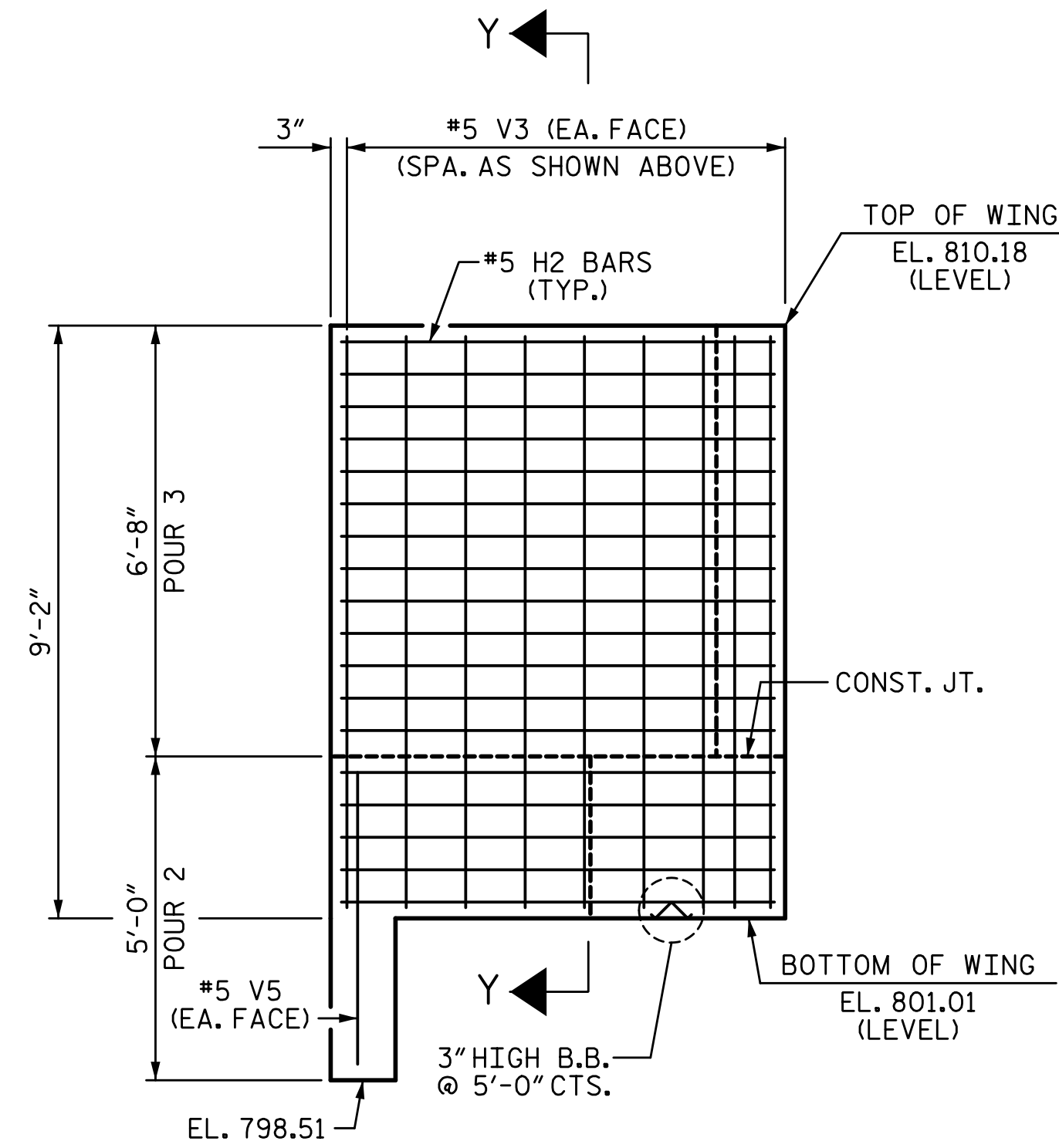
PLAN OF WING (W2)
(FOOTING NOT SHOWN FOR CLARITY)



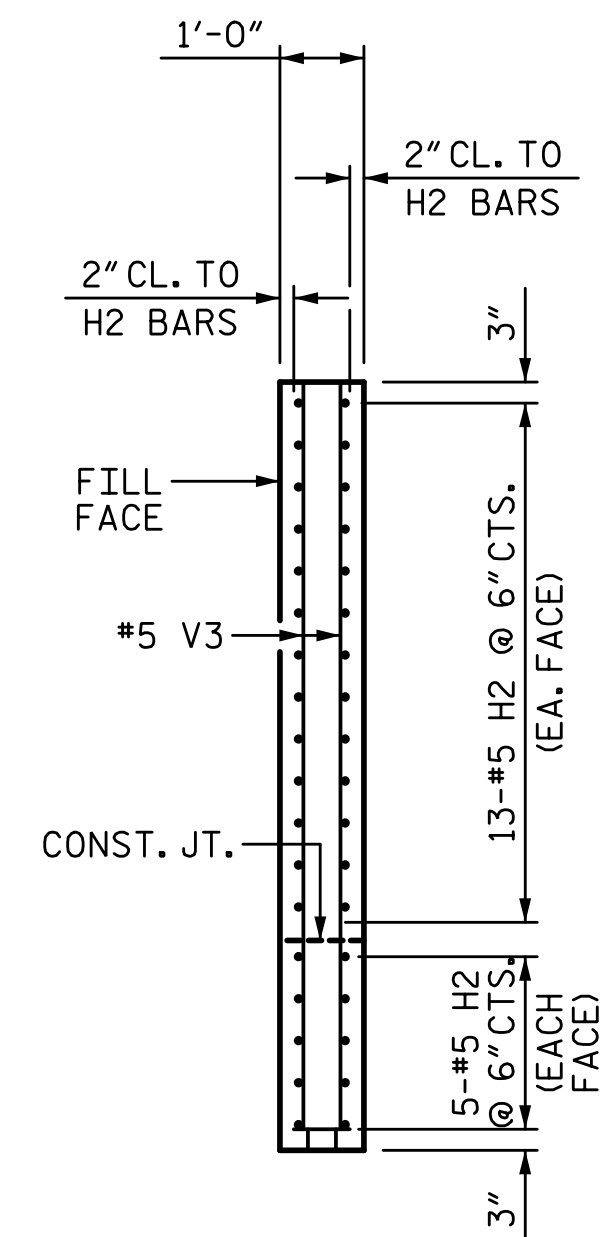
ELEVATION OF WING (W1)
(FOOTING NOT SHOWN FOR CLARITY)



SECTION X-X



ELEVATION OF WING (W2)
(FOOTING NOT SHOWN FOR CLARITY)



SECTION Y-Y

PROJECT NO. U-2525C
GUILFORD COUNTY
 STATION: 470+43.12 -L-

SHEET 2 OF 4

STATE OF NORTH CAROLINA
 DEPARTMENT OF TRANSPORTATION
 RALEIGH
 SUBSTRUCTURE

END BENT 2

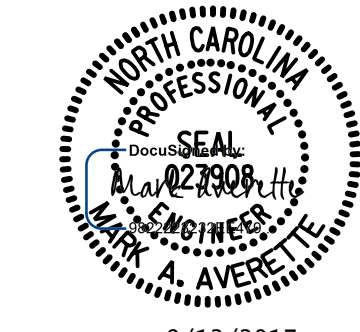
LEFT LANE

REVISIONS

NO.	BY:	DATE:	NO.	BY:	DATE:	SHEET NO.
1			3			S8-28
2			4			TOTAL SHEETS 32

PLANS PREPARED BY:

S&A
 IMPSON ENGINEERS ASSOCIATES
 5640 Dillard Drive
 Suite 200
 Cary, NC 27518
 (919) 852-0468
 (919) 852-0598 (Fax)
 www.simpsonengr.com
 LICENSURE NO. C-2521



9/13/2017

**DOCUMENT NOT CONSIDERED FINAL
 UNLESS ALL SIGNATURES COMPLETED**

DRAWN BY: R. SEALEY DATE: 8-17
 CHECKED BY: M.A. AVERETTE DATE: 8-17
 DESIGN ENGINEER OF RECORD: M.A. AVERETTE DATE: 8-17