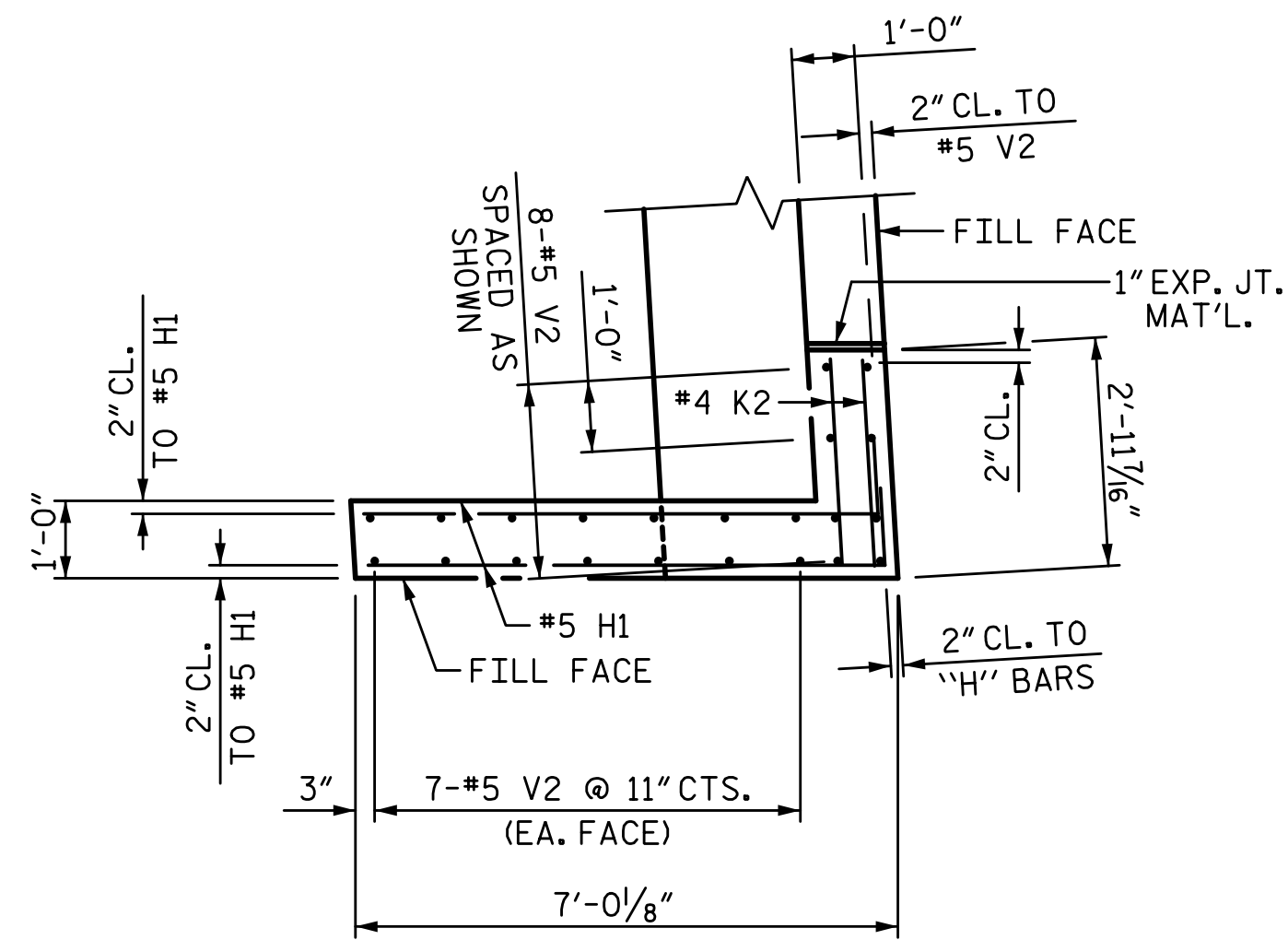
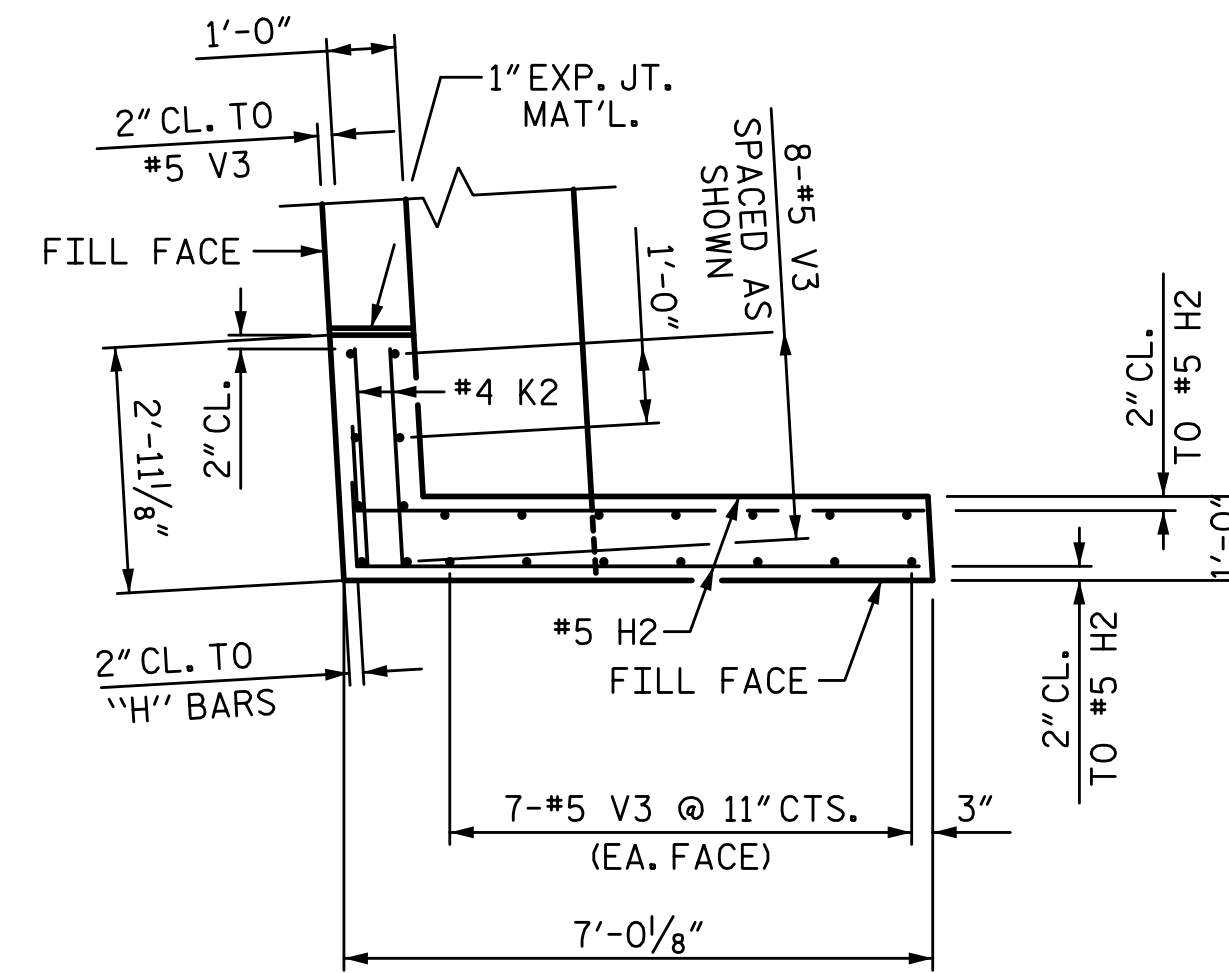


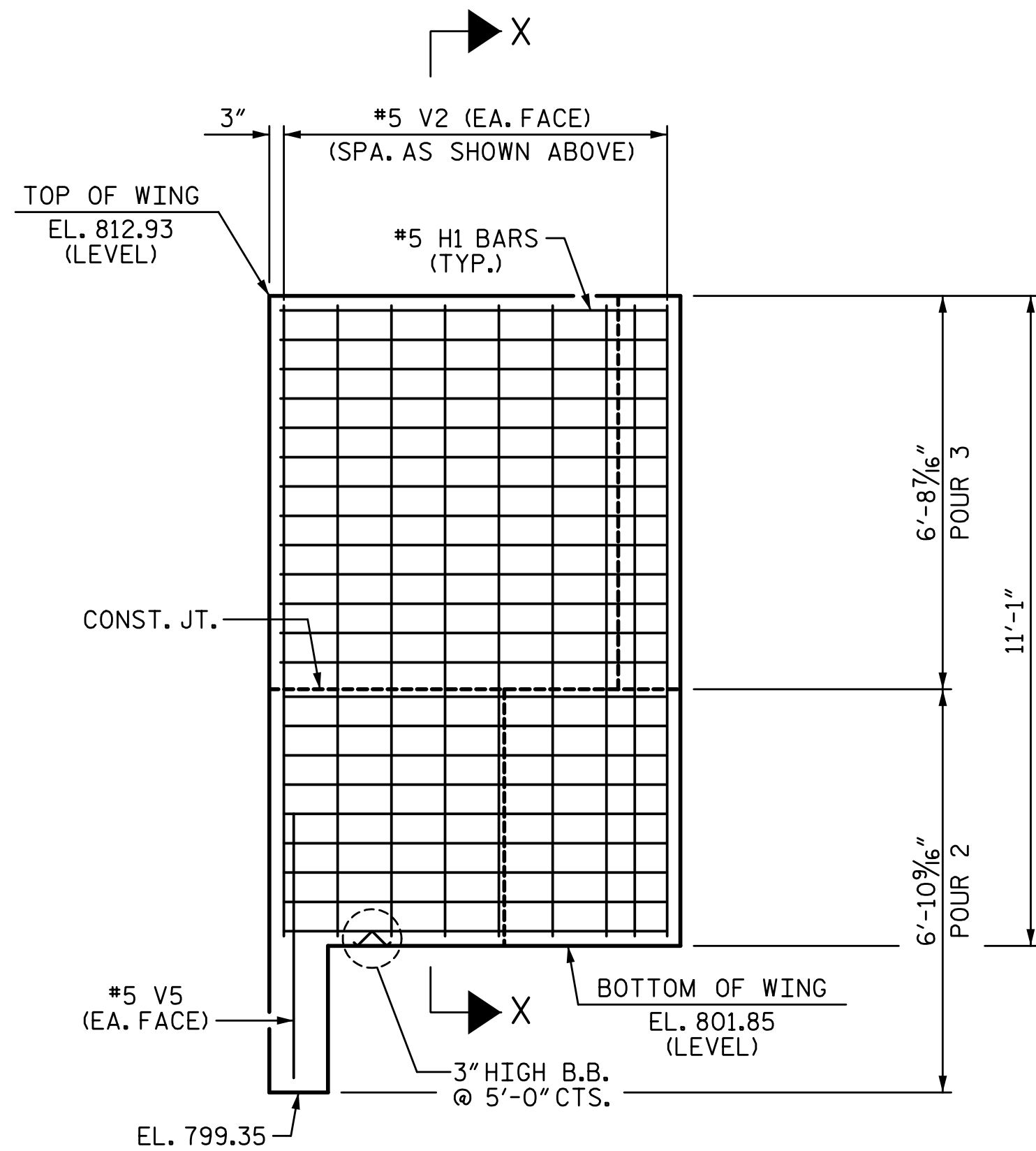
9/13/2017 1:16:37 PM G:\Projects\2016\U-2525C (Greensboro Eastern Loop)\Structures\Site 8\Drawings\Final\Left Lane\U2525C_SMU_EB1_Site 8_L.T.dgn



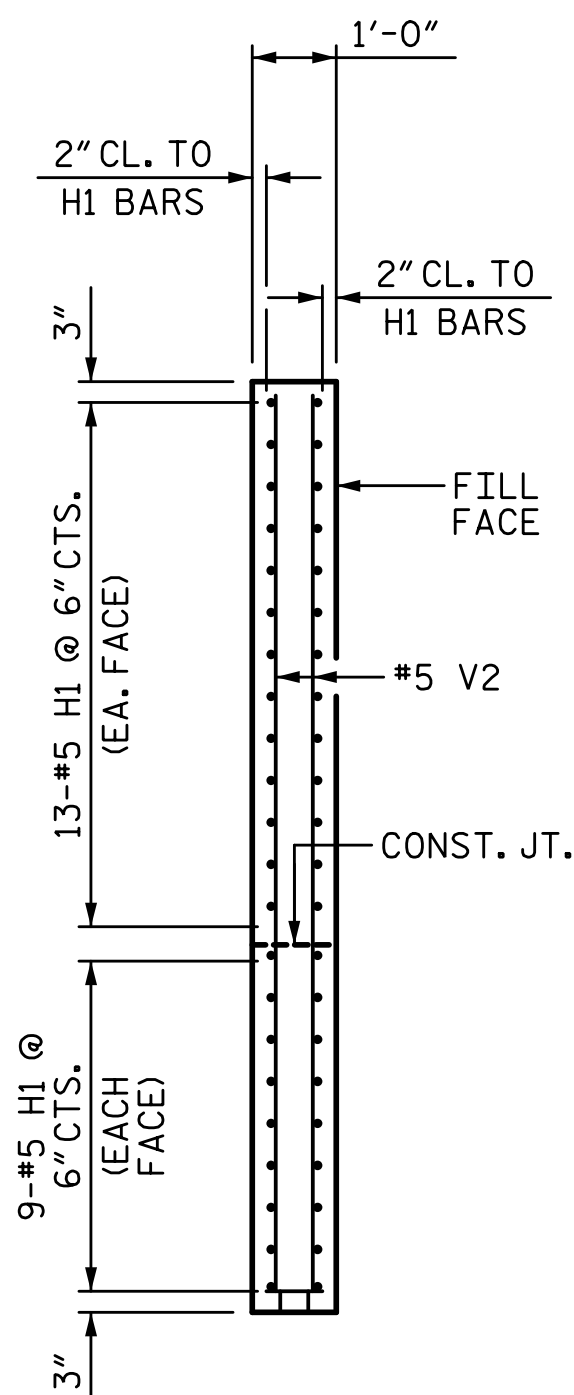
PLAN OF WING (W1)
(FOOTING NOT SHOWN FOR CLARITY)



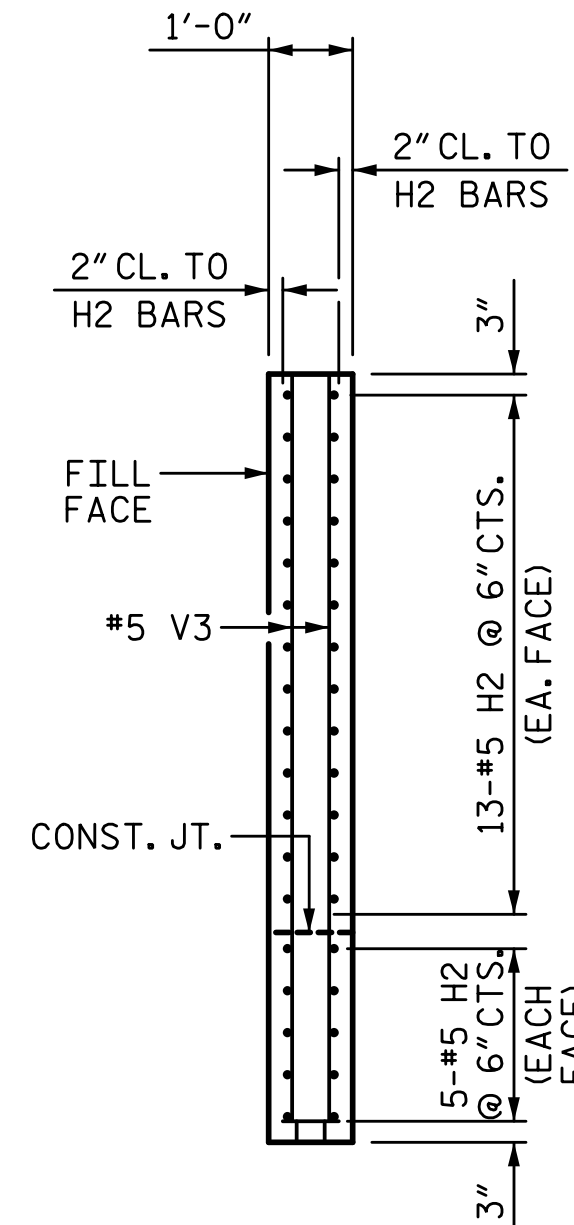
PLAN OF WING (W2)
(FOOTING NOT SHOWN FOR CLARITY)



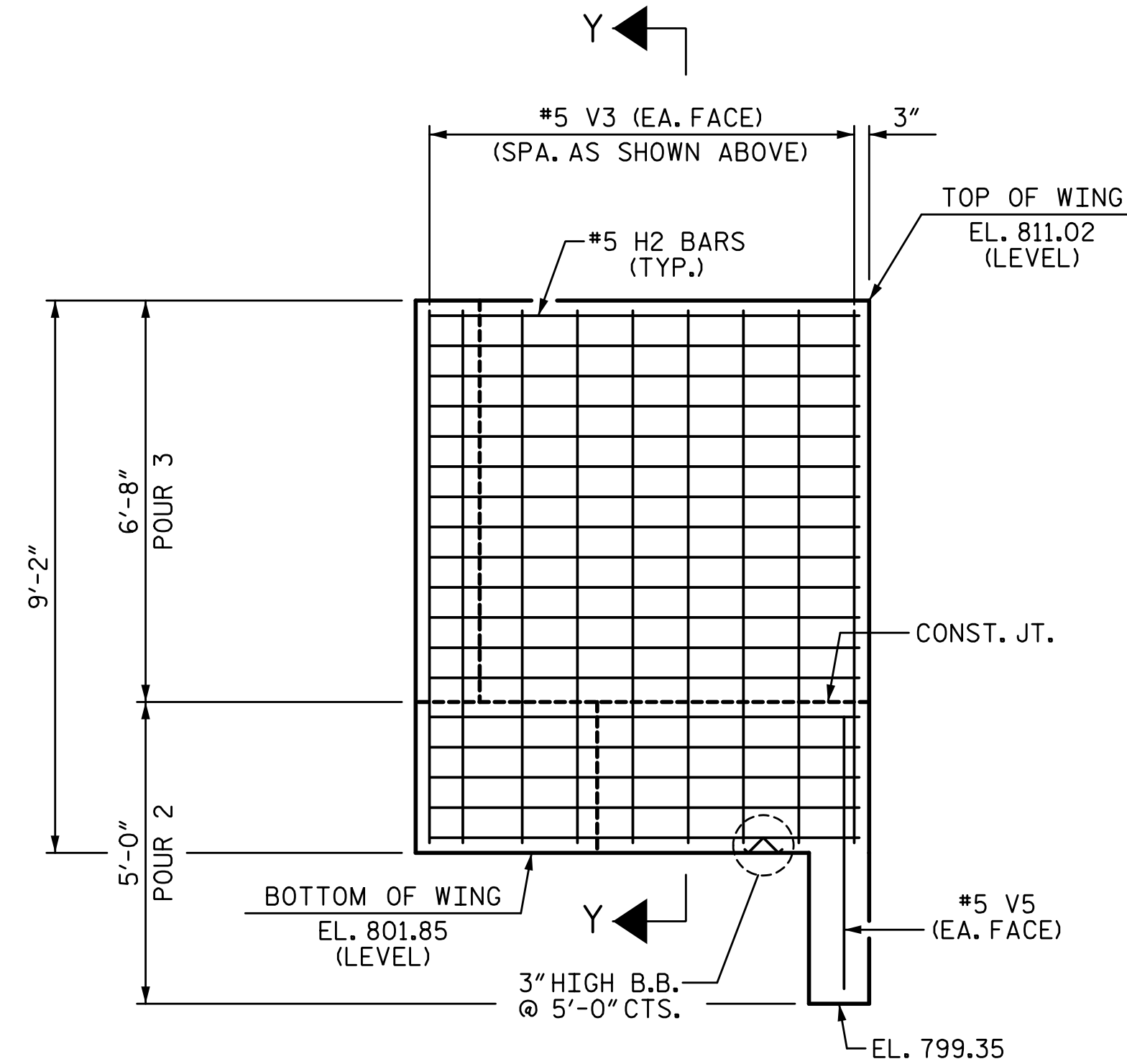
ELEVATION OF WING (W1)
(FOOTING NOT SHOWN FOR CLARITY)



SECTION X-X



SECTION Y-Y



ELEVATION OF WING (W2)
(FOOTING NOT SHOWN FOR CLARITY)

PROJECT NO. U-2525C
GUILFORD COUNTY
 STATION: 470+43.12 -L-

SHEET 2 OF 4

STATE OF NORTH CAROLINA DEPARTMENT OF TRANSPORTATION RALEIGH					
SUBSTRUCTURE					
END BENT 1					
LEFT LANE					
REVISIONS					
NO.	BY:	DATE:	NO.	BY:	DATE:
1			3		
2			4		
					SHEET NO. S8-24
					TOTAL SHEETS 32

PLANS PREPARED BY:
SE & A
 IMPSON ENGINEERS ASSOCIATES
 5640 Dillard Drive
 Suite 200
 Cary, NC 27518
 (919) 852-0468
 (919) 852-0538 (Fax)
 www.slmpsonengr.com
 LICENSURE NO. C-2521



DRAWN BY: R. SEALEY DATE: 8-17
 CHECKED BY: M.A. AVERETTE DATE: 8-17
 DESIGN ENGINEER OF RECORD: M.A. AVERETTE DATE: 8-17

**DOCUMENT NOT CONSIDERED FINAL
 UNLESS ALL SIGNATURES COMPLETED**